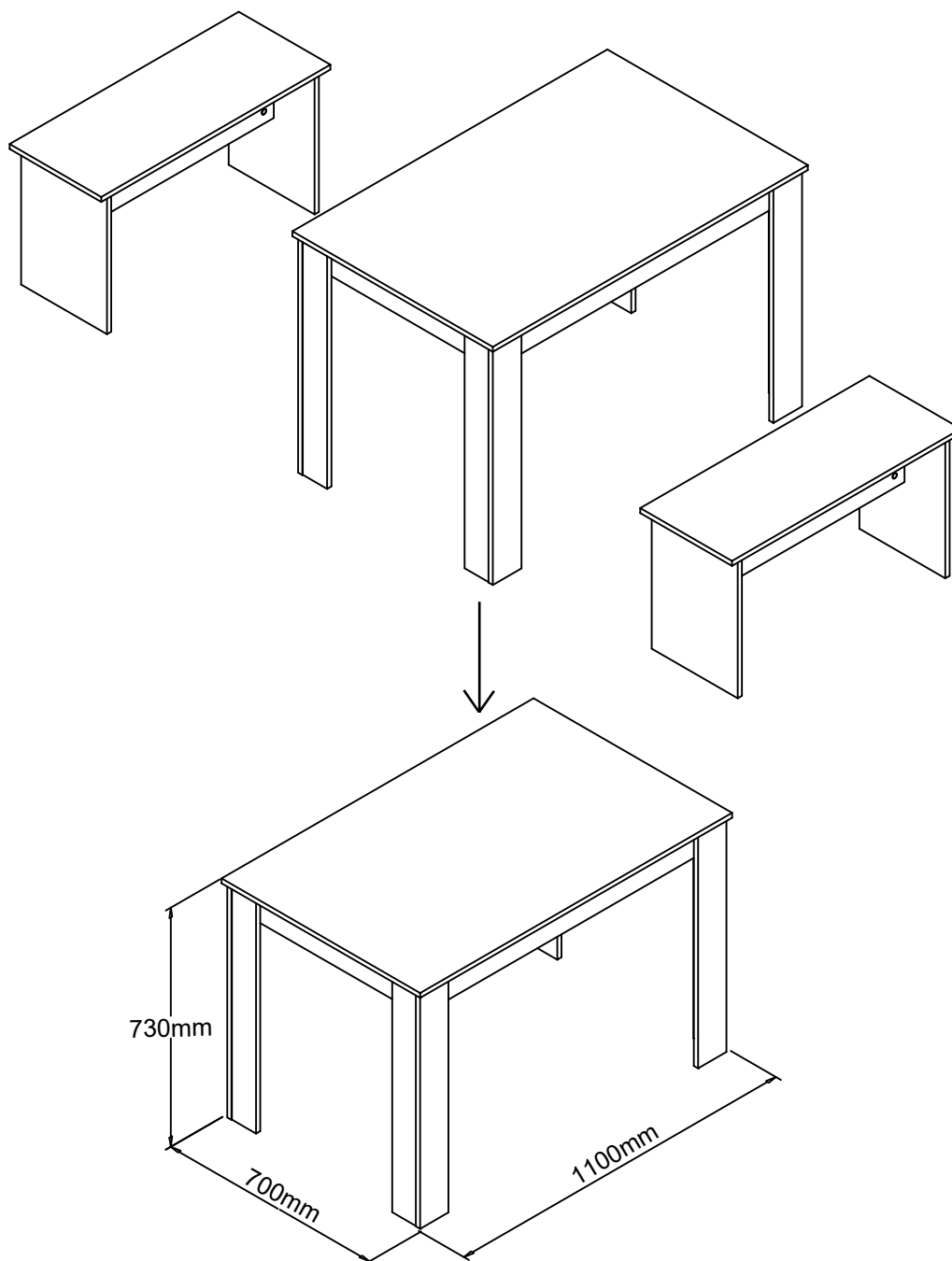


# TABLE WITH 2 BENCH SET

Assembly Instructions – Please keep for future reference



Dimensions	No. people	Assembly Time
Width: 110cm Depth: 70cm Height: 73cm		30 mins (approx.)

## Important

- PLEASE READ THESE INSTRUCTIONS FULLY BEFORE STARTING ASSEMBLY
- PLEASE DO NOT THROW THE PACKAGING AWAY UNTIL YOU ARE SATISFIED WITH PURCHASE, GOODS NEED TO BE RETURNED IN ORIGINAL PACKAGING.

# ⚠ Safety and Care Advice

**Important** – Please read these instructions fully before starting assembly

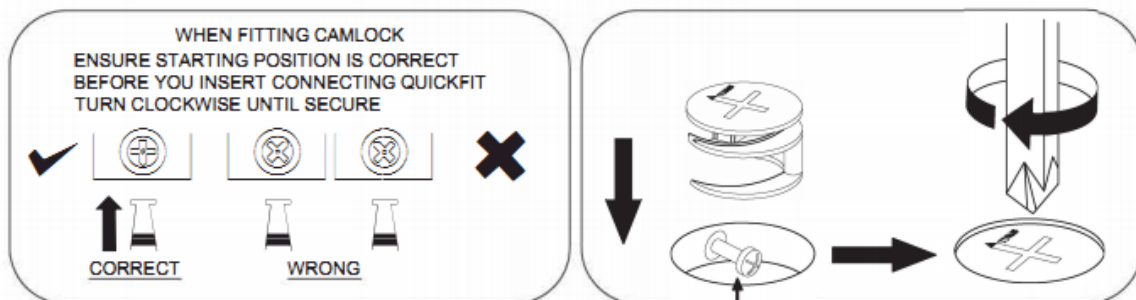
- Check you have all the components and tools listed on pages 4 and 5.
- Remove all fittings from the plastic bags and separate them into their groups.
- Keep children and animals away from the work area, small parts could choke if swallowed.
- Make sure you have enough space to lay out the parts before starting.
- Do not stand or put weight on the product, this could cause damage.
- Assemble the item as close to its final position (in the same room) as possible.
- Assemble on a soft, level surface to avoid damaging the unit or your floor.
- We do not recommend the use of power drill/drivers for inserting screws, as this could damage the unit. Only use hand screwdrivers.
- Dispose of all packaging carefully and responsibly.



## Care and Maintenance

- Only clean using a damp cloth and mild detergent, do not use bleach or abrasive cleaners.
- From time to time check that there are no loose screws on this unit.
- This product should not be discarded with household waste. Take to your local authority waste disposal centre.

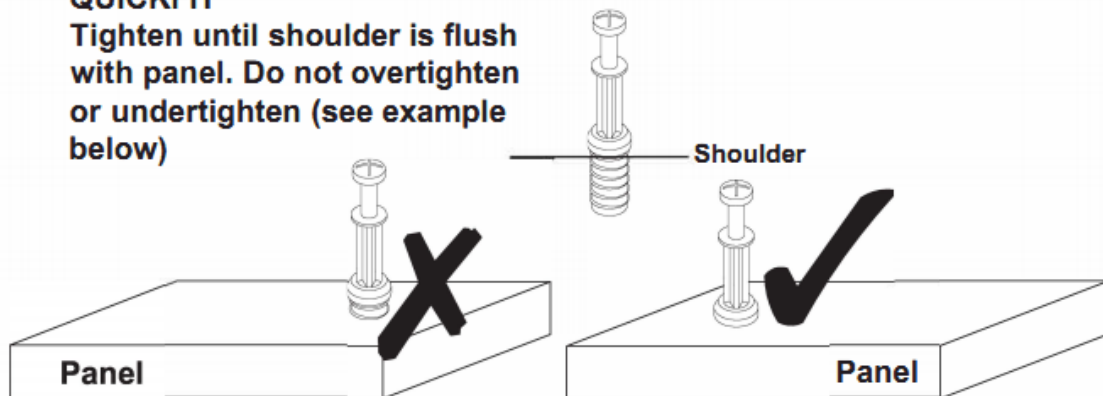
## SPECIAL TIPS FOR FITTING CAM-LOCKS AND QUICKFIT



**Quickfit head needs to be in centre**

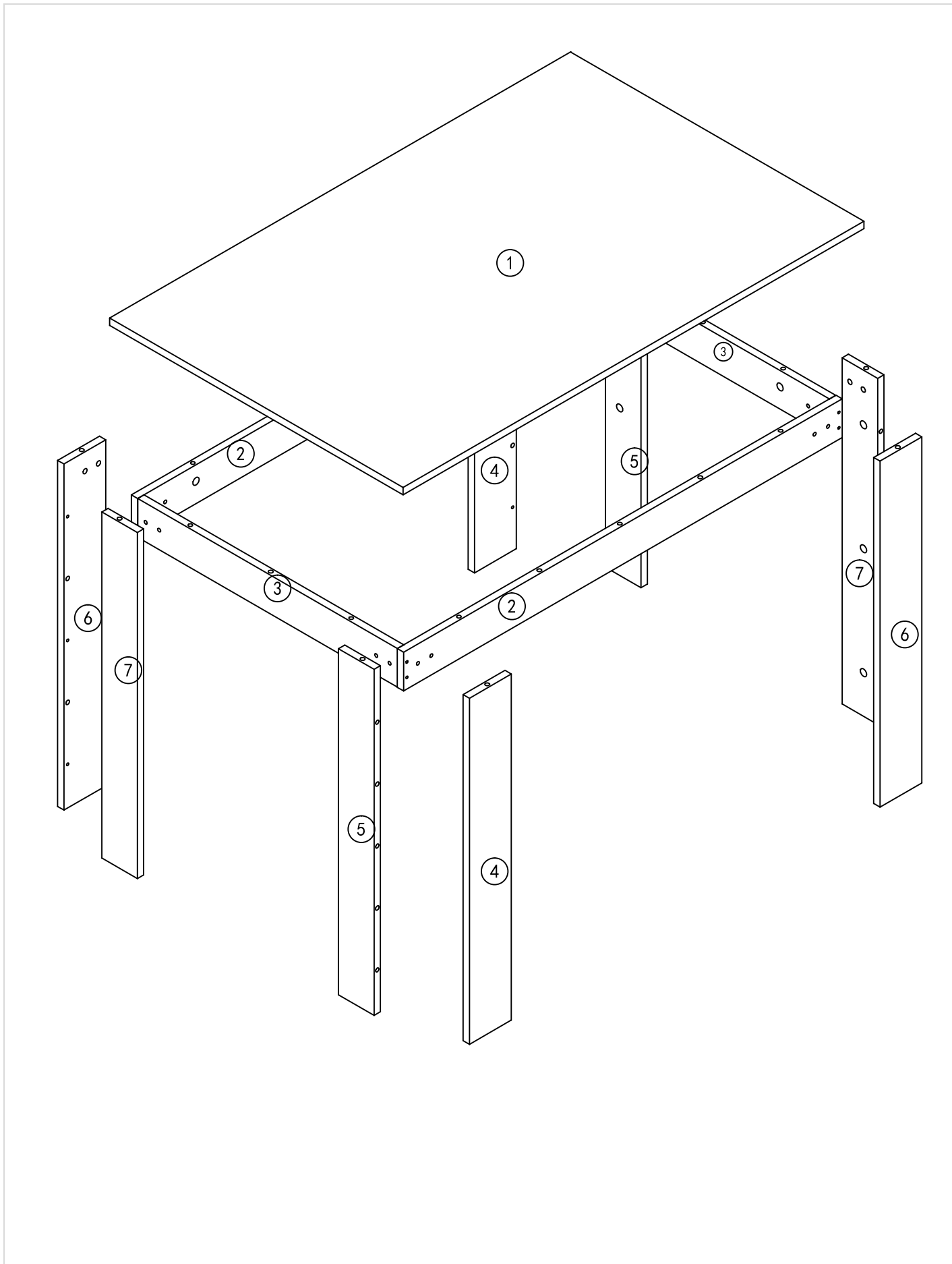
### QUICKFIT

**Tighten until shoulder is flush with panel. Do not overtighten or undertighten (see example below)**



**If you are unhappy with the product and wish to return it, please follow the retailer's returns procedure.**

# Exploded View



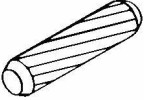

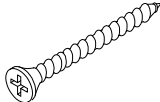
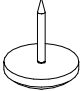




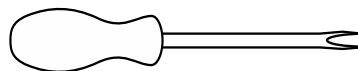
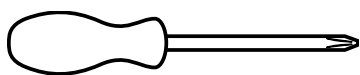
# Components - Fixings

**Please check that you have all the components listed below before constructing your item.**

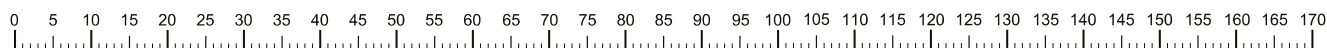
**Note:** The quantities below are the correct amount to complete the assembly. In some cases more fittings may be supplied than are required.

(A) X22		(B) X22		(C) X22		(D) X16	 6*20mm
(E) X8		(F) X8		(G) X8		(H) X8	
(I) X4		(J)		(K)		(L)	
(M)		(N)		(O)		(P)	
(Q)		(R)		(S)		(T)	
(U)		(V)		(W)		(X)	

## Tools Required



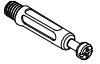
**Ruler** – Use this to measure your screws (mm)

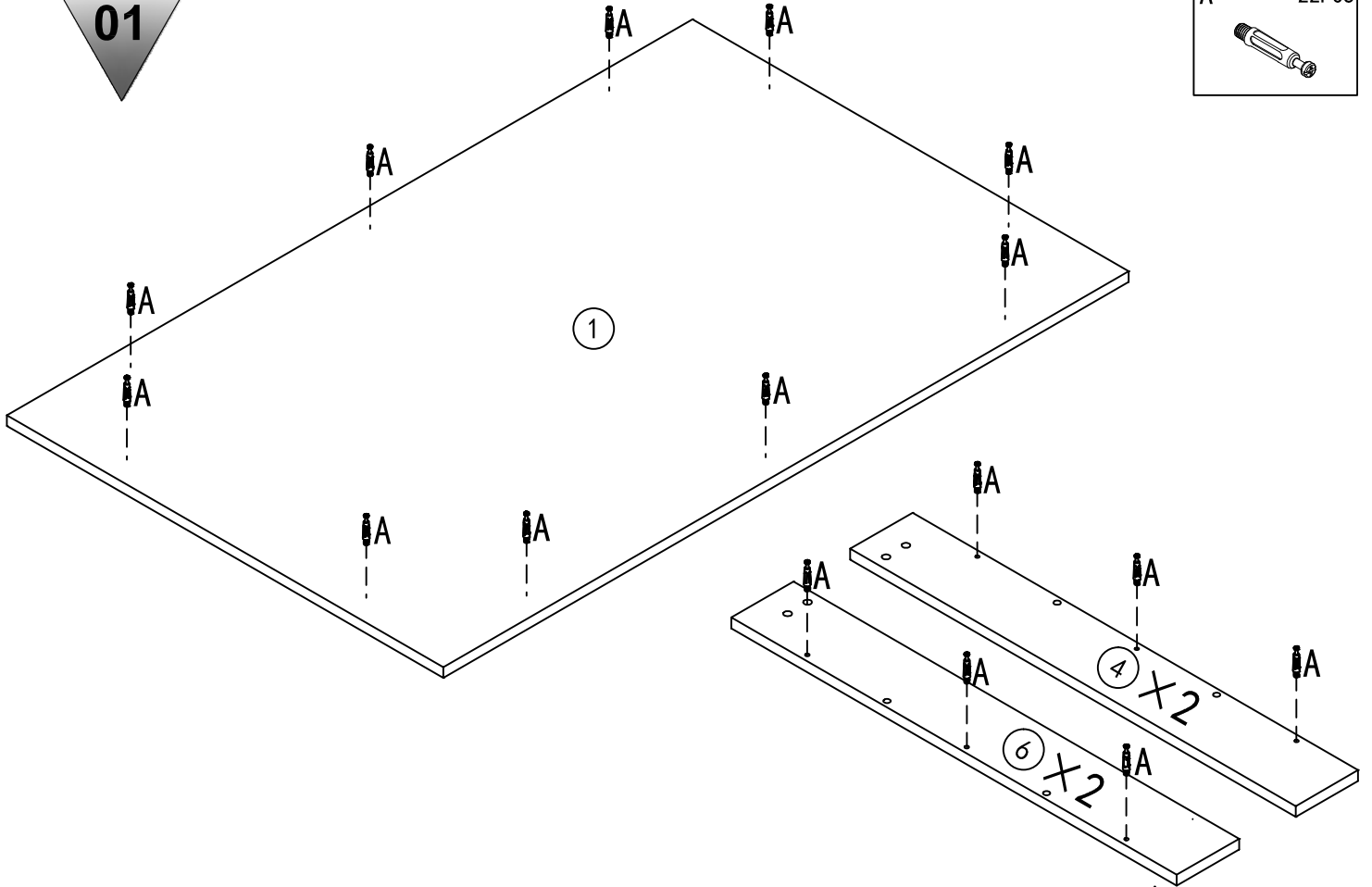


**Important** – Please read these instructions fully before starting assembly


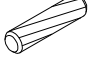

# Assembly Instructions

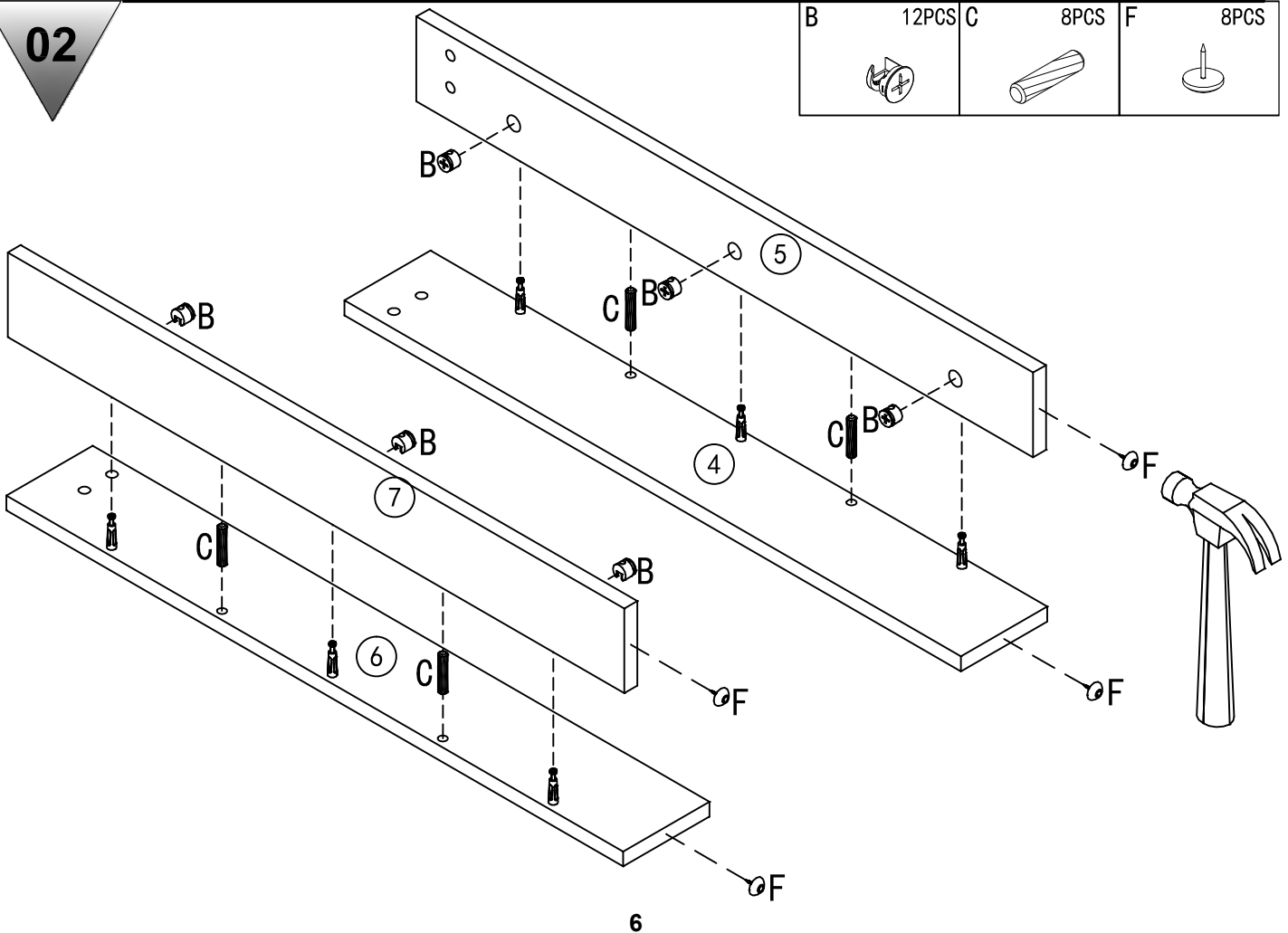
01

A	22PCS
	


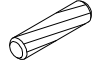


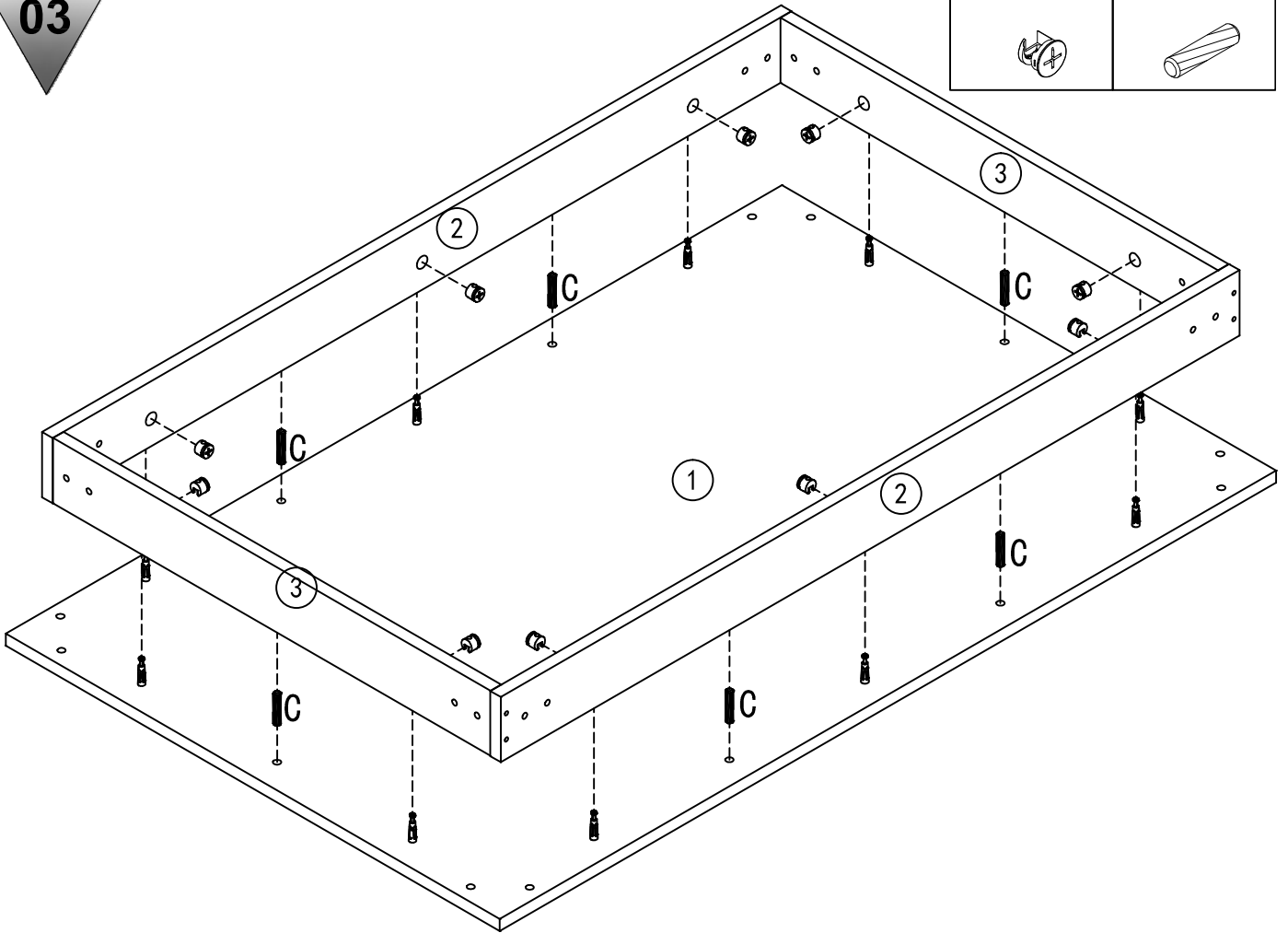
02

B	12PCS	C	8PCS	F	8PCS
					




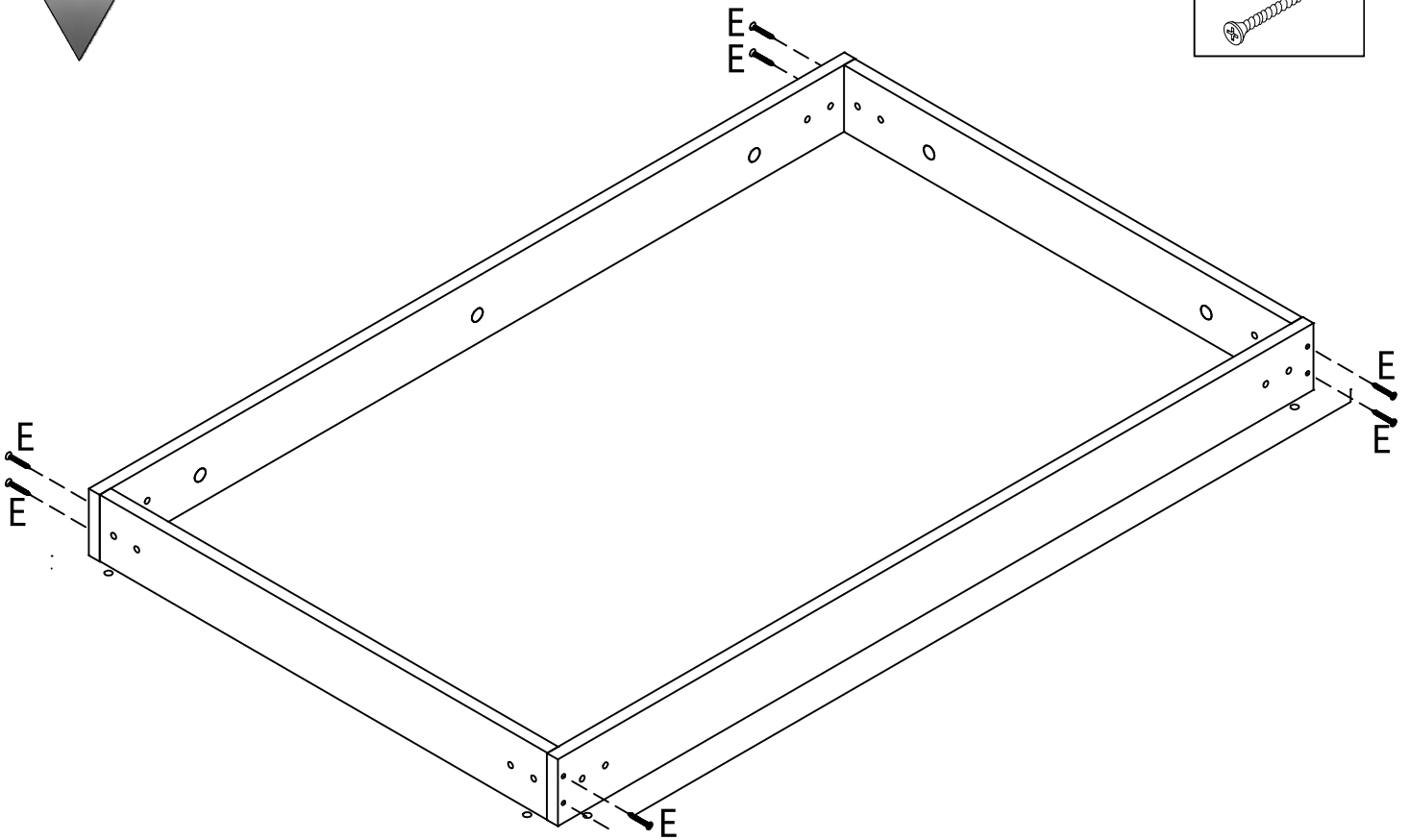
03

B	10PCS	C	6PCS
			



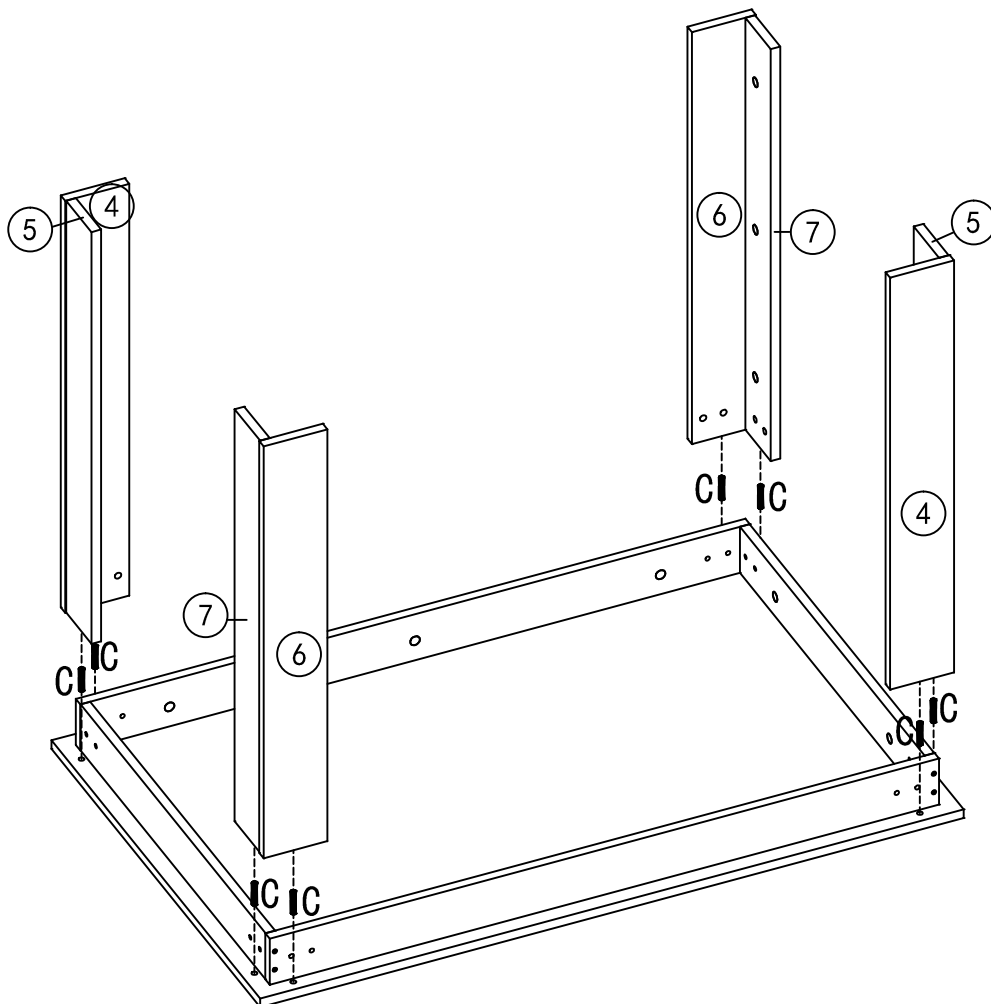
04

E	8PCS
M3. 5*35	
	



05

C 8PCS



06

D 16PCS

M6\*20

