

# ASSEMBLY INSTRUCTION

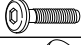





DESCRIPTION : WALL PIER (2PCS/CTN) WITH L.E.D

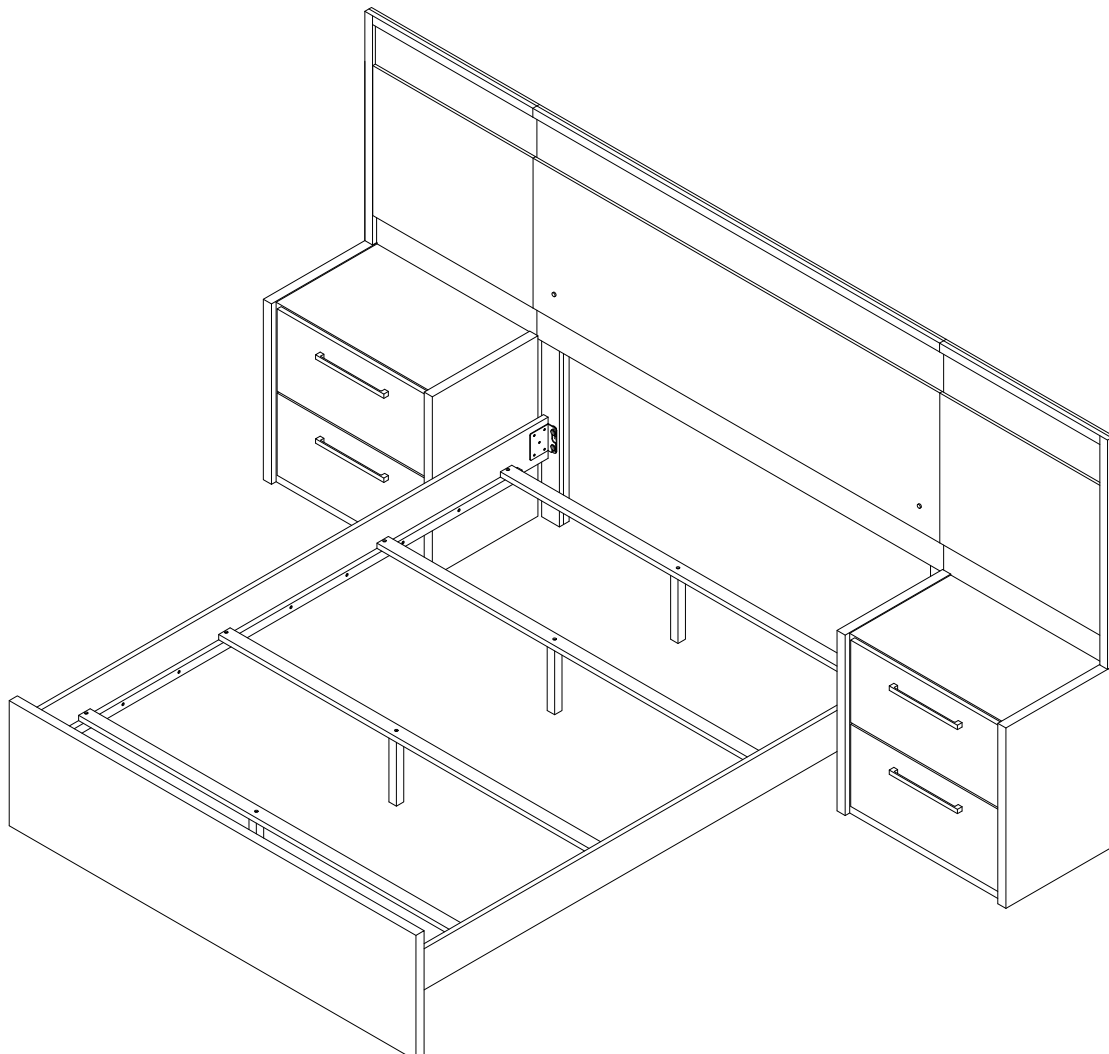
Thank you for purchasing this quality product. Be sure to check all packing material carefully for small Hardware which may have come loose inside the carton during shipment. Identify and count all Hardware and compare with the Hardware List below.

Component List		
Wall Pier		
No	Descriptions	Qty
A	Wall Pier (L)	1
B	Wall Pier (R)	1

Bed		
No	Descriptions	Qty
C	King / Queen Bed	1

Night Stand		
No	Descriptions	Qty
D	Night Stand	2

Hardware List In Wall Pier		
No	Descriptions	Qty
1	JCBC M6 x 35mm 	4
2	Spring Washer Ø1/4" 	4
3	Flat Washer Ø1/4" x 20mm 	4
4	L Key M4 x 65mm 	1
5	PHCB M4 x 16mm 	12
6	DC Adapter 	1



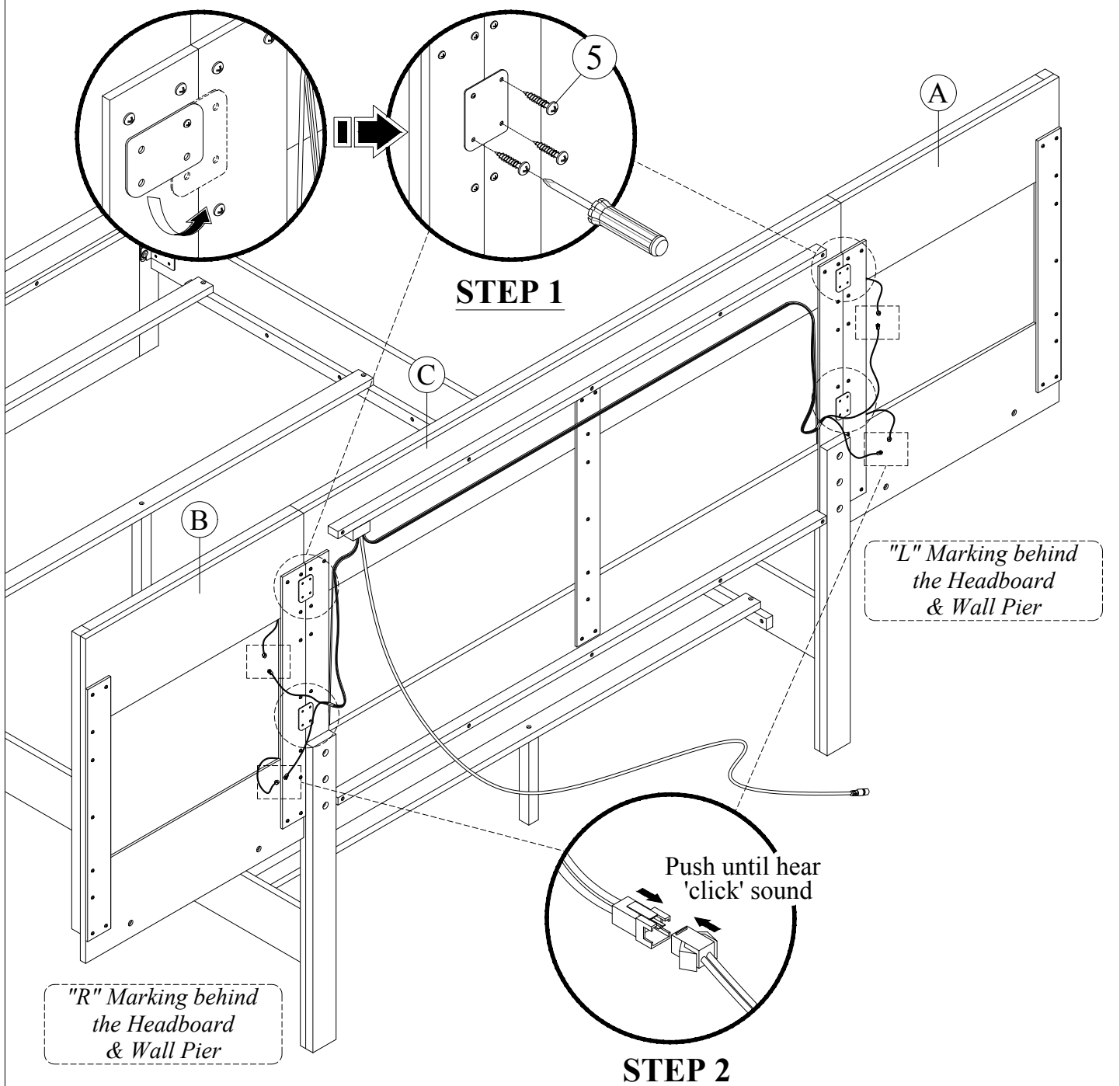
# ASSEMBLY INSTRUCTION

DESCRIPTION : WALL PIER (2PCS/CTN) WITH L.E.D

Thank you for purchasing this quality product. Be sure to check all packing material carefully for small Hardware which may have come loose inside the carton during shipment. Identify and count all Hardware and compare with the Hardware List below.

STEP 1 : Fix Wall Pier beside Headboard Panel, Rotate the I-Bracket to Headboard Panel then tighten using PHCB M4 x 16mm (5).

STEP 2 : Refer diagram below.

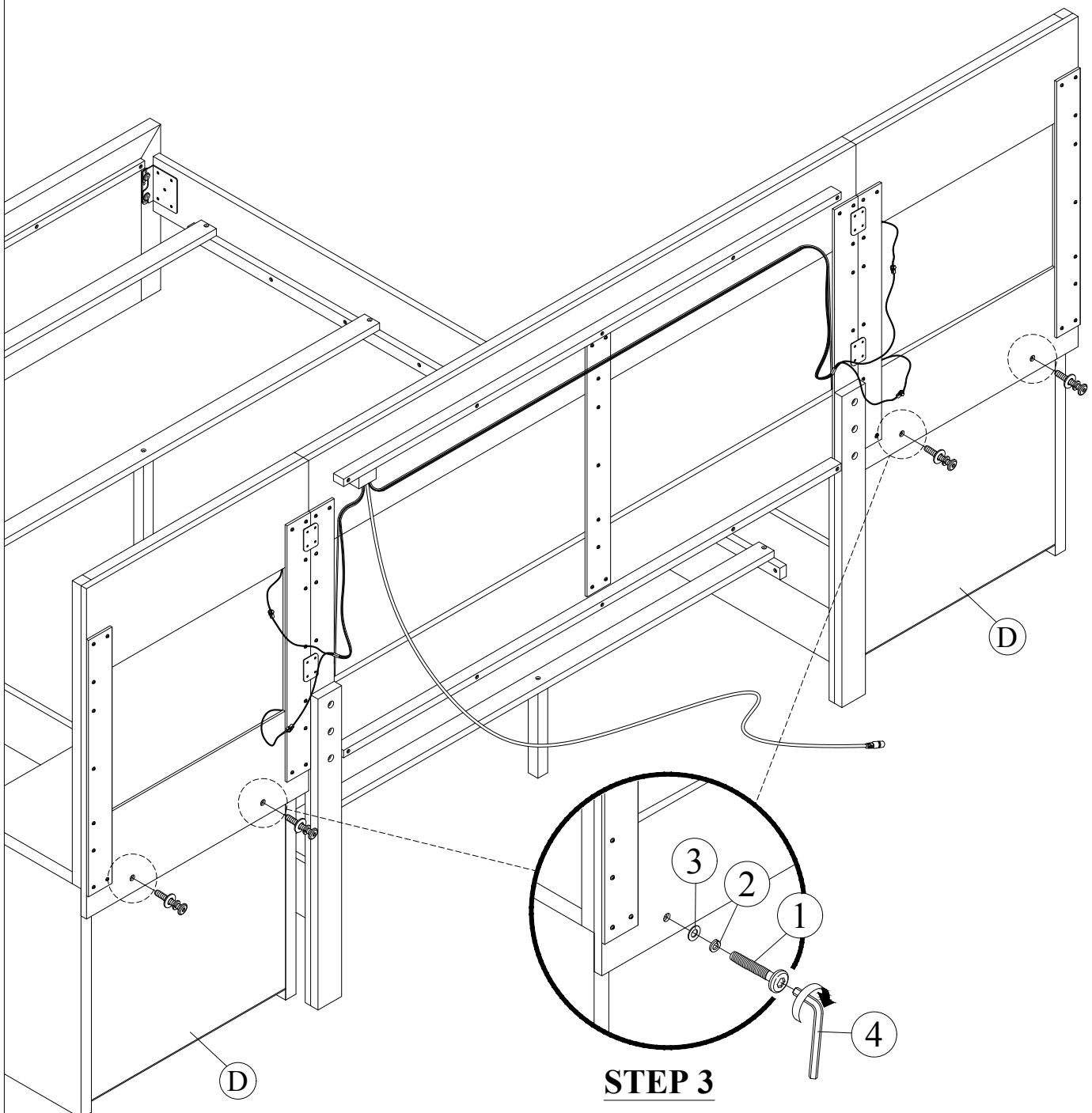


# ASSEMBLY INSTRUCTION

DESCRIPTION : WALL PIER (2PCS/CTN) WITH L.E.D

Thank you for purchasing this quality product. Be sure to check all packing material carefully for small Hardware which may have come loose inside the carton during shipment. Identify and count all Hardware and compare with the Hardware List below.

STEP 3 : Arrange the Night Stand in front of the Wallpier then fasten using Flat Washer  $\text{\O}1/4"$  x 20mm (3), Spring Washer  $\text{\O}1/4"$  (2), JCBC M6 x 35mm (1) & tighten using L Key M4 x 65mm (4).



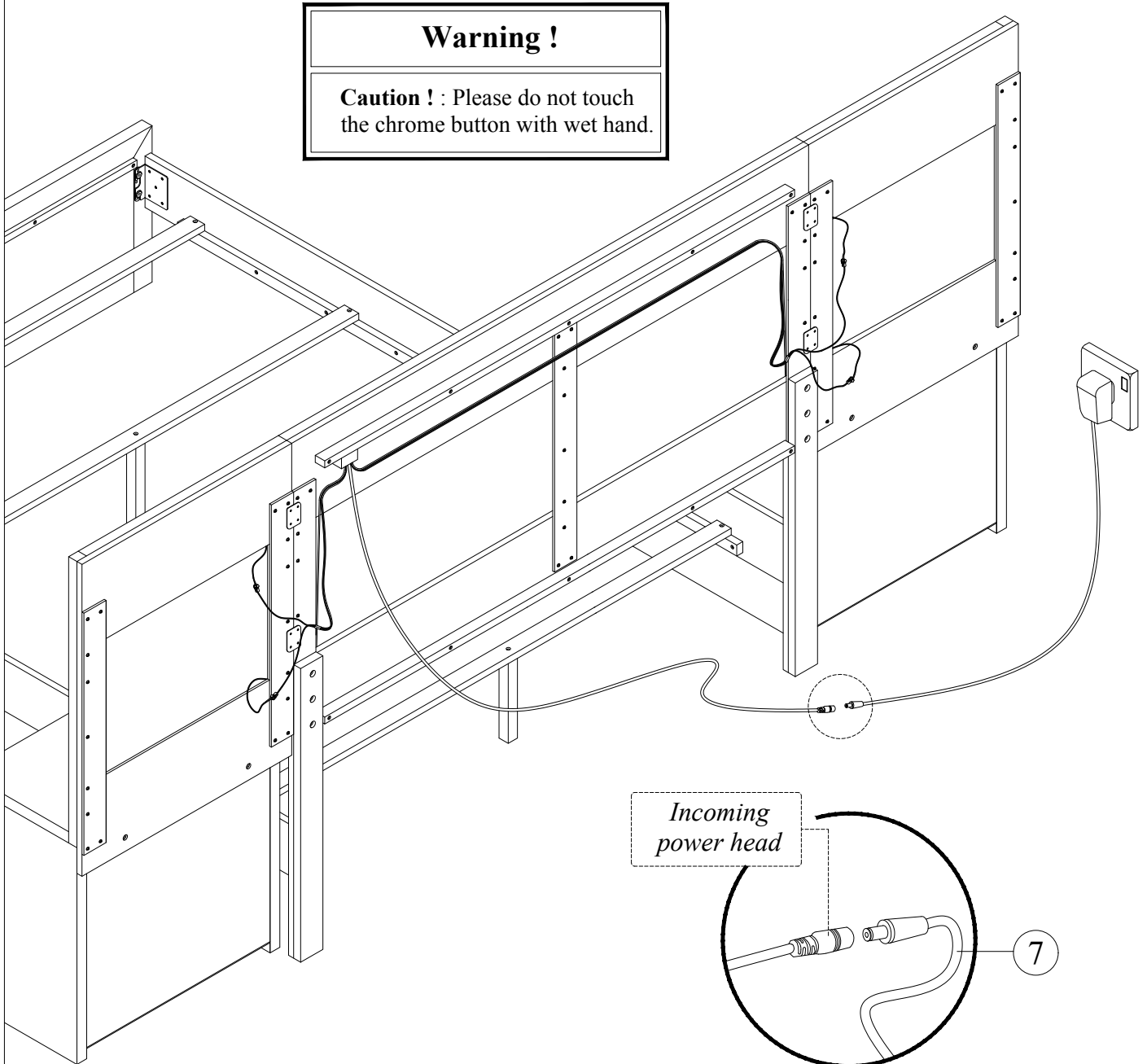
# ASSEMBLY INSTRUCTION

DESCRIPTION : WALL PIER (2PCS/CTN) WITH L.E.D

Thank you for purchasing this quality product. Be sure to check all packing material carefully for small Hardware which may have come loose inside the carton during shipment. Identify and count all Hardware and compare with the Hardware List below.

## Warning !

**Caution !** : Please do not touch the chrome button with wet hand.



**STEP 4**