

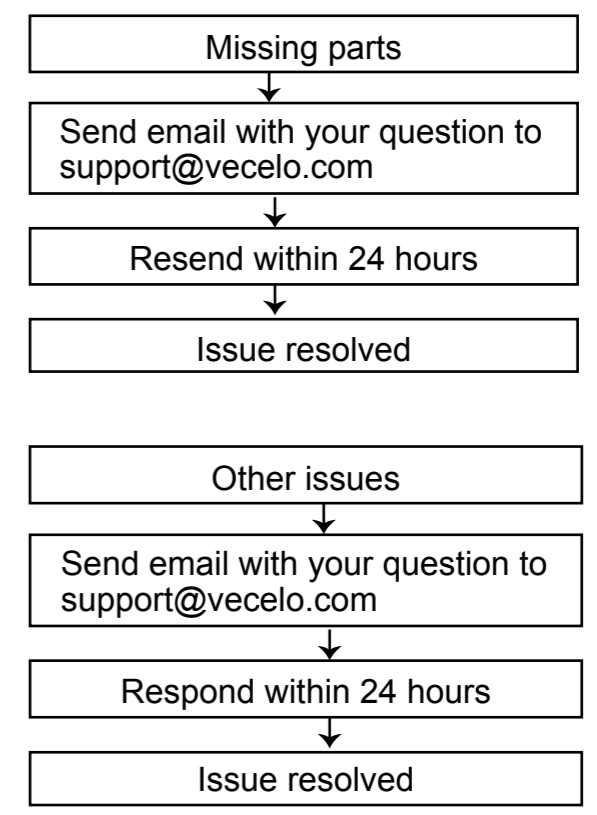
Tips!

Check all the components & screws before assembly. **Do not install in case part is missing, contact us to get.** Send email with your question to support@vecelo.com. We will resend within 24 hours.

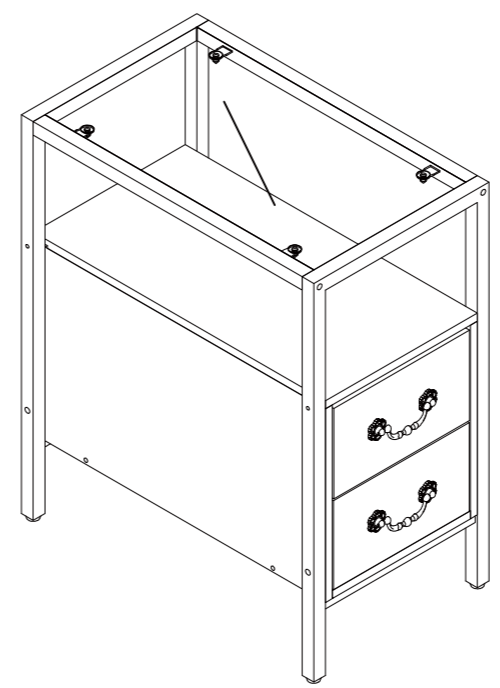
Return Policy

We believe you will absolutely love your new item. But if for some reason you want to return, please contact us directly before you decide to return your product. Our customer service organization can answer most concerns and assist you with any questions you may have about your new item, please email us first at: support@vecelo.com. The item must be returned within 30 days of delivery for a full refund. The item must be returned in good condition, in original box, with all original proof of purchase, parts and accessories.

Trouble shooting:



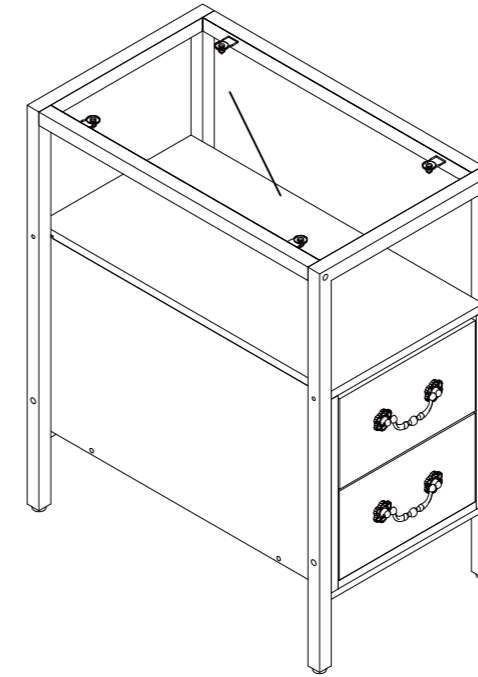
We control manufacturing and distribution ourselves, ensure the quality.



Item Description: Side Table
Dimension: 50*30*60cm
Model NO: XF-NO.1

Components											
1		2	5		1	9		1	13		2
2		2	6		1	10		1	14		2
3		1	7		1	11		2	15		1
4		1	8		1	12		2			

Screws											
A		8	B		4	C		4	D		5
E		3	F		3	G		8	H		4
I		8	J		4	K		1	L		1
M		2	N		4	O		2	P		4
Q		1									



SideTable

Dimension: 50*30*60cm

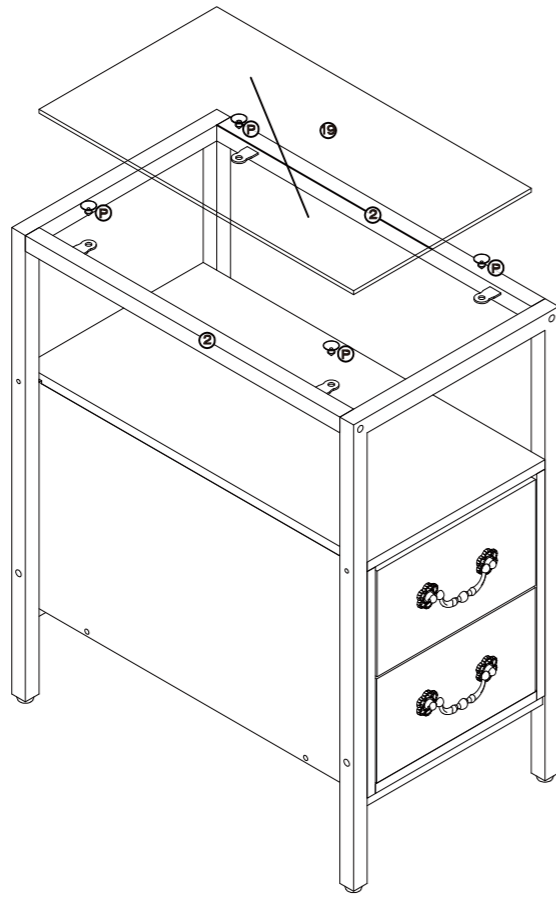
How to find us?

Email: support@vecelo.com

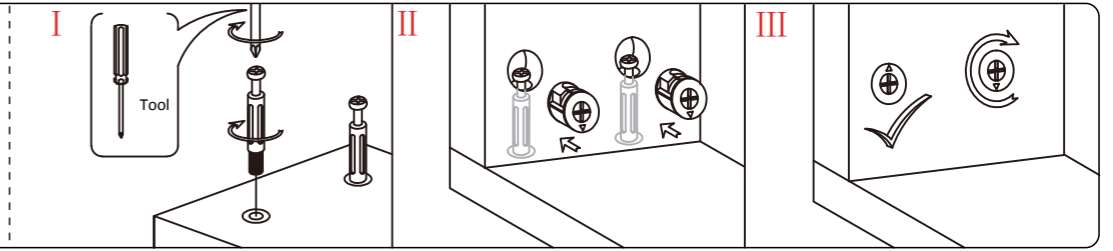
Website: www.vecelo.com

Step 20

Px4

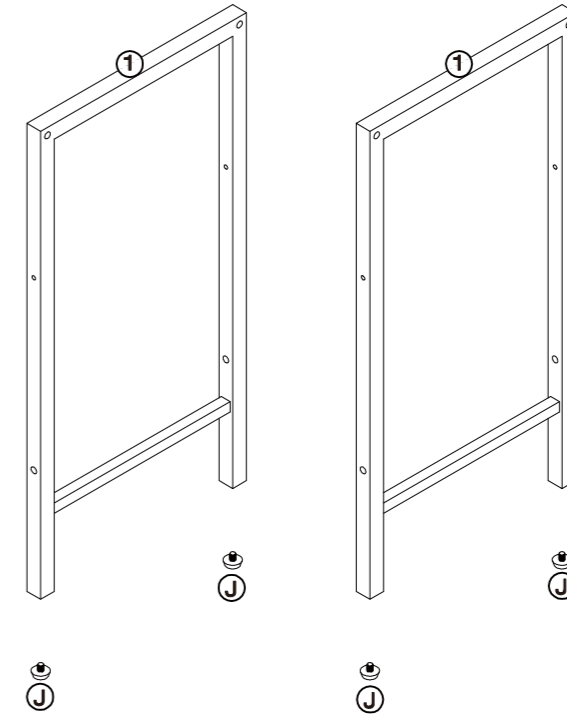


"D" Hardware
Assembly example



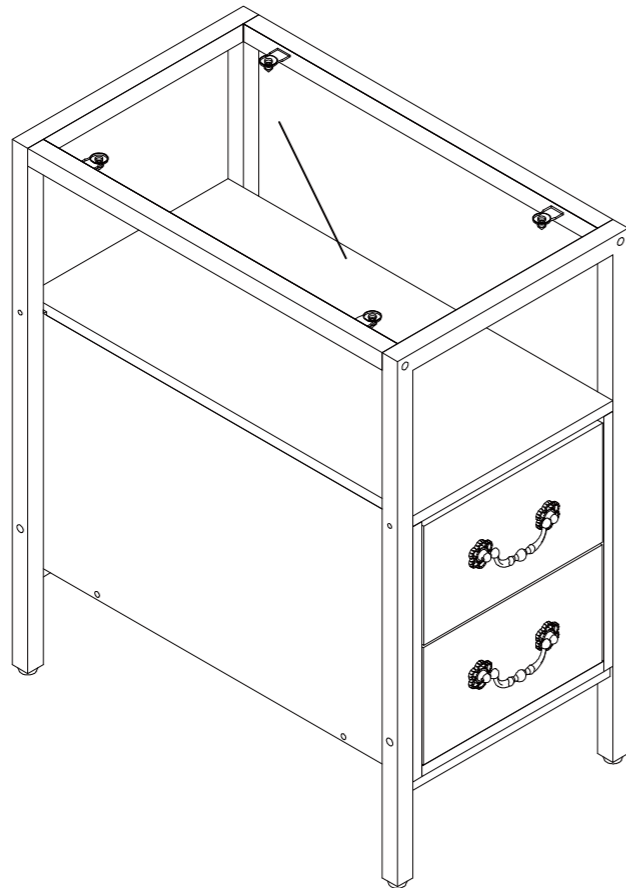
Step 1

Jx4



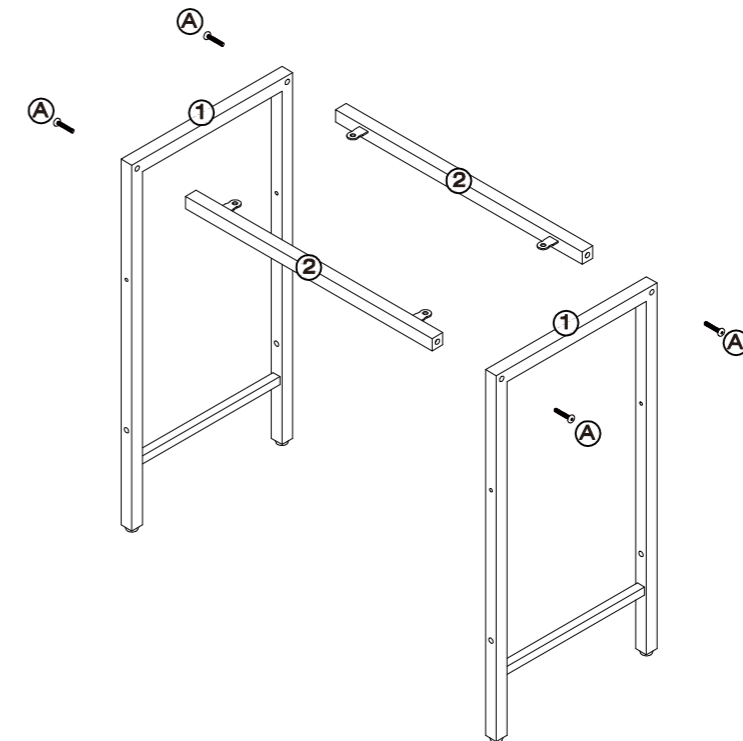
Step 21

Check and tighten all screws






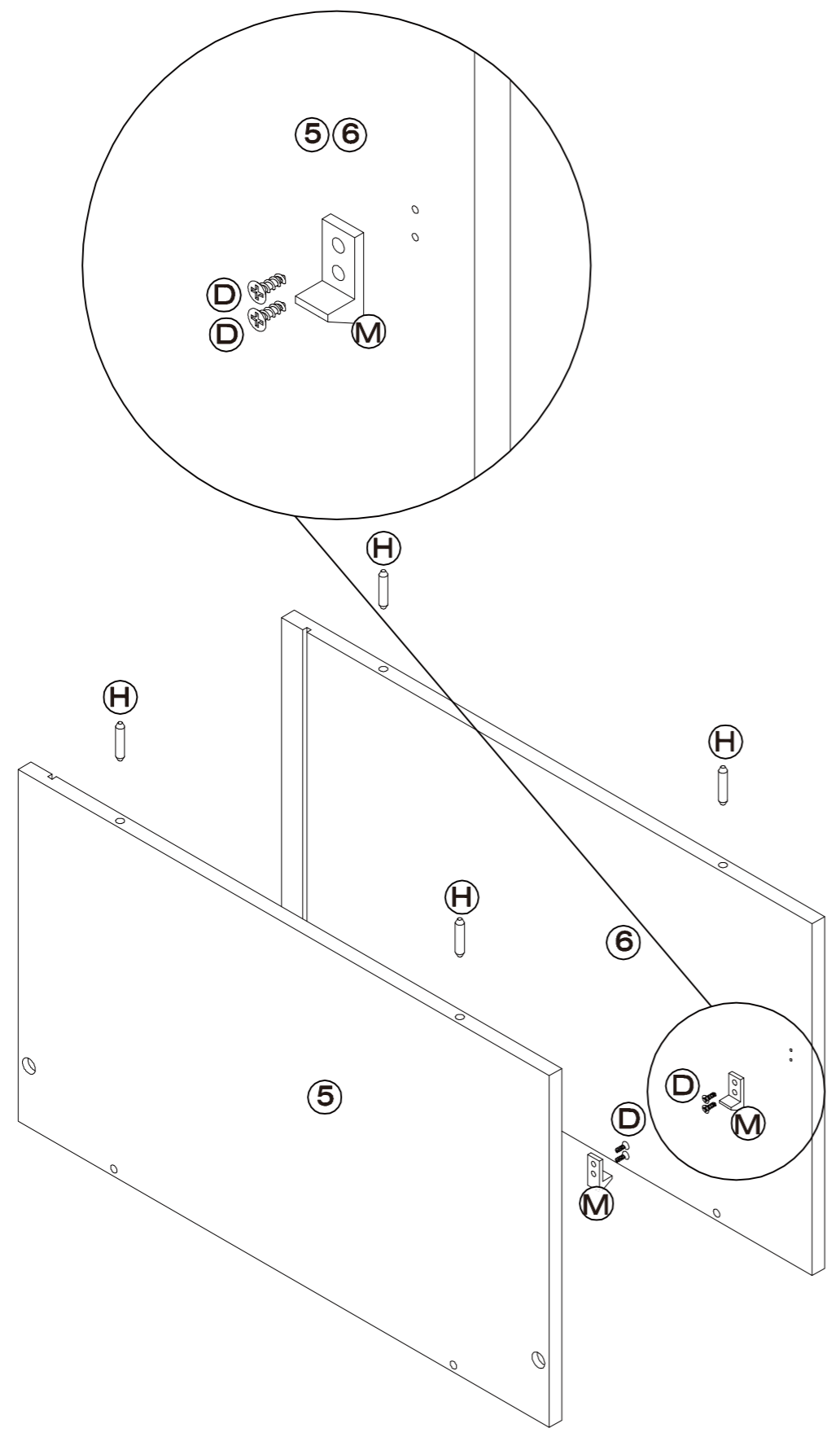
Step 2

Ax4

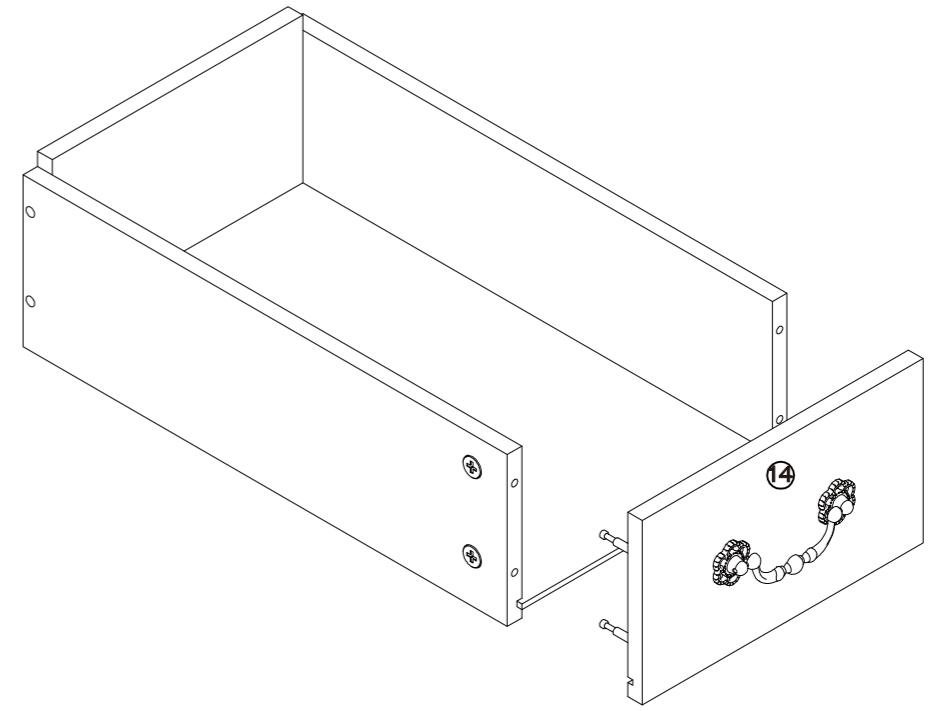


Step 3

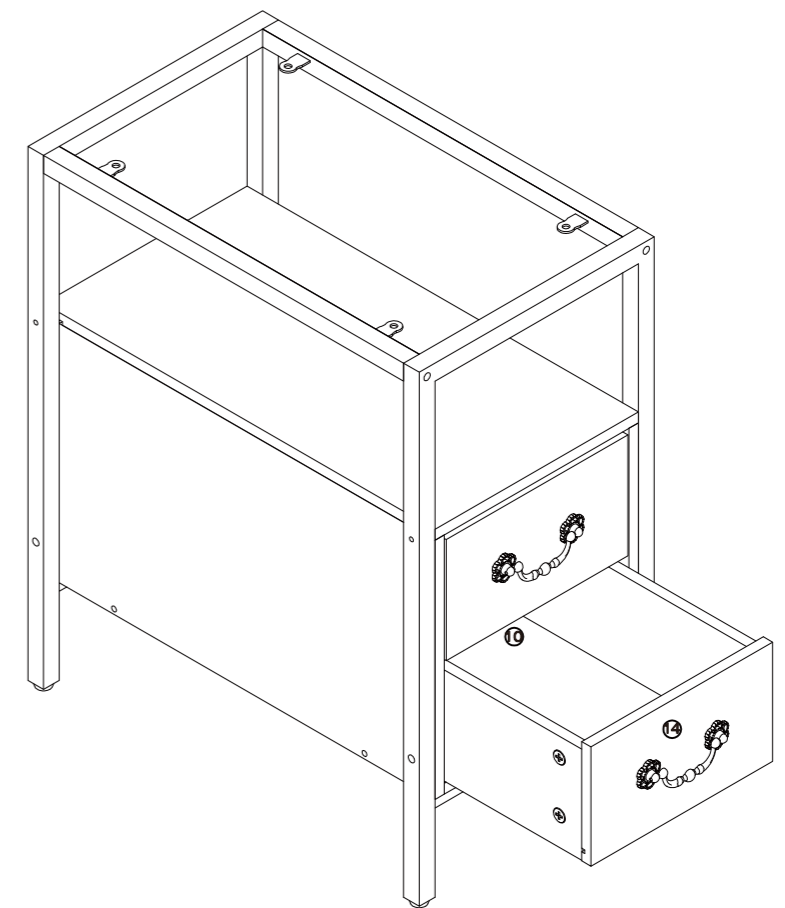
	Dx4
	Mx2
	Hx4



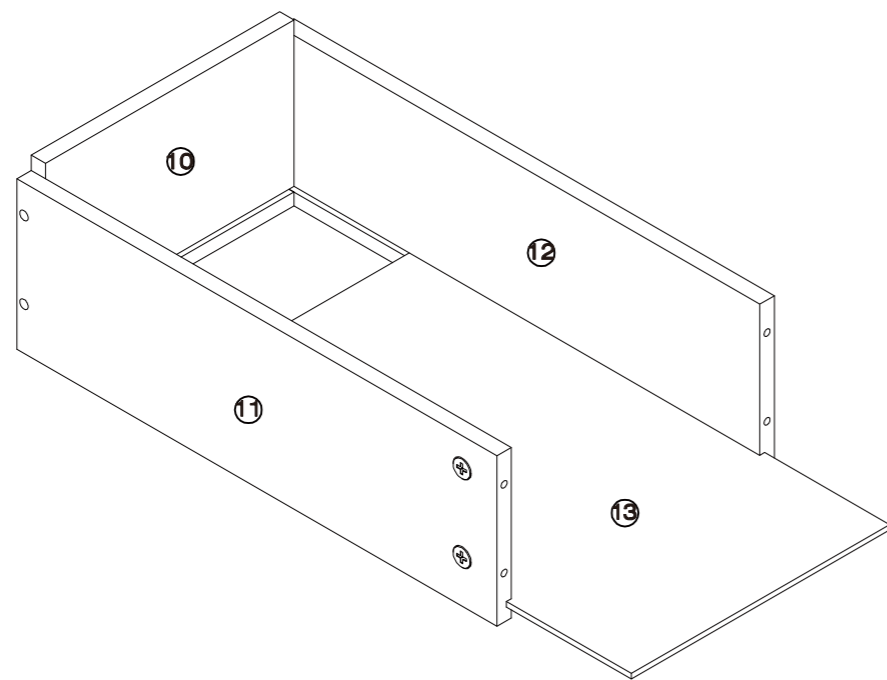
Step 18



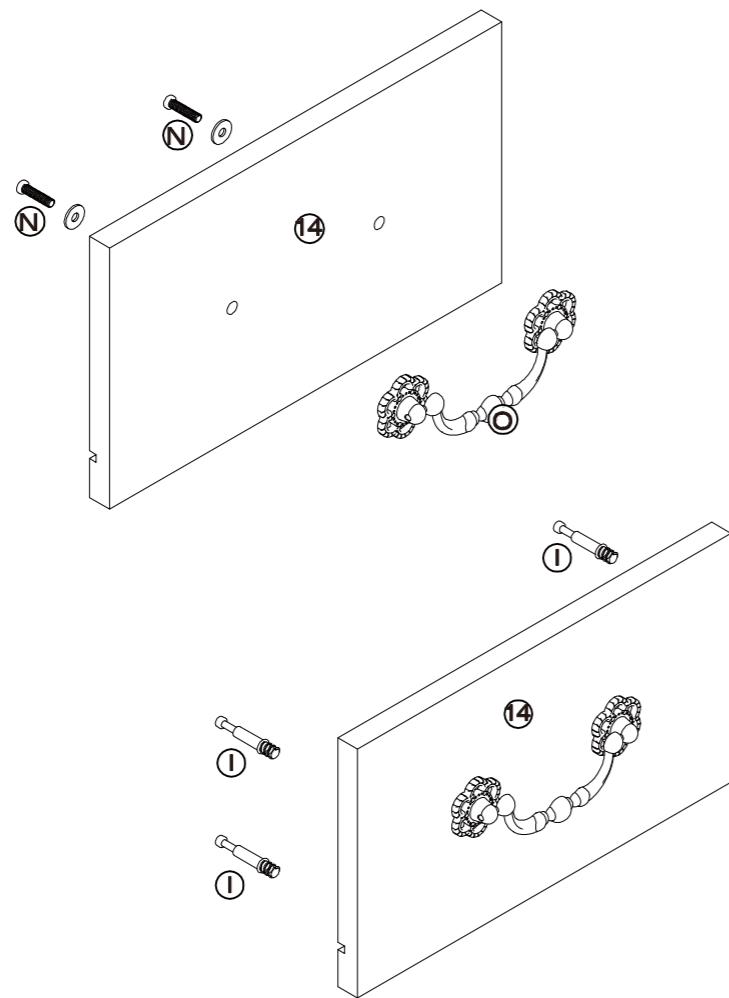
Step 19



Step 16

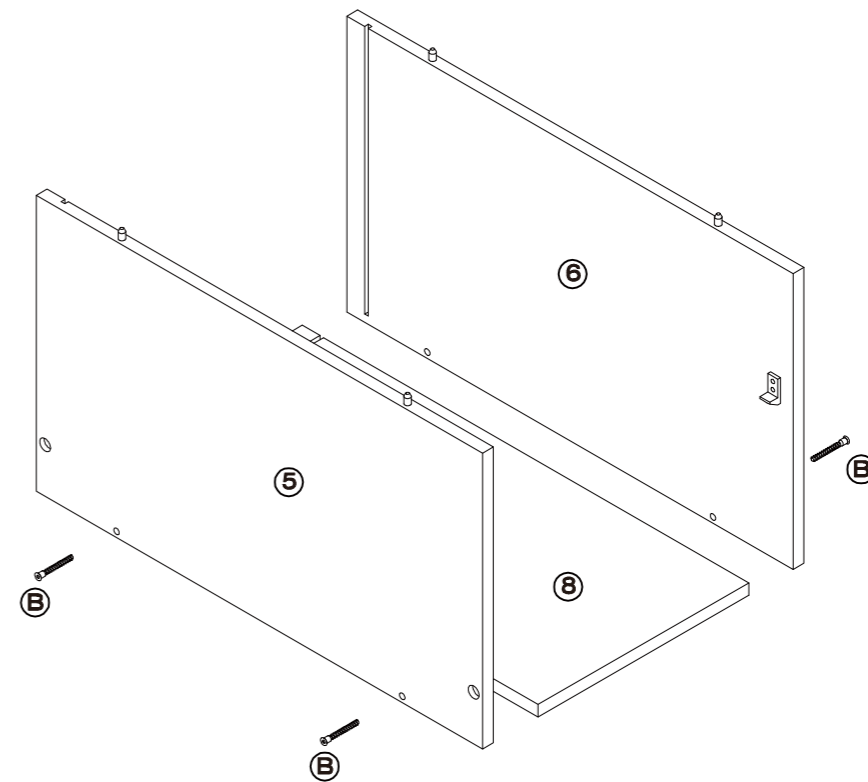


Step 17

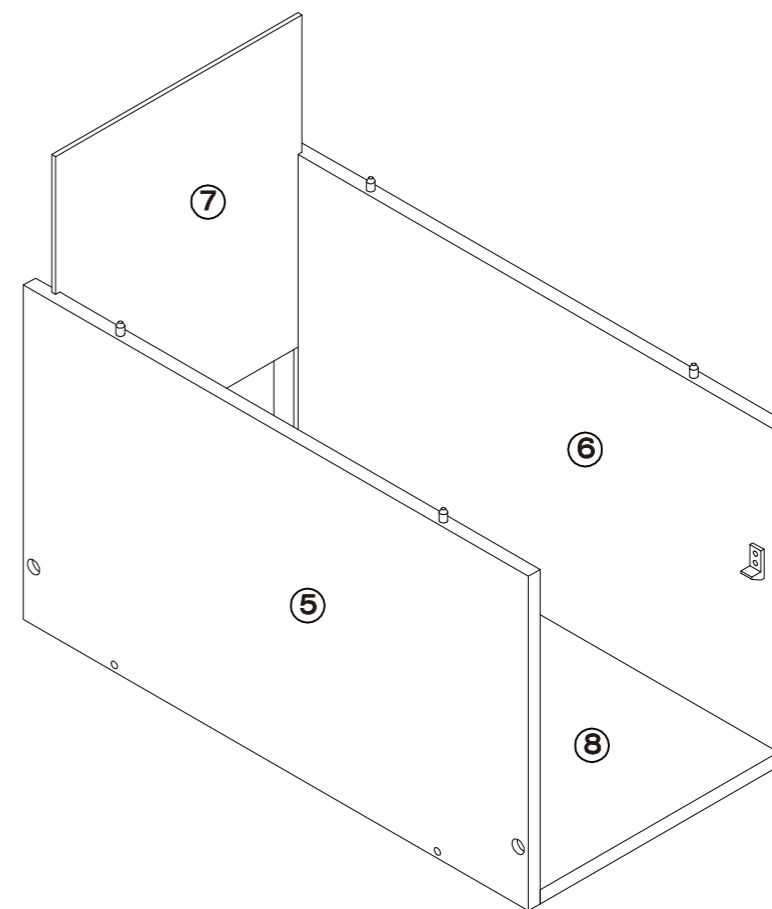


	Nx2
	Ox1
	Ix4

Step 4

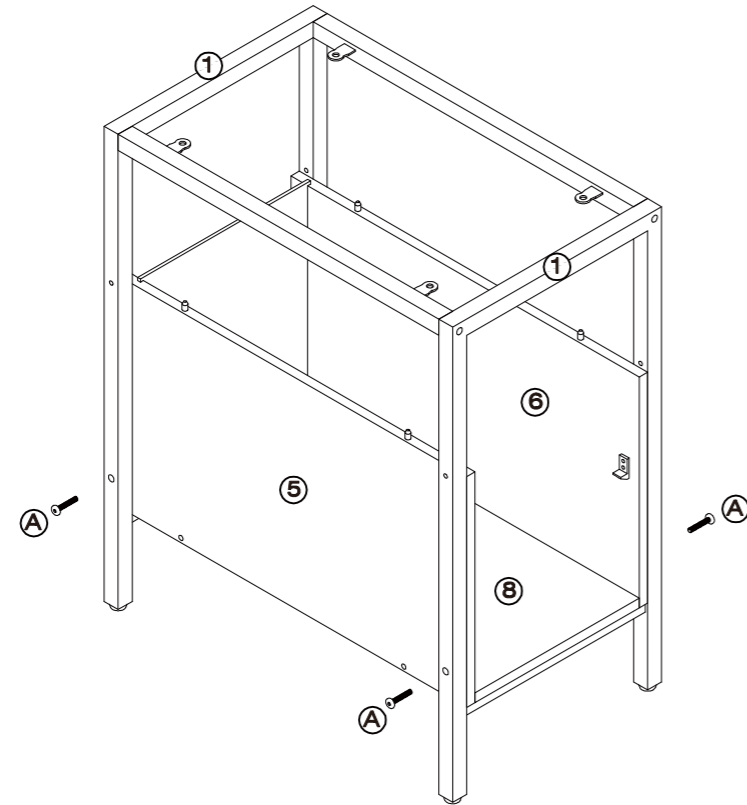


Step 5

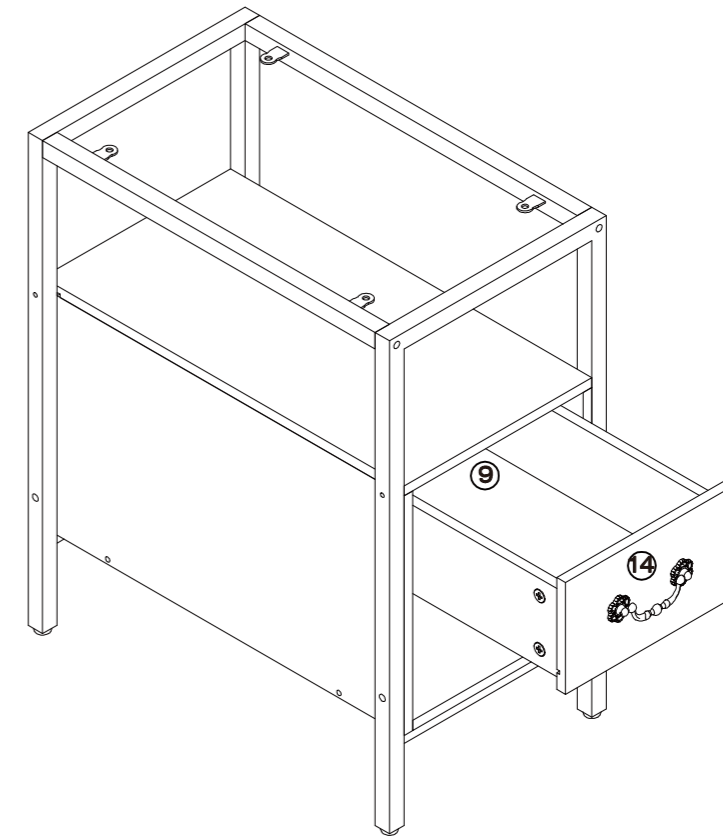


Step 6




 A×4

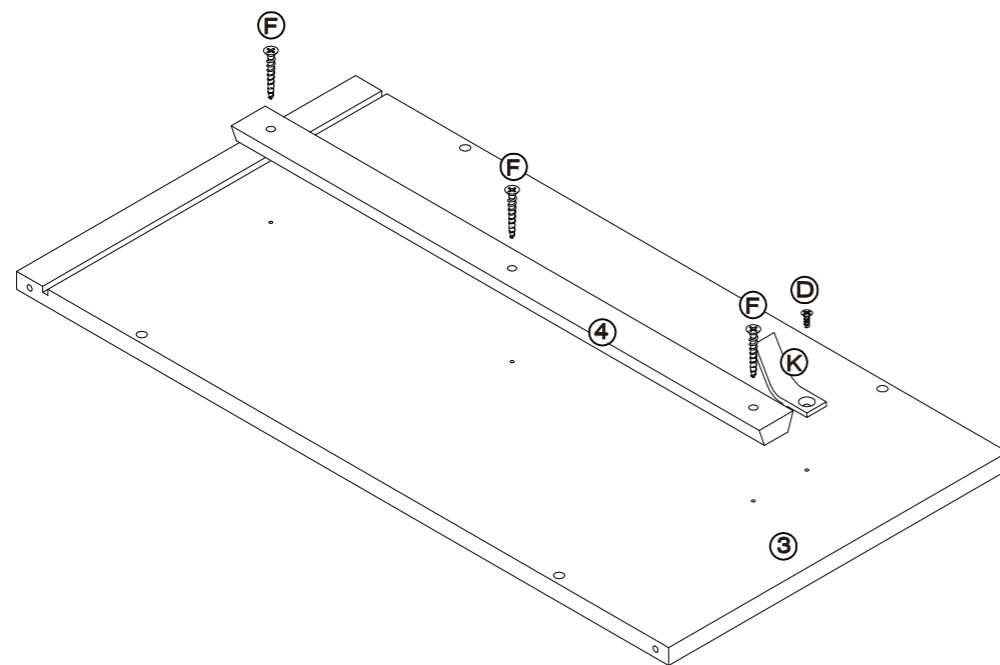


Step 14





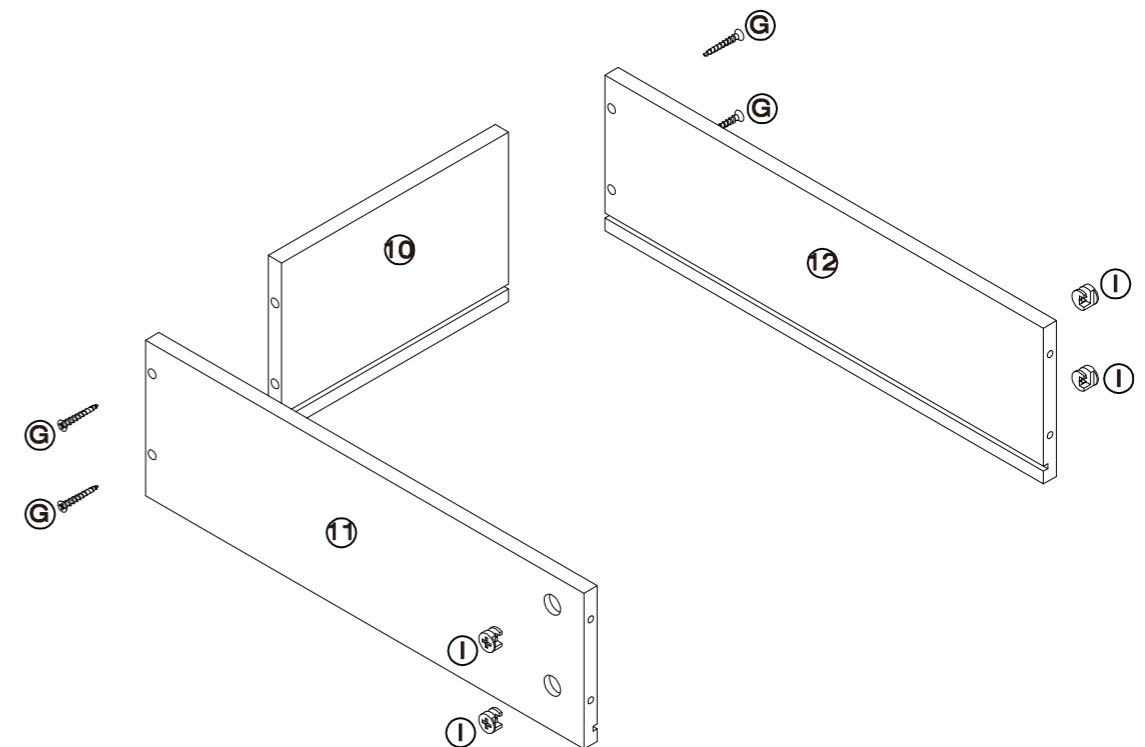
Step 7

 D×1
 F×3
 K×1

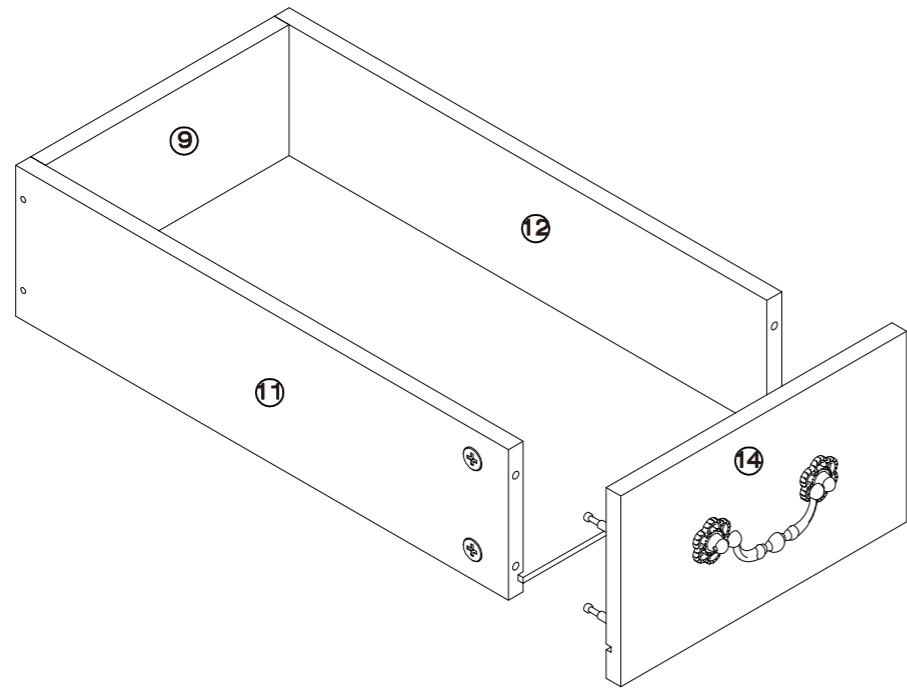


Step 15

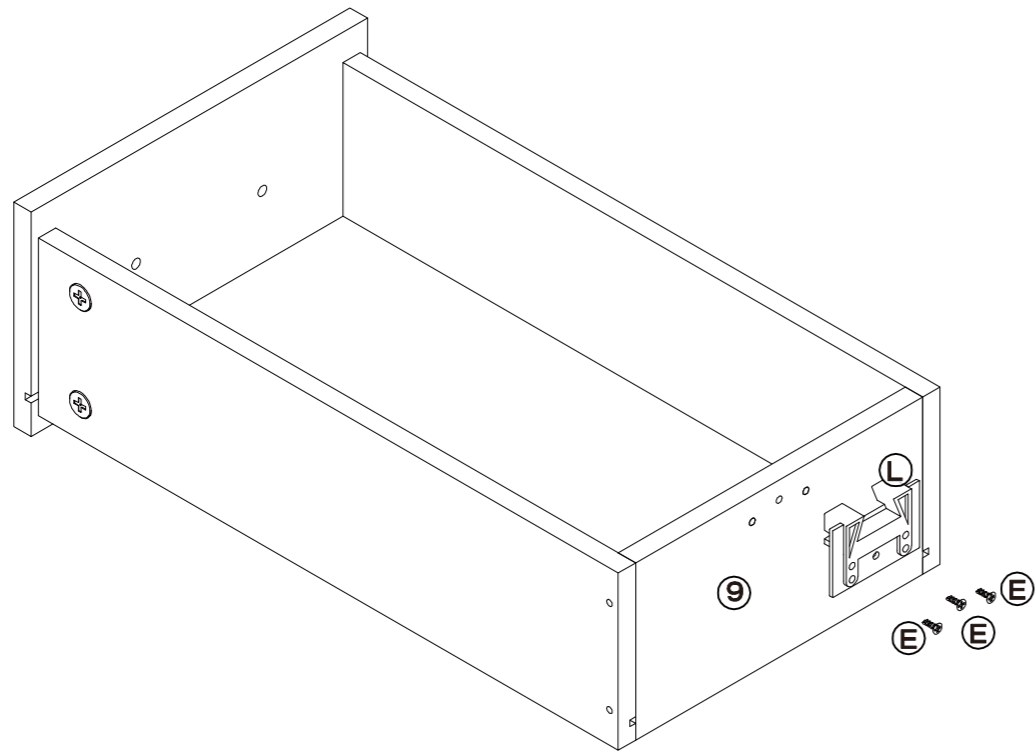
 G×4
 I×4



Step 12

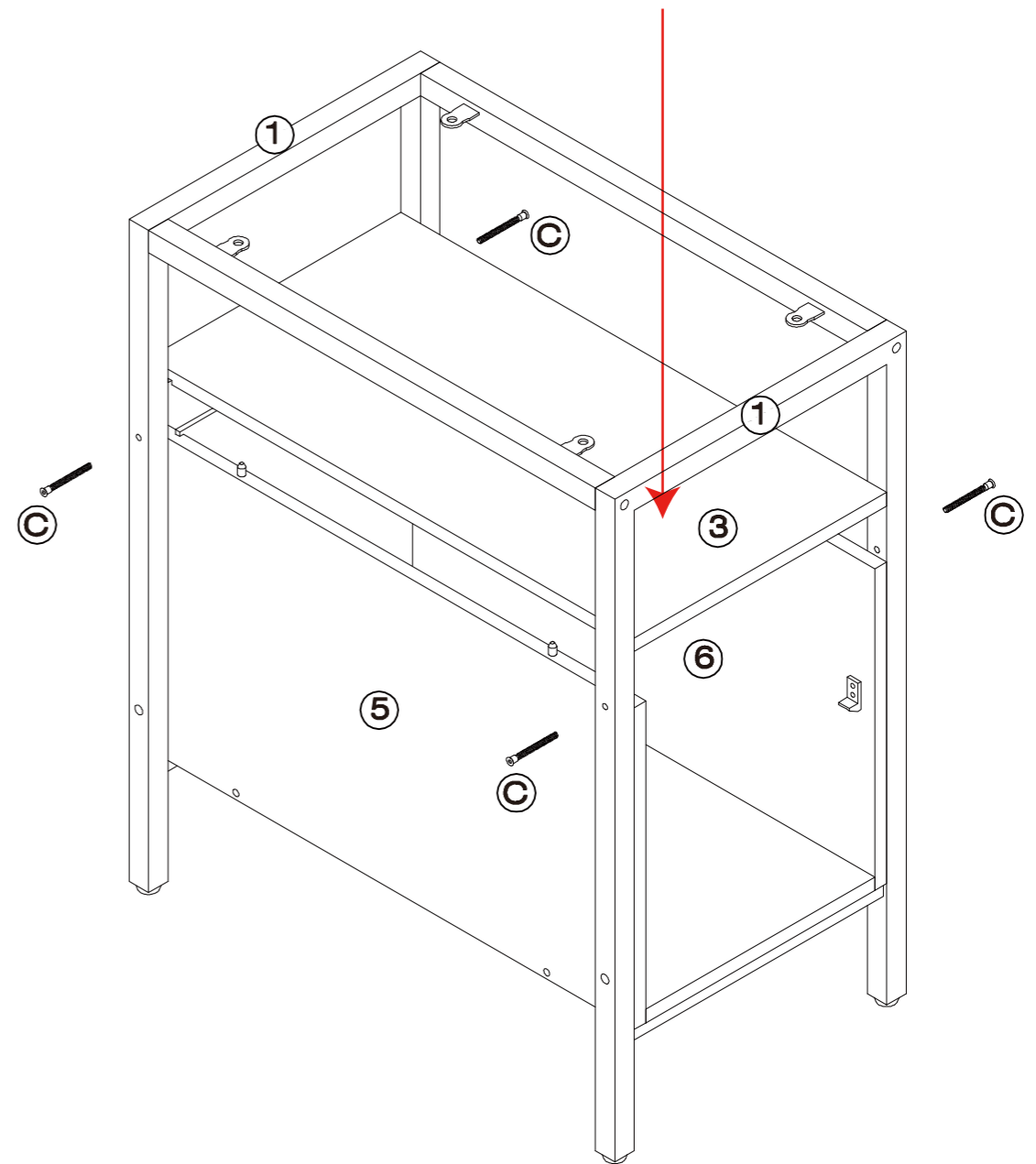


Step 13





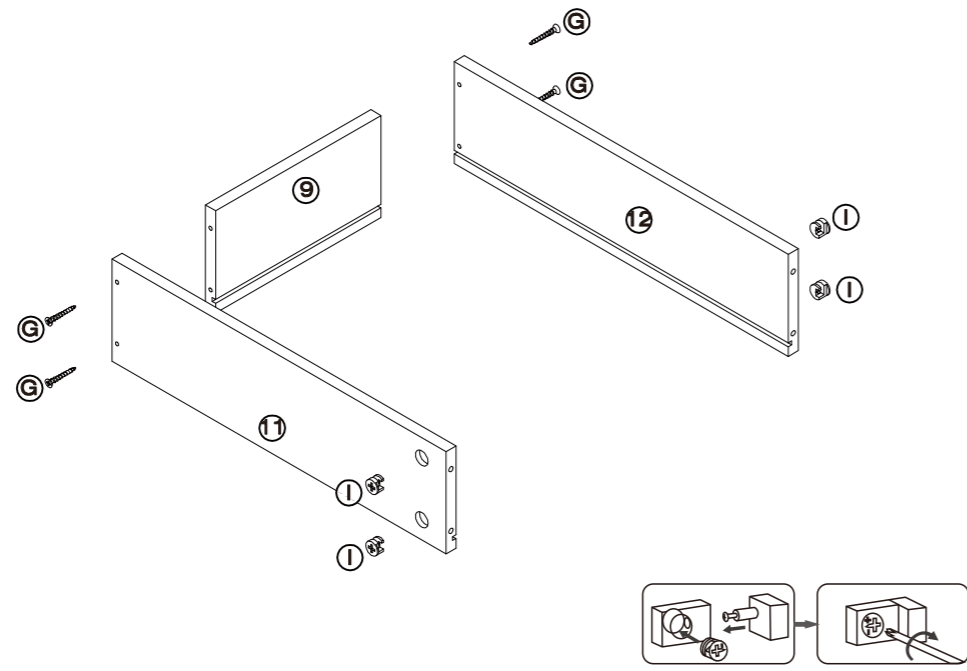
Step 8

Pay attention to the position of H part when installing.



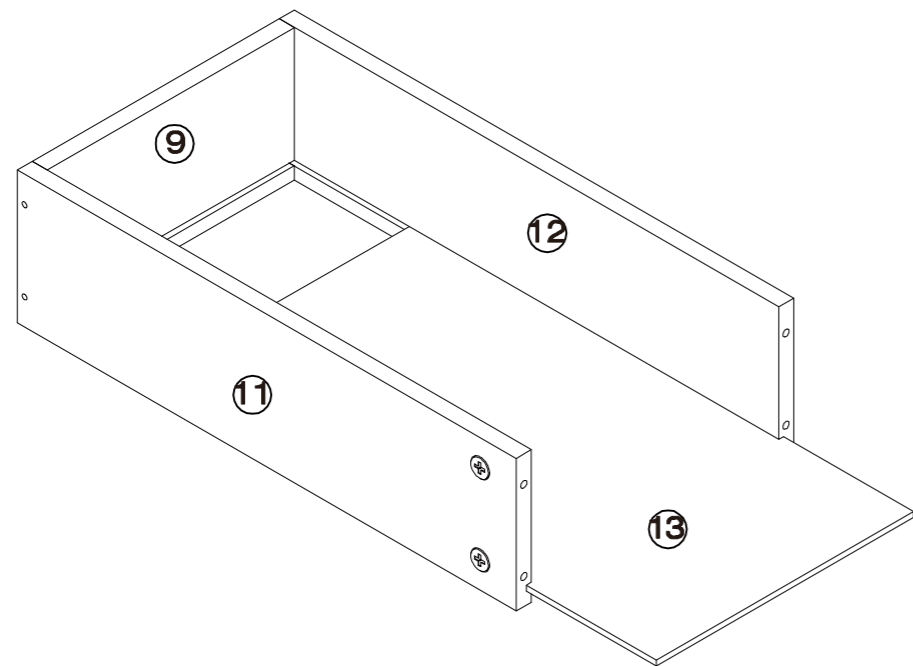
Step 9

	G×4
	I×4



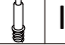


Tips:
For the tightening method of G screw, please refer to "D" Hardware Assembly example

Step 10



Step 11

	N×2
	O×1
	I×4

