

ASSEMBLY INSTRUCTIONS



Fine Furniture for every stage of life

24"
BAR STOOL

ASSEMBLY INSTRUCTIONS

ASSEMBLY TIPS:

1. Remove hardware from box and sort by size.
2. Please check to see that all hardware and parts are present prior to start of assembly.
3. Please follow attached instructions in the same sequence as numbered to assure fast & easy assembly.

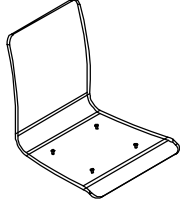
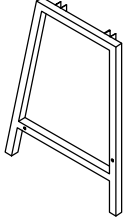
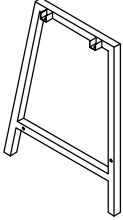
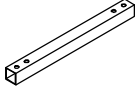
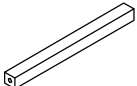


WARNING!

1. Don't attempt to repair or modify parts that are broken or defective. Please contact the store immediately.
2. This product is for home use only and not intended for commercial establishments.










ASSEMBLY TIME 20 MINUTES

PARTS IDENTIFICATION

A	SEAT AND BACK		1PC
B	LEFT FRAME		1PC
C	RIGHT FRAME		1PC
D	TOP CROSSBAR		2PCS
E	BOTTOM CROSSBAR		2PCS

Z

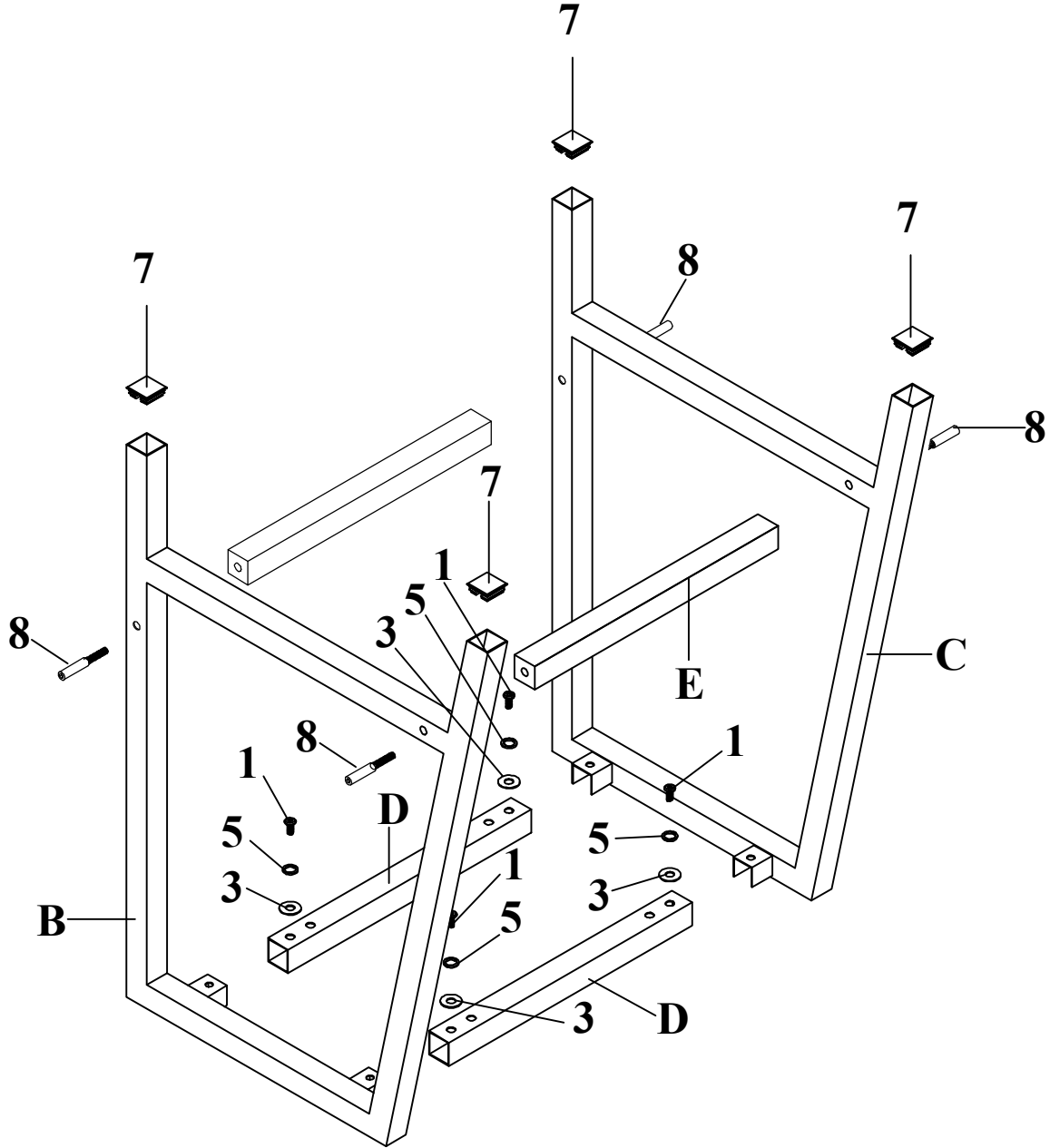
HARDWARE IDENTIFICATION

1	SHORT BOLT (1/4" x 12mm SR)		4PCS
2	LONG BOLT (1/4" x 35mm SR)		4PCS
3	WASHER (ϕ 16mm)		8PCS
4	PLASTIC WASHER (ϕ 16mm)		4PCS
5	SPRING WASHER (1/4")		8PCS
6	NUT (1/4")		4PCS
7	CAP (25 x 25mm BLK)		4PCS
8	HEX CAP HEAD BOLT (1/4" x 27mm)		4PCS
9	ALLEN WRENCH (4mm)		1PC

NOTE:QUANTITIES SHOWN ARE FOR ONE STOOL

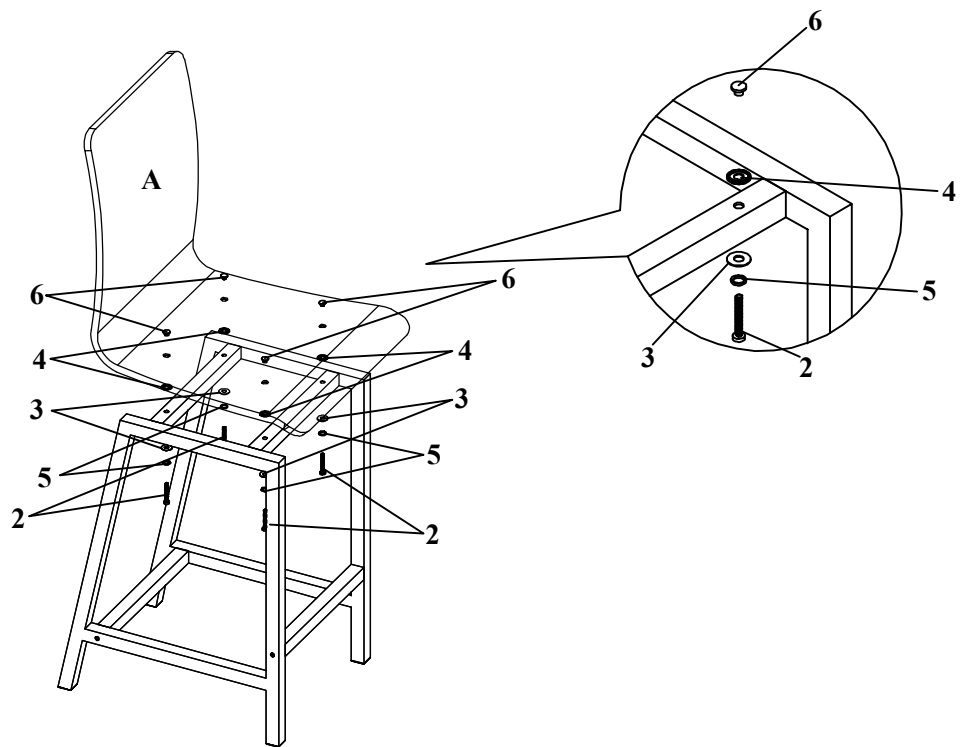
ASSEMBLY INSTRUCTIONS

STEP 1 Do not tighten until each step is completed or instructed.

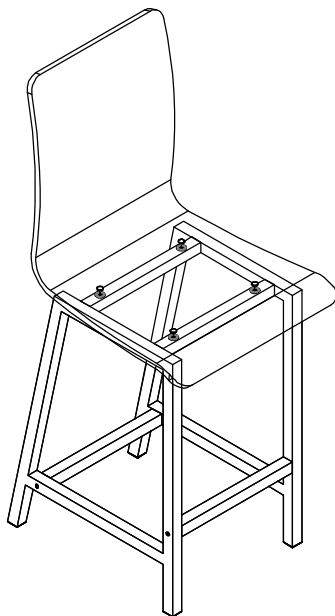


ASSEMBLY INSTRUCTIONS

STEP 2



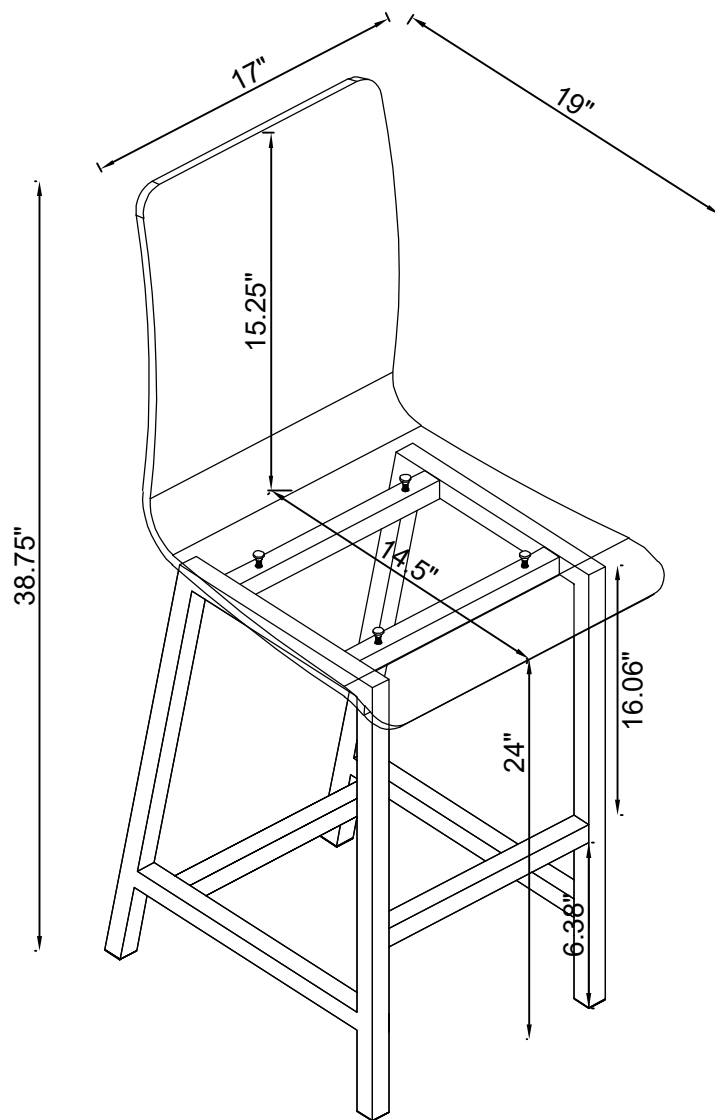
STEP 3 COMPLETE



How to clean Acrylic product:
Using a dry soft microfiber cloth, lightly brush off any dust.
For additional care, dampen the cloth with warm water.
For deepest cleaning, use an Acrylic cleaner.

ASSEMBLY INSTRUCTIONS

Product Size : 432 X 483 X 984 H (MM)
Product Size : 17" X 19" X 38 ³/₄"



Note : Dimension tolerance $\pm 5\%$