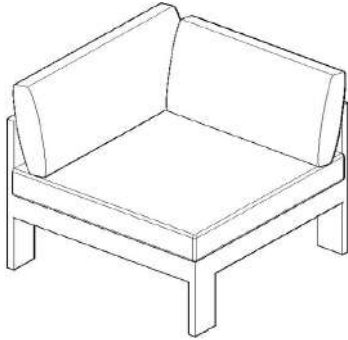


ASSEMBLY INSTRUCTIONS



+ Parts Included

① Left leg
(1pcs)



② Seat cross bar
(1pcs)



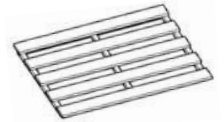
③ Back cross bar
(2pcs)



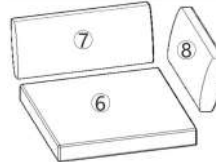
④ Right leg
(1pcs)



⑤ Seat plate
(1pcs)



⑥/⑦/⑧ Cushion
(1pcs)



⑨ U shape
connector
(1pcs)



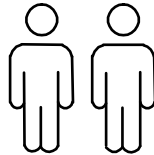
⑩ Non-slip Mat
(1pcs)



+ Do Not Use Power Tools



+ Suggested Adults



NOTE:

- 1 Read instructions cover to cover.
- 2 Save all packaging until assembly is completed.

5 Seat plate

6 / 7 Cushion

1 IMPORTANT SAFETY INFORMATION

Do not assemble the product if any of the following parts arrived damaged :

- | | |
|---------------------------|------------------------------|
| Part # ① - left leg | Part # ⑤ - Seat plate |
| Part # ② - Seat cross bar | Part # ⑥ ⑦ ⑧ - Cushion |
| Part # ③ - Back cross bar | Part # ⑨ - U shape connector |
| Part # ④ - Right leg | Part # ⑩ - Non-slip mat |

Do not assemble the product if any of the following Hardware parts are missing :

Part # A - Allen Key Part # B - Washer Part # C - Screw 20mm

2 IMPORTANT ASSEMBLY INFORMATION

Assembly Step if loosening persists, please make sure to tighten all the bolts periodically, or use a thread locker adhesive.

+ Hardware Included

A Allen Key
(1pcs)



B Washer
(10pcs)



C Screw 20mm
(10pcs)

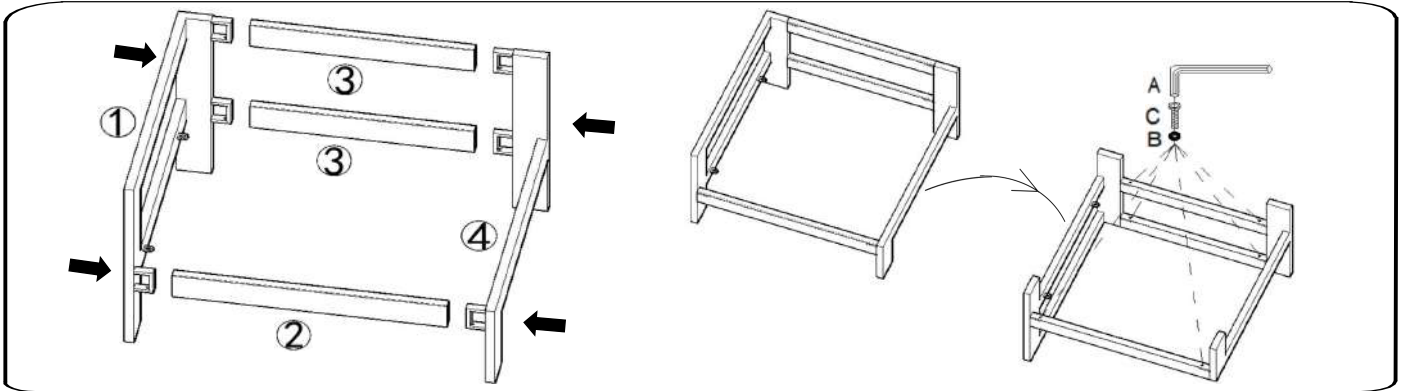


ASSEMBLY INSTRUCTIONS

STEP 1

Please put PARTS on a carpeted or padded surface.

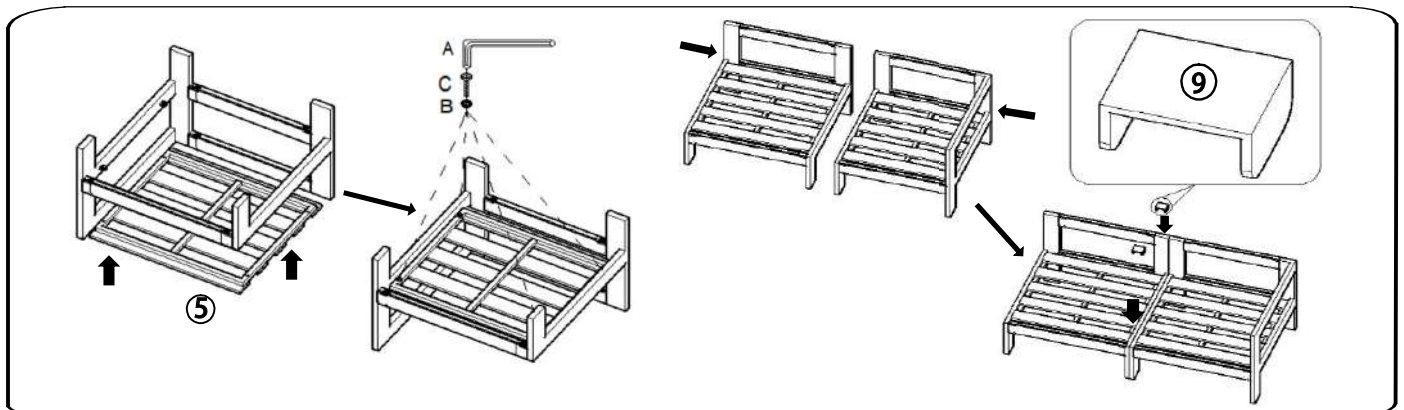
Put 2pcs of Back cross bar#3 and 1pc of Seat cross bar#2 instert into Left leg#1 and Right leg#4, then return the frame and screw the nuts as shown.



STEP 2

Then return the single sofa and put the seat plate on the seat base, then tightening crews. Then return the single sofa.

If you need connect the sofa, kindly use the U shape connector on the sofa as shown.



STEP 3

Put the non-slip mat on the seat firstly, Then put the seat cushion and back cushion with hand cushion on the sofa as shown.

Your sofa is completed!

