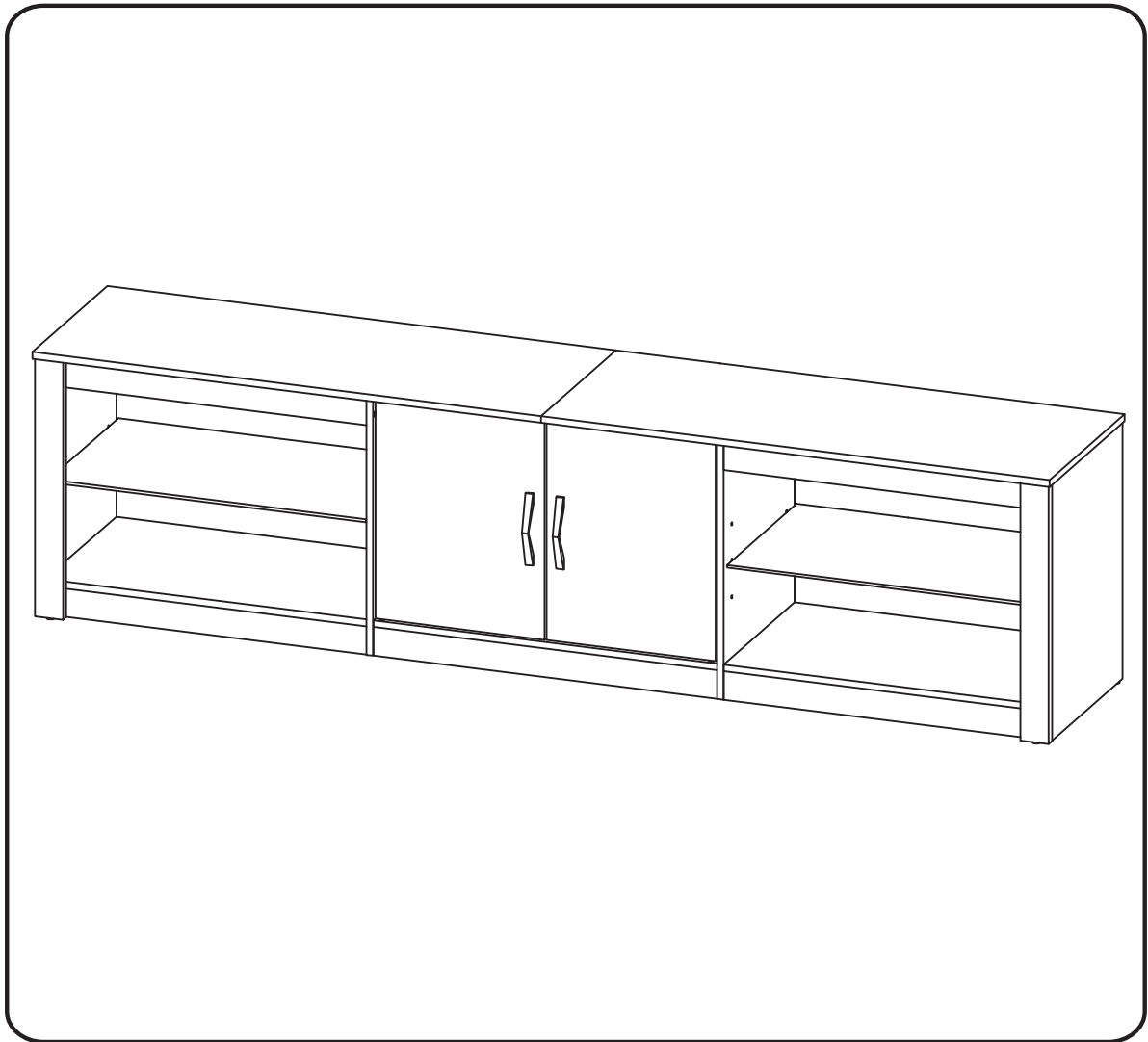


ASSEMBLY INSTRUCTION



HELPFUL HINTS

! BEFORE YOU START

- Inspect product packaging to ensure the appearance is good.
- Read the assembly instruction carefully and follow it step by step.
- To avoid any scratching, putting a soft blanket on the floor is suggested.
- Identify, sort and count all the parts with tags.
- Find out installation position according to the drawing and install it in correct steps.

! OTHER

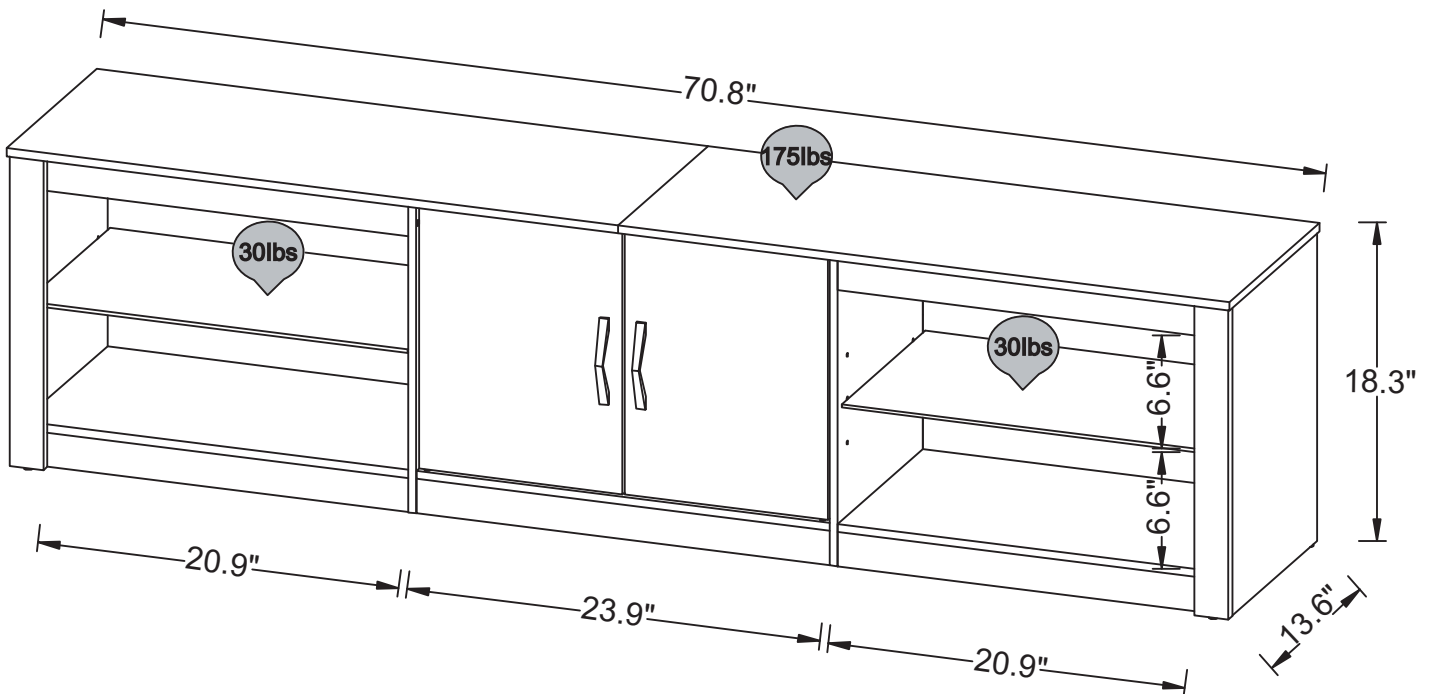
- People needed for assembly: 2
- Estimated assembly time: 2.5-3 hours
- Please use your own Phillips Head Screwdriver and Flat Head Screwdriver.

! CAUTION

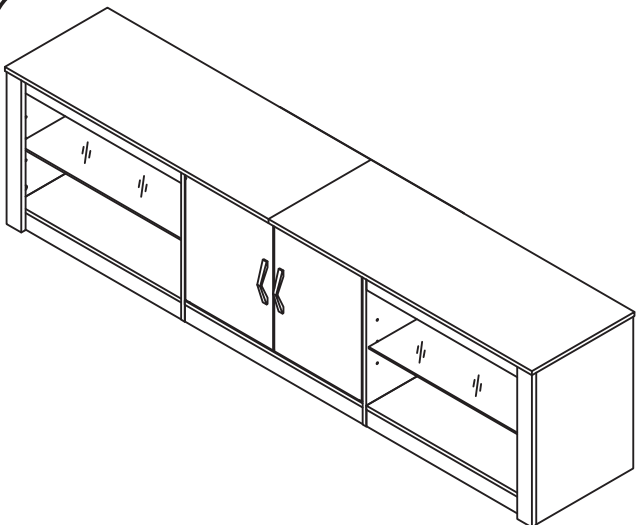
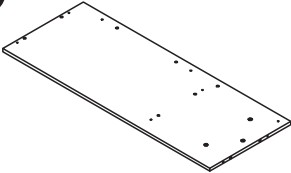
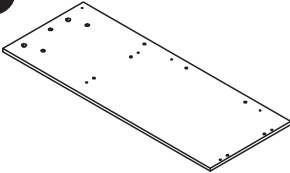
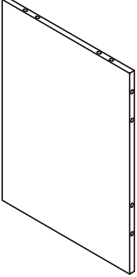
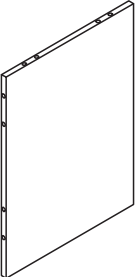
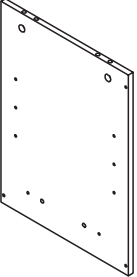
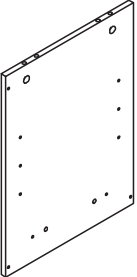
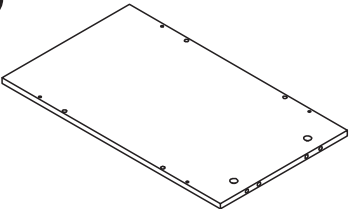
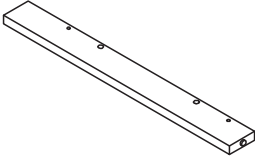
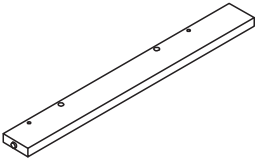
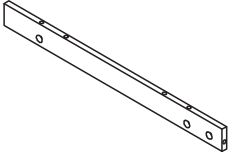
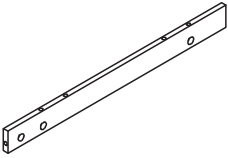
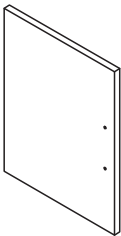
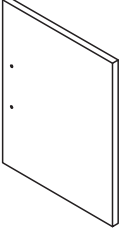
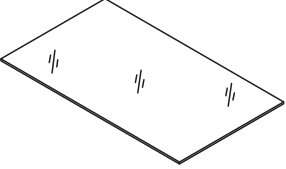
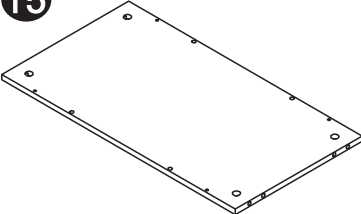
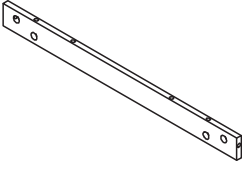
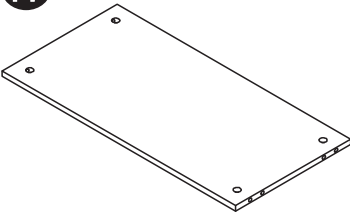
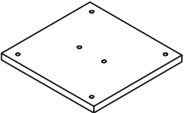
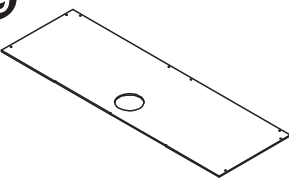
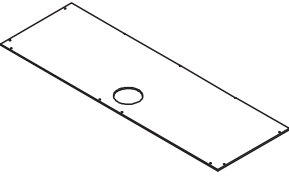
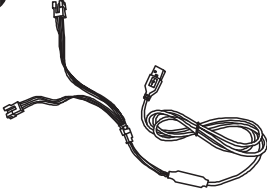
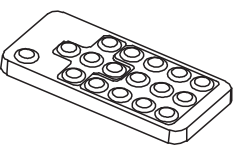
- Be cautious when using a power drill or power screwdriver.
- Please be aware to slow down and stop when screw is nearly tight.
- Do Not use any harsh chemicals or abrasive cleaners for this item.
- Push, pull or drag this item carefully.

DETAILS




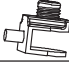



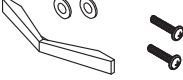
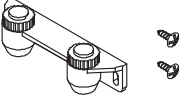
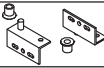

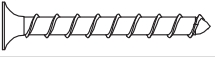



UNIT: INCH

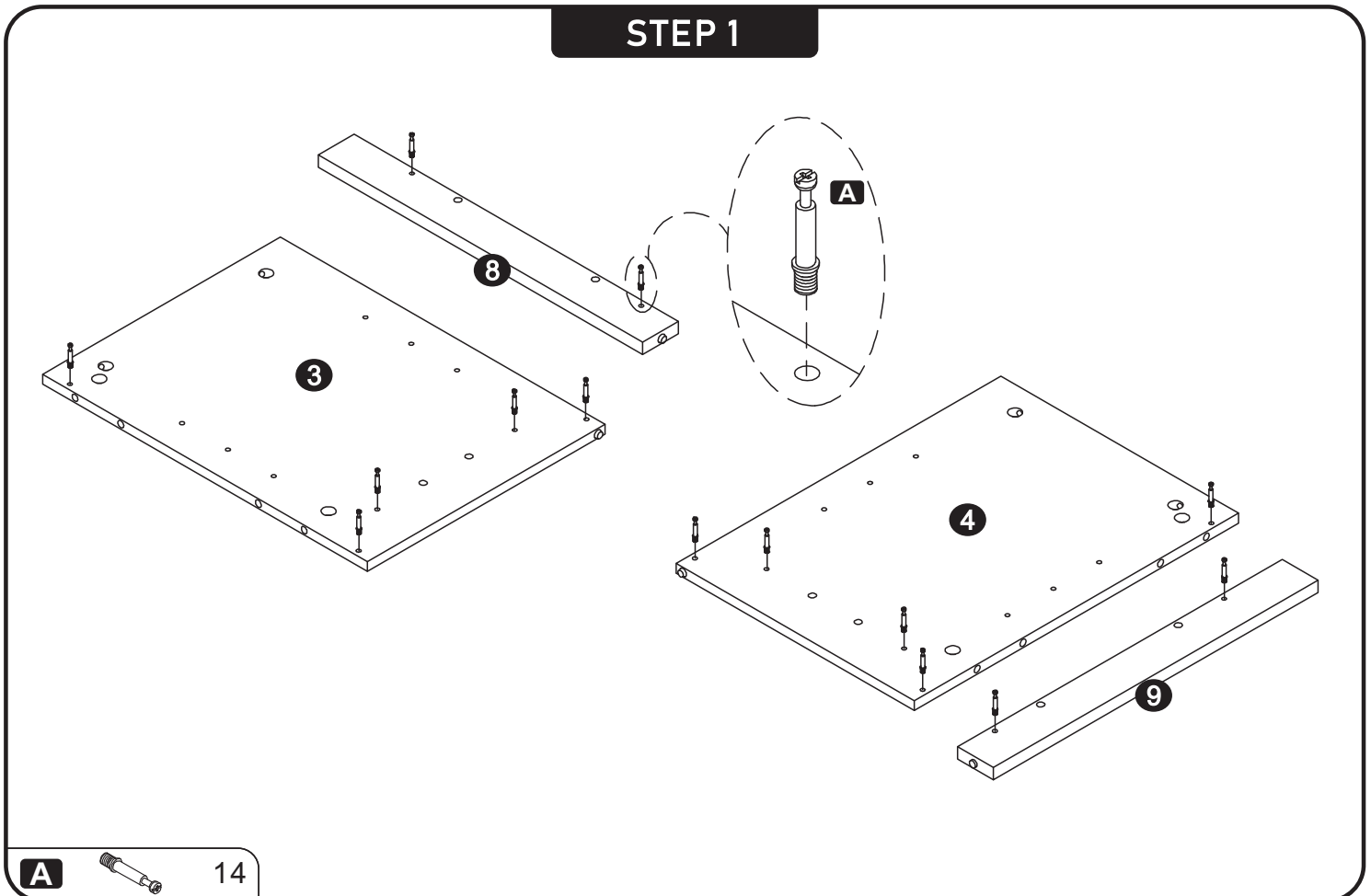


PART LIST

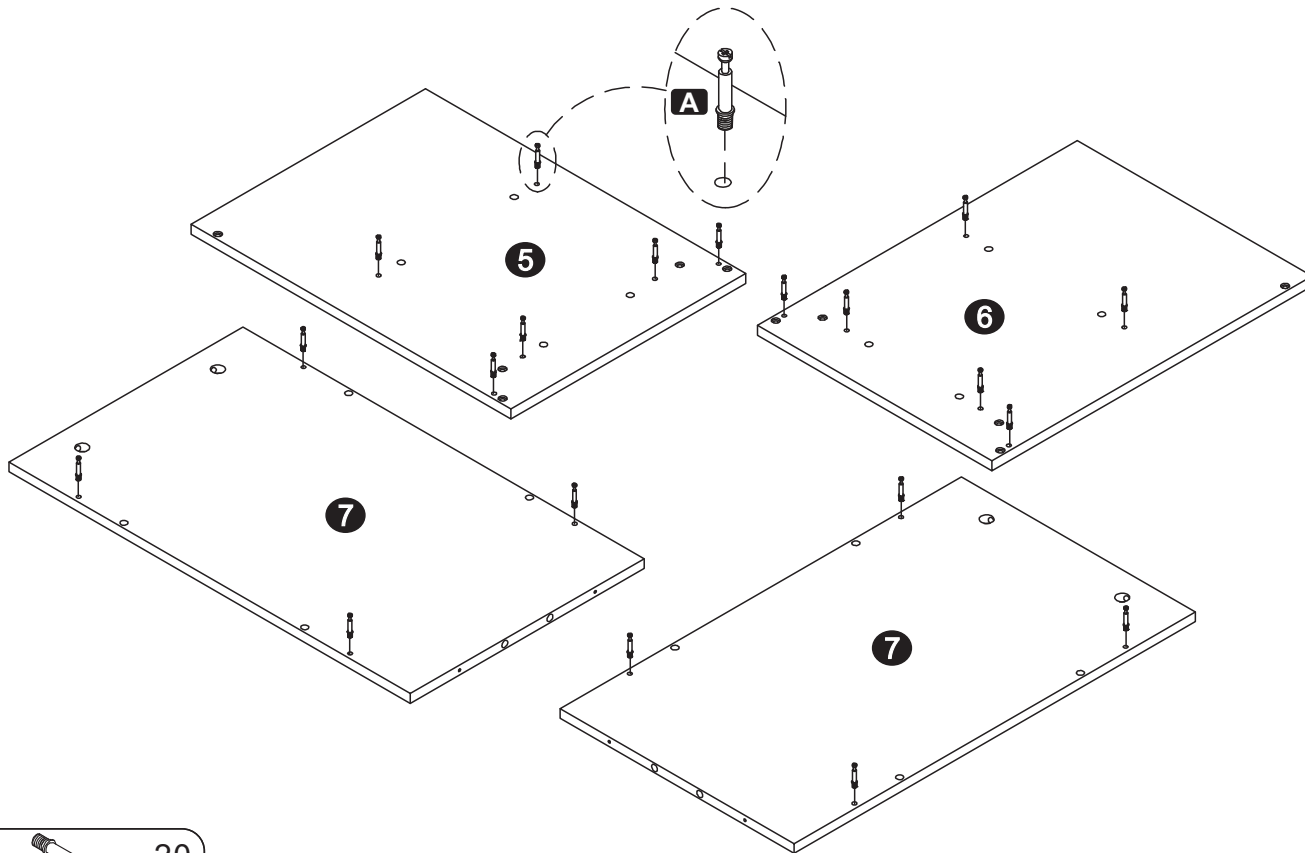
	<p>1</p>  <p>X1</p>	<p>2</p>  <p>X1</p>		
	<p>3</p>  <p>X1</p>	<p>4</p>  <p>X1</p>		
	<p>5</p>  <p>X1</p>	<p>6</p>  <p>X1</p>	<p>7</p>  <p>X2</p>	
	<p>8</p>  <p>X1</p>	<p>9</p>  <p>X1</p>	<p>10</p>  <p>X3</p>	
	<p>11</p>  <p>X3</p>	<p>12</p>  <p>X1</p>	<p>13</p>  <p>X1</p>	<p>14</p>  <p>X2</p>
	<p>15</p>  <p>X1</p>	<p>16</p>  <p>X2</p>	<p>17</p>  <p>X1</p>	<p>18</p>  <p>X1</p>
	<p>19</p>  <p>X1</p>	<p>20</p>  <p>X1</p>	<p>21</p>  <p>X1</p>	<p>22</p>  <p>X1</p>

ACCESSORY LIST

CODE	PICTURE	SIZE	QTY	CODE	PICTURE	SIZE	QTY
A		Ø6*43mm	52+3	G		Ø8*Ø4*40mm	10+1
B		Ø15*10mm	52+3	H			8
C		Ø6*30mm	46+3	J			2
D		Ø7*Ø3.5*12mm	27+3	K			2
E			1	L			2
F		1/4"*20mm	6	WALL MOUNTING KIT			
WA		Ø8*Ø4*40mm	2				
WC			4	WD			2
WE		Ø8*Ø4*20mm	2	※Screw WE is not needed throughout installation, please just keep it.			

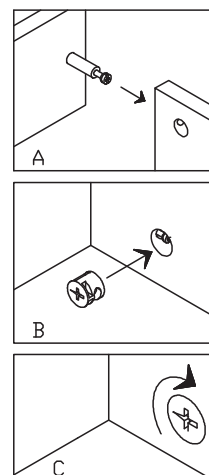
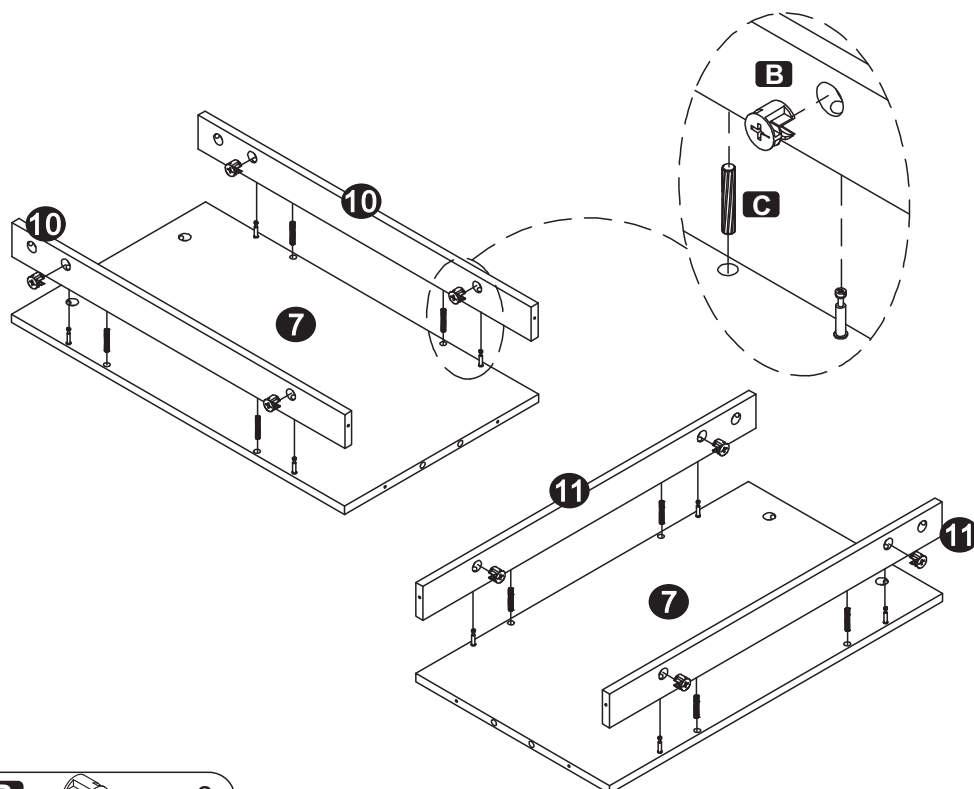



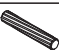
STEP 2



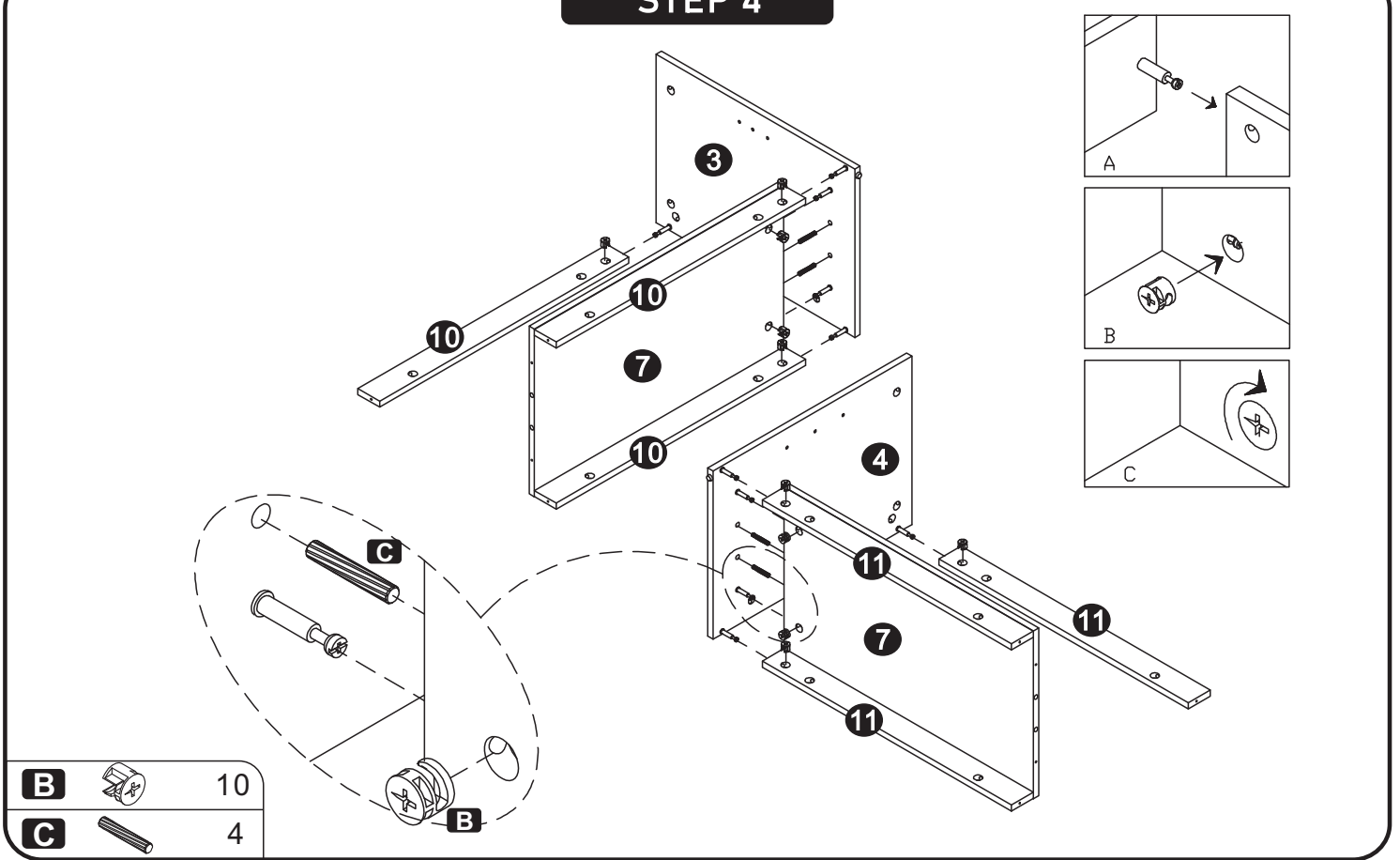
A  20

STEP 3

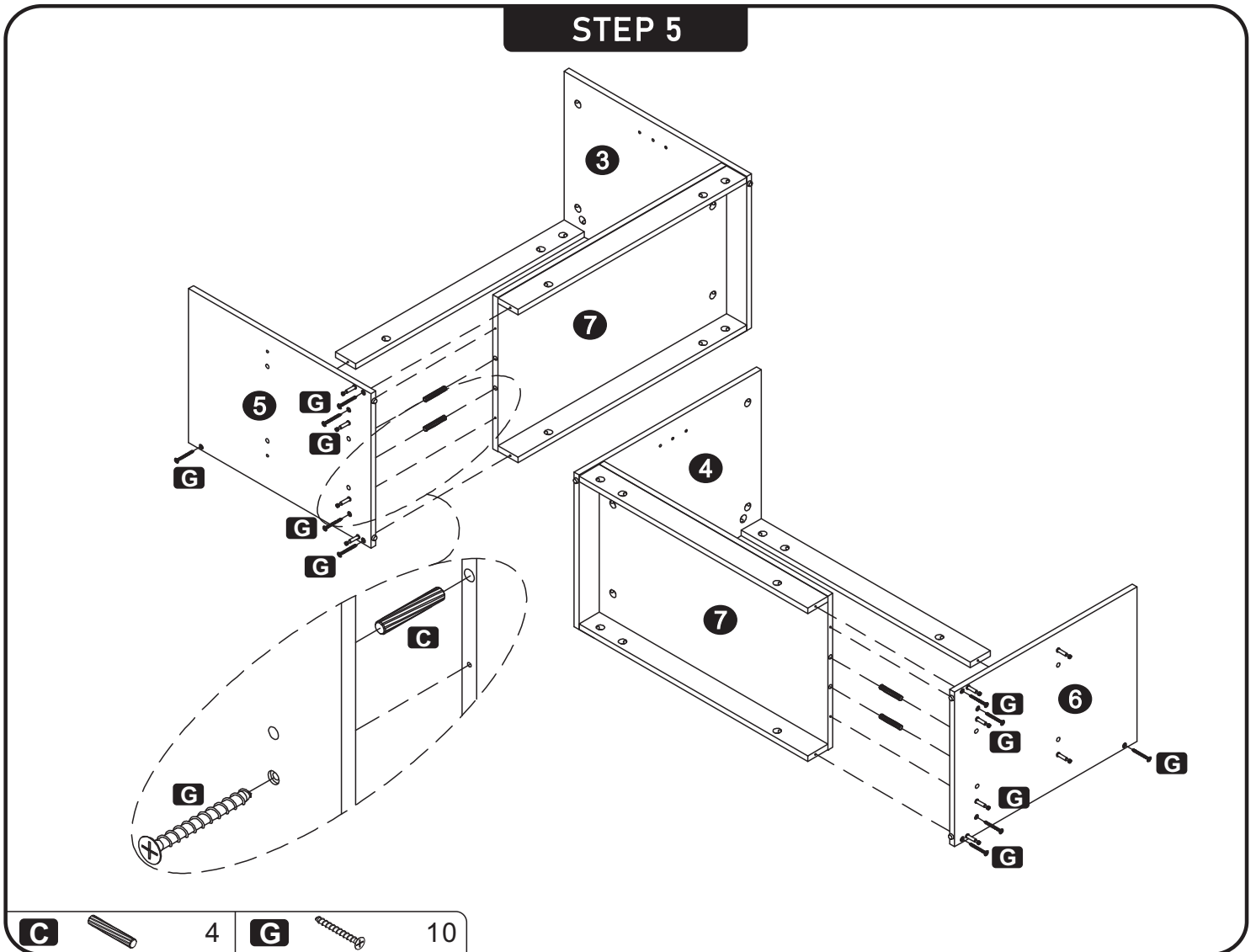


B  8
C  8

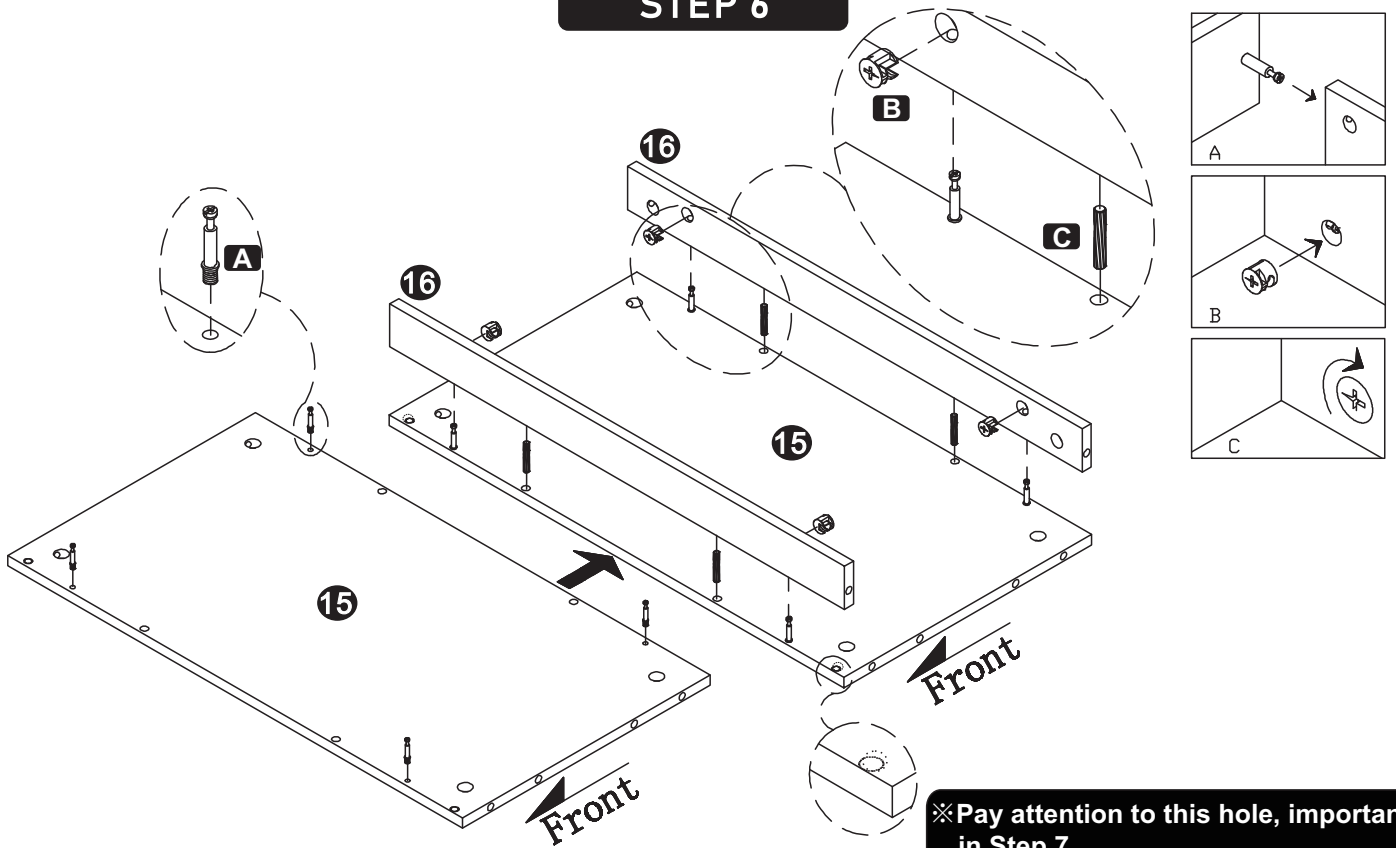
STEP 4



STEP 5



STEP 6



※Pay attention to this hole, important in Step 7.

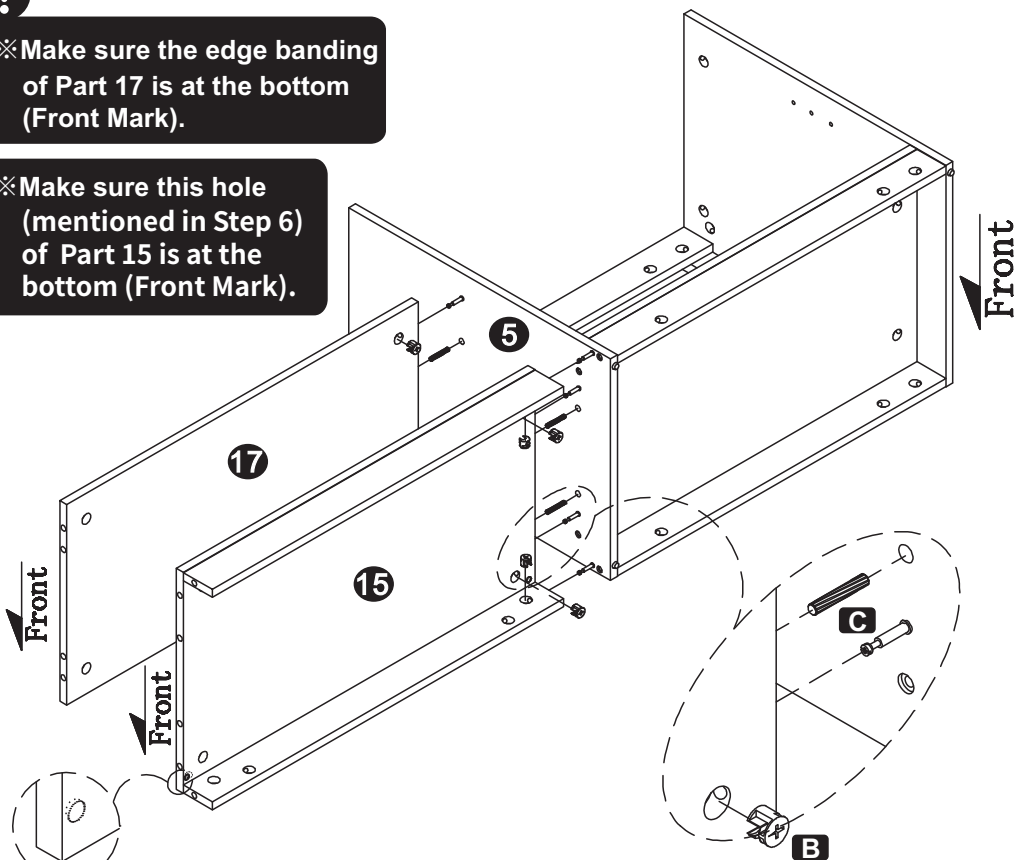
※After installing Part 16, the hole could be found on the other side of Part 15.



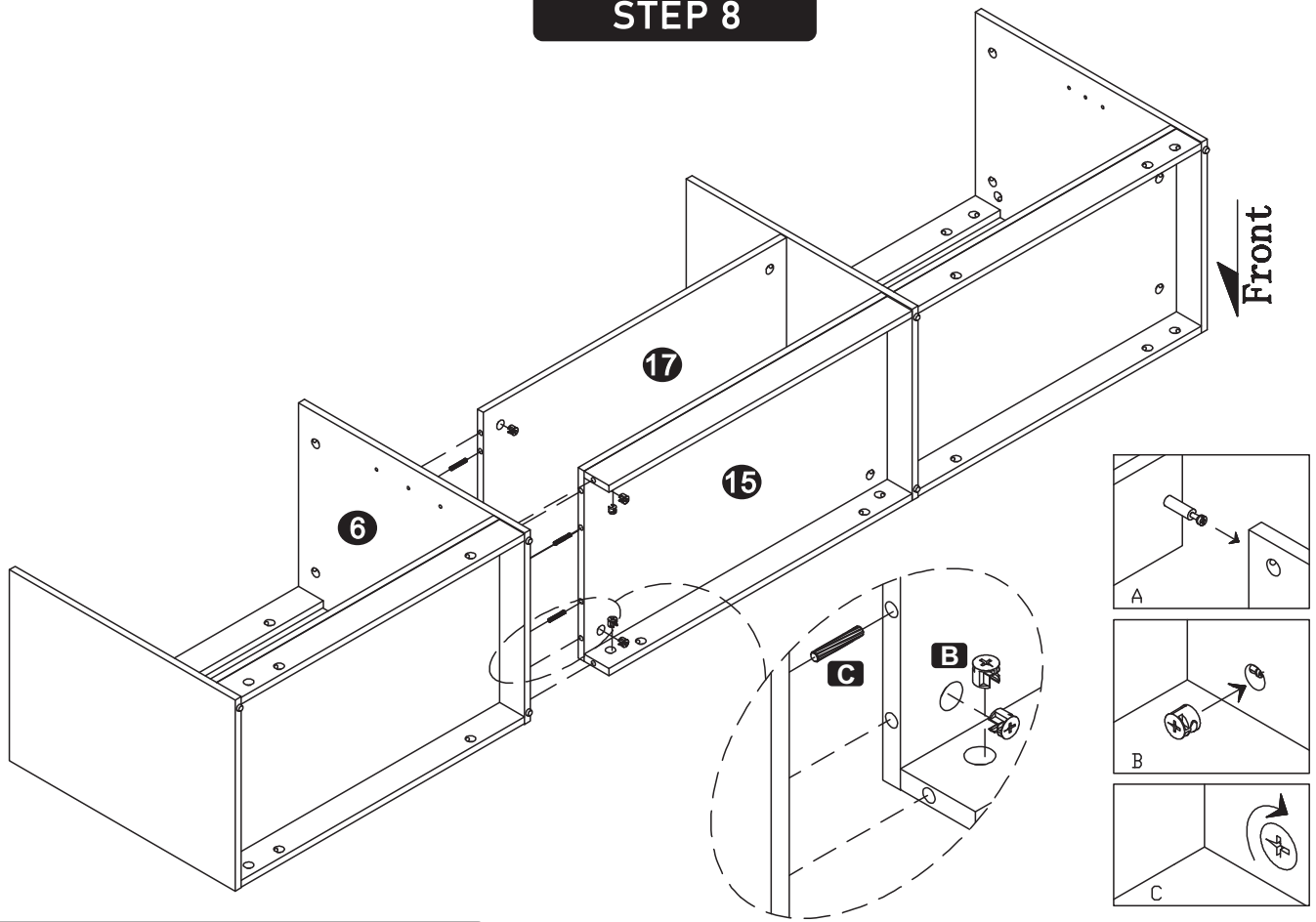
STEP 7

! ※Make sure the edge banding of Part 17 is at the bottom (Front Mark).

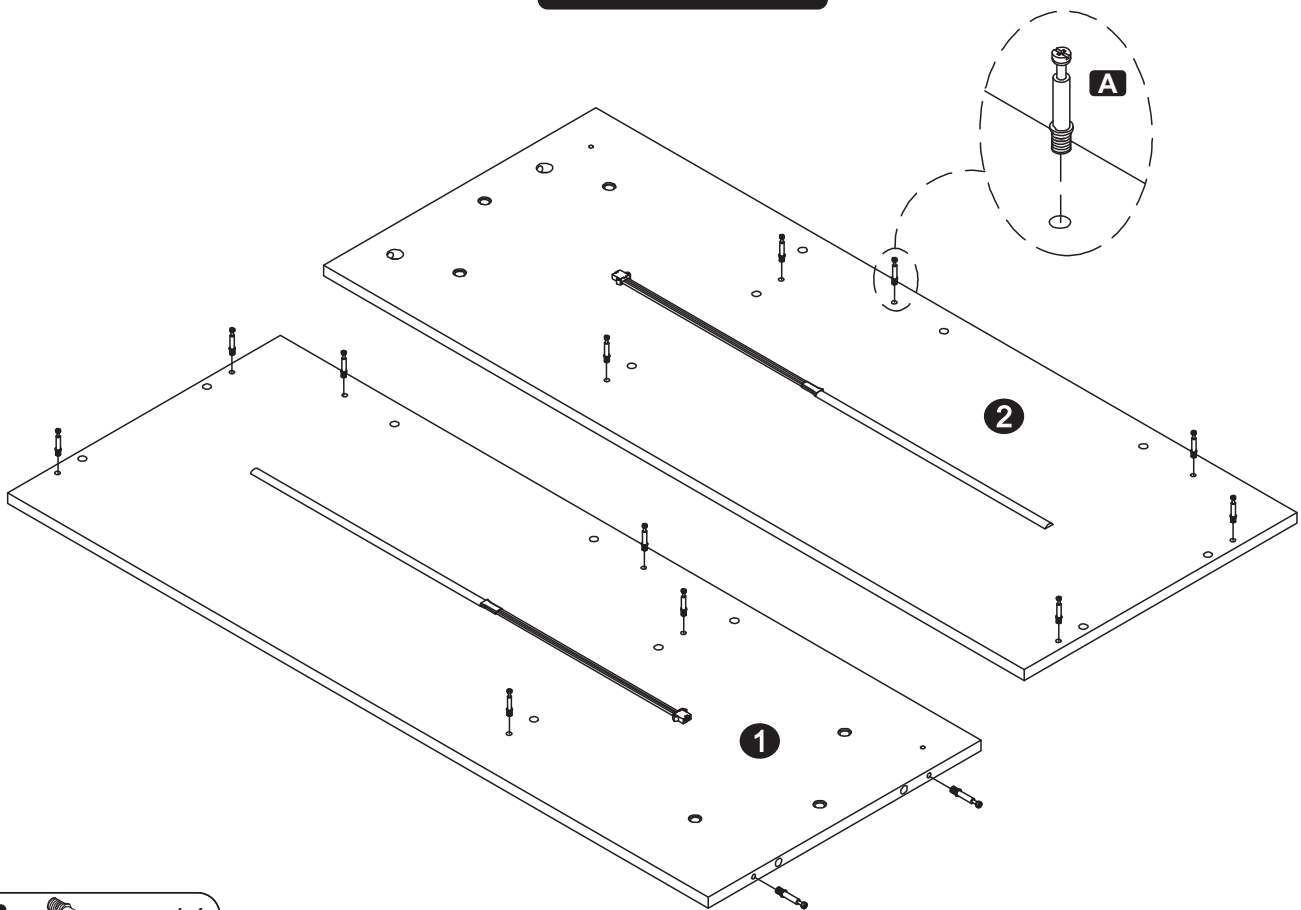
※Make sure this hole (mentioned in Step 6) of Part 15 is at the bottom (Front Mark).



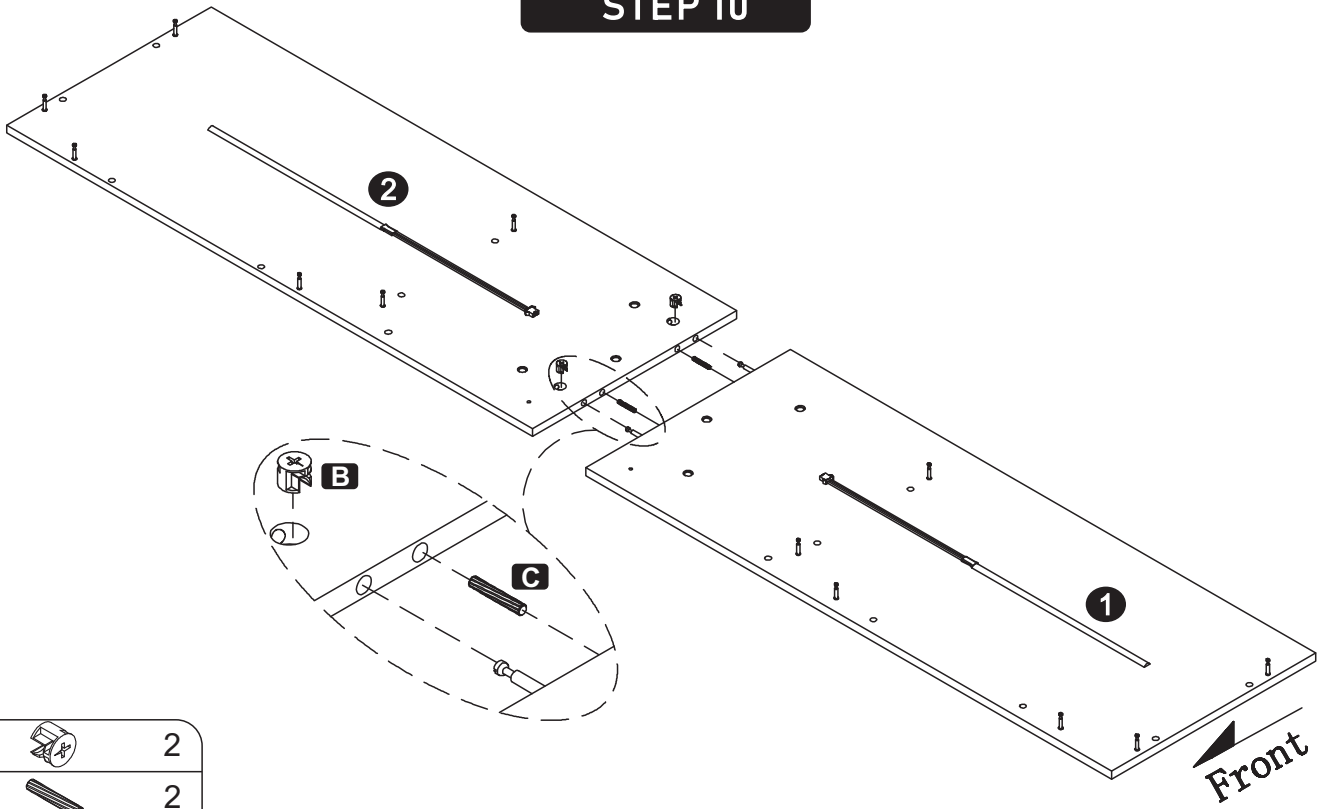
STEP 8





STEP 9

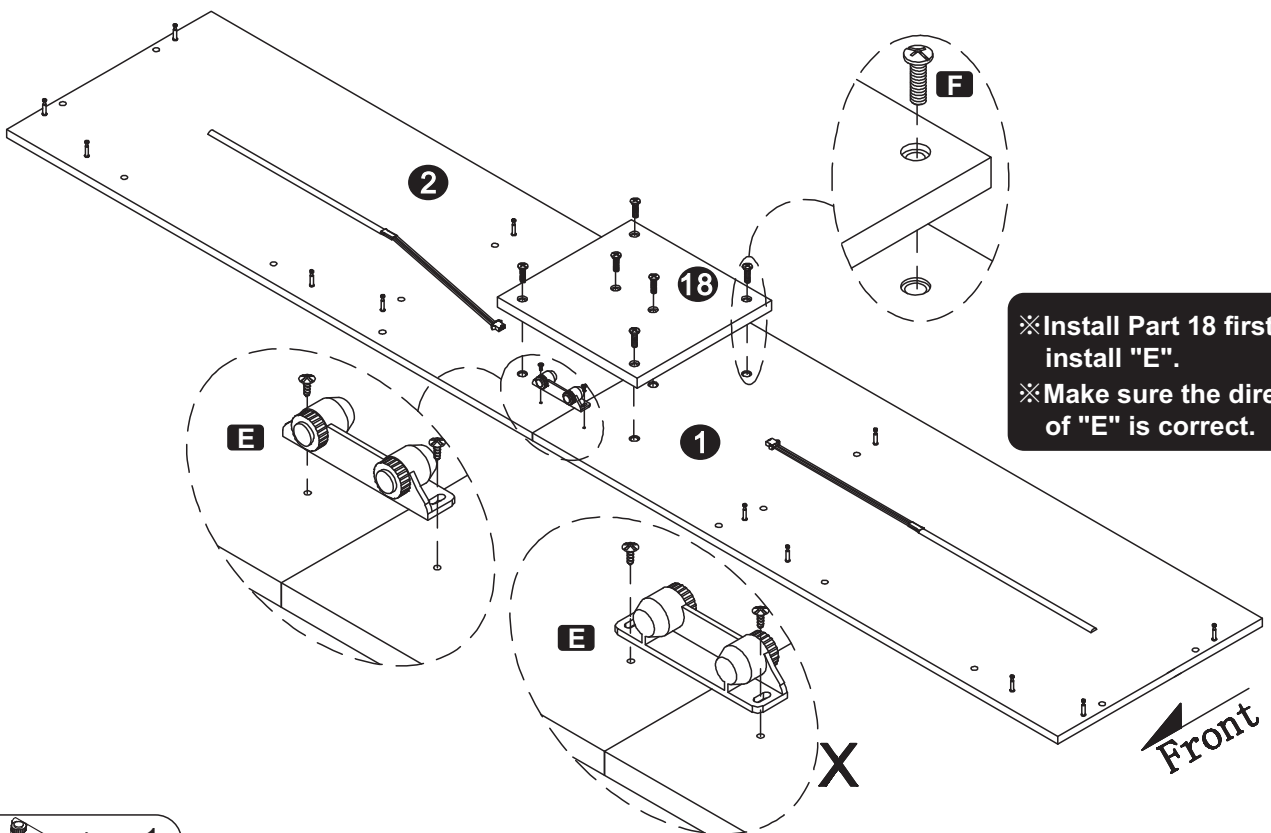


STEP 10

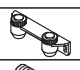



B		2
C		2

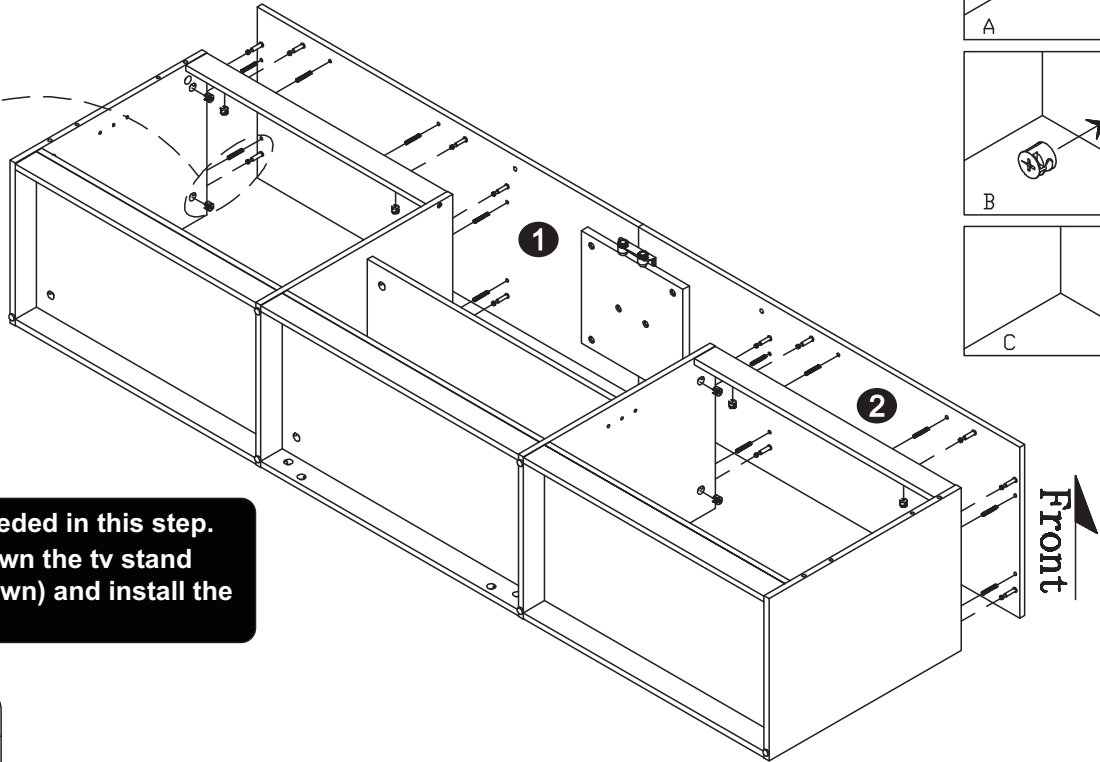
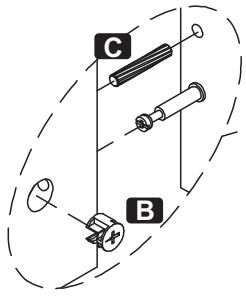
STEP 11



※Install Part 18 first, then install "E".
 ※Make sure the direction of "E" is correct.

E		1
F		6

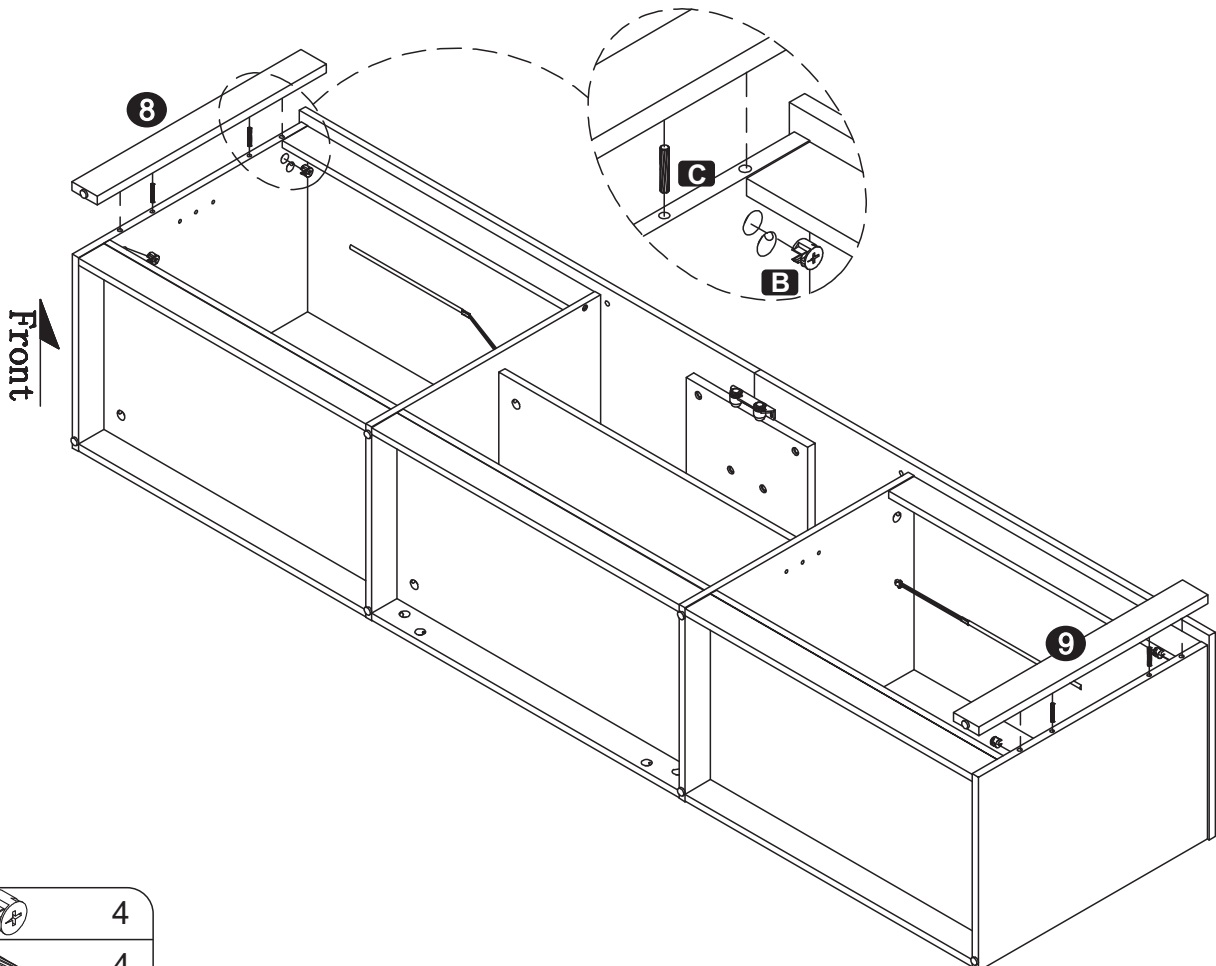
STEP 12



※Two persons needed in this step.
 ※Carefully put down the tv stand
 (as drawing shown) and install the
 board.

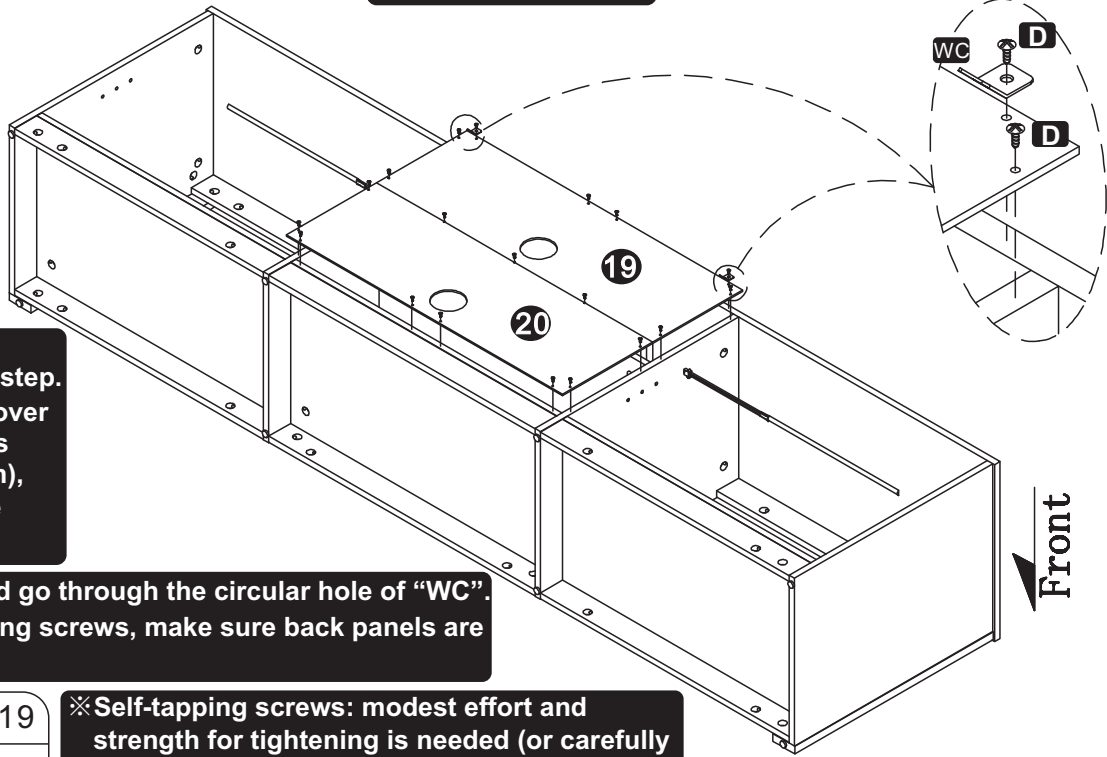
B		12
C		12

STEP 13





B		4
C		4

STEP 14



※Two persons needed in this step.
 ※Carefully turn over the tv stand (as drawing shown), then install the back panels.

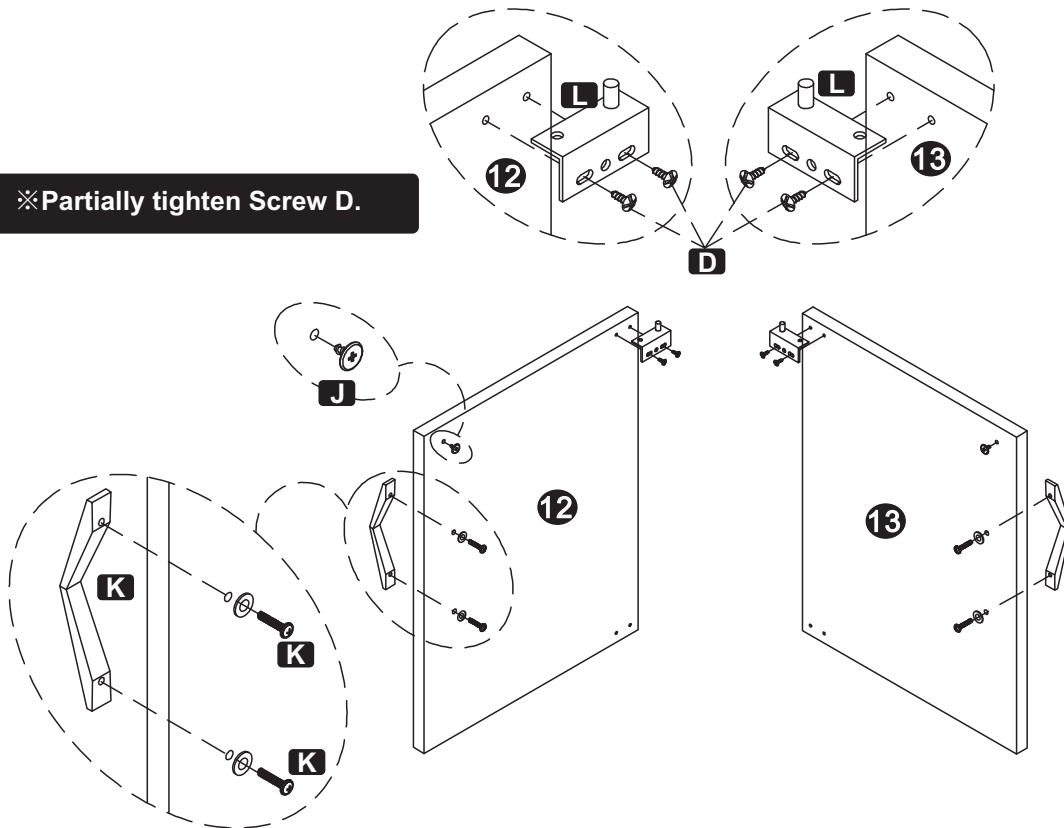
※Screw D should go through the circular hole of "WC".
 ※Before tightening screws, make sure back panels are well aligned.

D		19
WC		2

※Self-tapping screws: modest effort and strength for tightening is needed (or carefully use electric screwdriver).

STEP 15

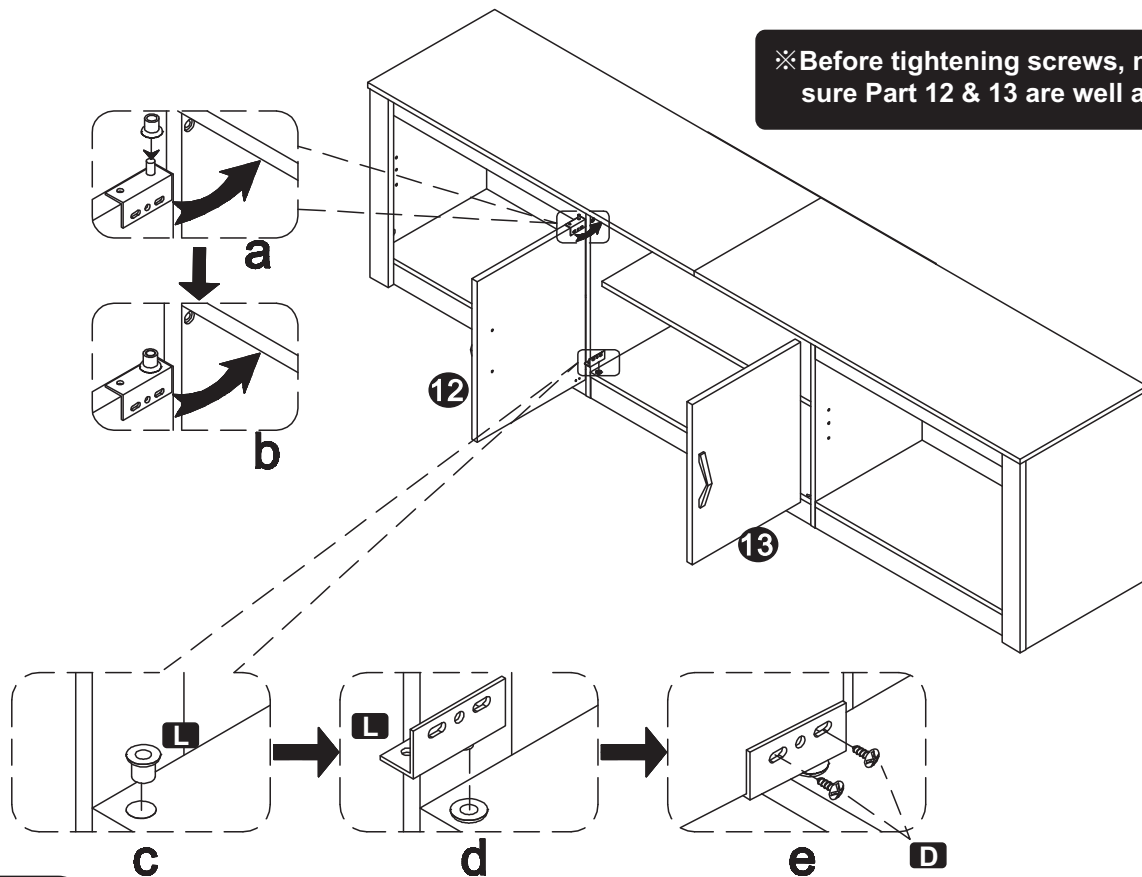
※Partially tighten Screw D.





D		4	J		2
L		2	K		2

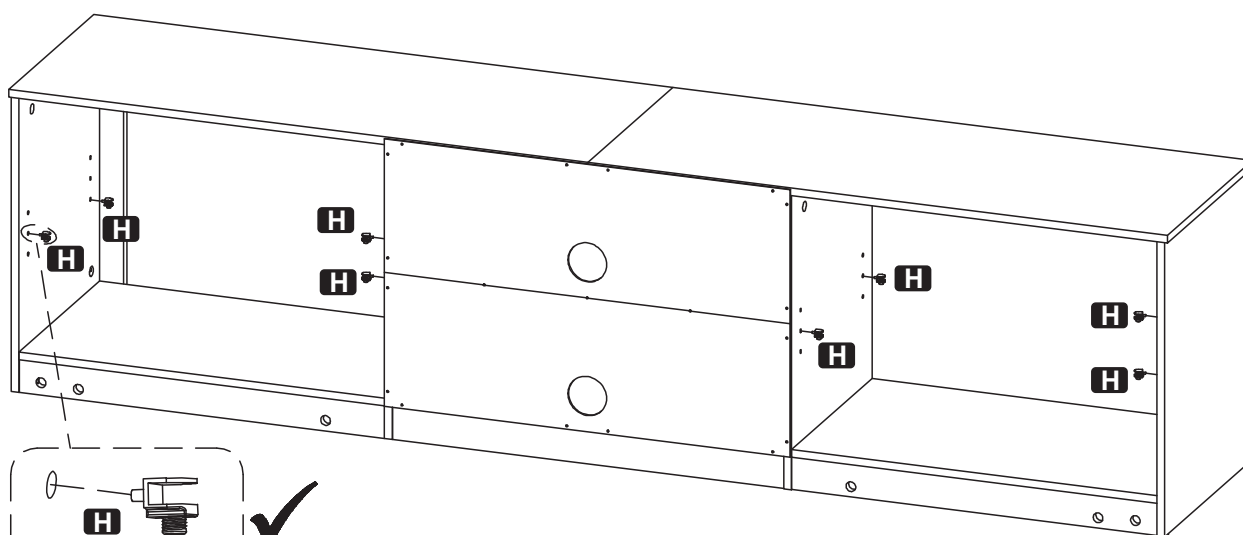
STEP 16

※Before tightening screws, make sure Part 12 & 13 are well aligned.



D		4
L		2

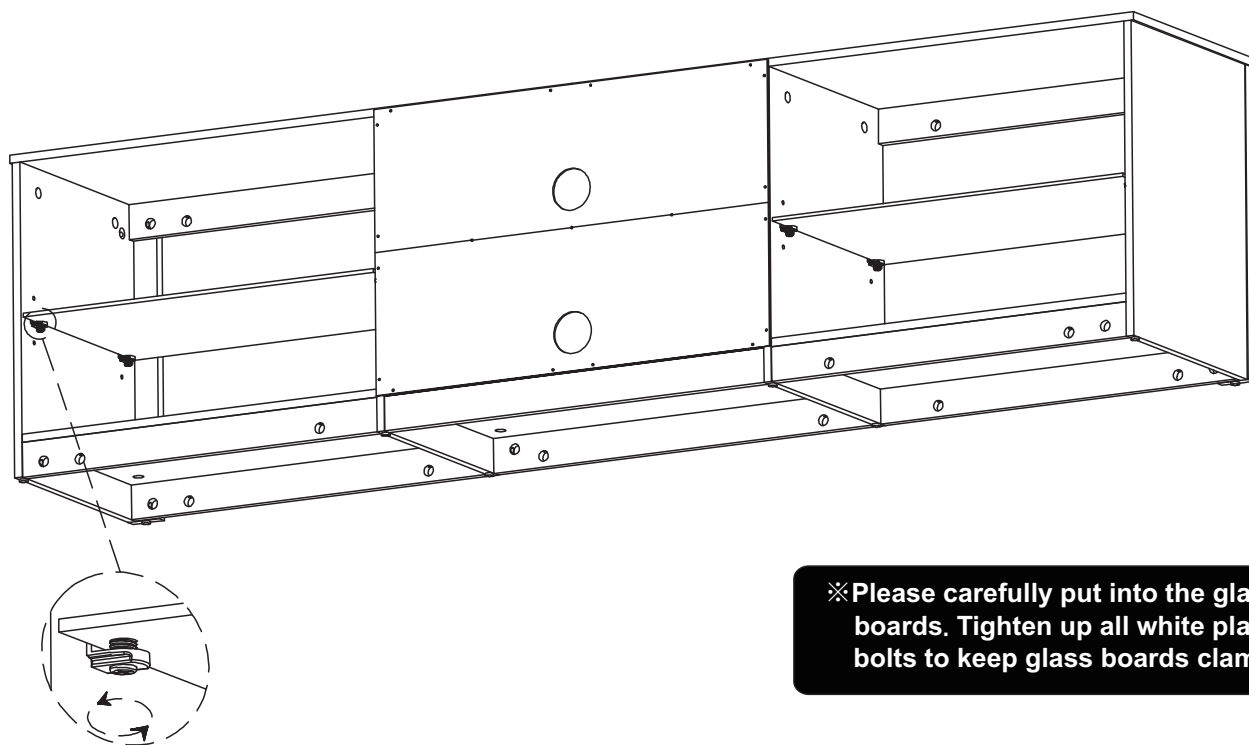
STEP 17



※In order to place glass boards, partially loosen the white plastic bolt of "H" until it is flushed with the lower metal part.

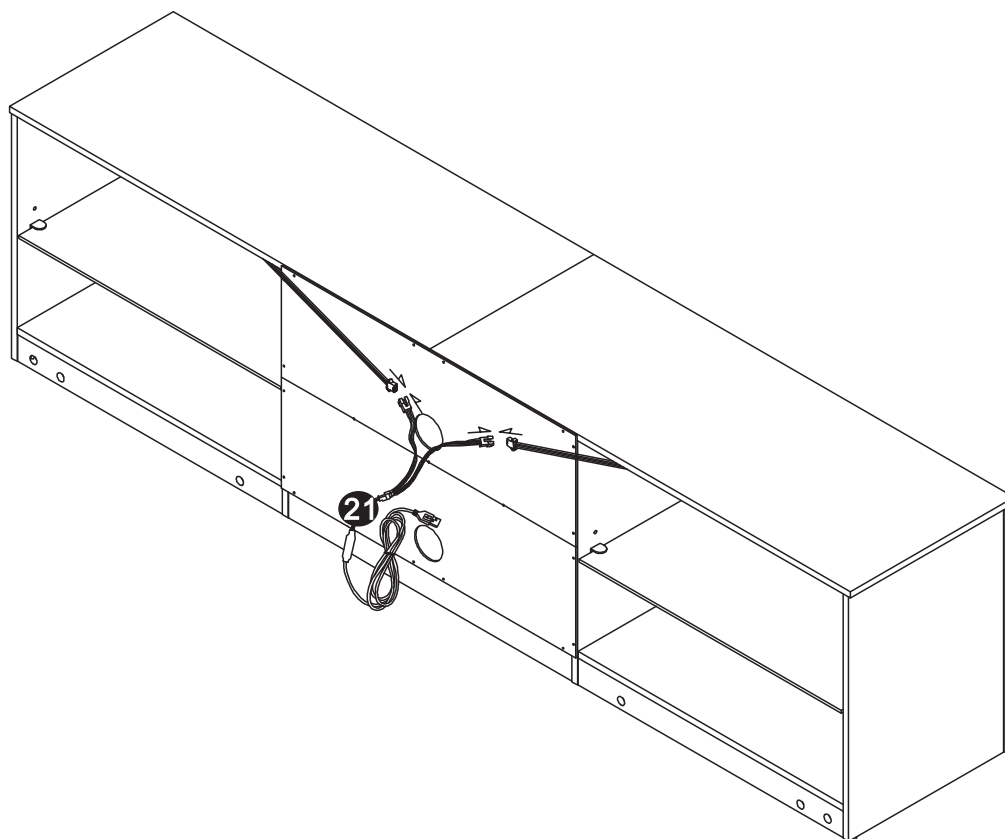
H		8
----------	---	---

STEP 18

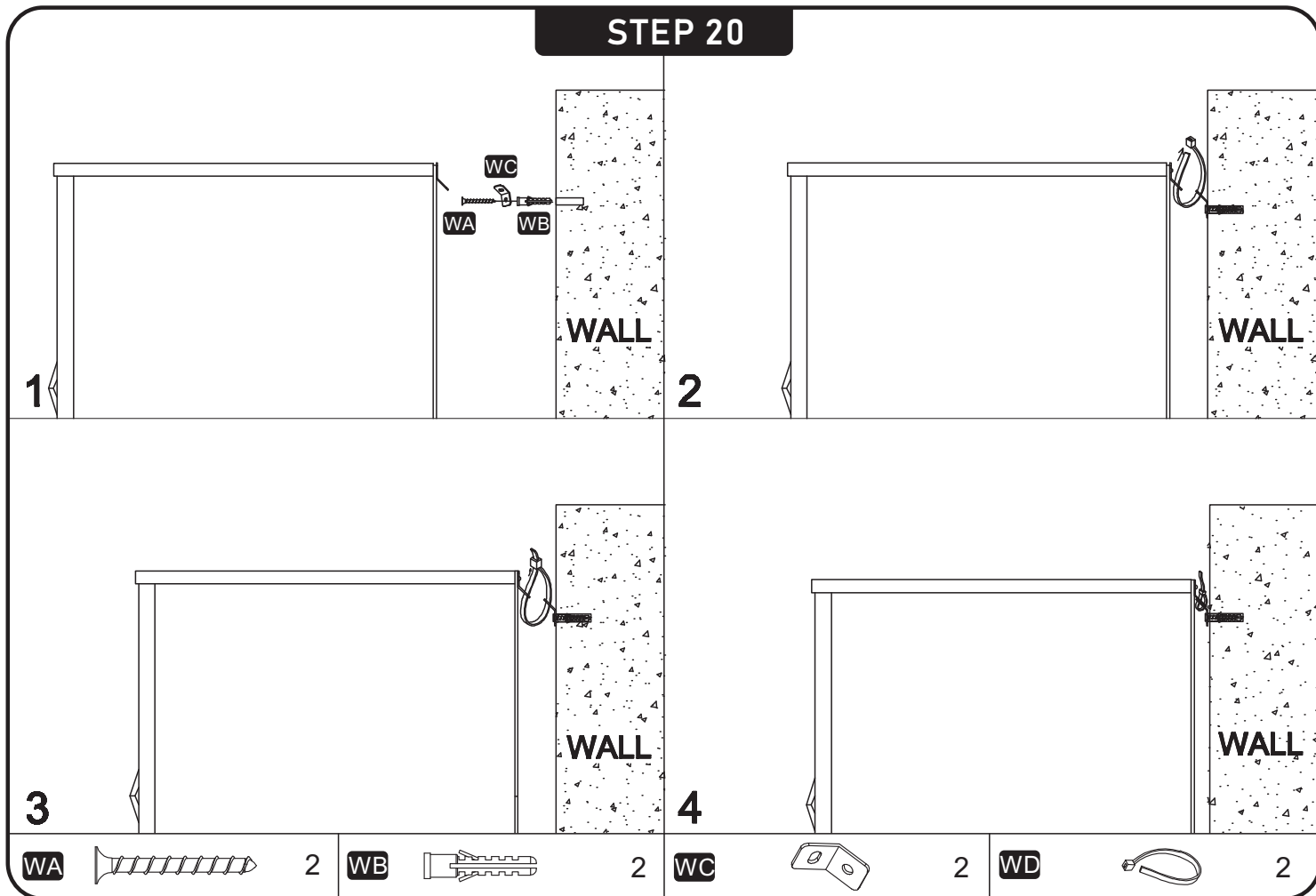


※Please carefully put into the glass boards. Tighten up all white plastic bolts to keep glass boards clamped.

STEP 19



STEP 20



※Please fasten the TV stand to your wall for protection and safety.

1. Drill 2 holes (dia 5/16") in the wall and insert WB into holes.

Hole position: approximately 2" BELOW the corresponding positions of WC installed on the TV stand.

※You may need to use rubber mallet for tapping WB.

2. Use WA to connect WB with WC.

※WA must go through the circular hole of WC and make sure the tab with oval hole is UPWARD.

3. Use WD to connect the corresponding WCs and tighten them as desired before locking in place.