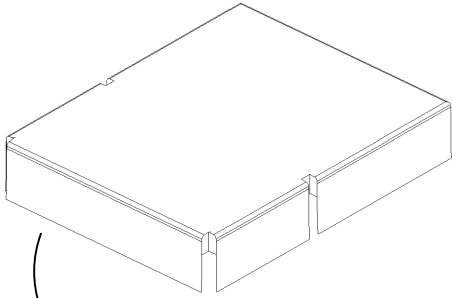


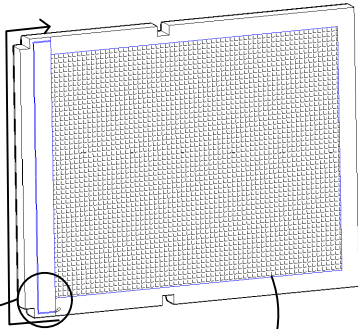
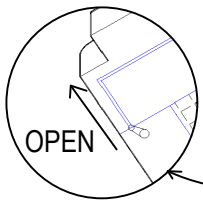
ASSEMBLY INSTRUCTIONS

DAYBED with SLIP COVER - CUSHION COVER

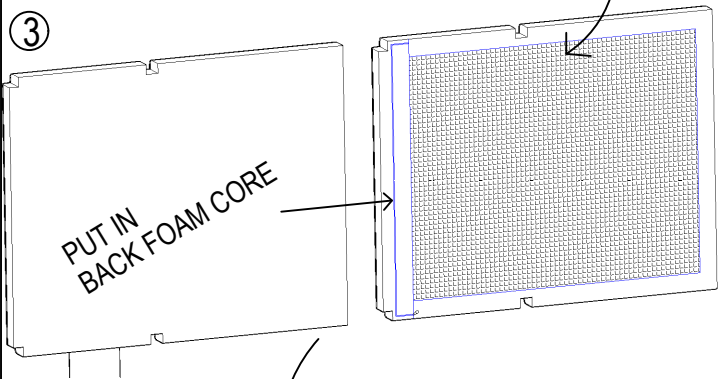
① TOP



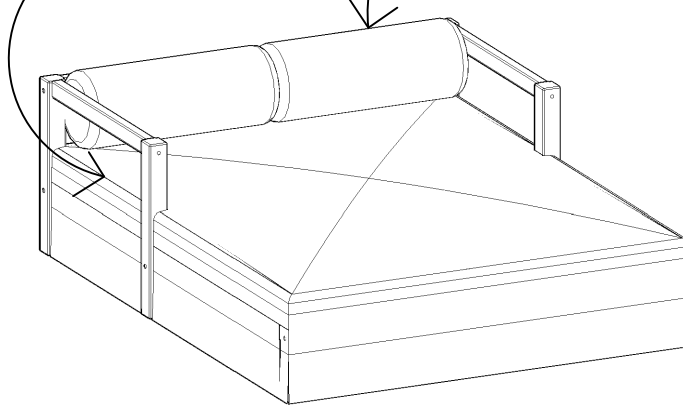
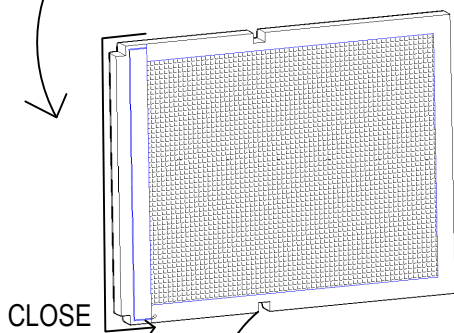
② BOTTOM



③

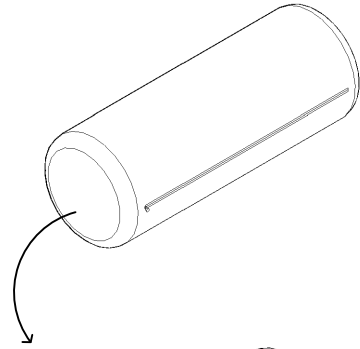


④

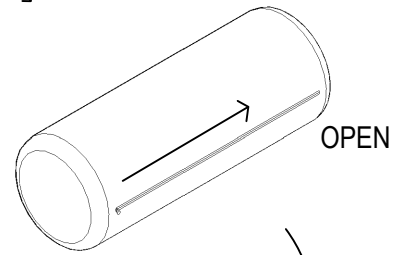


PILLOW COVER

①

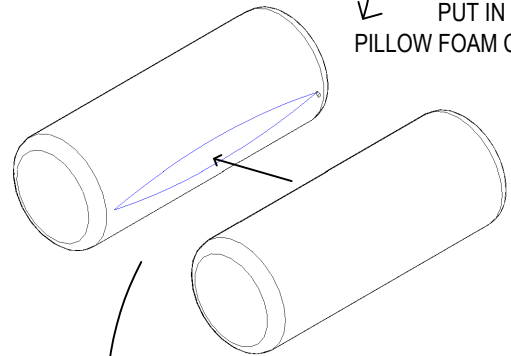


②



③

PUT IN
PILLOW FOAM CORE



④

CLOSE

