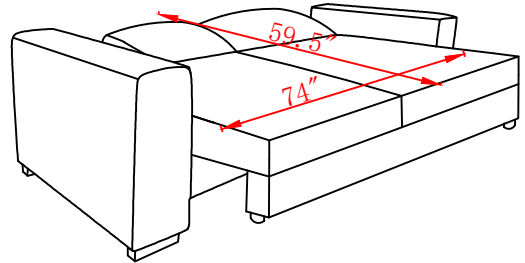
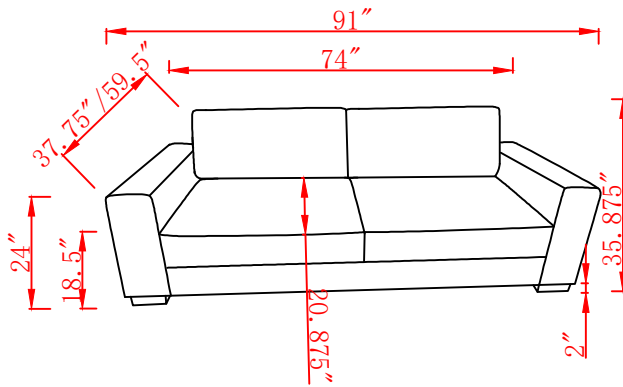






ASSEMBLY INSTRUCTIONS



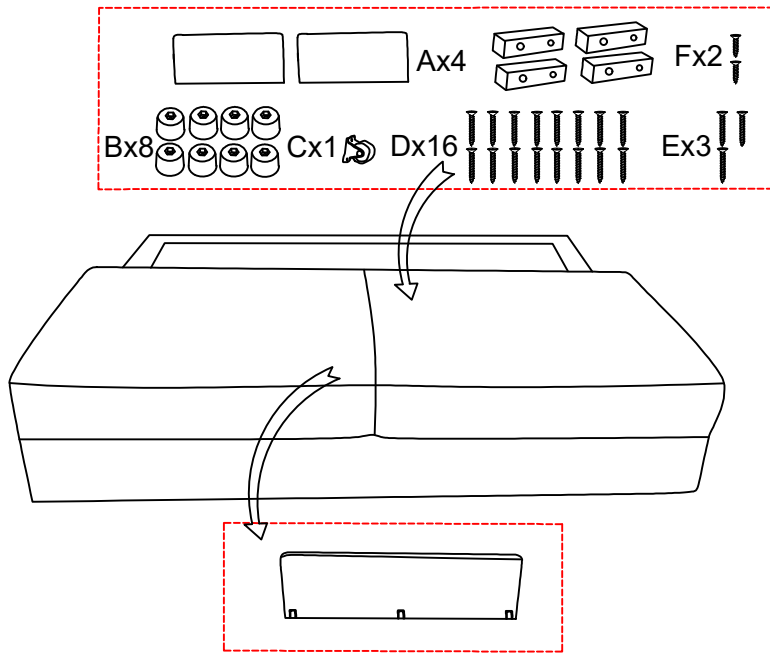
No.	Description		Qty	Ctn no.
#1	SOFA		1	1/1
#2	ARM		1	1/1
#3	ARM		1	1/1
#4	BackCushion		2	1/1

No.	Description	Size	Picture	Qty	Ctn no.
#A	Leg	180*50*50mm		4	1/1
#B	Leg	50*50mm		8	1/1
#C	Leg	H50mm		1	1/1
#D	Screw for leg	M5*45mm		16	1/1
#E	Screw for leg	M5*40mm		3	1/1
#F	Screw for leg	M5*25mm		2	1/1

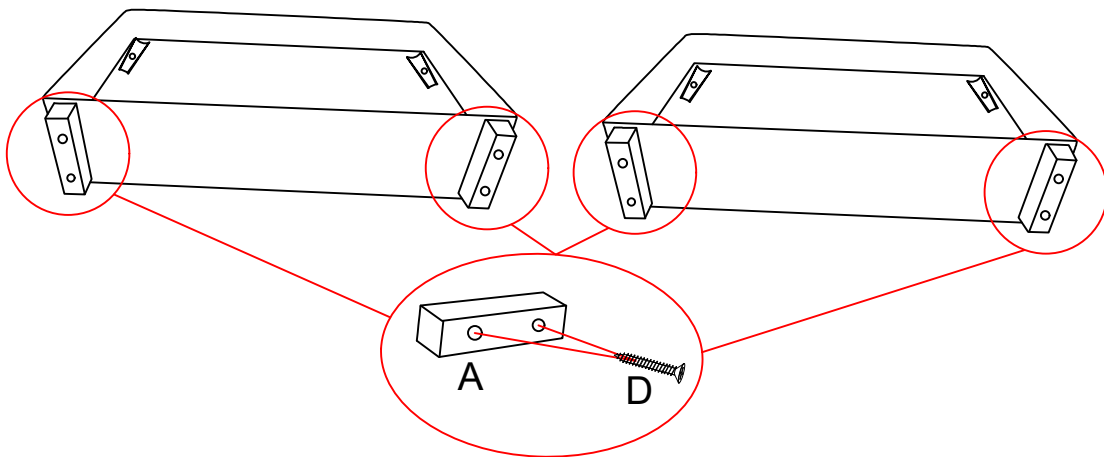
Pattern of sofa reference only.

TOOLS REQUIRED	
	
2 -People Recommended	power tools (Not included)

step1

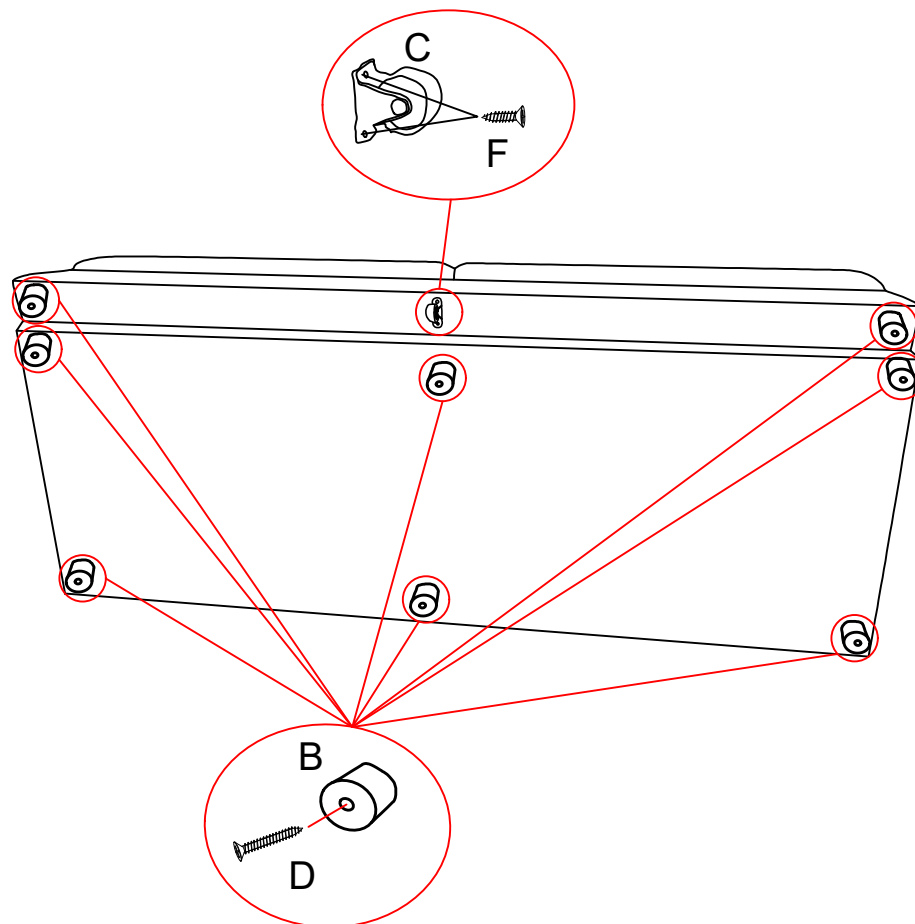


step2

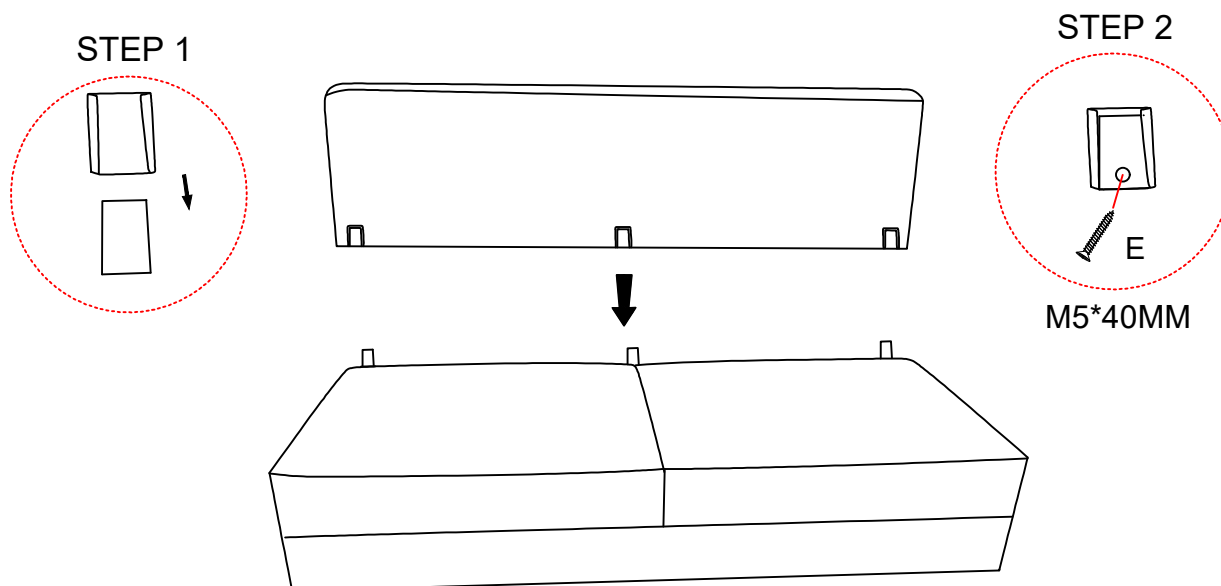


Install the sofa legs at the positions marked on the bottom according to the signs and fix them with screws. It is recommended to use an electric drill for an easier installation. If there is no electric drill, a handheld screwdriver can also be used.

step3

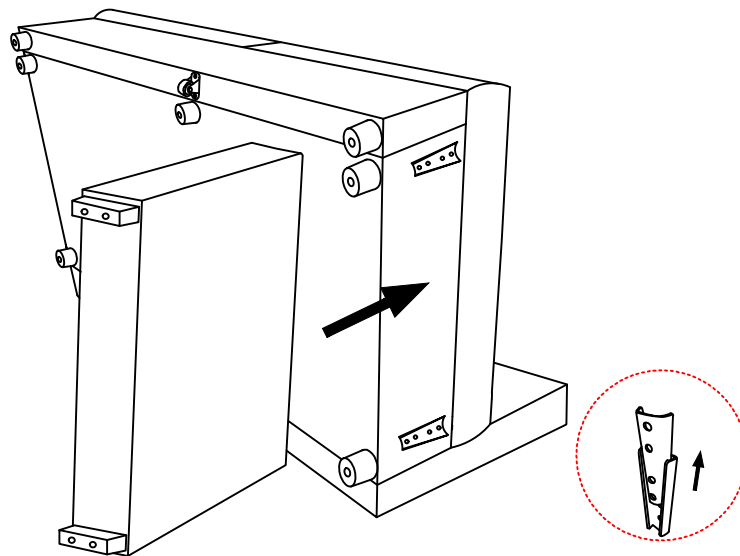


step4



It is recommended that two people assemble the sofa backrest frame. Insert the metal iron sheet at the back of the sofa into the metal card slot of the backrest frame and then fix it with screws so that it will not slip off. Otherwise, if the sofa is turned over, the armrest cannot be installed. The armrest is relatively wide and the conical buckles will not align.

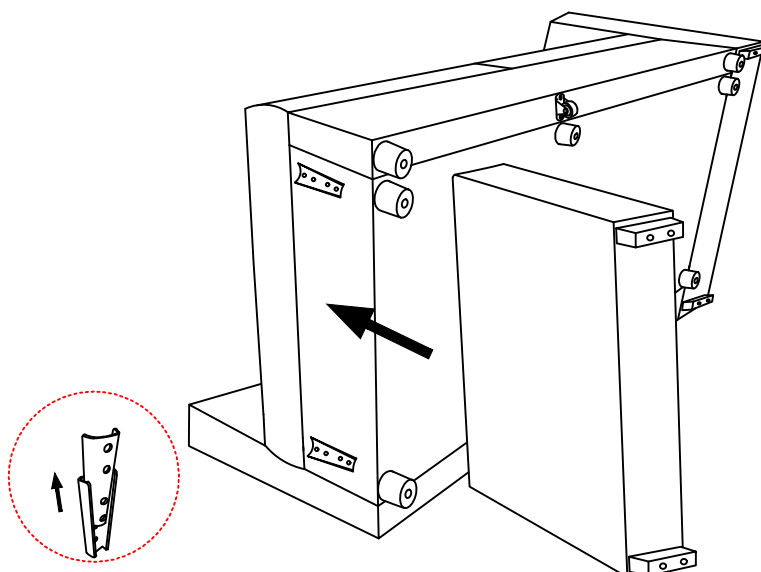
step5



Turn the sofa over and stand it up. Hold the sofa armrest vertically. Align the top of the conical plug of the sofa armrest with the lower side of the conical plug on the side of the sofa. Ensure that it can cover the conical plug on the side of the sofa and make it stuck from left to right.

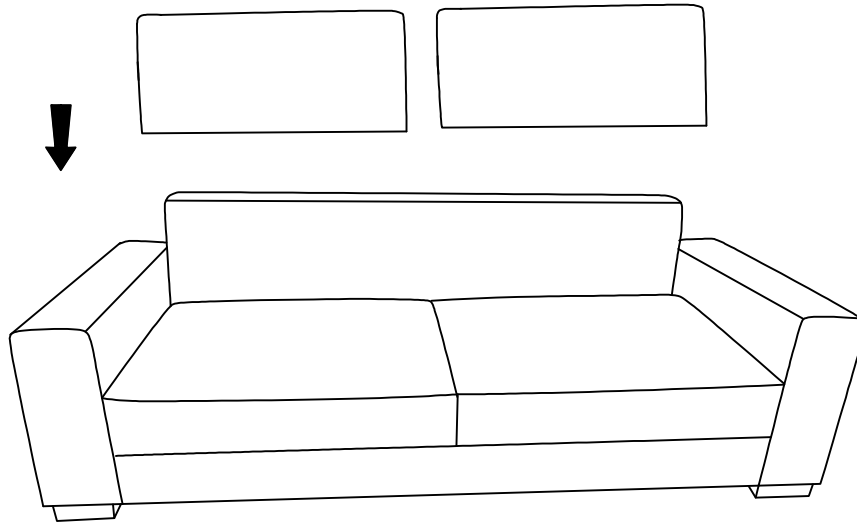
step6

Perform the same operation on the other side. Then turn the sofa over and sit on it to make it more stable. During the assembly process, it is recommended that two people assemble the sofa as it will be easier.



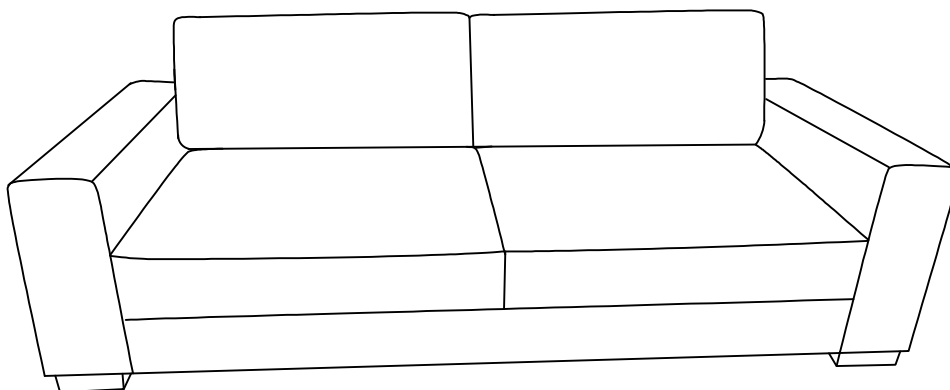
step7

Put the sofa throw pillow in place.

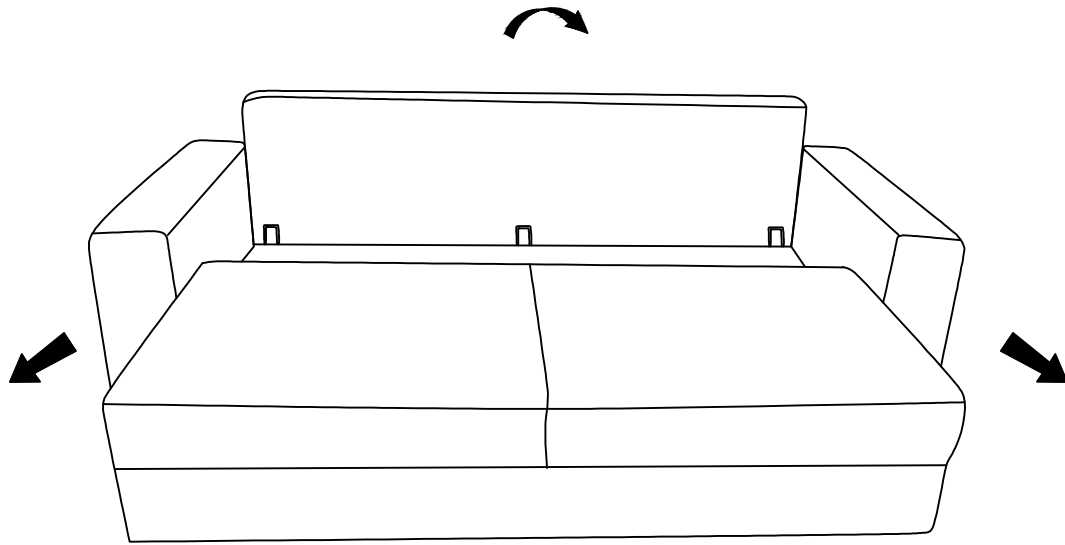


step8

As shown in the picture, you will get the assembled sofa.

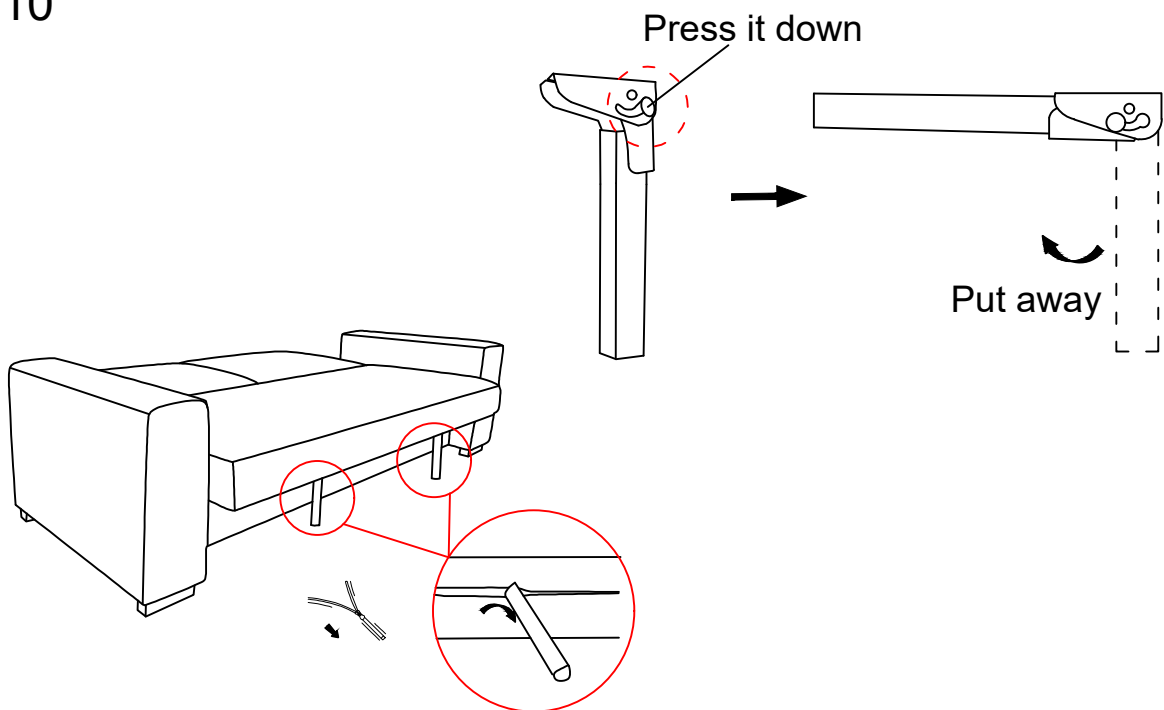


step9



Slide the sofa out and flip the backrest frame forward.

step10



Open the zipper at the bottom. Unfold the hardware folding feet to play the role of supporting the backrest frame. If you want to fold it up, you need to press down the small raised button next to the folding feet and then fold up the feet.