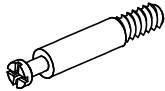
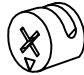
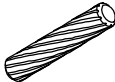

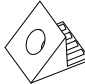
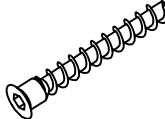

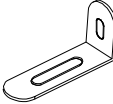

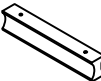
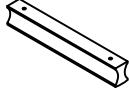



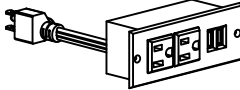

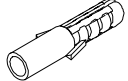

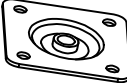

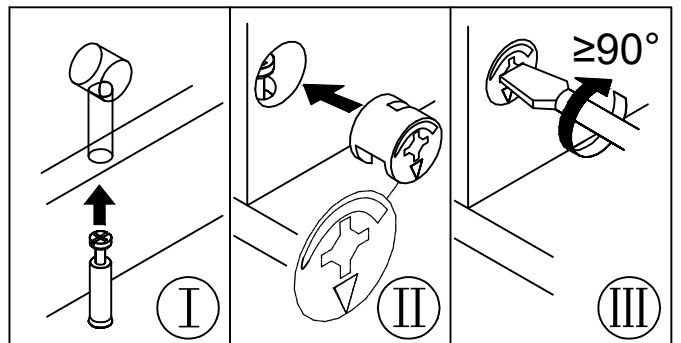
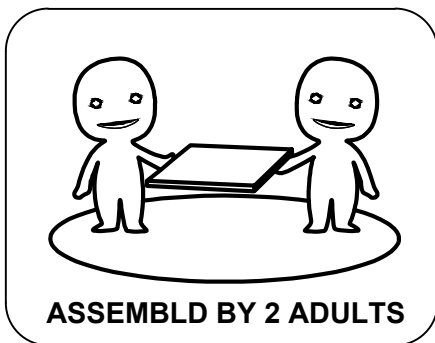
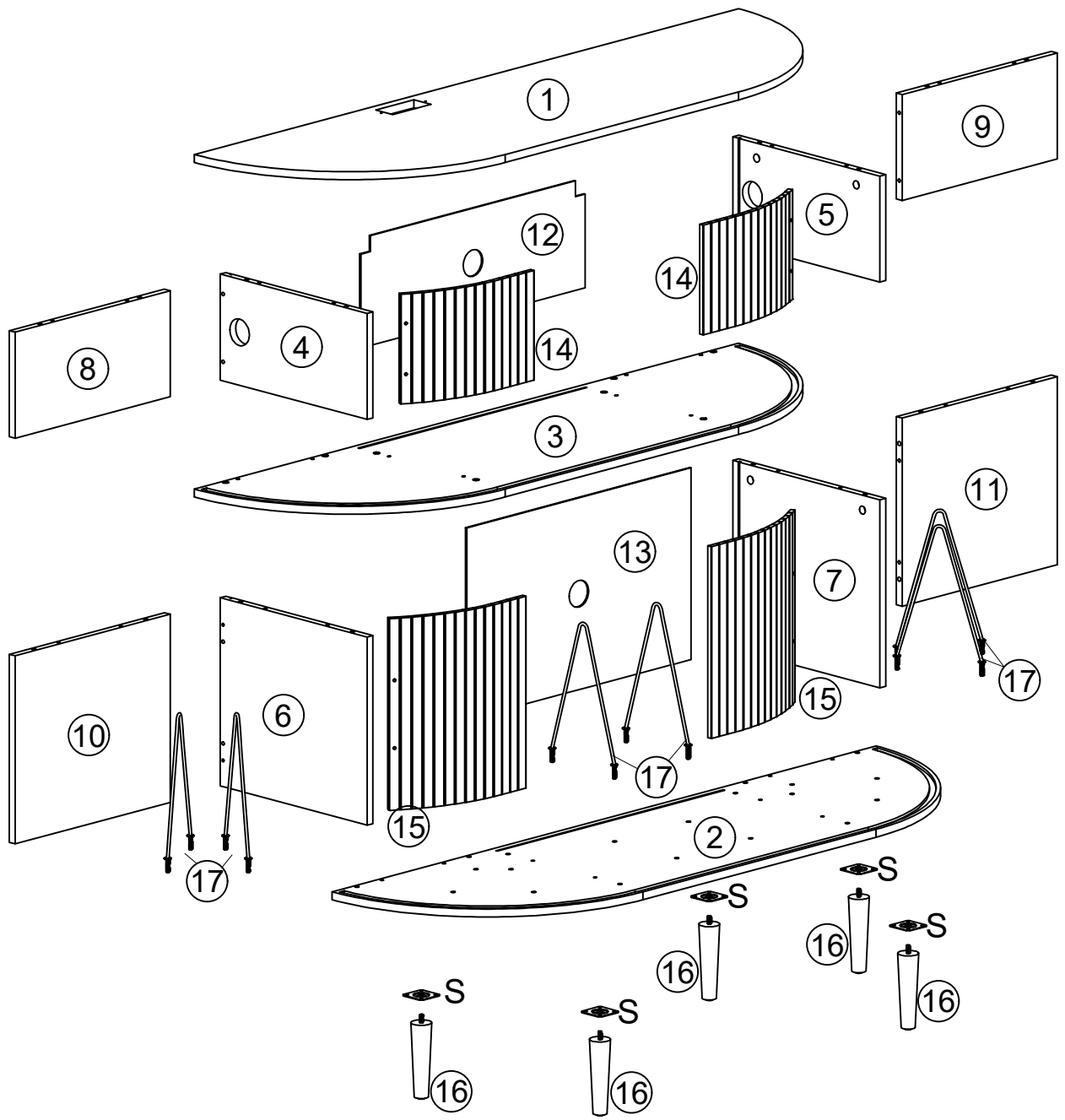


| A×20PCS | B×20PCS | C×40PCS | D×8PCS | E×8PCS |
|--|---|--|--|---|
|  M6×35mm |  Ø15×12mm |  Ø6×30mm |  Ø3.5×14mm |  |
| F×16PCS | G×22PCS | H×2PCS | I×12PCS | J×2PCS |
|  Ø6×50mm |  Ø4×14mm |  |  M6mm |  |
| K×2PCS | L×1PC | M×4PCS | N×2PCS | O×1PC |
|  |  M4mm |  M4×18mm |  Ø3×14mm |  |
| P×2PCS | Q×2PCS | R×10PCS | S×5PCS | T×1PC |
|  Ø4×35mm |  Ø6×30mm |  |  |  |

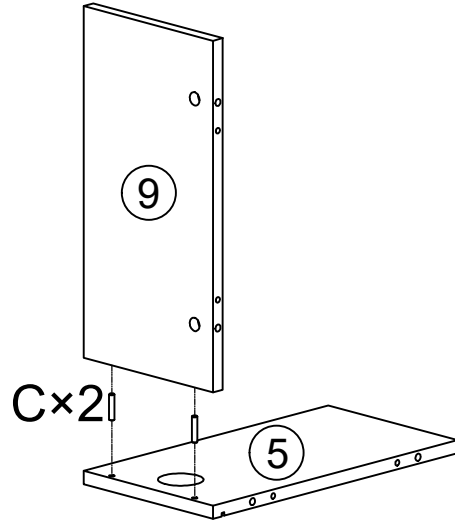
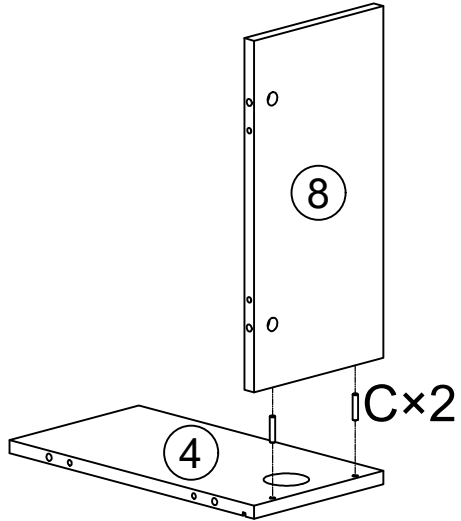


1.

C×4PCS

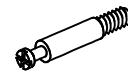


Ø6×30mm



2.

A×8PCS



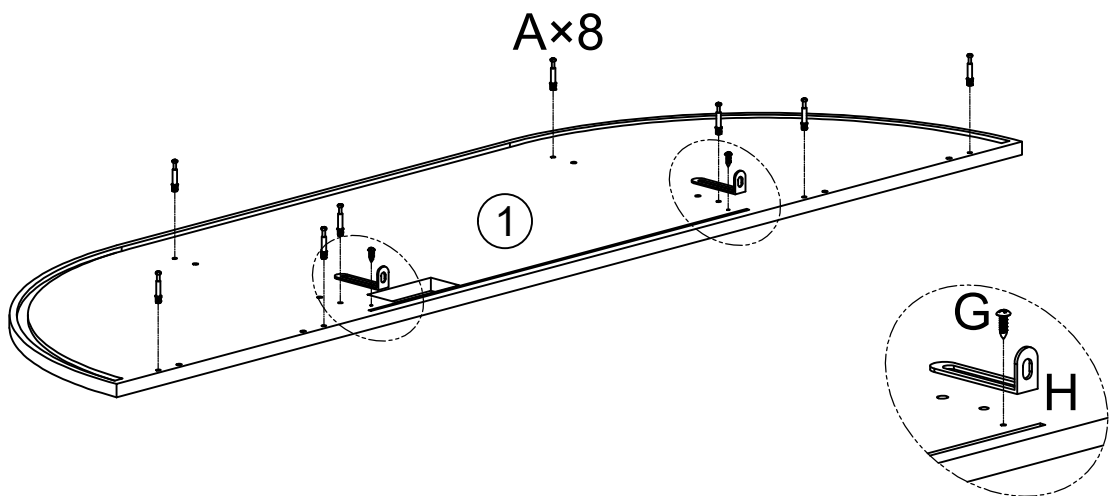
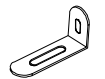
M6×35mm



G×2PCS



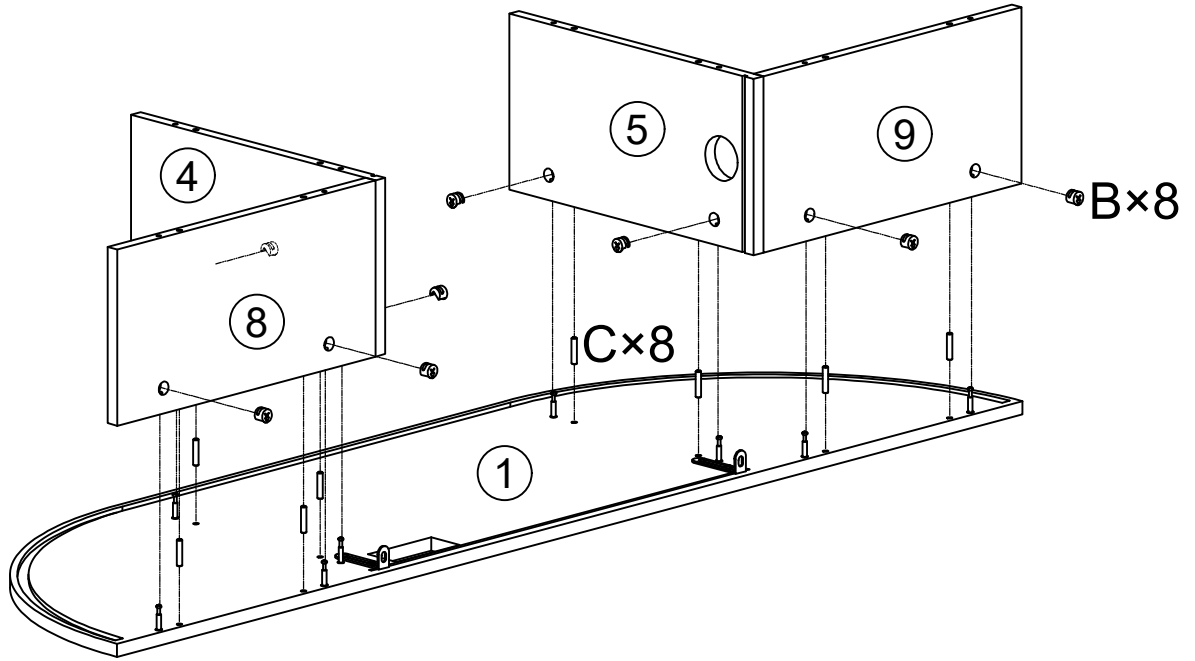
Ø4×14mm

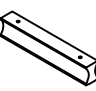
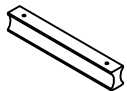

H×2PCS



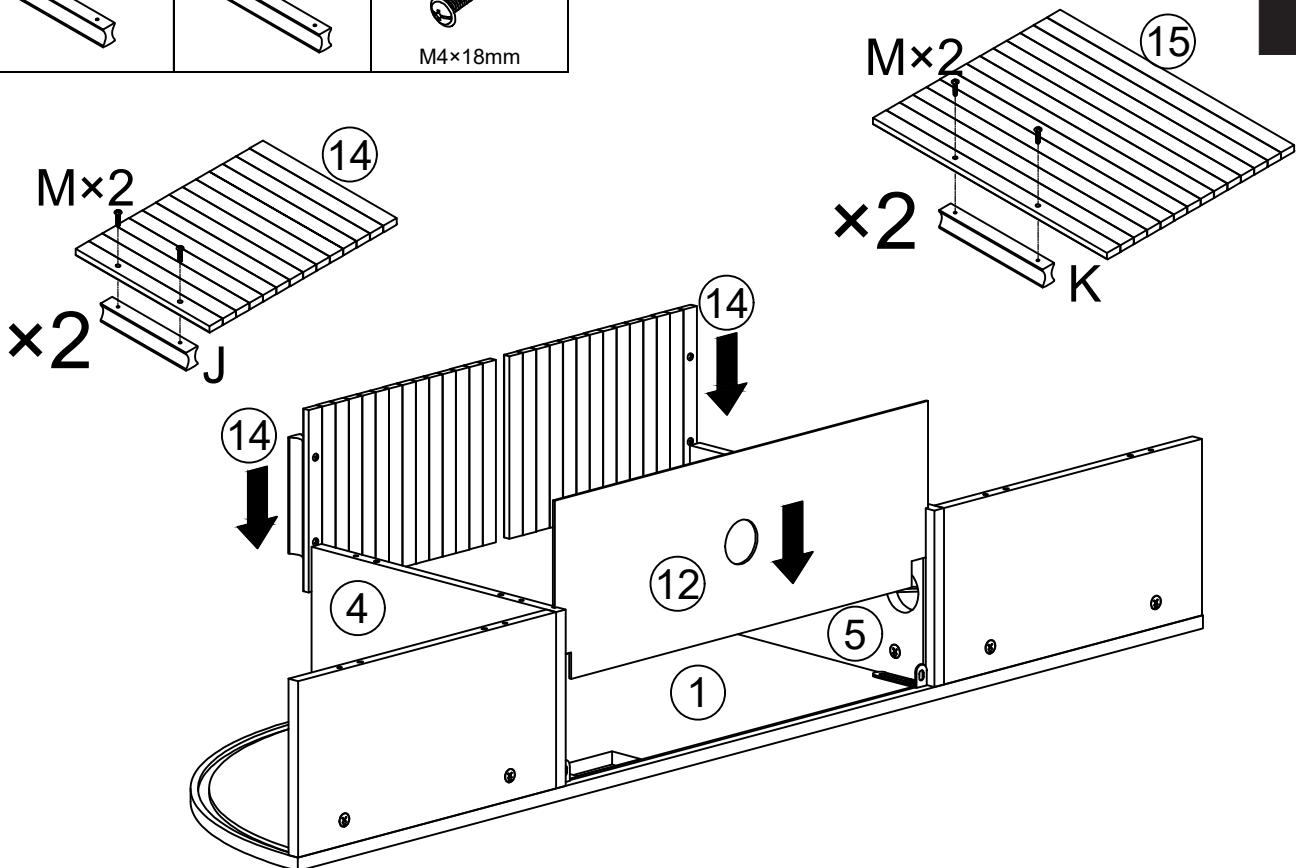
| | |
|---|---|
| B×8PCS | C×8PCS |
|  |  |
| Ø15×12mm | Ø6×30mm |

3.

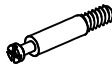





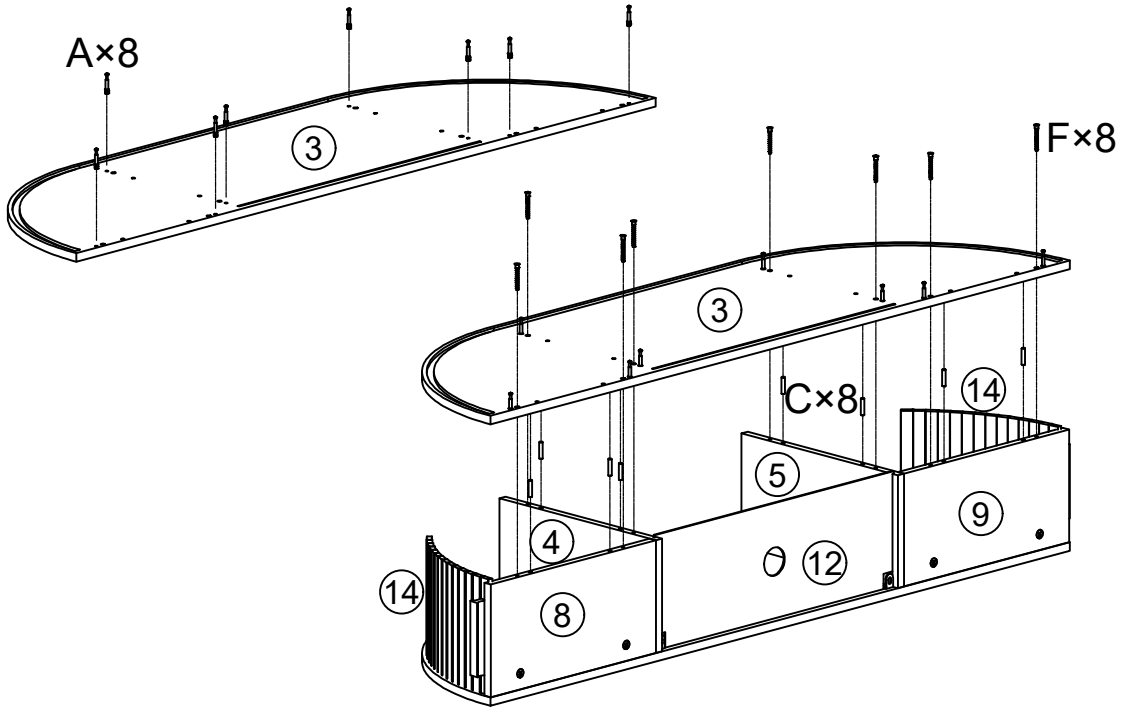
| | | |
|---|---|---|
| J×2PCS | K×2PCS | M×4PCS |
|  |  |  |
| | | M4×18mm |

4.






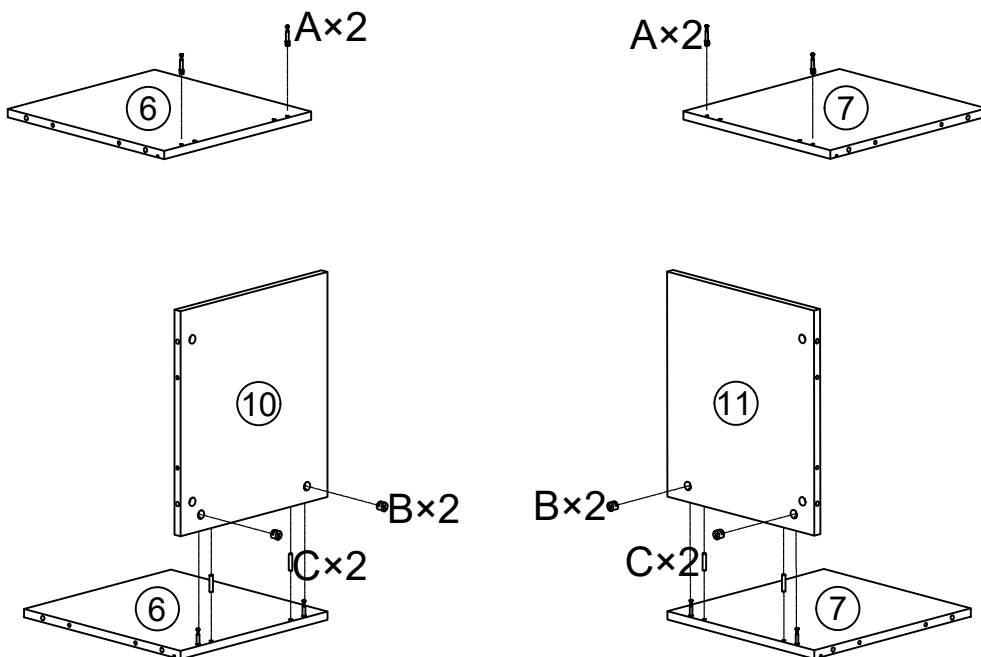
5.



| A×8PCS | C×8PCS | F×8PCS | L×1PC |
|---|--|---|---|
|  |  |  |  |
| M6×35mm | Ø6×30mm | Ø6×50mm | M4mm |



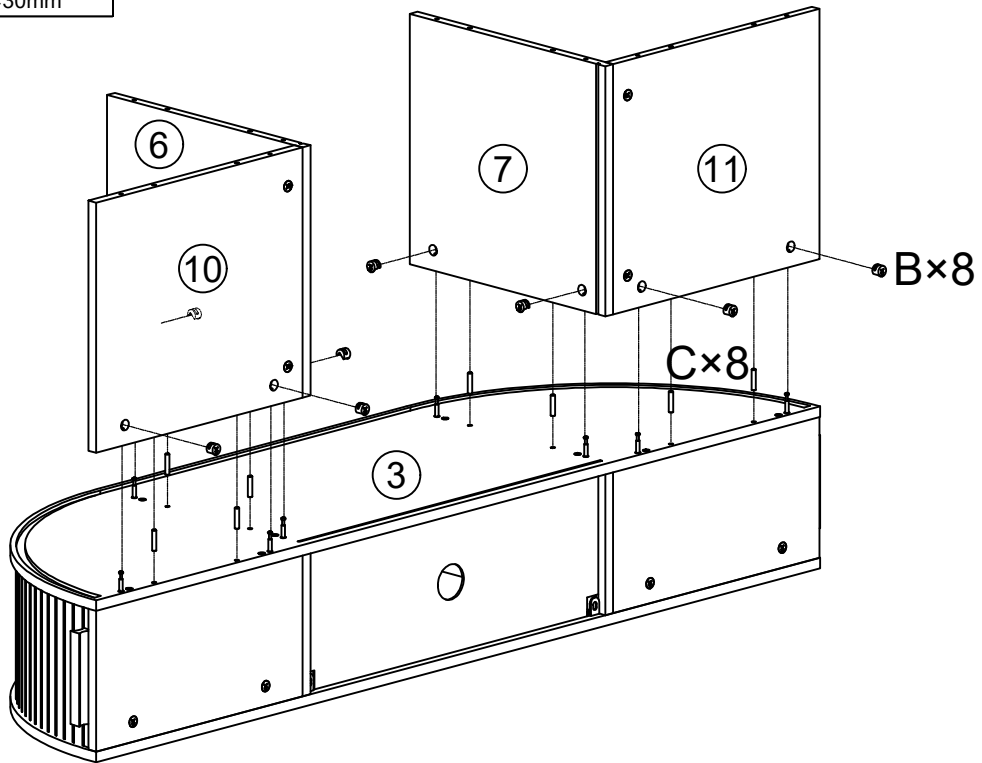
6.

| A×4PCS | B×4PCS | C×4PCS |
|--|---|---|
|  |  |  |
| M6×35mm | Ø15×12mm | Ø8×30mm |

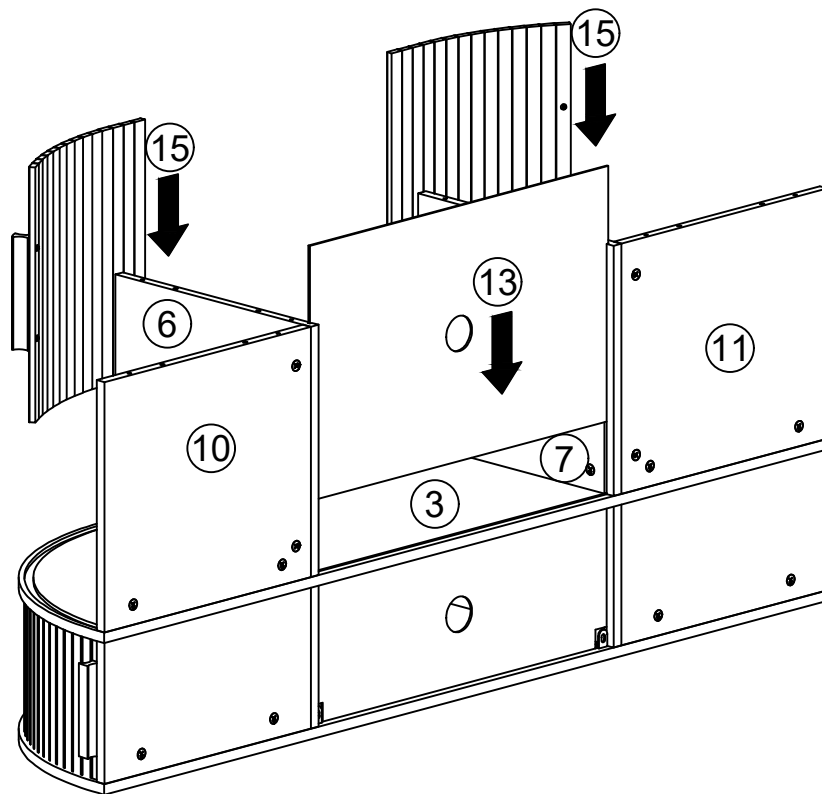


| | |
|---|---|
| B×8PCS | C×8PCS |
|  |  |
| Ø15×12mm | Ø6×30mm |




7.

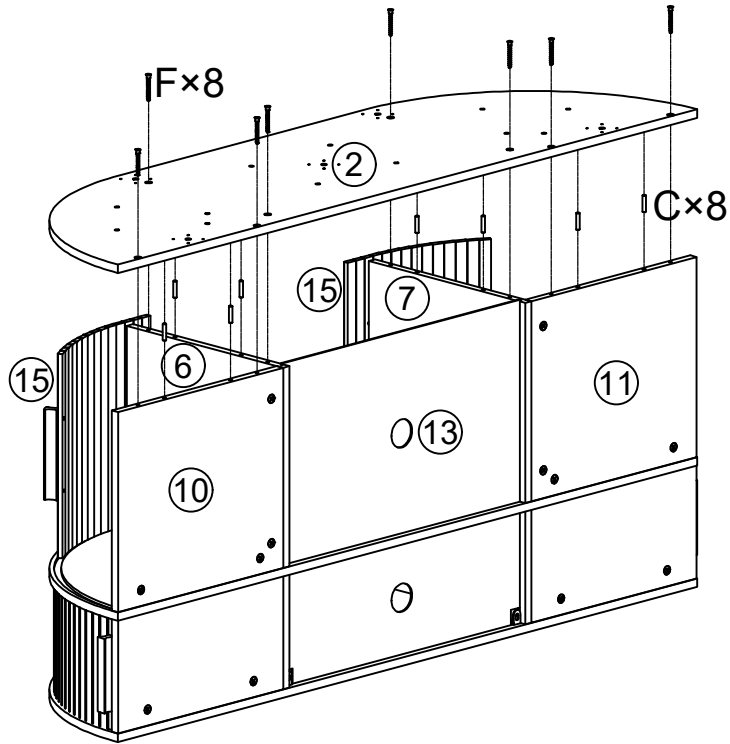


8.





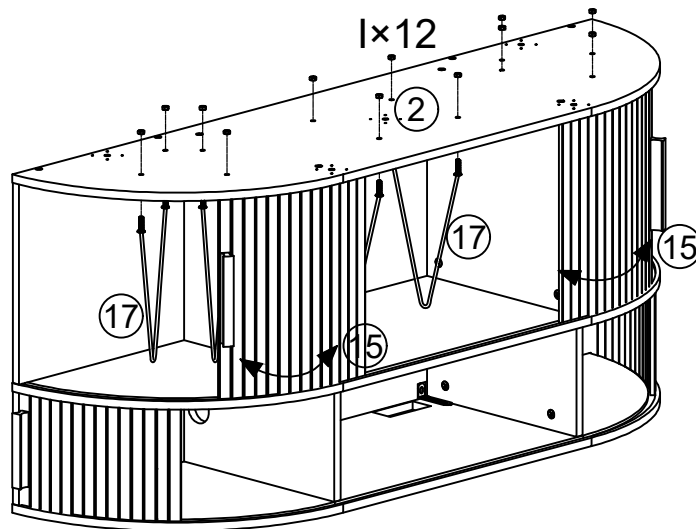
9.



| | | |
|--|---|---|
| C×8PCS | F×8PCS | L×1PC |
|  |  |  |
| Ø6×30mm | Ø6×50mm | M4mm |



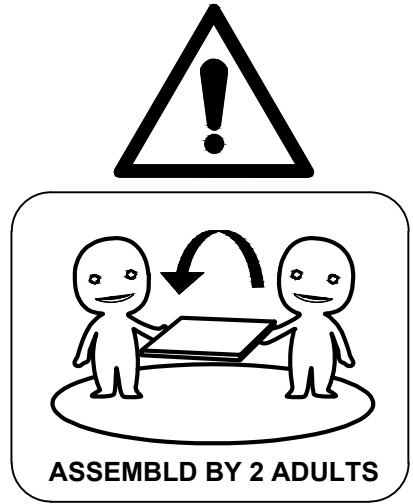
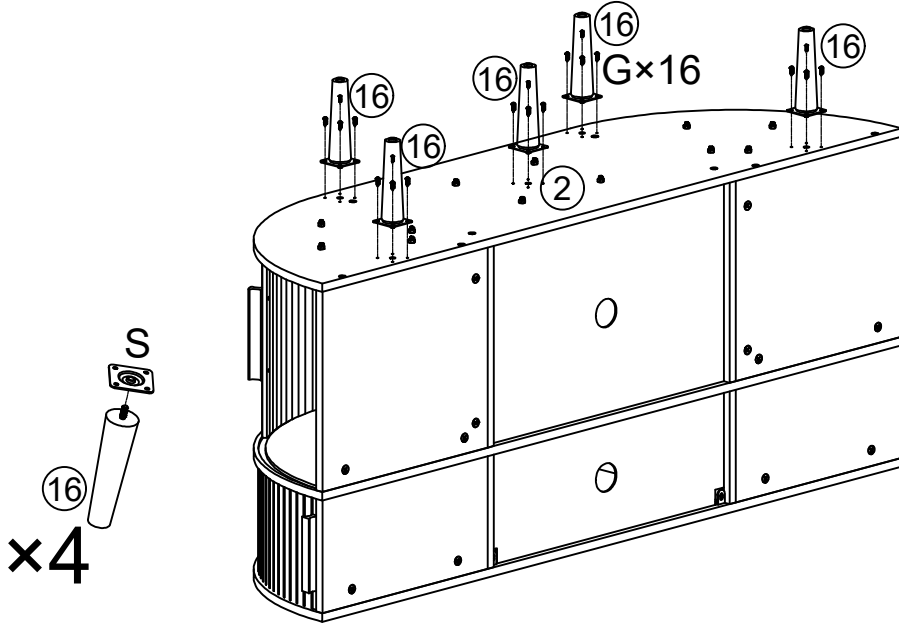
10.


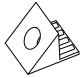

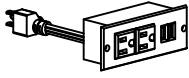
| | |
|---|---|
| I×12PCS | T×1PC |
|  |  |
| M6mm | |



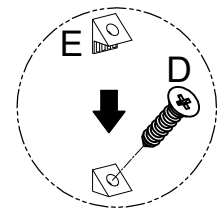
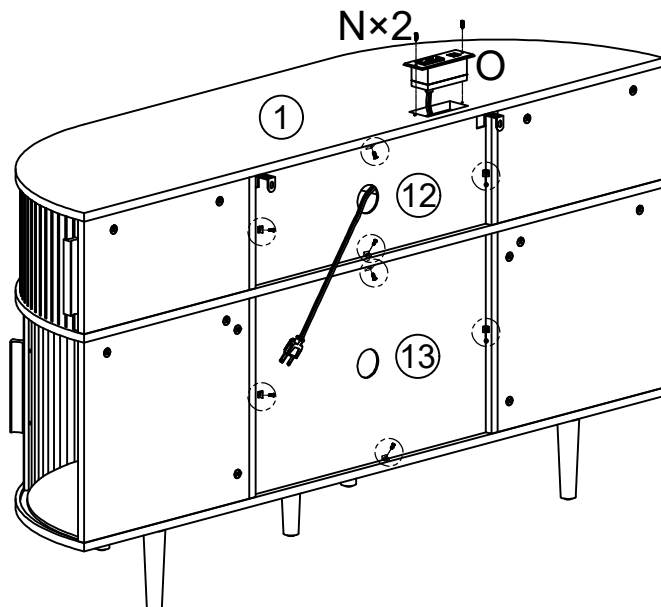
| | |
|---|---|
| G×20PCS | S×5PCS |
|  |  |
| Ø4×14mm | |

11.






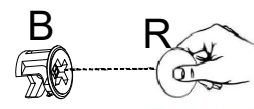
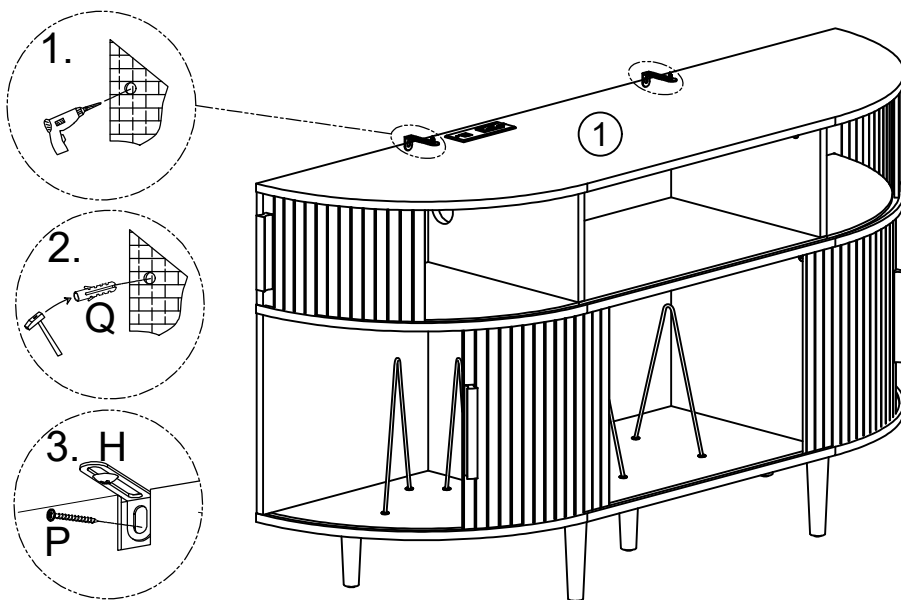
| | | | |
|---|---|---|---|
| D×8PCS | E×8PCS | N×2PCS | O×1PC |
|  |  |  |  |
| Ø3.5×14mm | | Ø3×14mm | |

12.



13.

| P×2PCS | Q×2PCS | R×10PCS |
|--|---|---|
|  |  |  |
| Ø4×35mm | Ø6×30mm | |



14.

