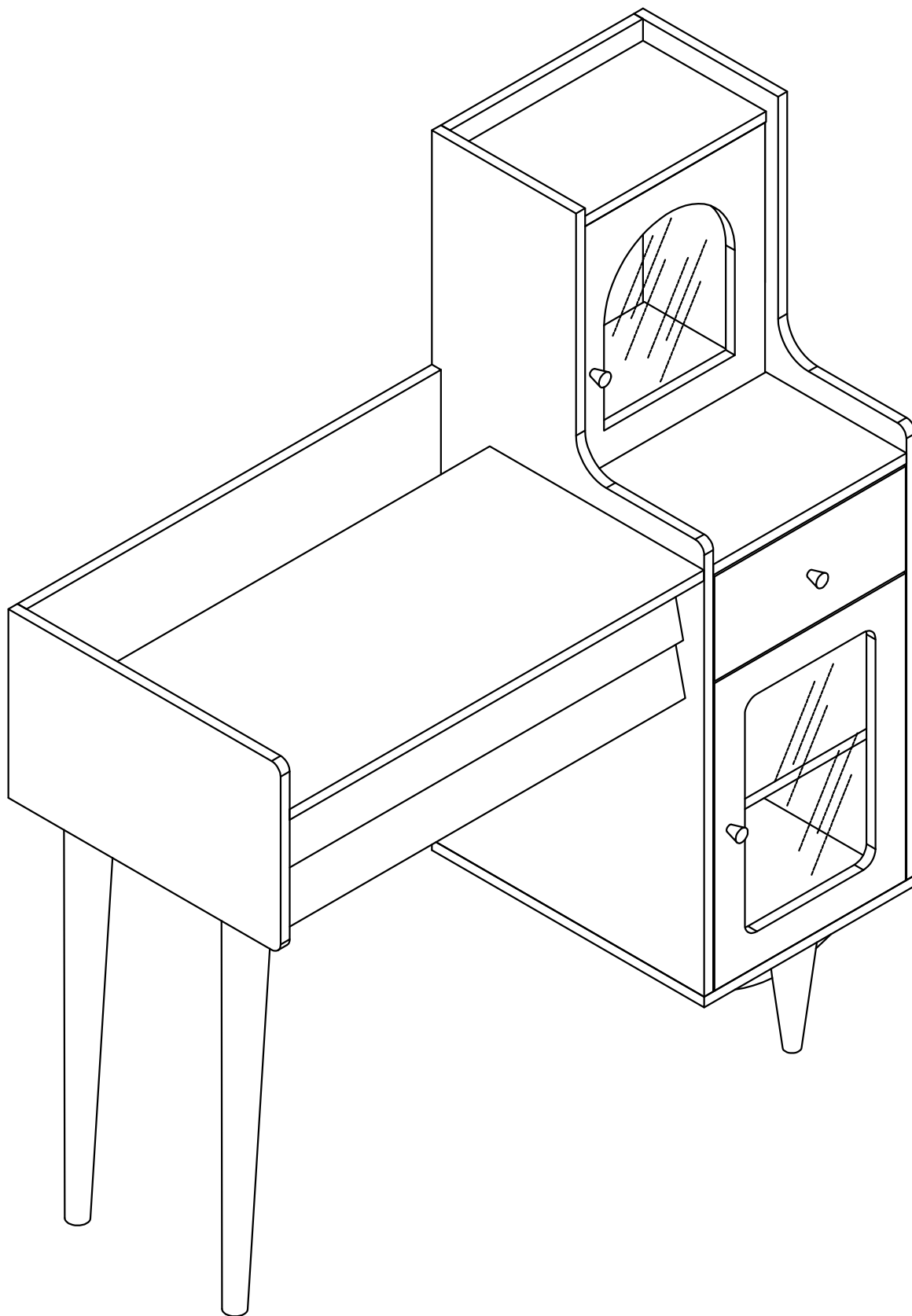
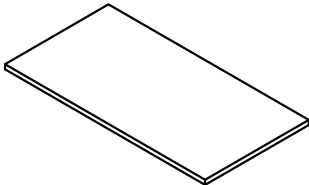
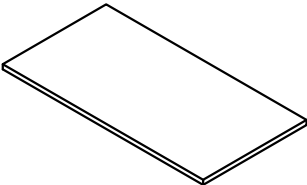
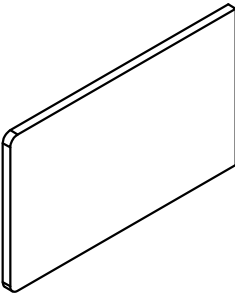
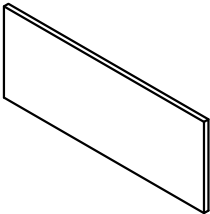
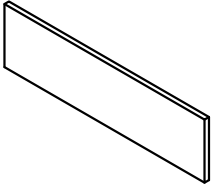
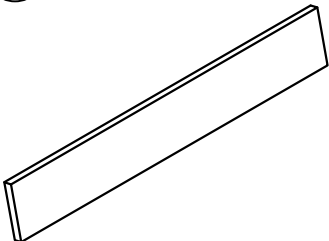
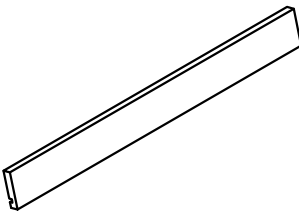
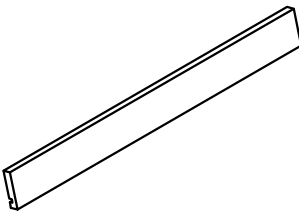
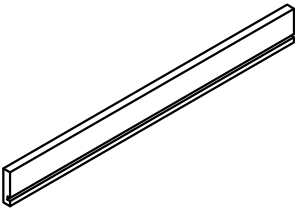
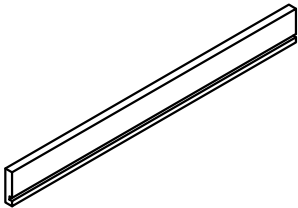
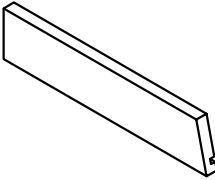
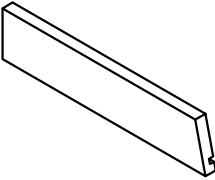
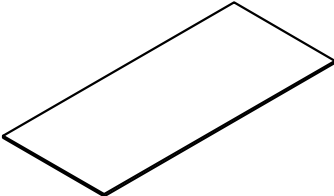
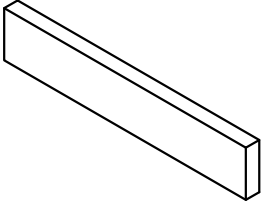
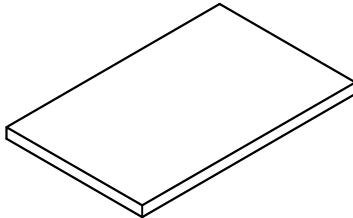
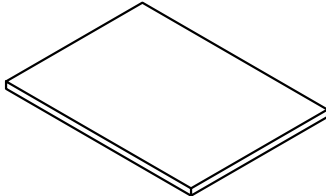
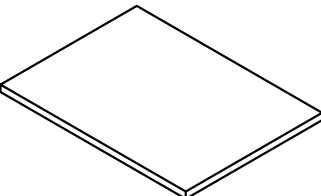
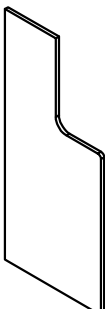
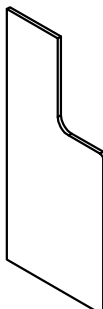
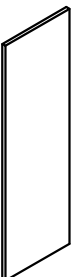


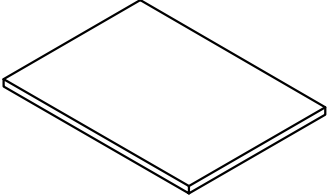
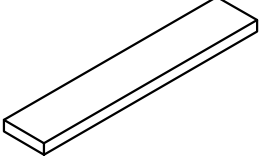
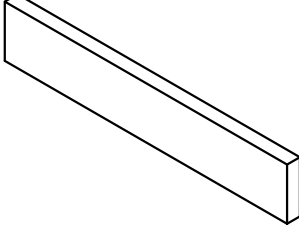
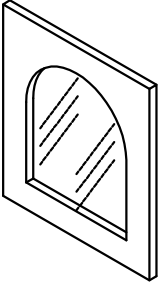
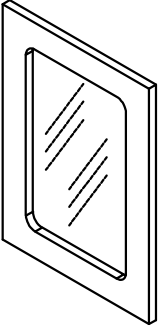
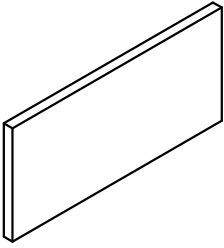
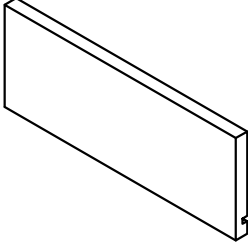
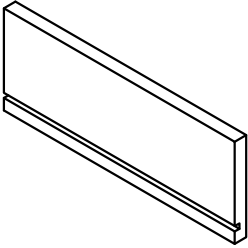
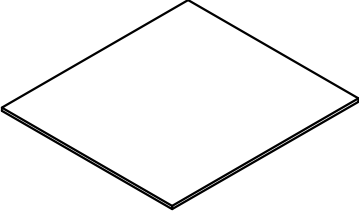
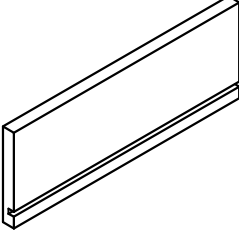
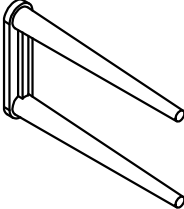
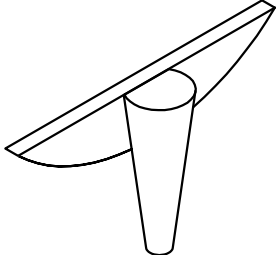
Assembly guide of B2150P Dresser



PARTS LIST

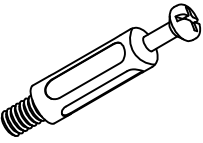



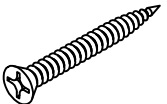
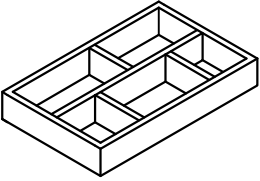
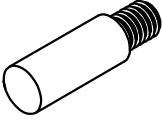
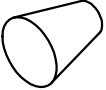

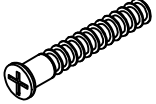
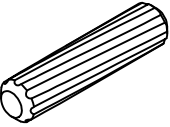
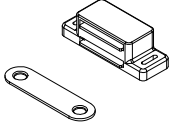

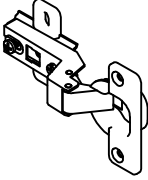
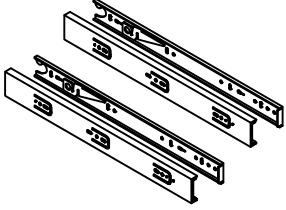
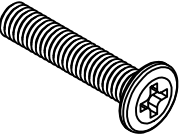
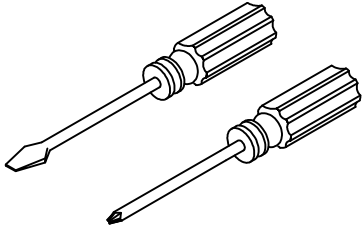
① 	② 	③ 	④ 
left top panel=1	left bottom panel=1	small side panel=1	left big back panel=1
⑤ 	⑥ 	⑦ 	⑧ 
left small back panel=1	long drawer panel=2	long upper drawer front panel=1	long lower drawer front panel=1
⑨ 	⑩ 	⑪ 	⑫ 
long upper drawer back panel=1	long lower drawer back panel=1	long drawer left side panel=2	long drawer right side panel=2
⑬ 	⑭ 	⑮ 	⑯ 
long drawer bottom panel=2	long drawer middle side panel=2	right cabinet top panel=1	right cabinet panel=1
⑰ 	⑱ 	⑲ 	⑳ 
right cabinet bottom panel=1	right cabinet left side panel=1	right cabinet right side panel=1	right cabinet back panel=1

PARTS LIST

<p>21</p> 	<p>22</p> 	<p>23</p> 	<p>24</p> 
<p>right cabinet laminate=1</p>	<p>right cabinet zipper=1</p>	<p>right cabinet bottom zipper=1</p>	<p>right cabinet upper door=1</p>
<p>25</p> 	<p>26</p> 	<p>27</p> 	<p>28</p> 
<p>right cabinet lower door=1</p>	<p>short drawer panel=1</p>	<p>left short drawer side panel=1</p>	<p>right short drawer side panel=1</p>
<p>29</p> 	<p>30</p> 	<p>31</p> 	<p>32</p> 
<p>short drawer bottom panel=1</p>	<p>short drawer tail panel=1</p>	<p>big foot rack=1</p>	<p>small foot rack=2</p>

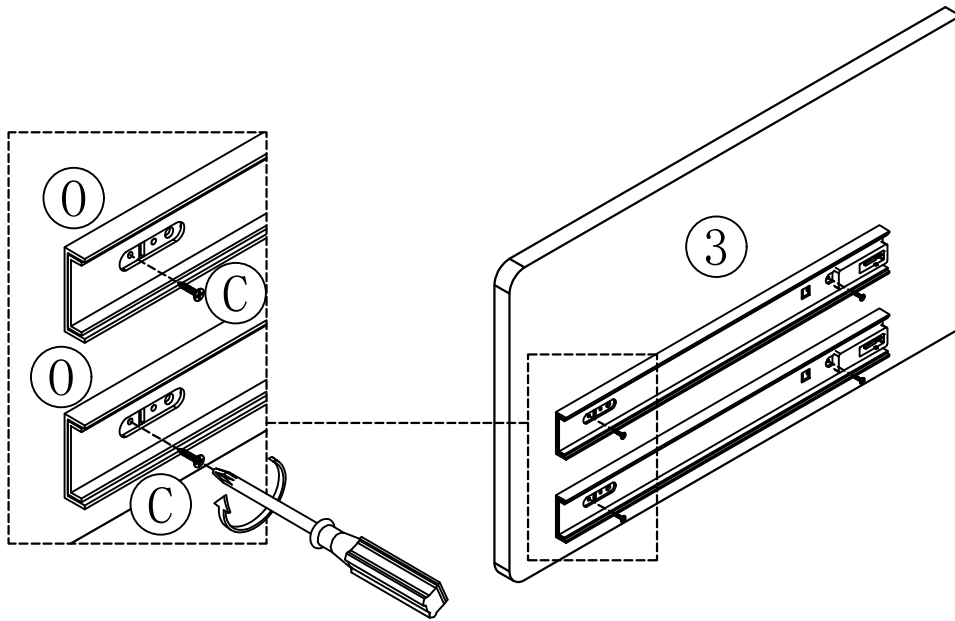
Tips: Do not throw away packing materials until assembly is complete for small parts may come loose inside the carton during shipment. If parts are missing, please contact us. Assemble this item on a soft surface, such as carpet to protect the finish.

HARDWARE LIST

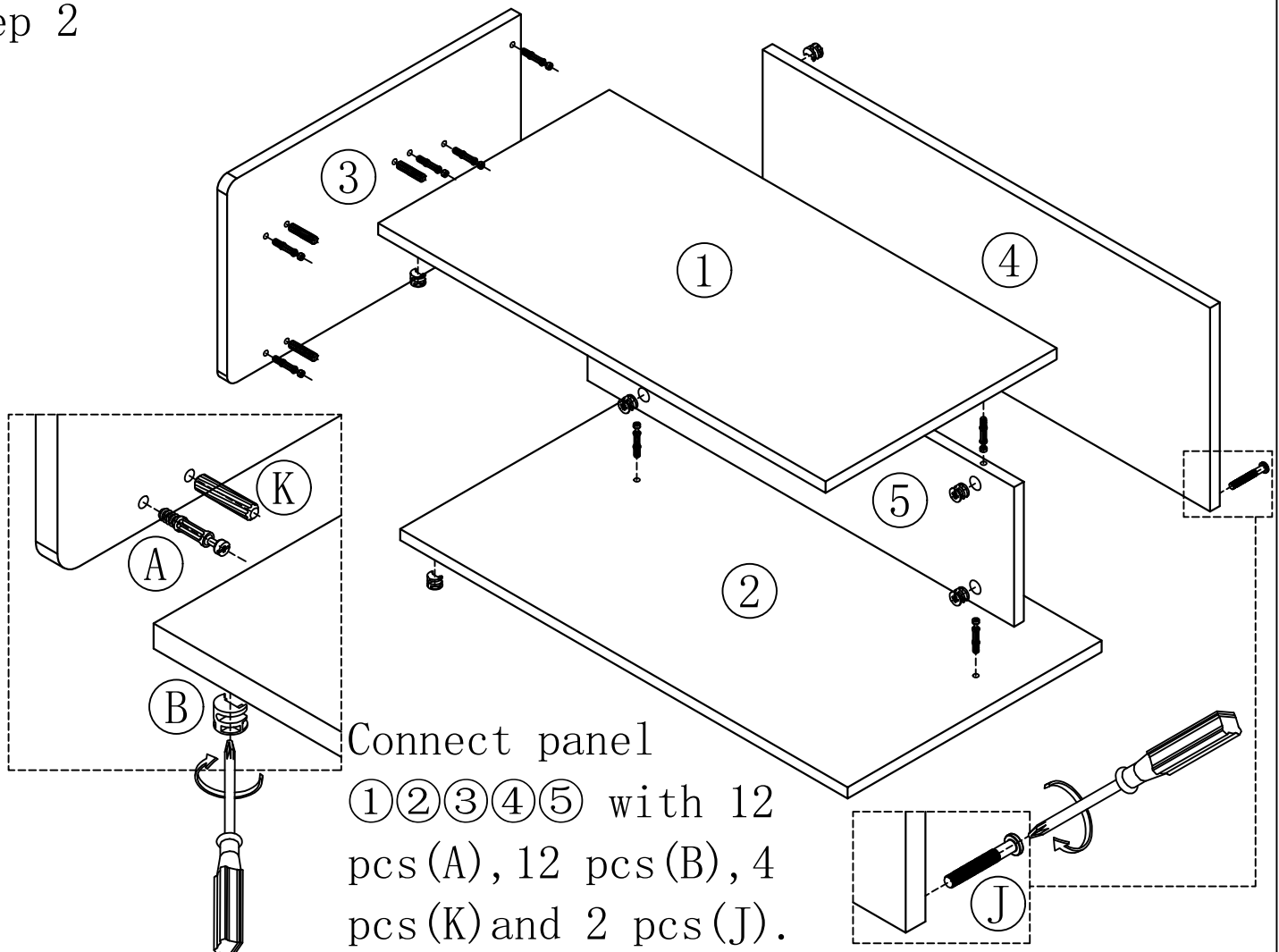
(A)		(C)	(D)	(E)
				
3 in 1 rods=56	3 in 1 camlocks=56	3.5*14 self-tapping screws=50	3.5*25 self-tapping screws=8	4*35 self-tapping screws=20
(F)	(G)	(H)	(I)	(J)
				
decoration box=1	laminate buckle=4	single handle=3	4*18 handle screws=3	screws=2
(K)	(L)	(M)	(N)	(O)
				
8*30 wood dowels=16	magnetic=1	6*25 big flat screws=14	large curved door hinge=4	guide rails=3 sets
(P)				
				
6*35 big flat screws=4				
				
<p>phillips head screw driver required for assemble---not include</p>				

Step 1

Install two pcs (O) and
four pcs (C) on panel ③.

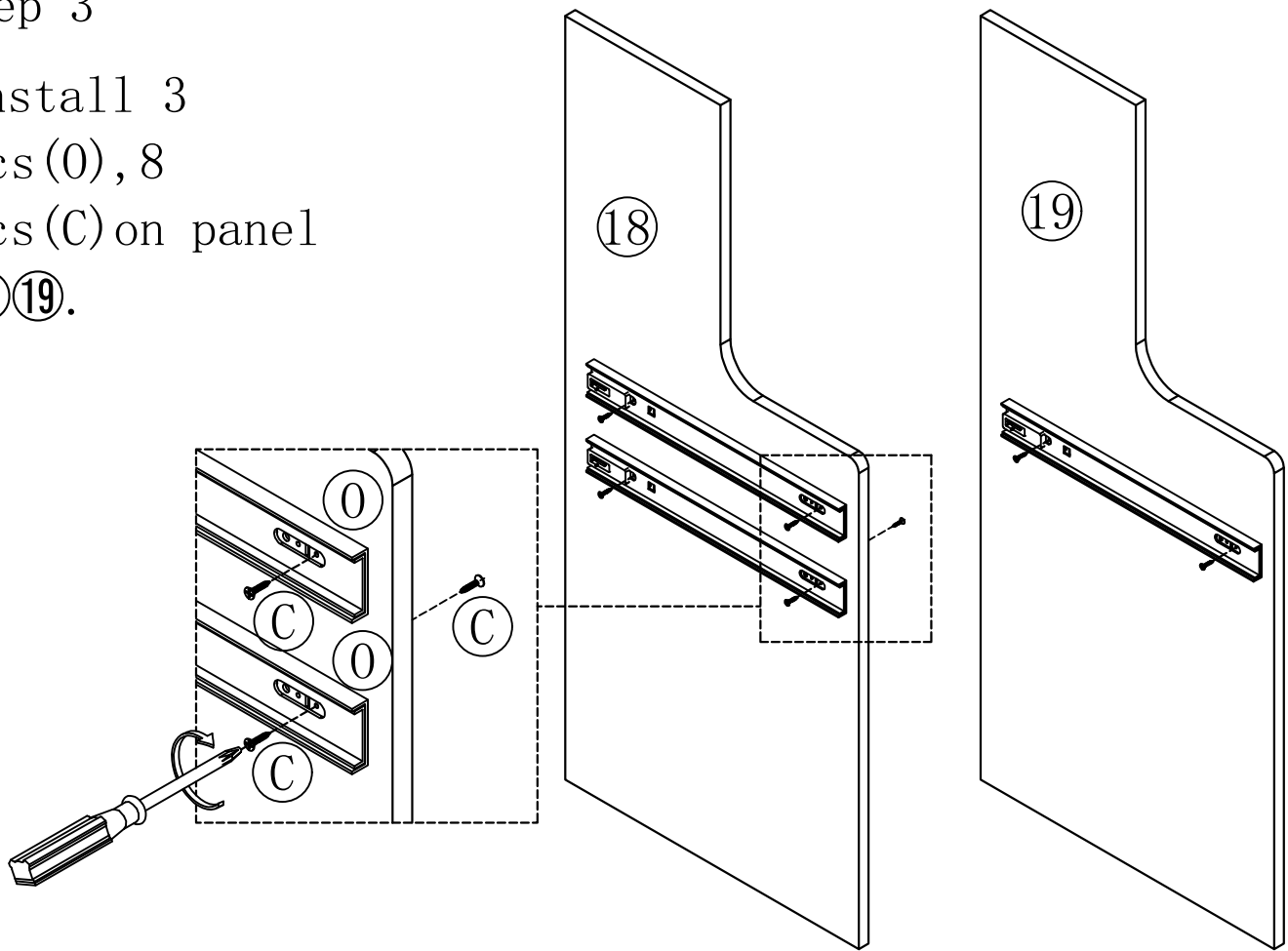


Step 2



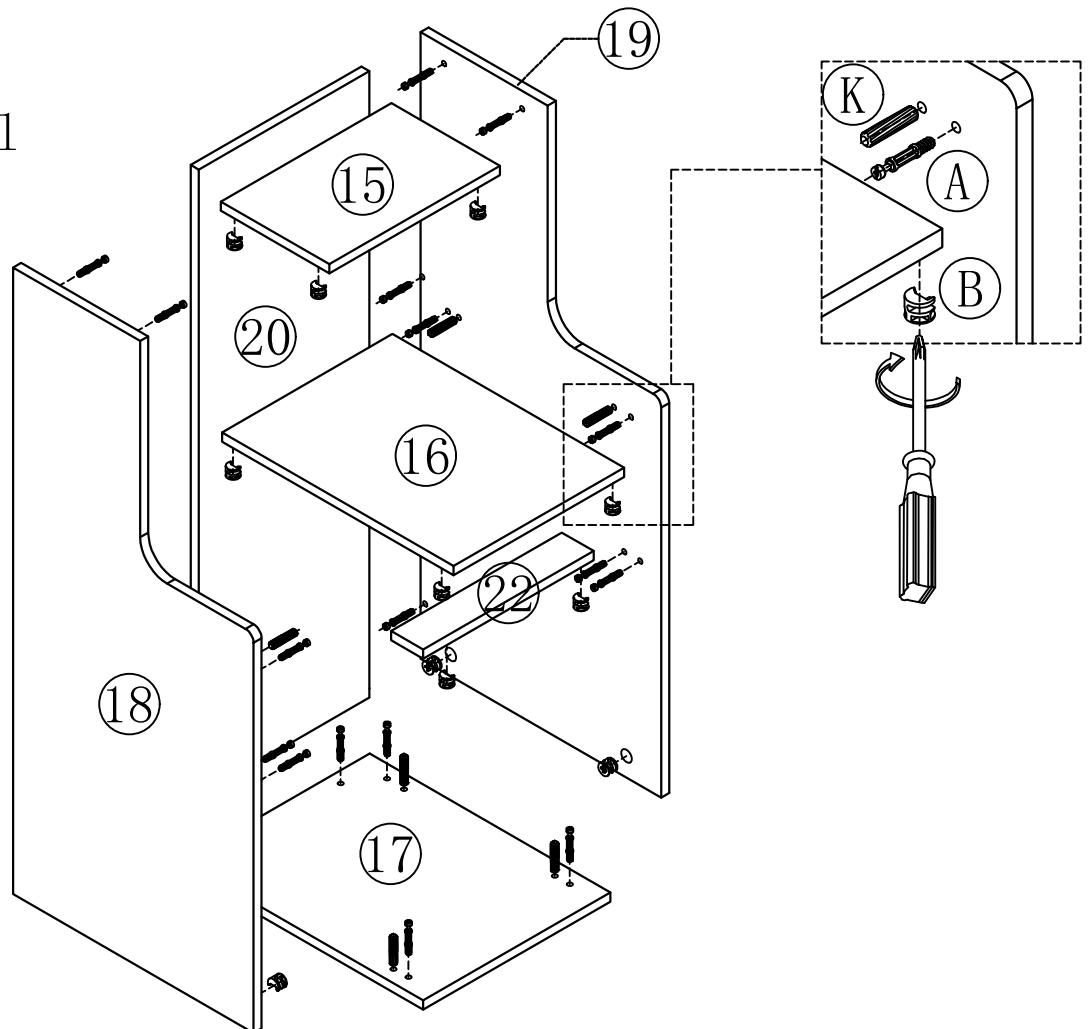
Step 3

Install 3
pcs (O), 8
pcs (C) on panel
⑱⑲.



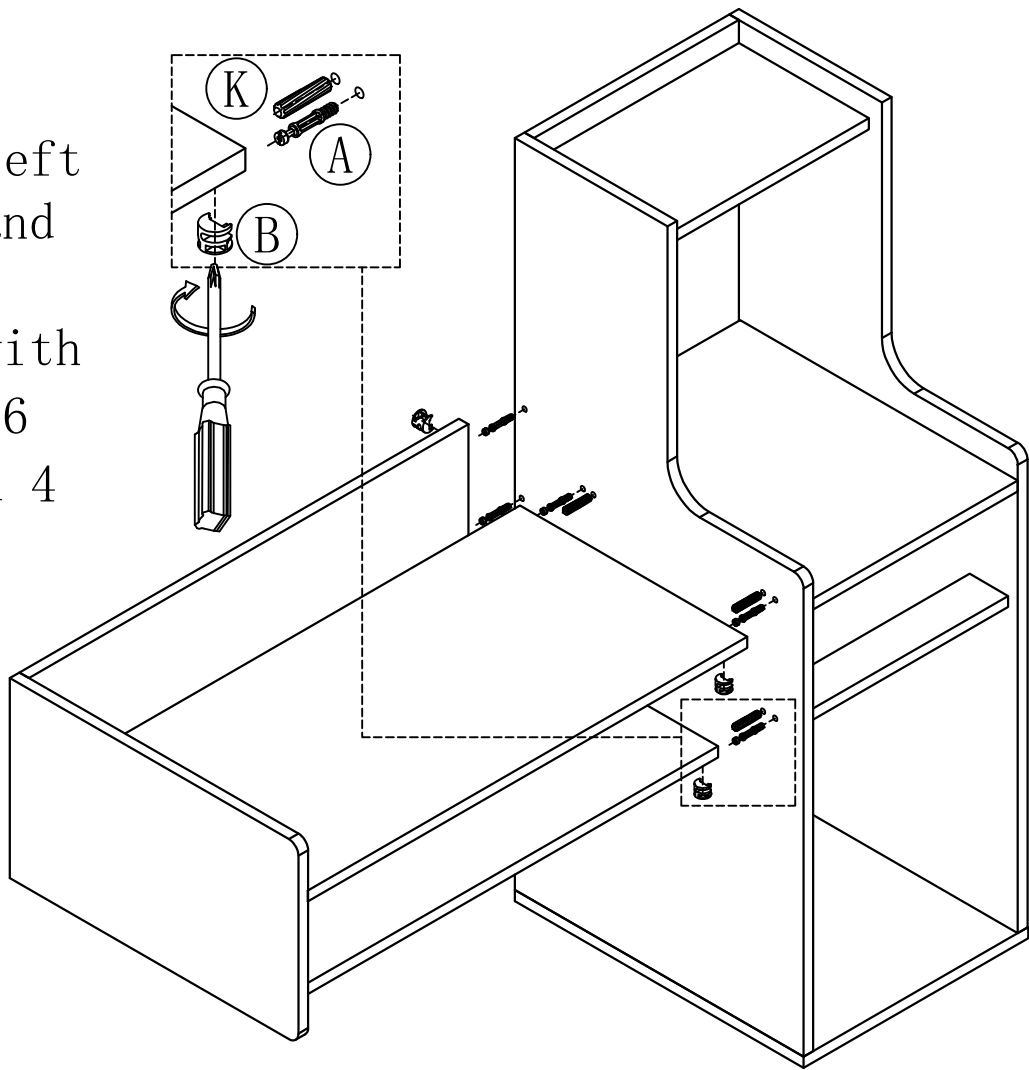
Step 4

Connect panel
⑮⑯⑰⑱⑲⑳
(22) with 26
pcs (A), 26
pcs (B) and 8
pcs (K).



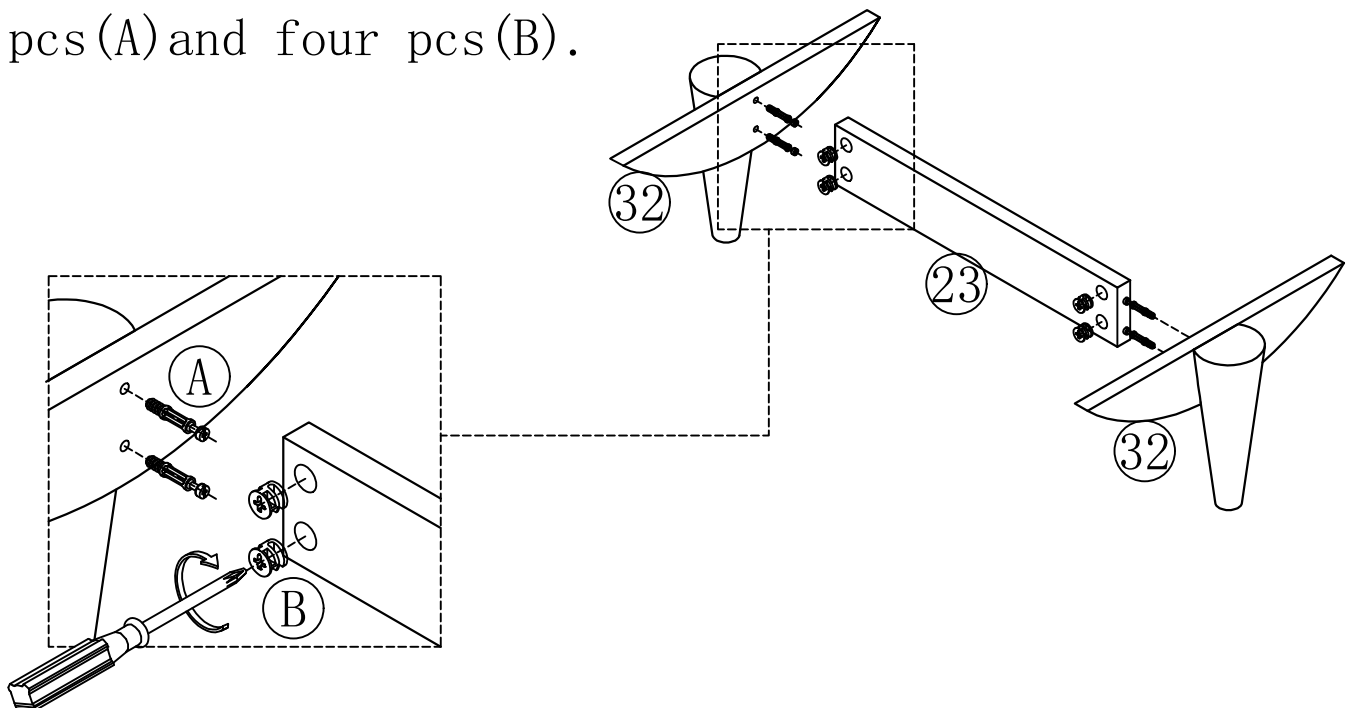
Step 5

Connect left cabinet and right cabinet with 6 pcs (A), 6 pcs (B) and 4 pcs (K).

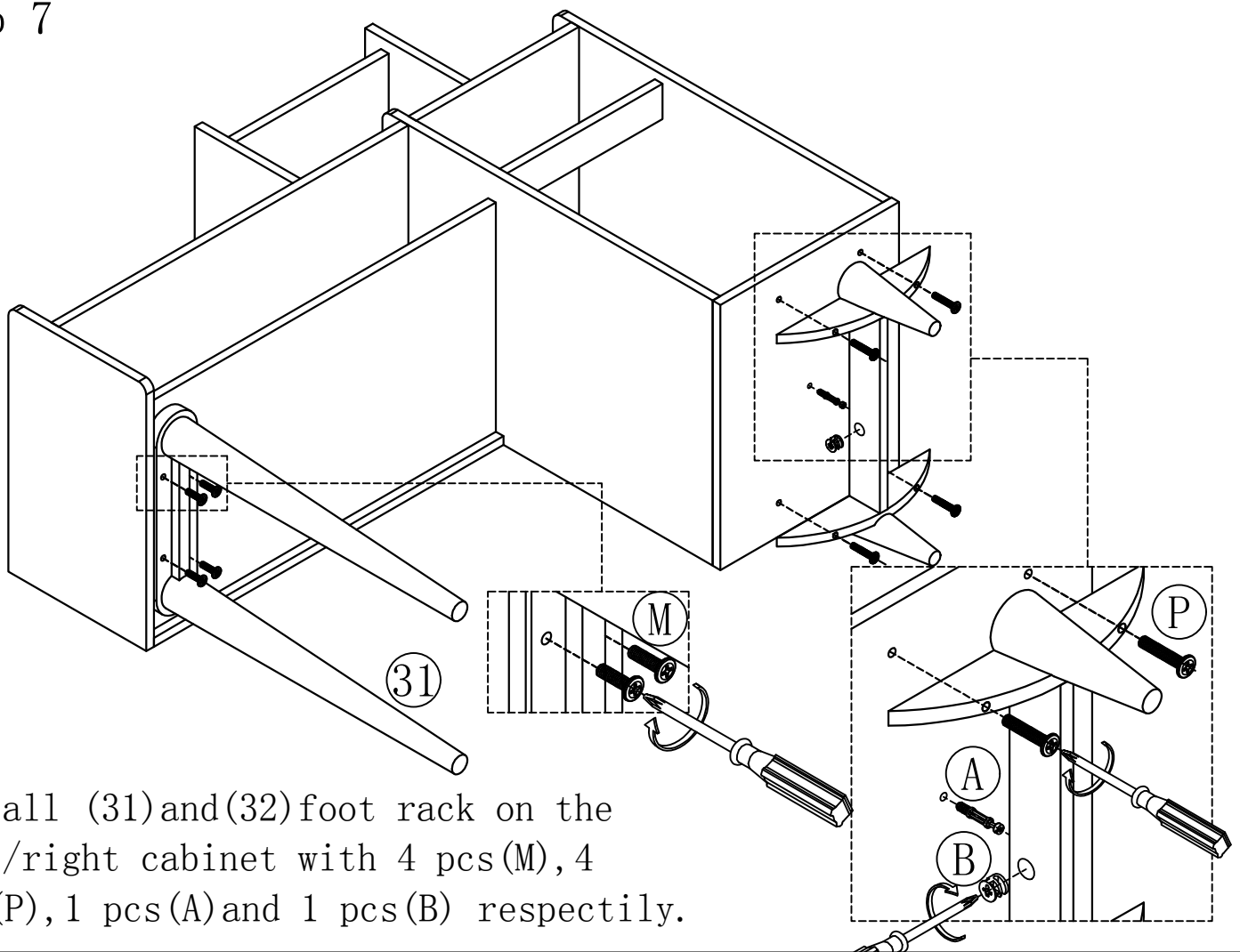


Step 6

Connect panel (23) and (32) with four pcs (A) and four pcs (B).

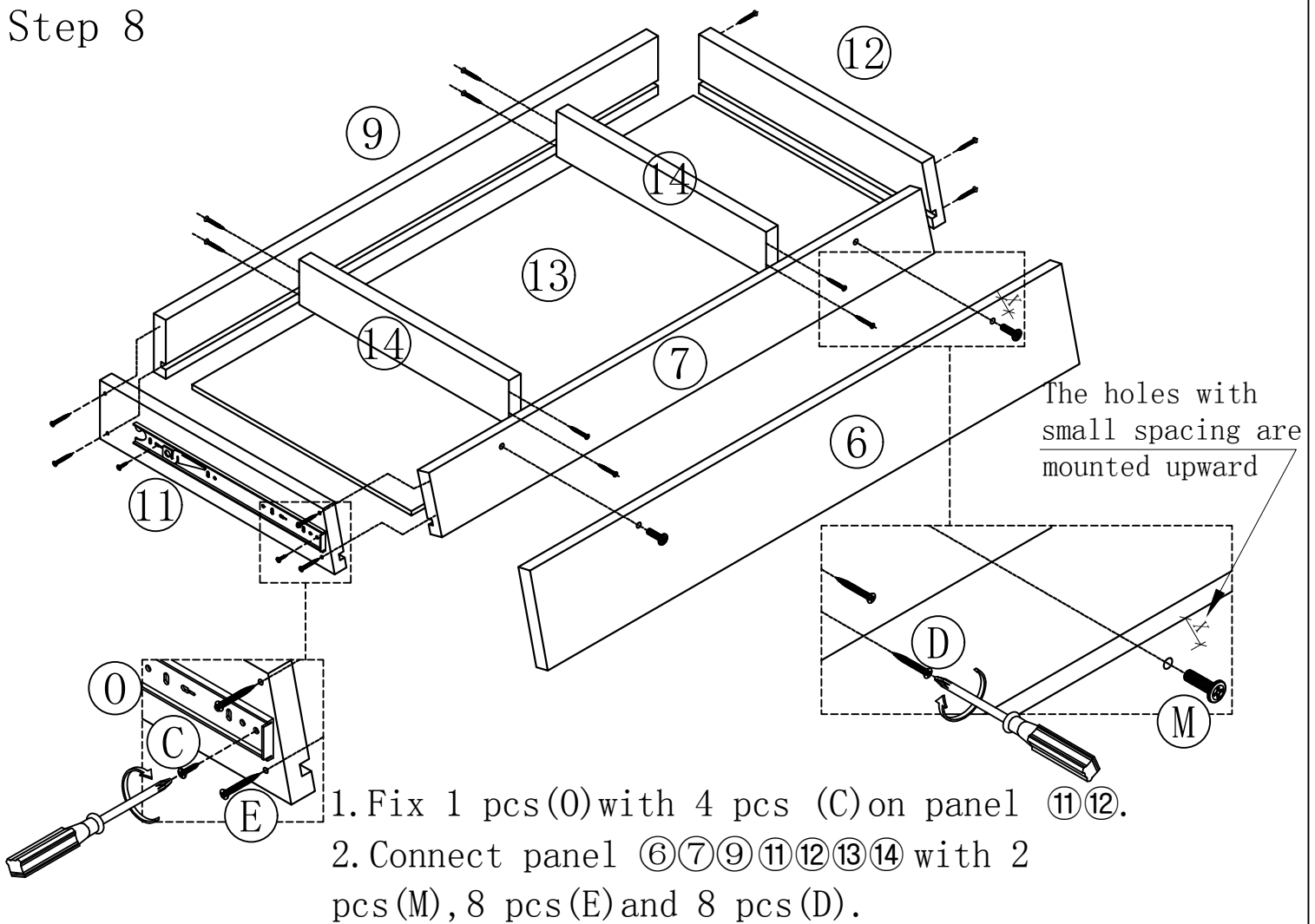


Step 7

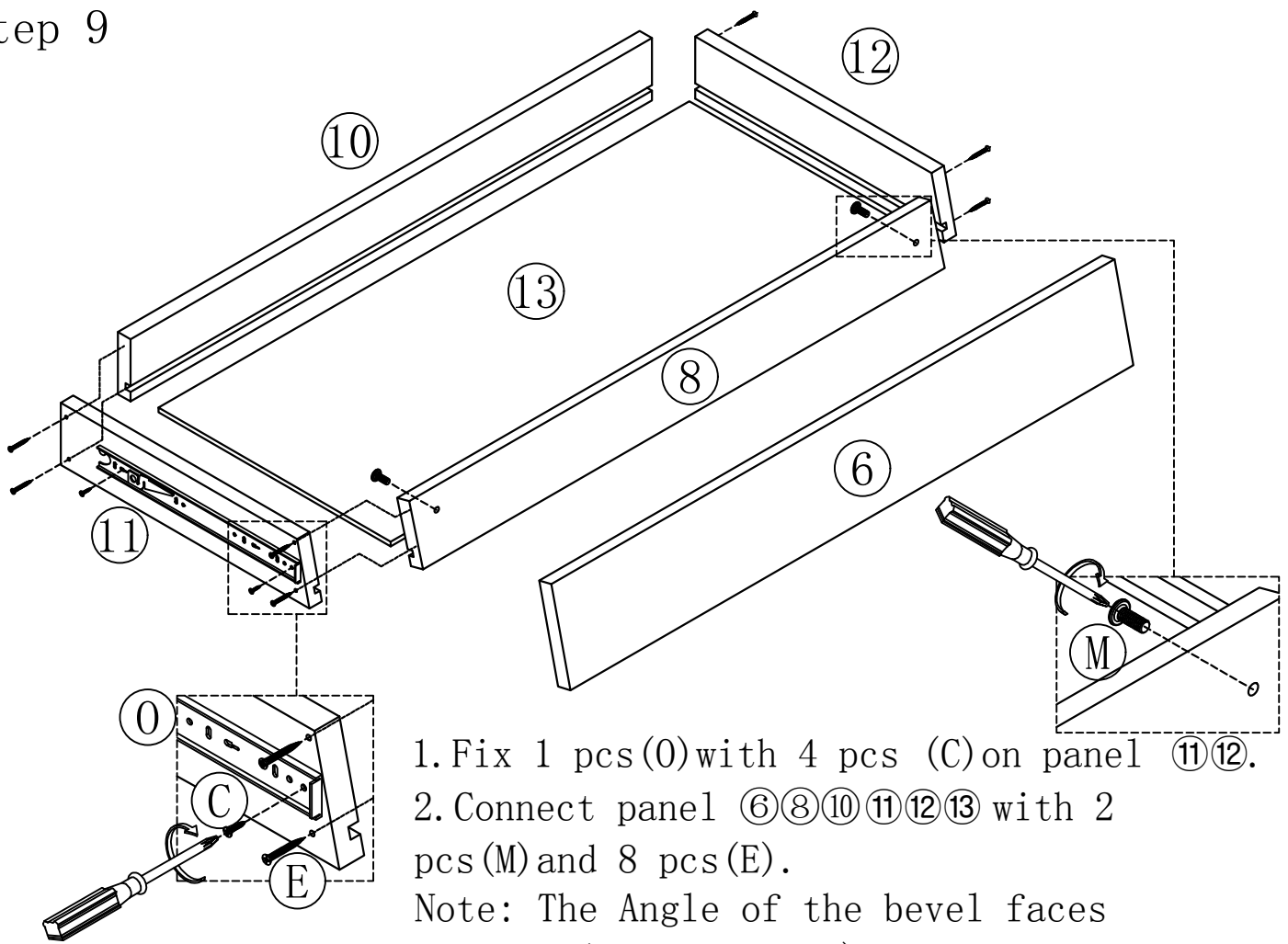


Install (31) and (32) foot rack on the left/right cabinet with 4 pcs (M), 4 pcs (P), 1 pcs (A) and 1 pcs (B) respectively.

Step 8

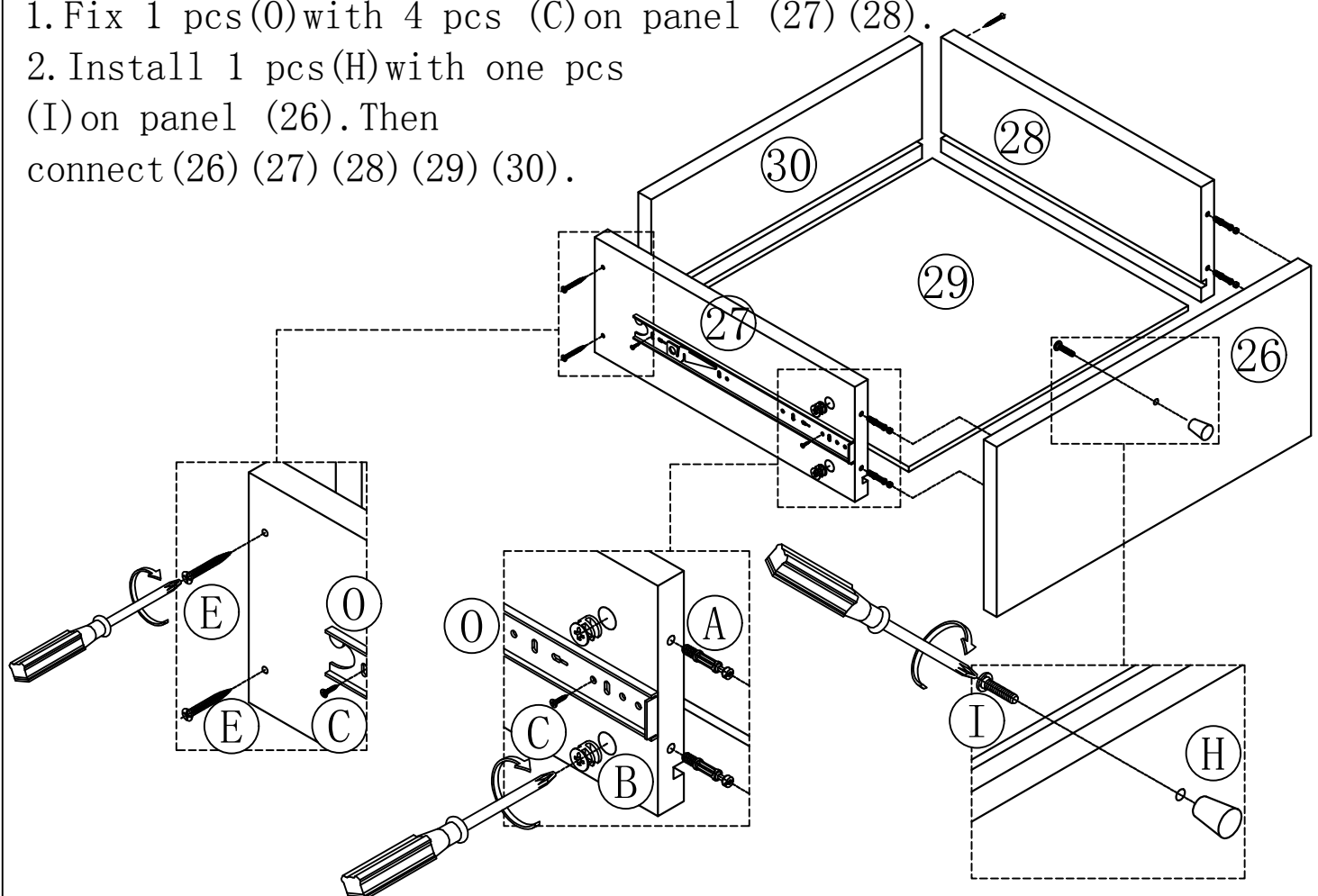


Step 9

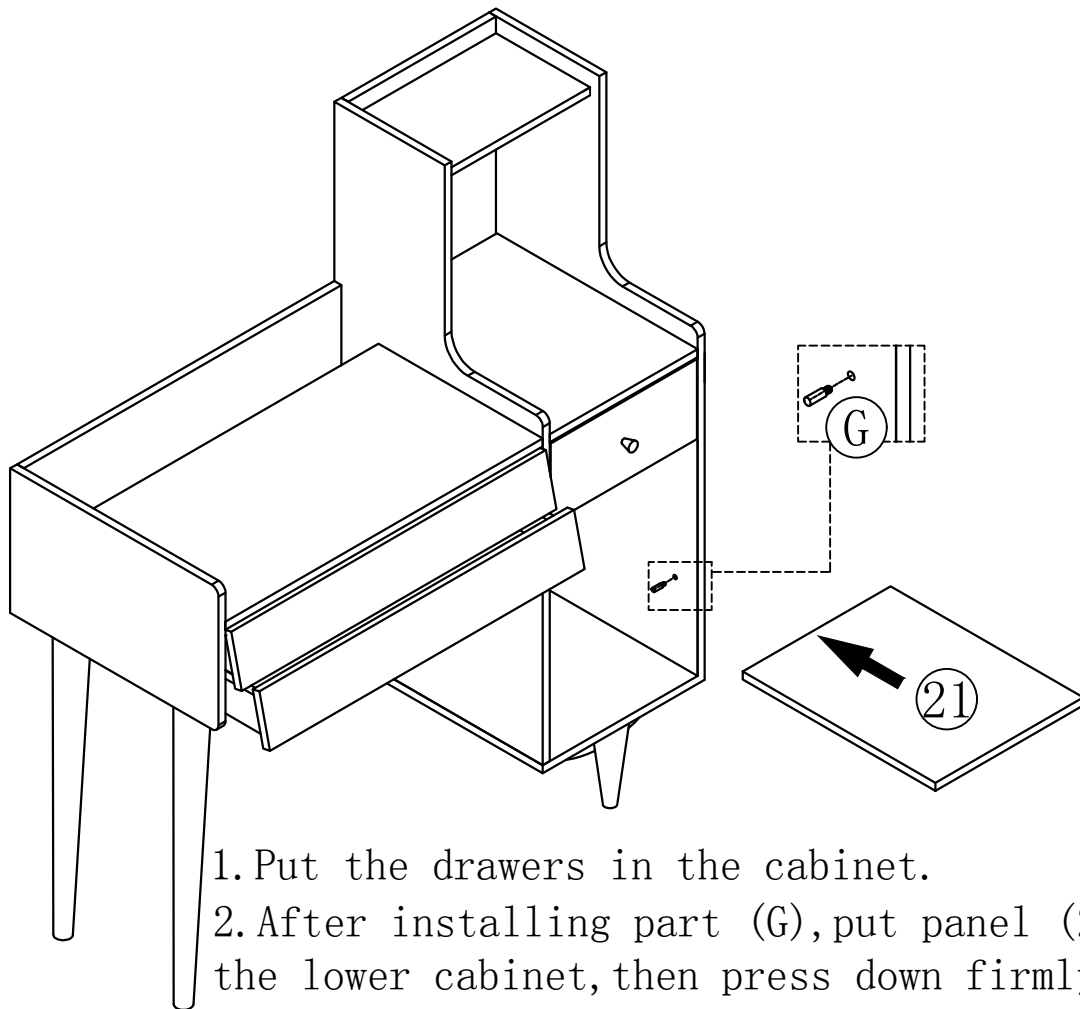


Step 10

1. Fix 1 pcs (0) with 4 pcs (C) on panel (27) (28).
2. Install 1 pcs (H) with one pcs (I) on panel (26). Then connect (26) (27) (28) (29) (30).

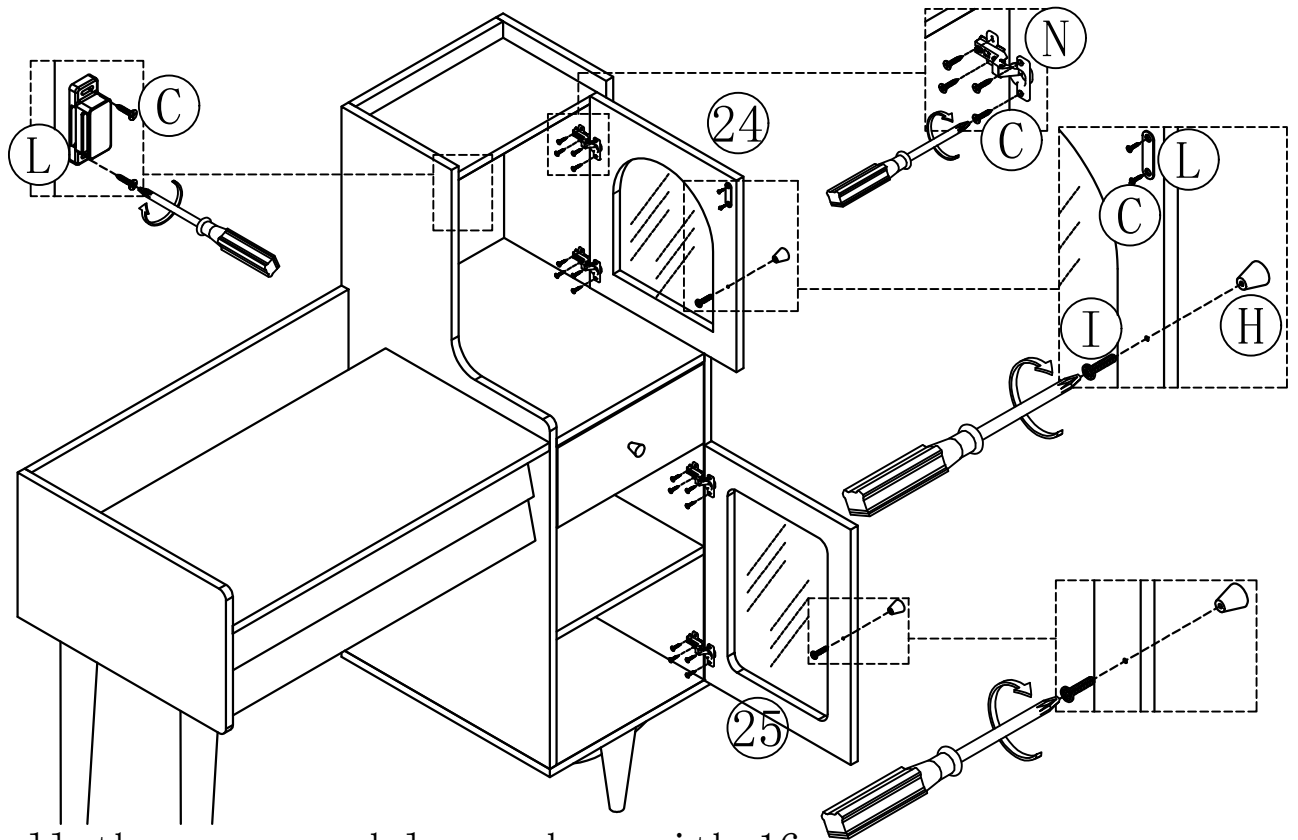


Step 11



1. Put the drawers in the cabinet.
2. After installing part (G), put panel (21) on the lower cabinet, then press down firmly.

Step 12



1. Install the upper and lower door with 16 pcs (C) and 4 pcs (N).
2. Install 1 pcs (L) with 4 pcs (C) on the cabinet door.
3. Install 2 pcs (H) with 2 pcs (I) on the cabinet floor.

Finished

