



MOKLEBA

INSTALLATION MANUAL FREESTANDING BATHTUB

OFFICIAL WEBSITE: WWW.MOKLEBABATH.COM

E-MAIL: service@moklebabath.com

TEL: 631-690-6133 (GMT-5/9:30AM-6:30PM/Mon-Fri)

MANUFACTURED BY ART BATH COMPANY INC
THE BATHTUB PICTURES IN THIS MANUAL ARE UNIVERSAL BATHTUBS.
THE INSTALLATION METHOD OF ALL BATHTUB MODELS IS THE SAME

- FOR RESIDENTIAL USE ONLY IN US & CA
- WARRANTY VOID OUTSIDE US & CA



Installation Requirements

Tools Required	02
Materials Required	02
Include Parts	02
Installation Notes	02
Measurement Requirements	02
Floor Requirements	02

Before Installation

Important	03
Note	03
Warning	03

Installation Procedure

Operation	4-7
Care & Cleaning	07

After-sales service

Warranty	08
Warranty Exclusions	08
30 Days Return	08
Resolution Process For Damages Or Missing Items	08
Freight Shipments-bathtubs	09
Disclaimer Of Implied Warranties	09

INSTALLATION REQUIREMENTS

Tools Required



Materials Required

- Plumbers Putty
- Gypsum Cement(optional)
- Protective Covering for the Bathtub
- Wall Coverings(as necessary)
- Construction Adhesive(optional)
- Silicone Sealant/Caulking
- Nails

INCLUDE PARTS

DESCRIPTION



Flexible Tube
(Pre - installed)



Adapter
(Pre - installed)



Bathtub

INSTALLATION NOTES

- Read the entire installation manual before beginning the installation. If installing a rim-mounted faucet (only on certain models), make sure there is no interference with the overflow drain before drilling any holes
- Position a protective covering or similar material in the bottom of the unit to protect the bathtub's surface from being scratched

MEASUREMENT REQUIREMENTS

- Measure the area where you intend to install the bathtub to ensure you have adequate space available for the installation

FLOOR REQUIREMENTS

Sub-floor Preparation

- Check the flooring where the bathtub is going to be installed and make repairs as needed. Make sure the sub-floor is level. It is strongly recommended to prepare a waterproof layer for the sub-floor beforehand

BEFORE INSTALLATION

- ① Before installation, please check whether all accessories are complete.
- ② Place the bathtub on a protective pad to avoid scratching or damaging the surface.
- ③ This product is quite heavy and requires two people to carry it. Please use the correct handling method.
- ④ It is recommended to install the drainage components for the bathtub before installation. If you have any questions about installation or drainage connection, please consult a professional technician.
- ⑤ Please follow the installation steps step by step.

IMPORTANT :

Installation must comply with the regulations of the local government and relevant departments. Installers must ensure that the drain outlets are sealed with silicone or grout to prevent water leakage.

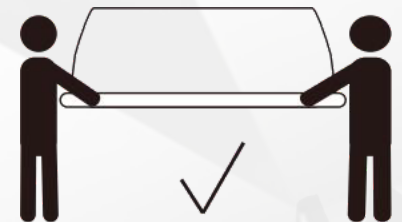
NOTE :

The bathtub can be installed after the wall and floor tiles are completed. Please arrange the drainage position in advance according to the size of the selected bathtub.



WARNING

- Make sure the ground where the bathtub is installed is level.
- The product is already equipped with drainage and overflow components, but accessories such as trap or connecting parts need to be purchased separately.
- This bathtub can only be used in conjunction with the included drain and overflow components.
- This product does not provide handrail accessories.
- When moving the bathtub, it must be carried upside down. Do not support or lift it by the edge of the bathtub.



**Before installation, carefully check if the bathtub is damaged.
It is recommended that the installation be carried out by professionals.**

INSTALLATION PROCEDURE

NO.1

Set your bathtub on two 4x4 pieces of lumber so you can have access from the bottom of the bathtub. Put a tray beneath the bathtub.

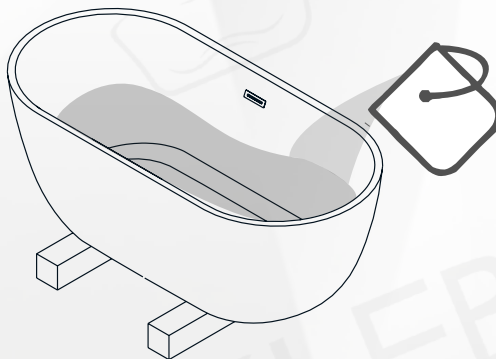
Very Important! Before proceeding with installation, please check that push pop-up, drain, and integrated overflow are properly sealed and tightened.

Push the pop-up into a close position and fill the bathtub with cold water above the overflow level to test for overflow leakage and drain leakage.

Check for any leaks around the drain and pipe. (NOTE: Due to surface tension, it is normal for a small amount of water to pool around the drain)

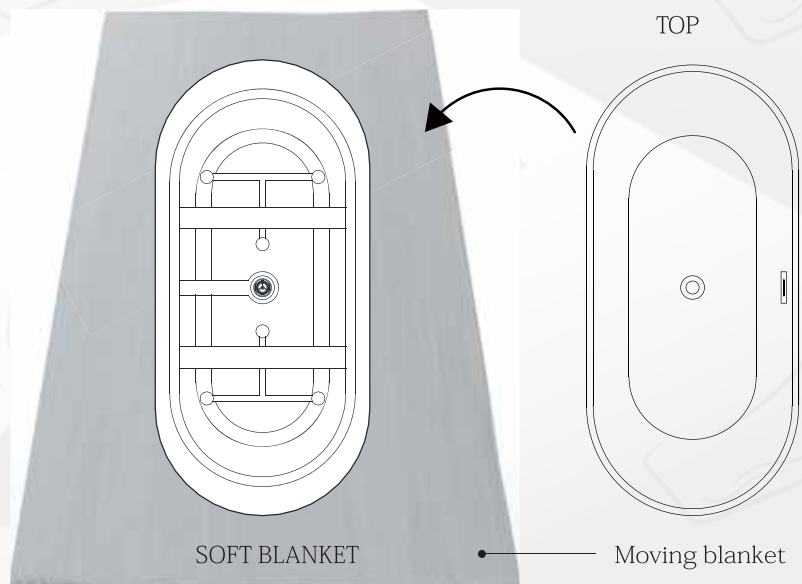
If a leakage occurs please disassemble the drain line or overflow assemblies and you can apply a plumbing putty/silicone caulk to fix the leakage.

Once the leakage test was performed you may proceed to the installation.



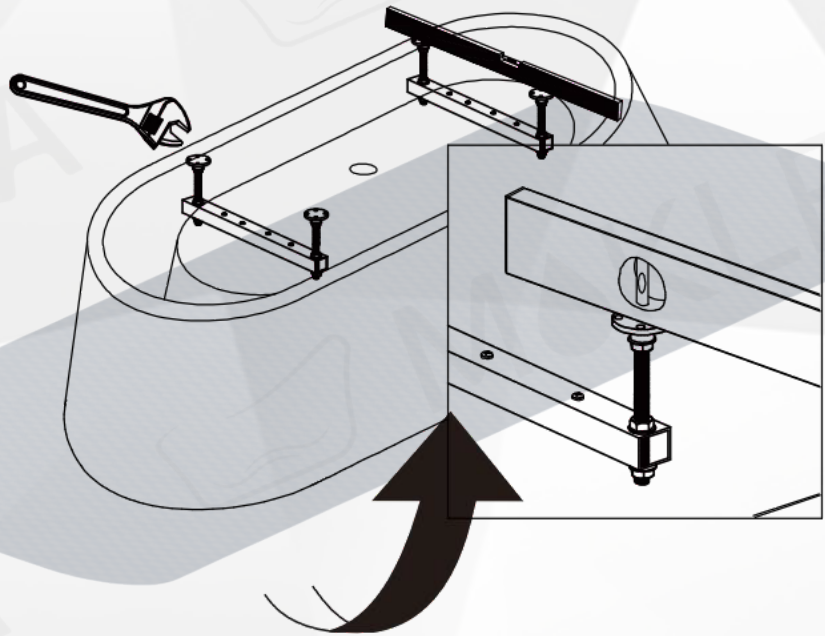
NO.2

Clean, level and prepare the floor for installation, Place the tub in the exact installed location on the floor and trace the outline of the bathtub with pencil and mark the drain hole location on the floor. Move the tub away so that the plumbing can be installed.



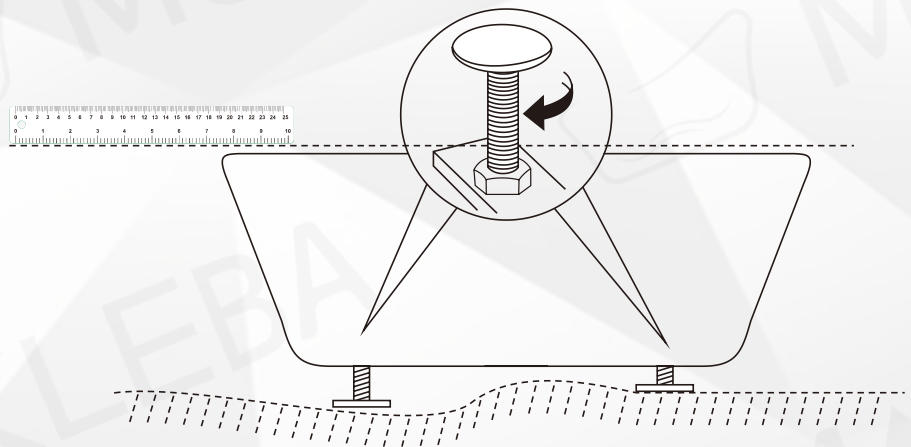
NO.3

Place the bathtub upside down on a dust sheet or soft cloth to avoid scratching the surface. Use a spirit level to adjust the legs of the bath base until they are level. Then raise the leveler an additional 1/8" or 3/16" so that the weight of the tub, water, and user is fully supported by the feet adjuster and not the tub walls.



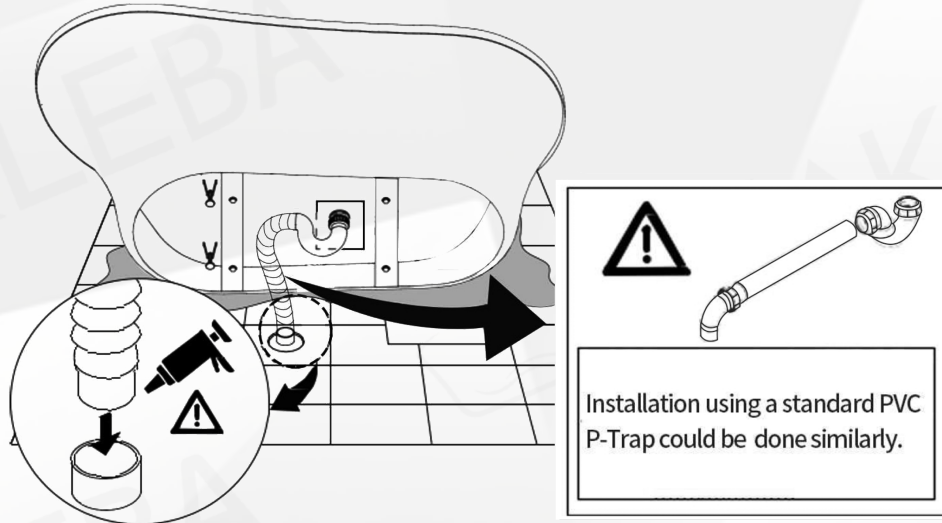
NO.4

Turn the bathtub upright and temporarily position it in the bathroom. Use a spirit level to check along the top edge. Adjust the feet if necessary and lock them securely.



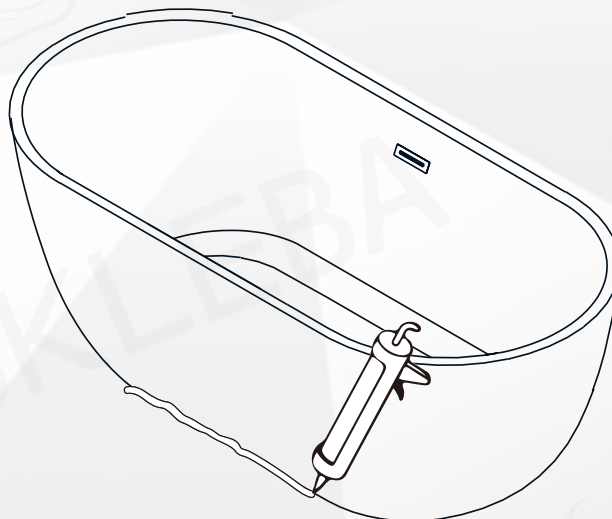
NO.5

The flexible tube is already connected beneath the pop-up waste in the bathtub. You simply need to connect the flexible tube to your pre-installed floor drain and seal it with silicone sealant.

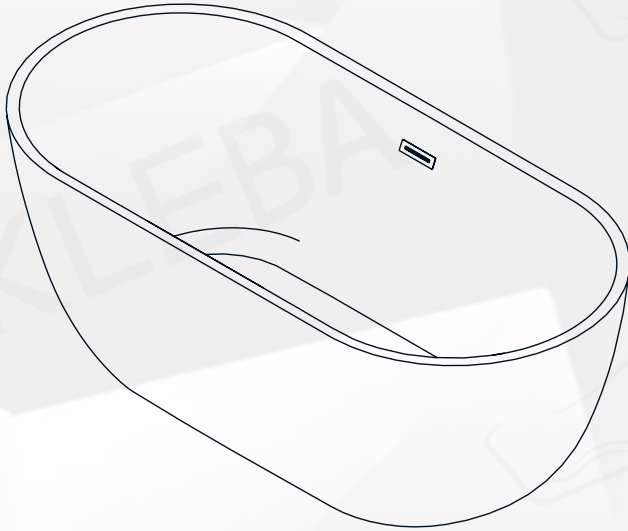


NO.6

After installation, run water through the waste to check for leaks. Once confirmed, apply silicone sealant along the underside edge of the bathtub to seal and finish.



NO.7 Allow 24 hours for the silicone to fully cure before use.



24h

AFTER INSTALLATION :

Fill the bathtub with water and check all connections for leaks.

CARE & CLEANING

- Use a soft cloth or sponge for cleaning. Avoid scouring pads, pot cleaners, or similar products as they will dull the surface.
- For daily cleaning, use mild soap and warm water.
- Do not use abrasive cleaners, strong disinfectants, aerosol sprays, or ammonia-based products.
- Every few months, lightly polish the bathtub with LIBRA acrylic polish to restore its original shine.

WARRANTY

For 1 year from the date of purchase, when this bathtub is operated and maintained according to instructions attached to or furnished with the product, Mokleba will supply factor specified replacemens parts for free if needed. This limited warranty is valid only in the United States or Canada and applies only when the bathtub is used in the country where if was purchased. Outside the United States and Canada, this limited warranty will be voided if it is used outside the United States and Canada. Proof of original purchase date is required to obtain service under this limited warranty.

WARRANTY EXCLUSIONS

- **This warranty shall not apply if the bathtub is damaged by accident, misuse, fire, flood, or other acts of God.**
- By using this bathtub, the owner agrees that the manufacturer's liabilities shall not extend to consequential, incidental, or indirect damages or injuries arising from such use. The manufacturer's obligations are limited solely to those set forth herein, and Mokleba assumes no other express or implied obligations or liabilities.
- Any modification to this bathtub made without the manufacturer's prior written approval shall void this warranty in its entirety.

30 Days Return

We accept all returns within 30 days with return shipping to be paid by the customer if the item was:

- √ Deemed unsuitable
- √ The wrong size
- √ Purchased but not used
- √ An accidental purchase
- √ A buyer's remorse

RESOLUTION PROCESS FOR DAMAGES OR MISSING ITEMS

- √ Customer provides images of damage (mandatory)
- √ We send a replacement unit (discretionary)
- √ Customer notifies us (Mokleba) for missing parts or items
- √ We send replacement parts

- √ Customer is provided a new tracking number for the replacement or parts shipped via Ground shipping or Parcel buyer's remorse

If the product has no quality issues, returns and exchanges will not be accepted 30 days after signature.

If shipping damage is noticeable upon arrival, please immediately reject the package, take pictures of the damage, and contact customer support for assistance.

If the item is delivered and arrives damaged, we will either send a replacement and take back the damaged item, or send parts to repair the item, depending on the severity of the damage.

A full replacement will be issued only at our discretion. Under certain authorized vendors who carry our products, shipping damages that require a full replacement will require contacting the seller and not Mokleba.

All shipping damages must be reported within 30 days of delivery. Missing or lost items must be reported within 7 days of delivery.

The customer must also notify the local authorities to obtain a police report if the tracking information shows the item as being delivered, but not received. A replacement part or unit will be shipped out only if these rules are met. After the 30-day window for damaged items or 7 days for lost and missing packages, Mokleba reserves the right to not ship replacement parts or complete units. No exceptions will be made, and we will not be held responsible.

FREIGHT SHIPMENTS-BATHTUBS OVERSIZED RANGE

All bathtubs will ship via freight. Due to the large size and weight, please allow approximately 2 weeks for the item to arrive. If you have received a freight shipment, please kindly:

1. Inspect for damages (eg: cracks, chips, etc.)
2. Inspect for missing parts or items part of a bundle

DISCLAIMER OF IMPLIED WARRANTIES: LIMITATION OF REMEDIES

Customer's sole and exclusive remedy under this limited warranty shall be product repair as provided herein. Implied warranties, including warranties of merchantability or fitness for a particular purpose, are limited to one year or the shortest period allowed by law. Mokleba shall not be liable for incidental or consequential damages. Some states and provinces do not allow the exclusion or limitation of incidental or consequential damages, or limitations on the duration of implied warranties of merchantability or fitness, so these exclusions or limitations may not apply to you.

This warranty gives you specific legal rights, and you may also have other rights which vary from state to state or province to province.



MOKLEBA

OFFICIAL WEBSITE: WWW.MOKLEBABATH.COM

E-MAIL: service@moklebabath.com

TEL: 631-690-6133 (GMT-5/9:30AM-6:30PM/Mon-Fri)