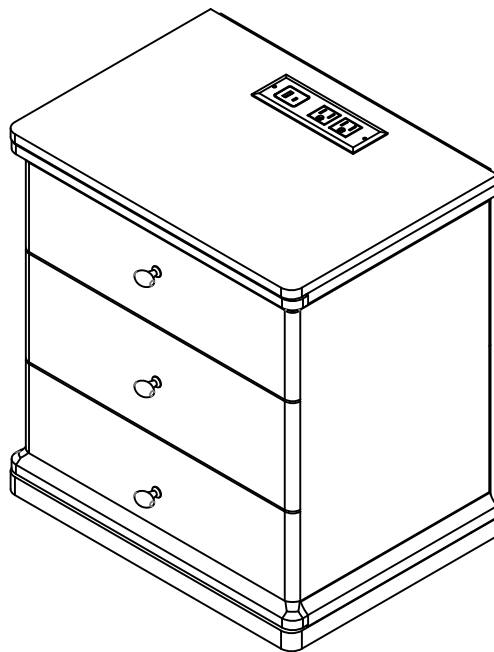
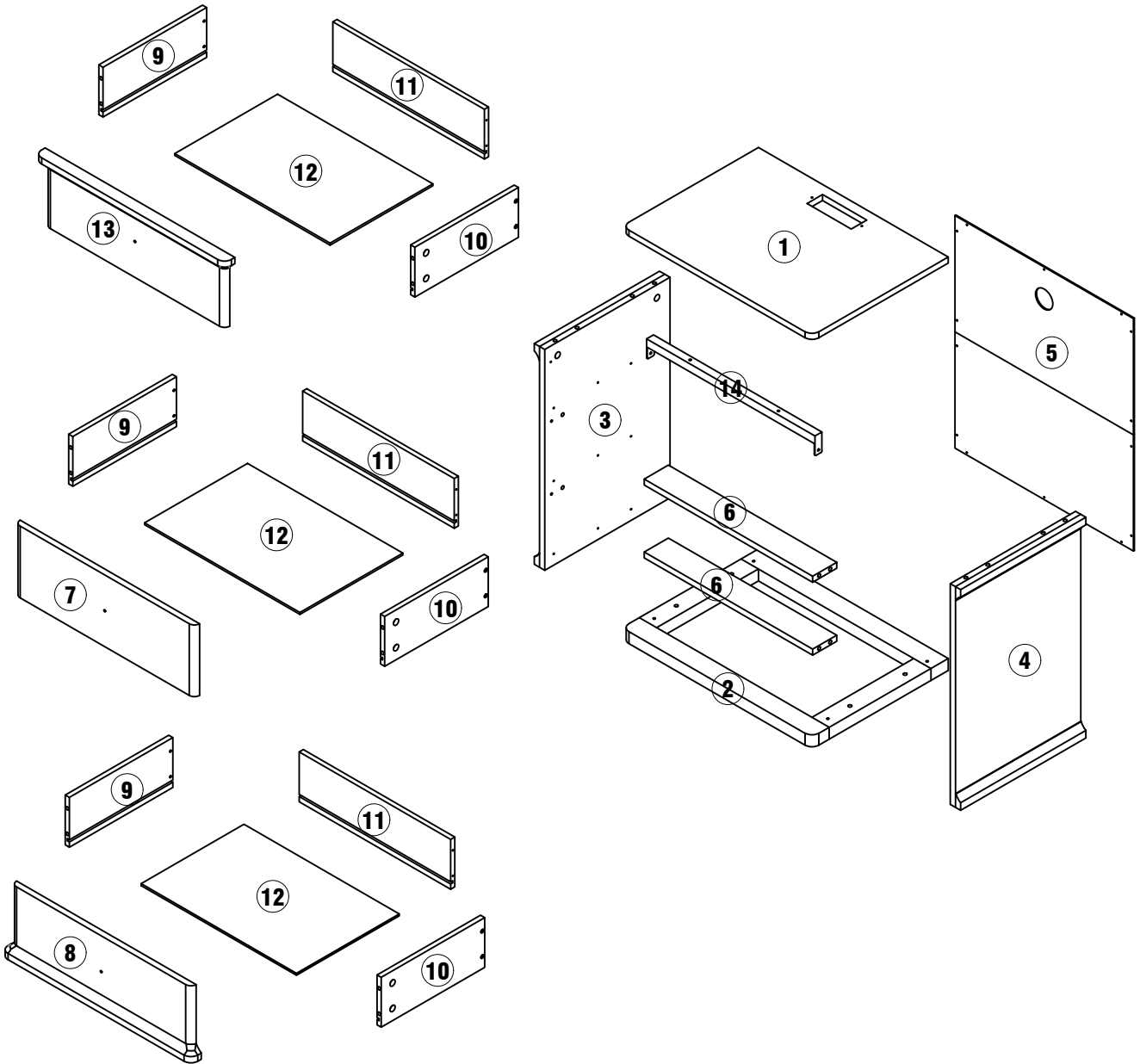


ASSEMBLY INSTRUCTIONS




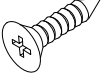
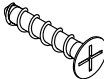



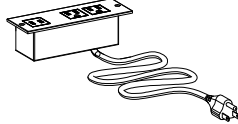
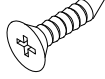
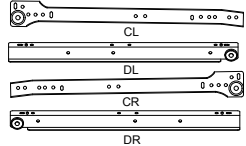
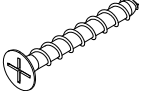

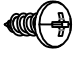

PACKAGE INCLUDE



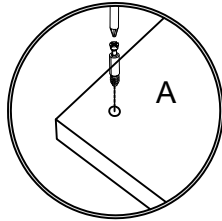
PACKAGE INCLUDE

CODE	DESCRIPTION	QTY
1	Top Panel	1
2	Bottom Panel	1
3	Left Side Panel	1
4	Right Side Panel	1
5	Back Panel	1
6	Wood Strip	2
7	Middle Drawer Panel	1
8	Lower Drawer Panel	1
9	Drawer Left Side Panel	3
10	Drawer Right Side Panel	3
11	Drawer Back Panel	3
12	Drawer Bottom Panel	3
13	Upper Drawer Panel	1
14	Iron Pipe	1

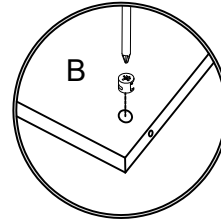
PACKAGE CONTENT

<p>Ø8X30MM</p>  <p>A 12X+1</p>	<p>Ø3X11MM</p>  <p>B 36X+1</p>	<p>Ø4X35MM</p>  <p>C 12X+1</p>	<p>Ø15X10MM</p>  <p>D 20X+1</p>
<p>Ø3.5X12MM</p>  <p>F 14X+1</p>	<p>G 20X+1</p> 	<p>H 1X</p> 	<p>Ø3.5X14MM</p>  <p>J 2X</p>
 <p>K 3X</p>	<p>Ø4X50MM</p>  <p>L 4X</p>	<p>M 3X</p> 	<p>N 2X</p> 
<p>Ø4X30MM</p>  <p>O 2X</p>			

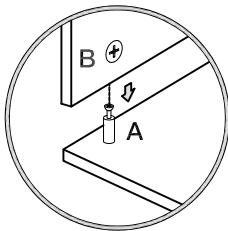
How to use the cam lock system



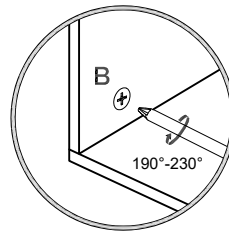
1. Screw cam bolt into panel



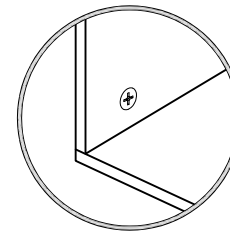
2. Push cam into panel - arrow feature on cam top points to panel edge



3. Align cam bolt(s) with cam(s) and insert all the way into cross-bored hole(s)

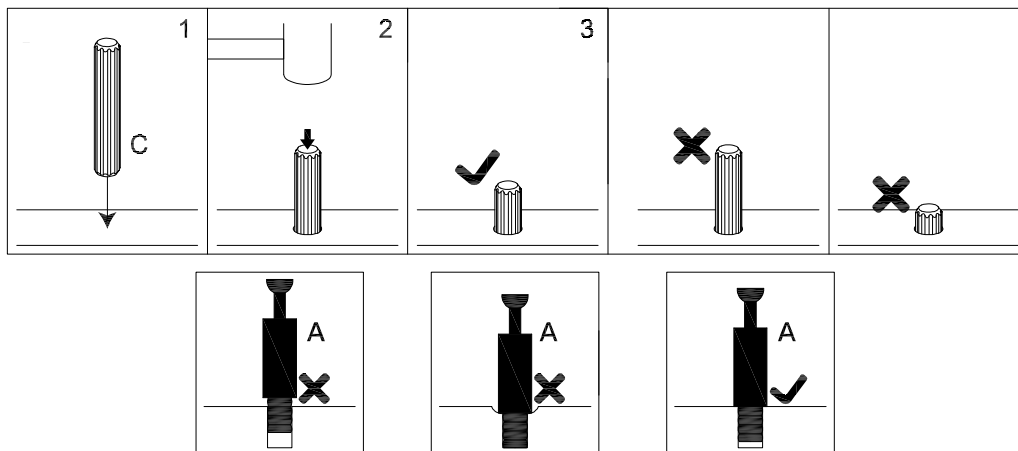


4. Rotate cam(s) clockwise 190°-230° to lock panels together



5. Panels should be tight against each other and connection should be rigid

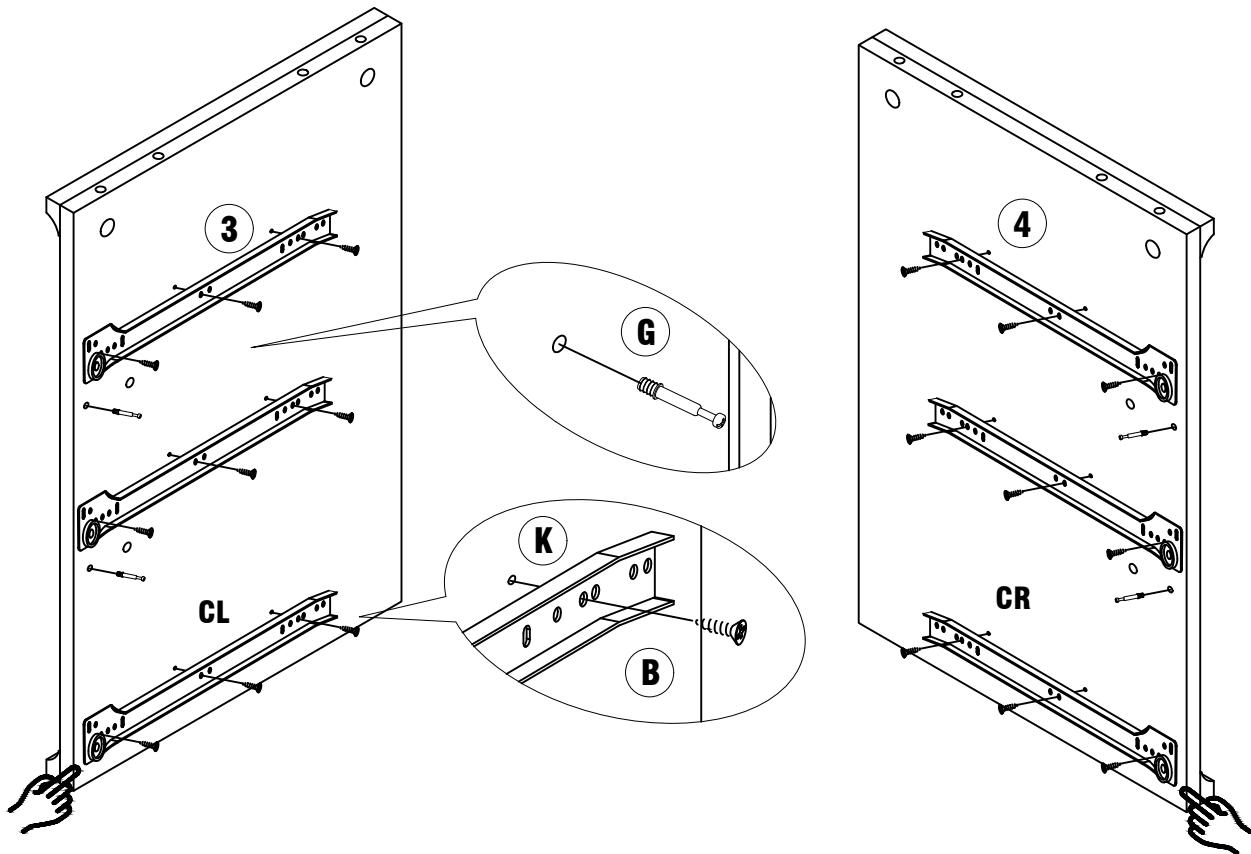
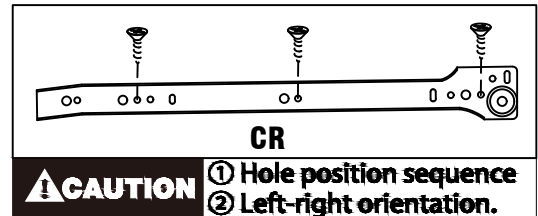
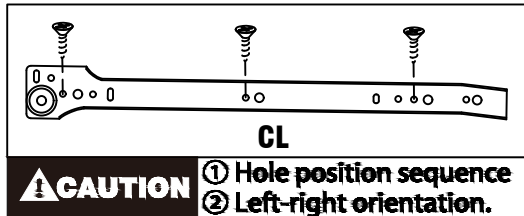
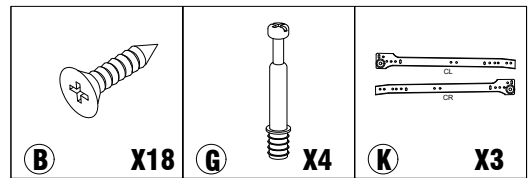
Insert the wood dowel [C] at least half way by tapping lightly with a rubber mallet, IF NECESSARY.



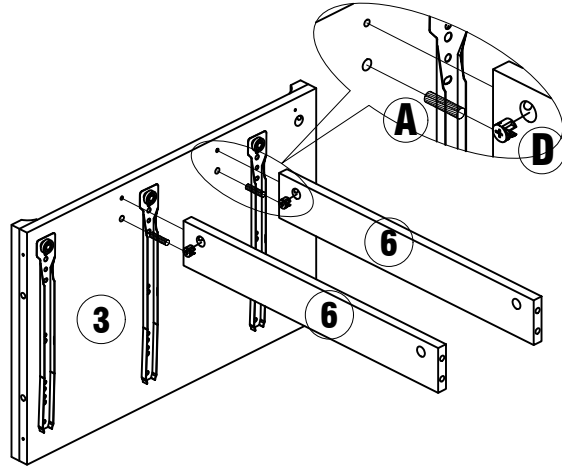
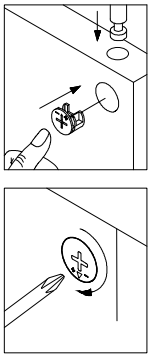
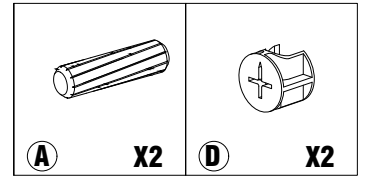
⚠ WARNING

- Unit must be placed on a level surface or leveled with included hardware (when applicable).
- Do not sit or stand on or allow children to climb, sit or stand on the assembled product.
- For safety reasons, it is imperative that this unit be mounted to the wall.
- Do not use without installing the tip restraint.
- Unit can tip over causing severe injury or death.
- Do not exceed the recommended weight limits.
- Evenly distribute the weight on each level and always keep the heavier loads on the bottom.
- Before cutting, drilling or hammering into any wall or floor surface, verify the location of electrical, plumbing and gas lines. Cutting may cause serious injury.

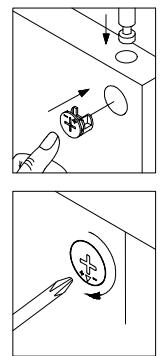
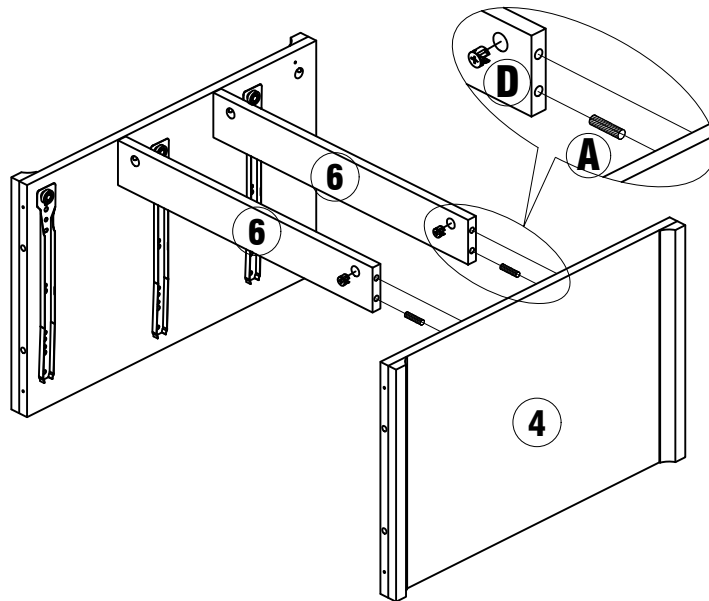
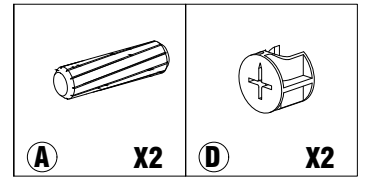
STEP 1



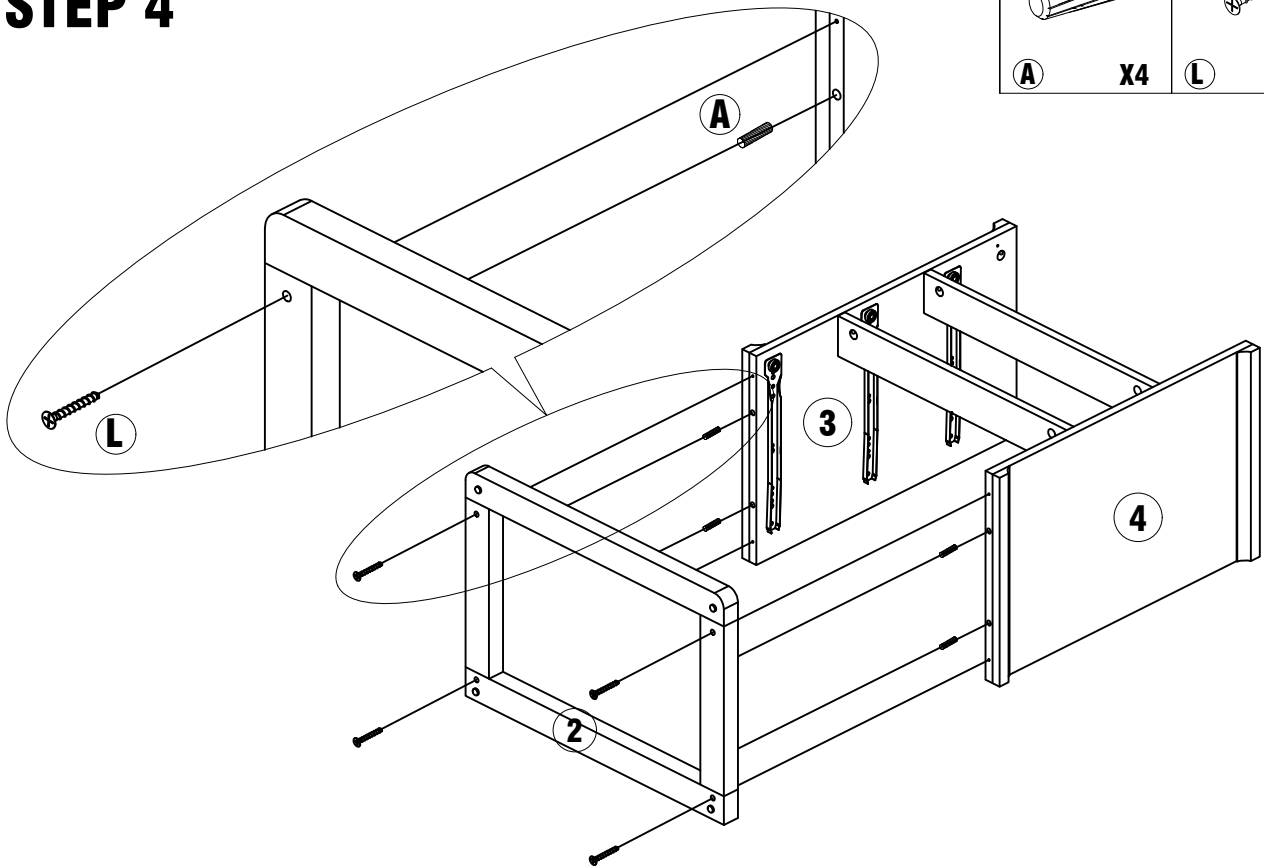
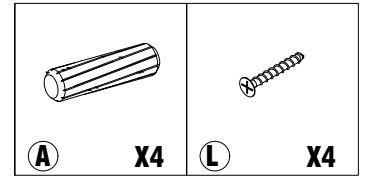
STEP 2



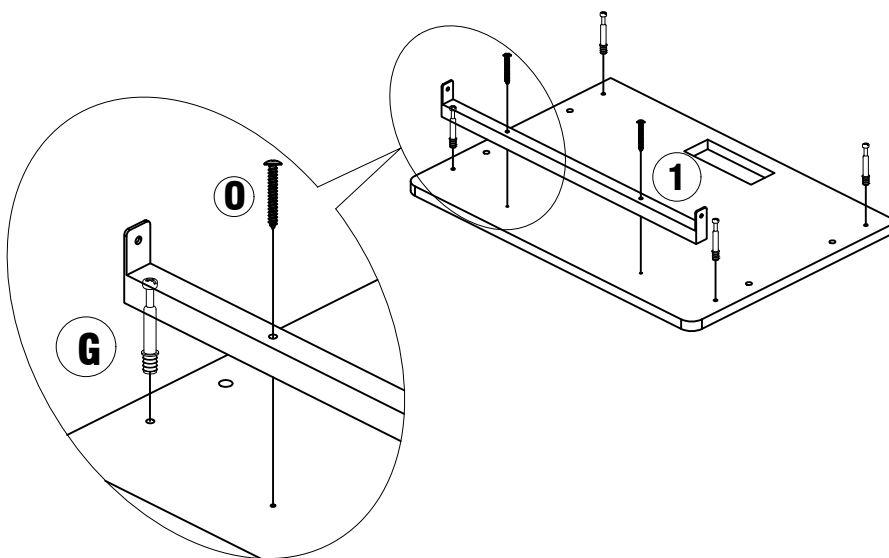
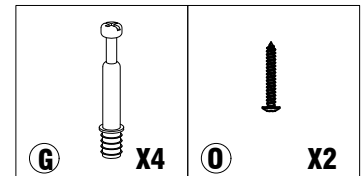
STEP 3



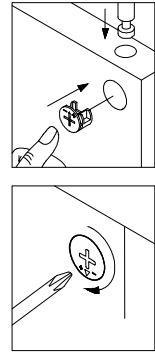
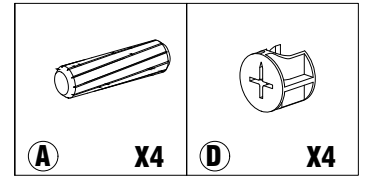
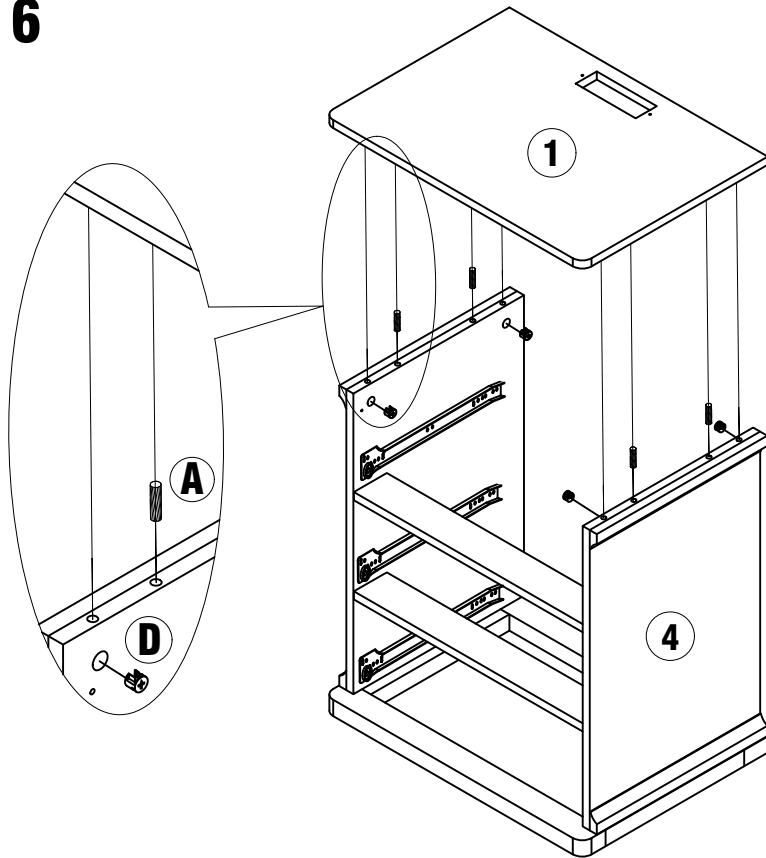
STEP 4



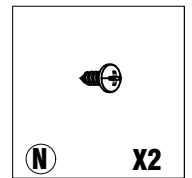
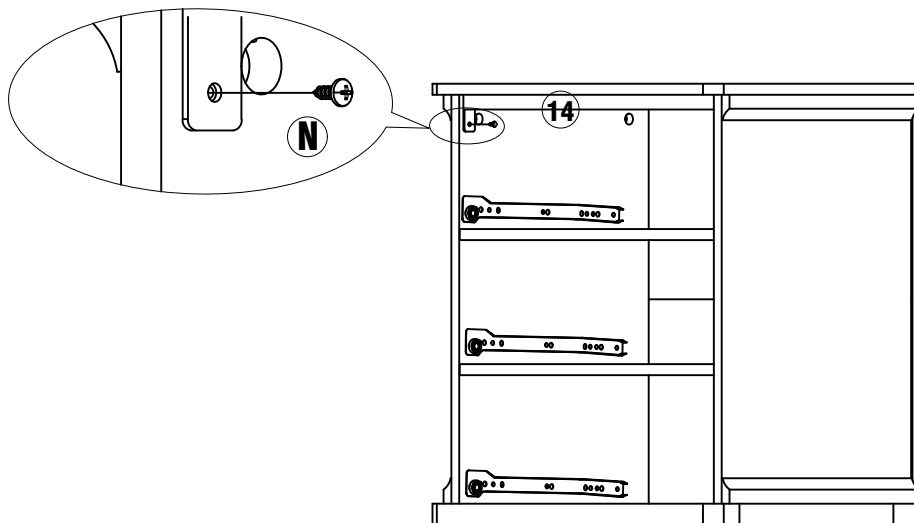
STEP 5



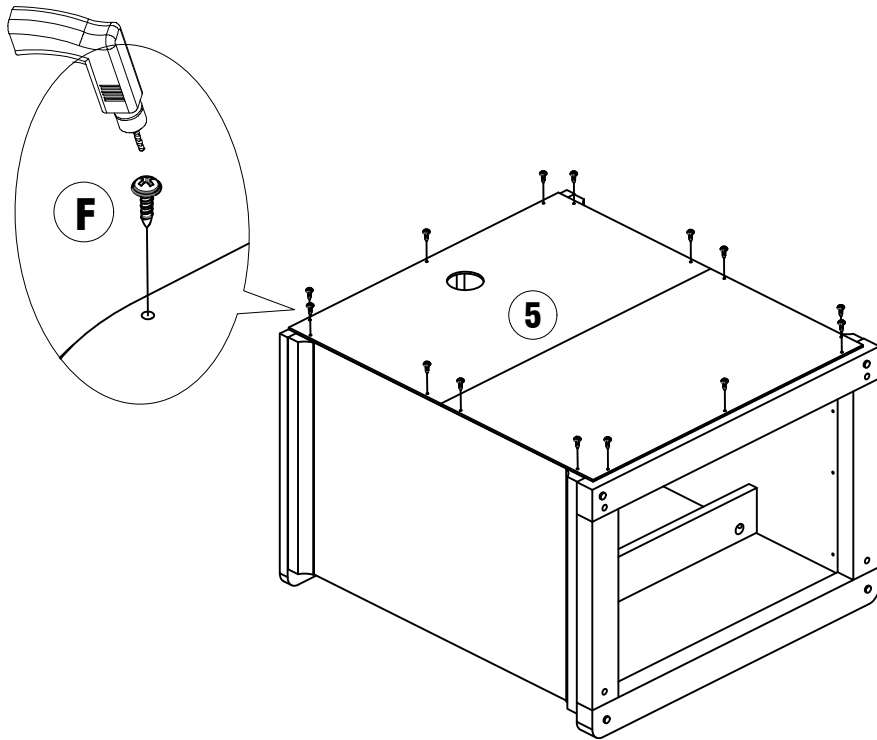
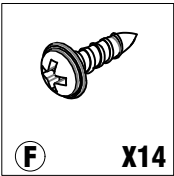
STEP 6



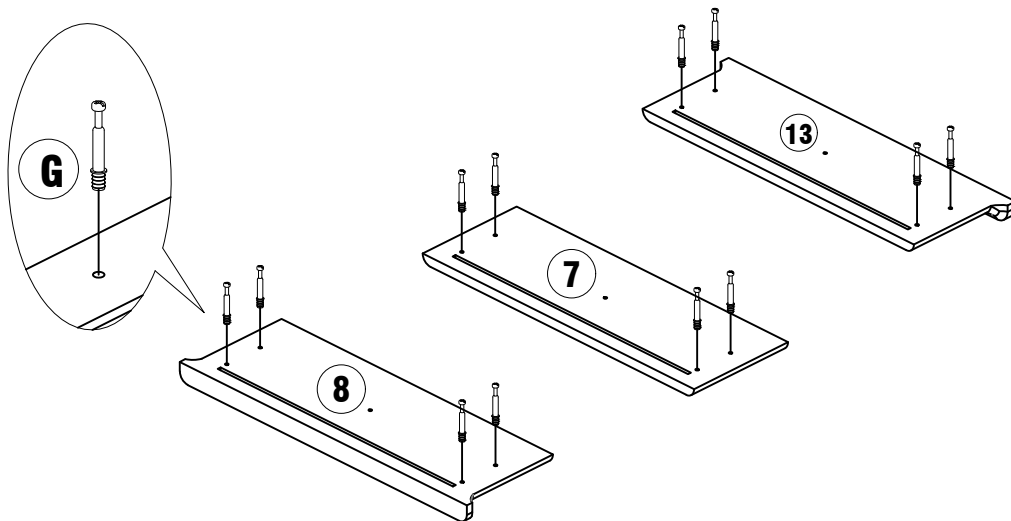
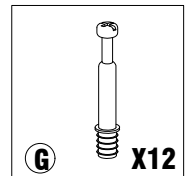
STEP 7



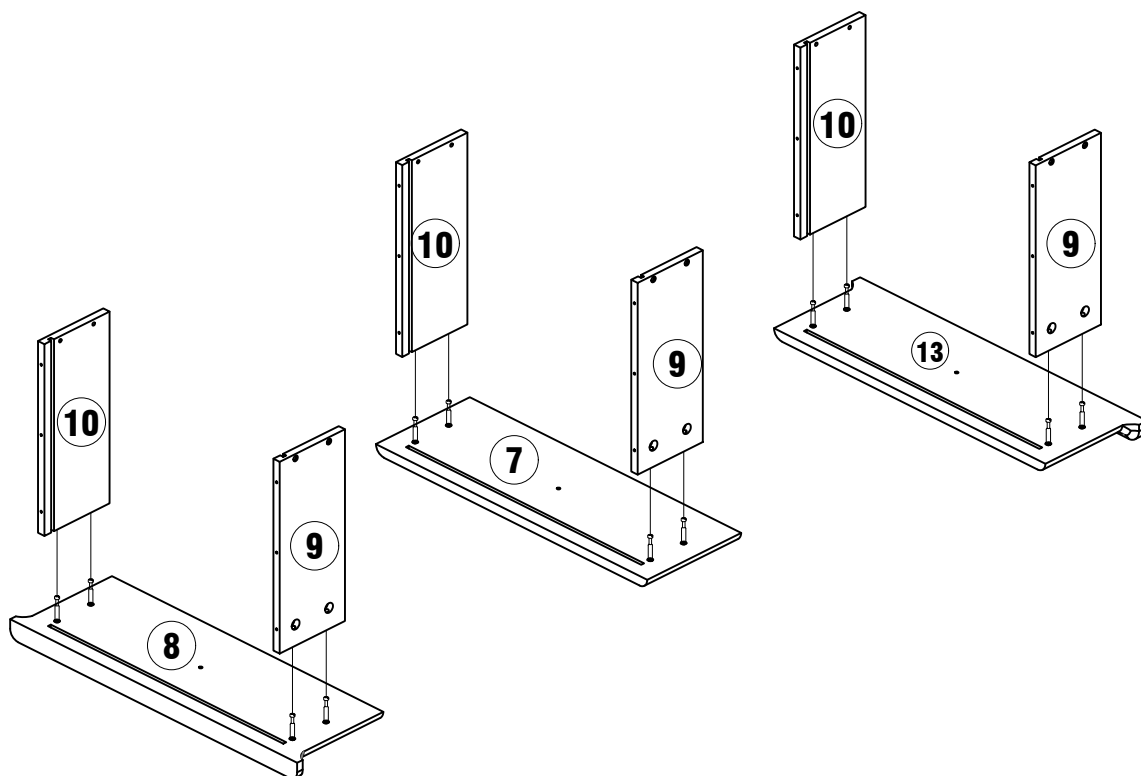
STEP 8



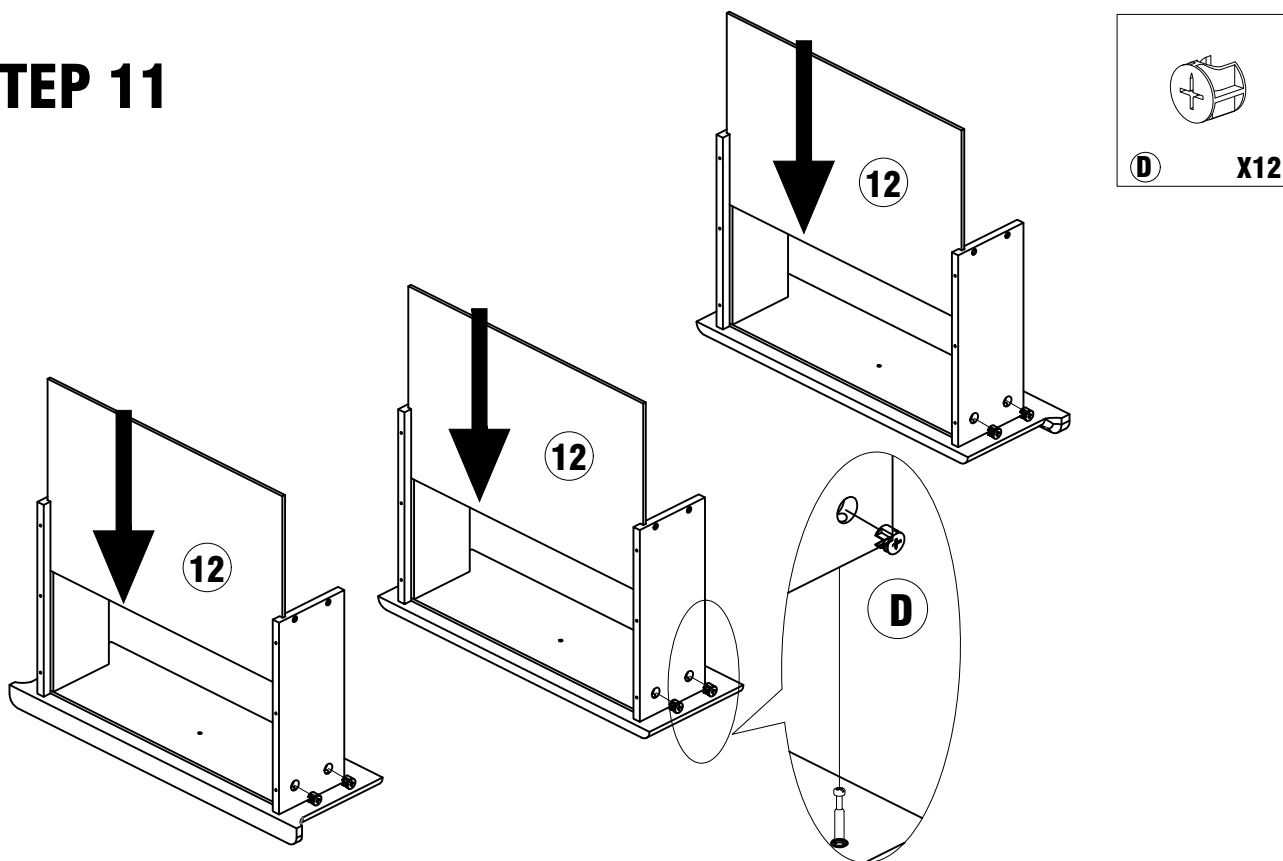
STEP 9



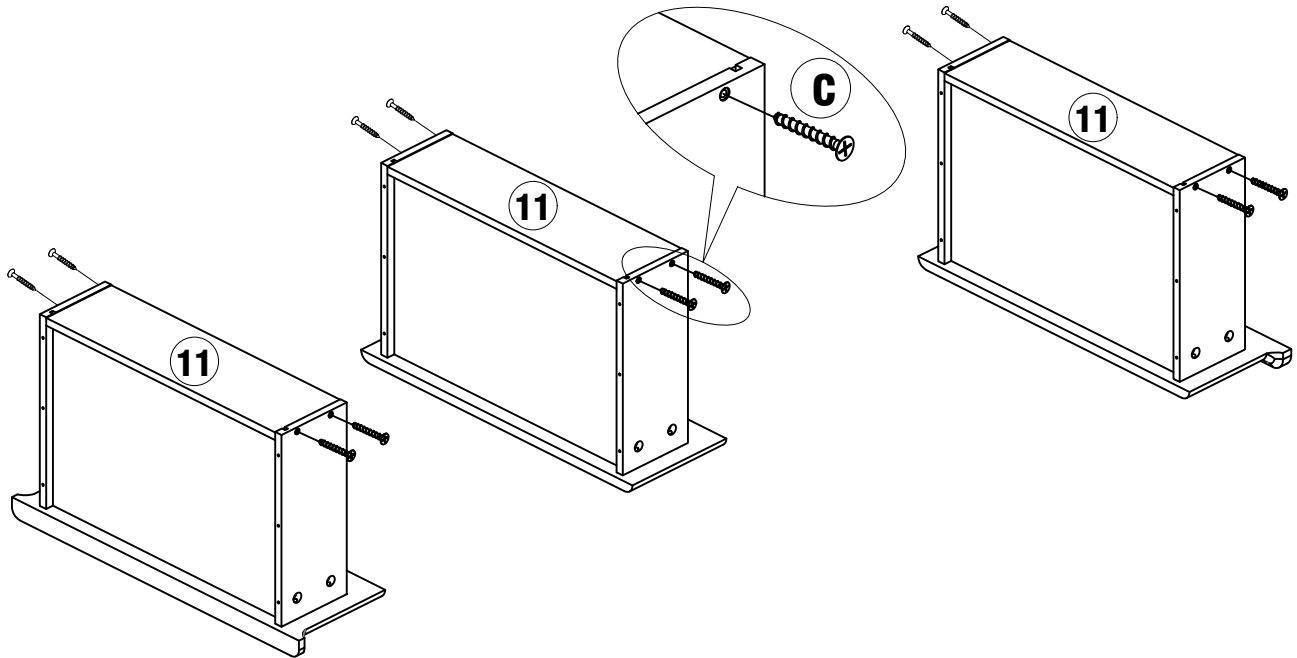
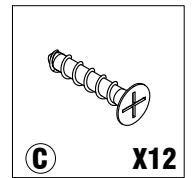
STEP 10



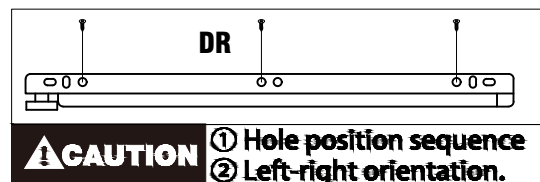
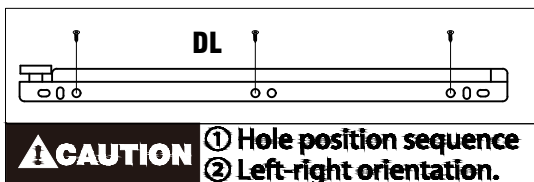
STEP 11



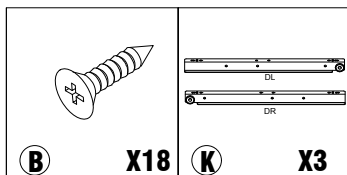
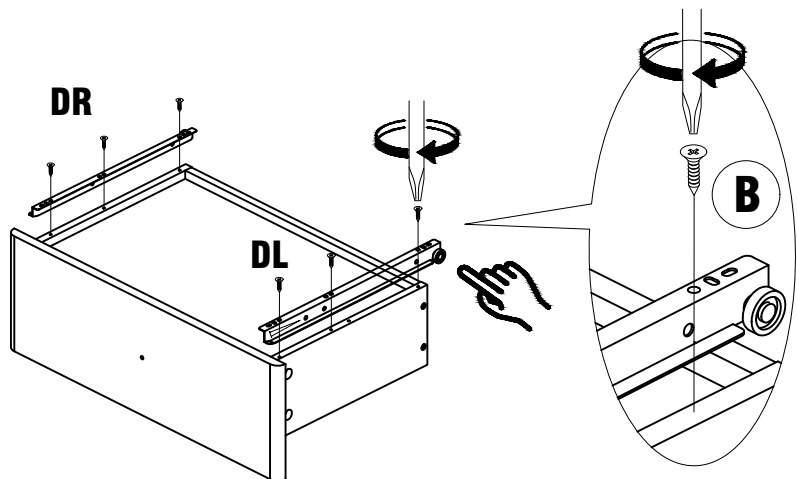
STEP 12



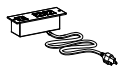
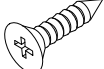

STEP 13



X3



STEP 14

					
H	X1	J	X2	M	X3

