






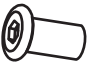
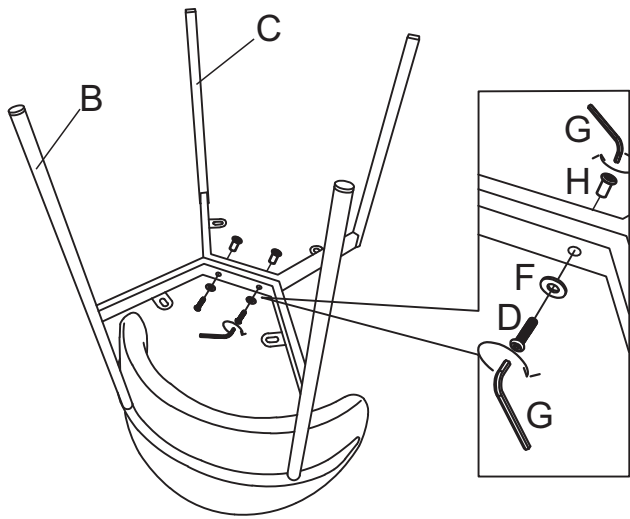


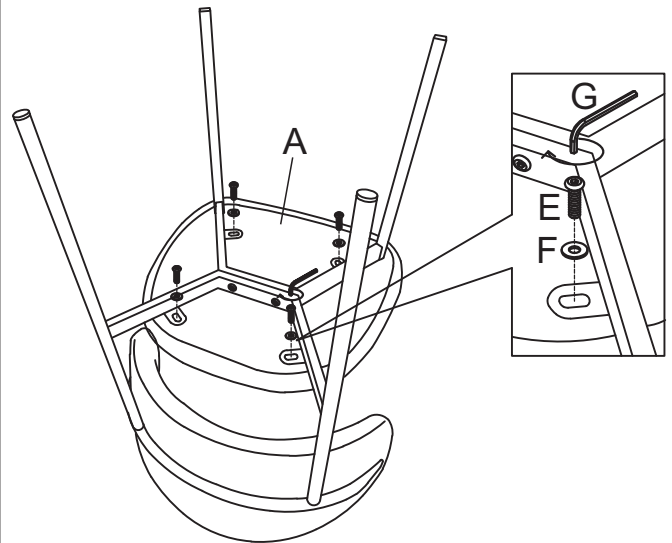
ASSEMBLY INSTRUCTION

			 M8x20mm	 M6x30mm	 M6x18mm	 M5	
A X1	B X1	C X1	D X2	E X4	F X6	G X2	H X2

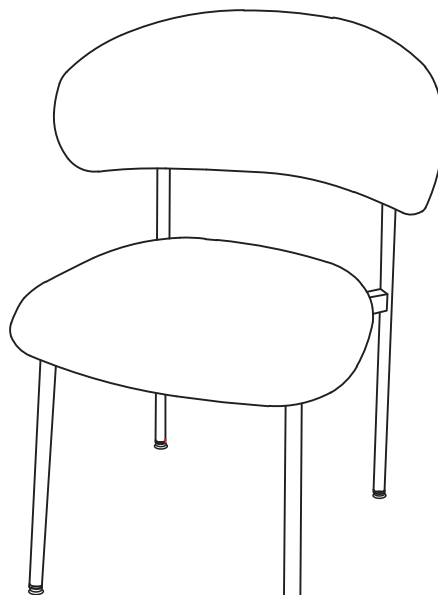
STEP1:



STEP2:



STEP3:



The four black plastic feet are adjusted. you can turn them and adjust its height to help to make the chair stable

