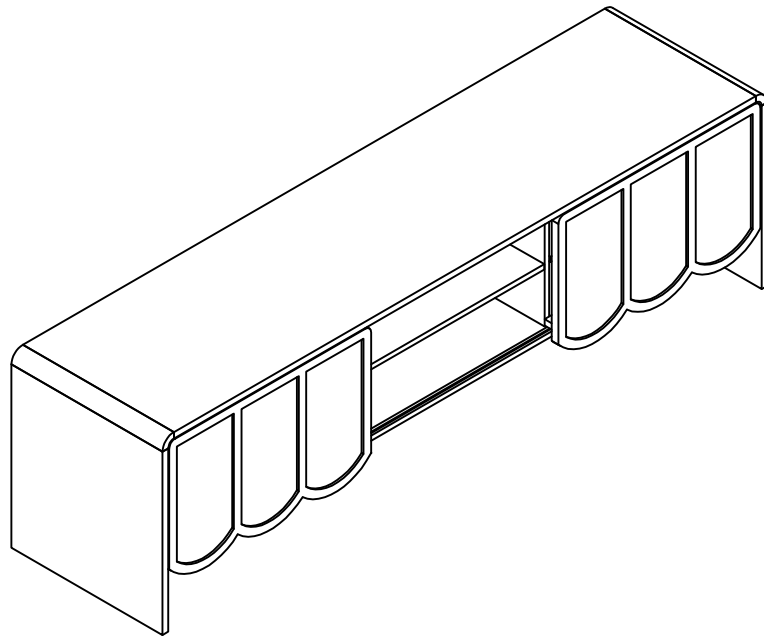
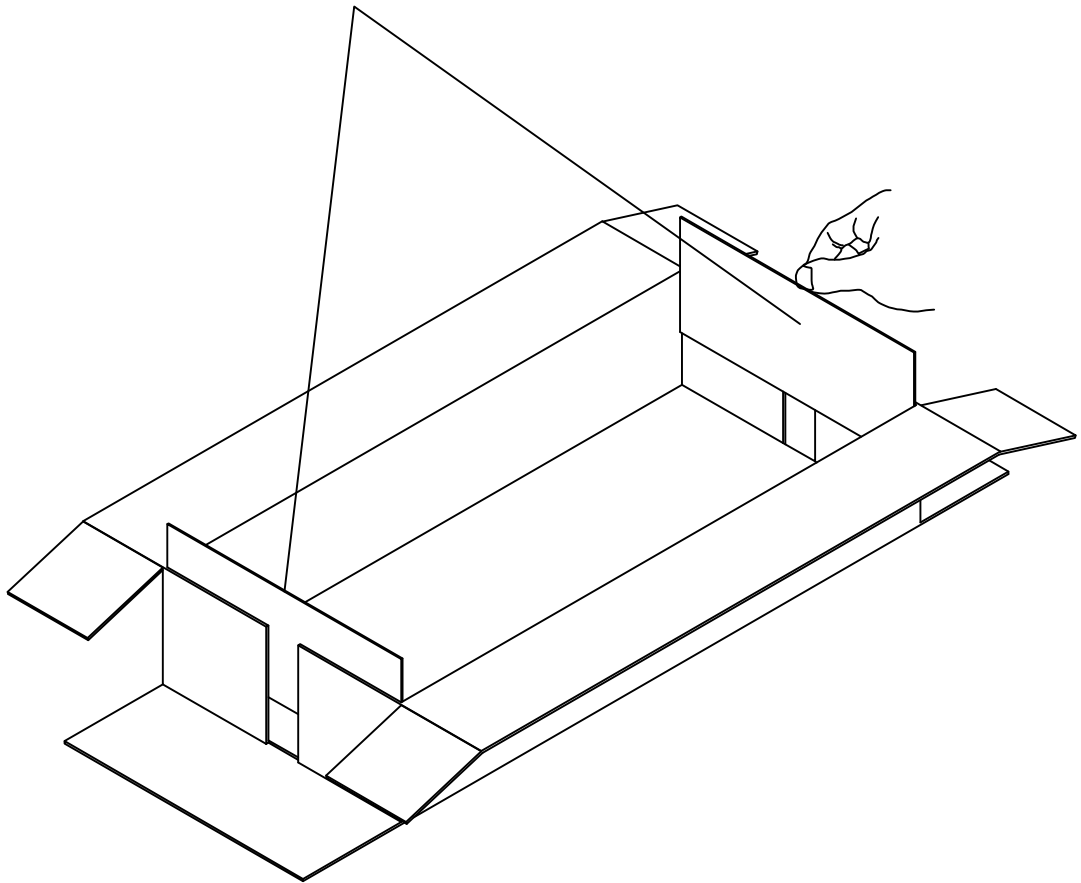


Installation Instruction





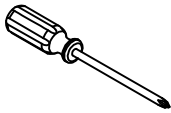
The two panels on the left and right of the package are used to protect the product, you can just throw it away.



Assembling

What you need

- Use the packaging carton as a working surface to prevent product damage during assembly
- Phillips head screwdriver



Weight Limitation



100

lbs table top

| 35

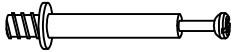
lbs per

What' included

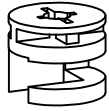
Code	Description	Qty
A	Cam Bolt M6X35MM	28
B	Cam Lock 15X10MM	28
C	Wooden Dowel M8X30MM	24
D	Screw M4X40MM	6
E	Screw M3.5X12MM	10
F	Screw M4X25MM	8
G	Nylon Strap	2
H	Screw M3.5X12MM	20
I	Shelf Holder	8
J	Plastic Angle code	12
K	Anchor	2
L	MATS	4
M	Hole position sticker	28
N	Sliding wheel	4
O	Adjustable foot	2
P	The bolt	4

The Hardwares

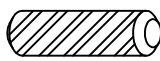
Ⓐ



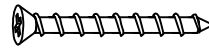
Ⓑ



Ⓒ



Ⓓ



Ⓔ



Ⓕ



Ⓖ



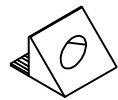
Ⓗ



Ⓘ



Ⓙ



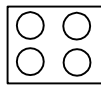
Ⓚ



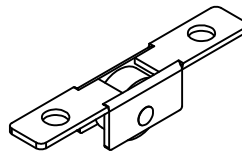
Ⓛ



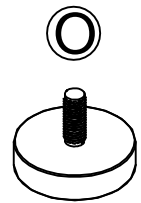
Ⓜ



Ⓝ



Ⓞ



Ⓟ



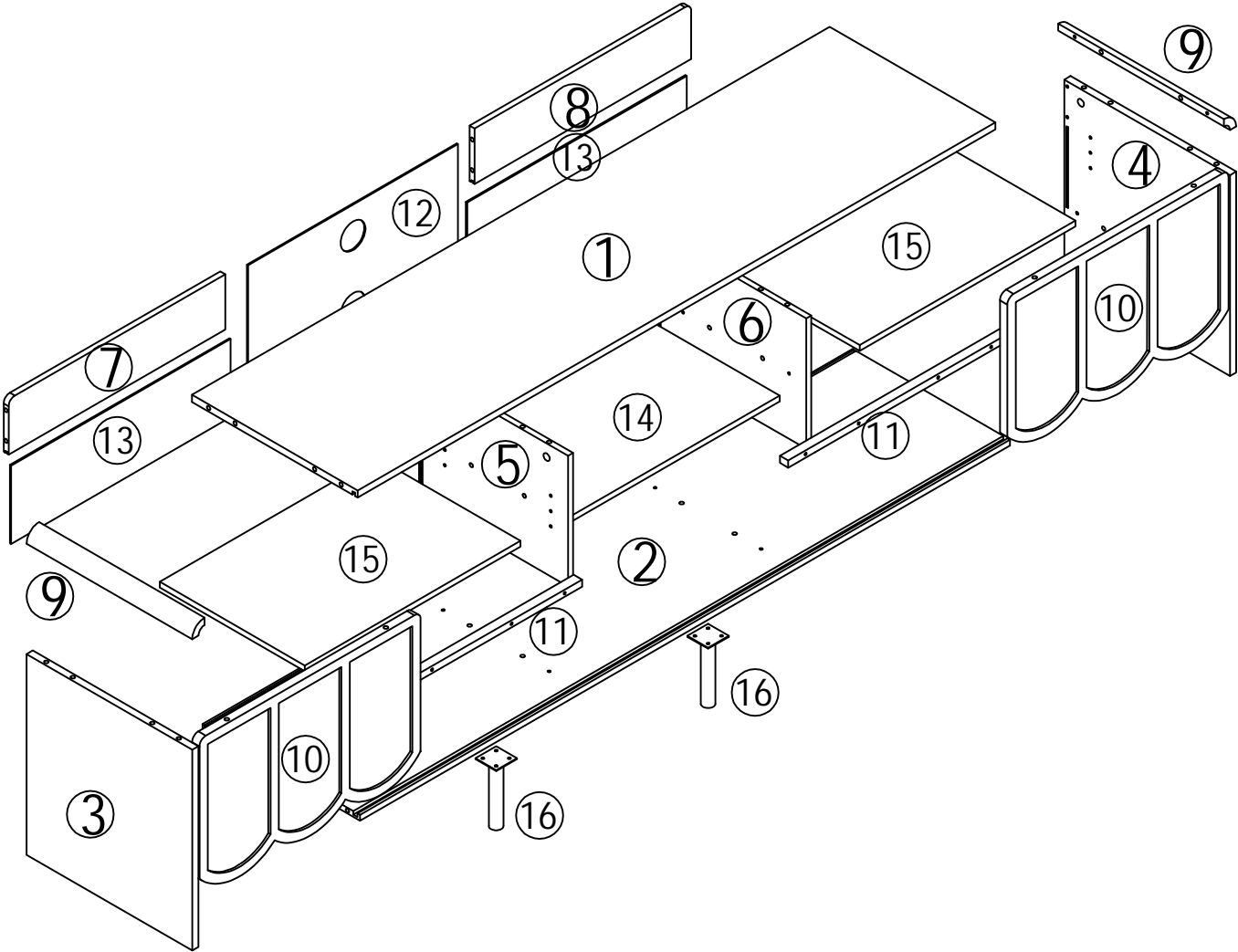
IMPORTANT:

1. Do not tighten bolts / screws completely until all bolts / screws are lined up and inserted into holes.
2. Do not over tighten screws and bolts to avoid stripping
3. Please use hand tools to assemble this product, you can also use power tools (please use power tools carefully).

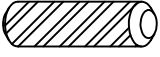
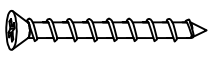
Included Accessories

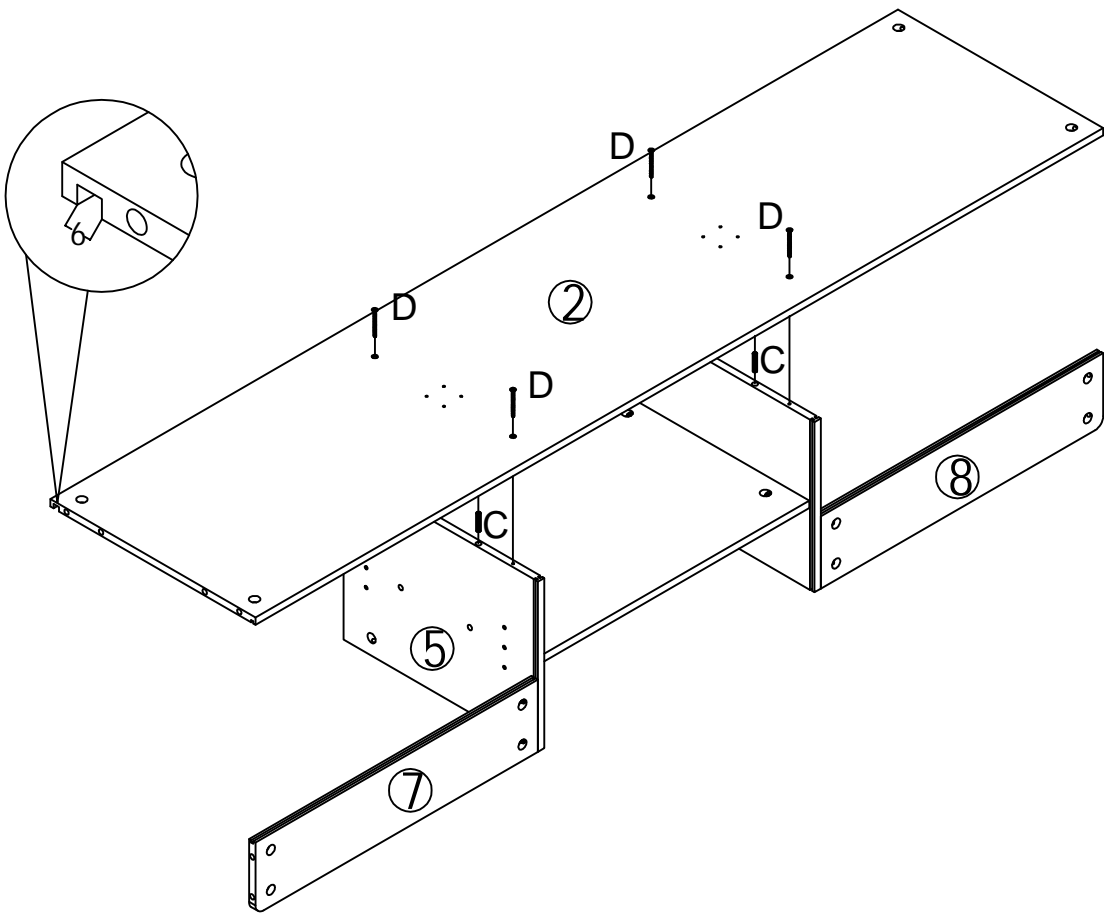
Code	Description	Qty
1	Cabinet Top	1
2	Bottom Panel	1
3	Left Side Panel	1
4	Right Side Panel	1
5	Left median septum plate	1
6	Right median septum plate	1
7	Left Back plate	1
8	Right Back plate	1
9	Lower partition board	2
10	the door	2
11	Guide plate	2
12	Back plate	1
13	Left and right Back plate	2
14	Layer board	1
15	The move Layer board	2
16	Solid wood feet	2

The Accessoriess

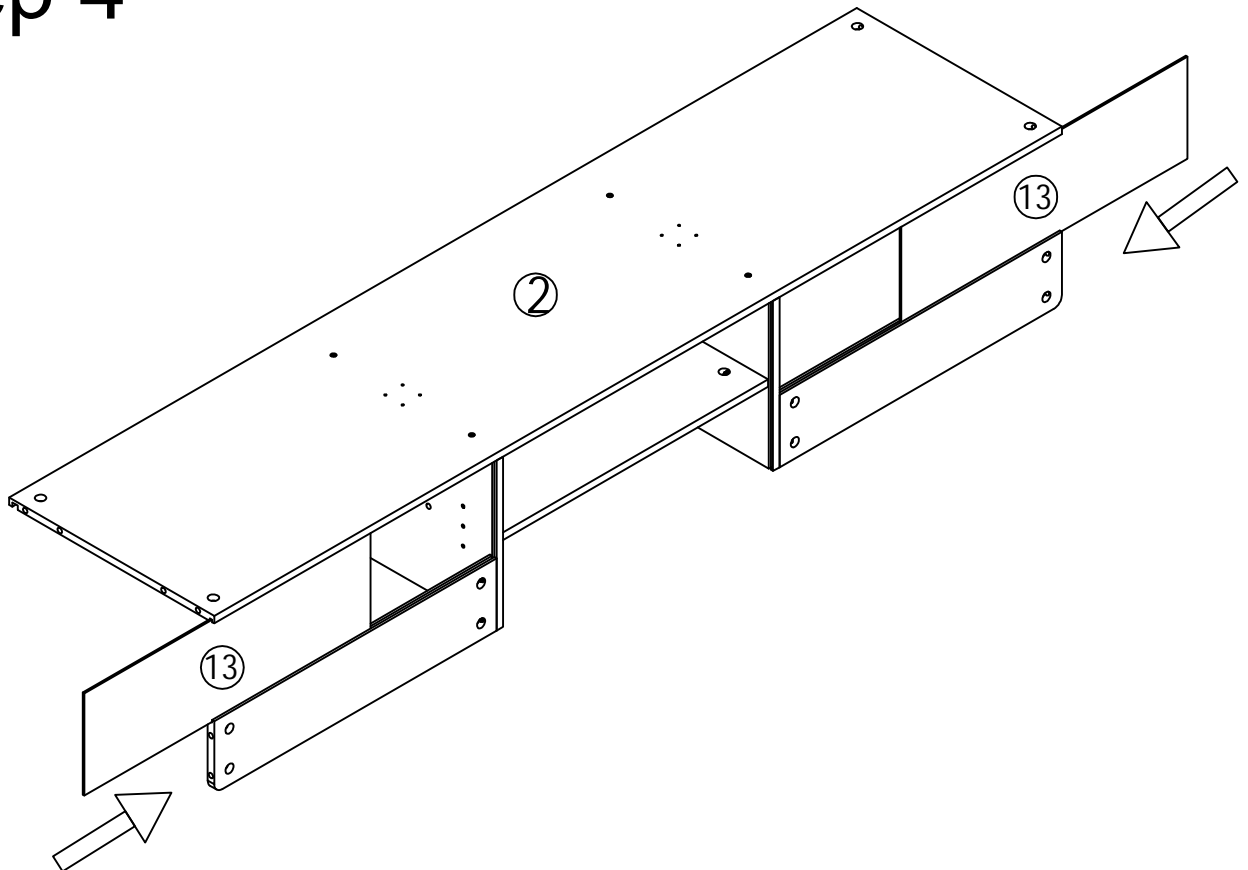


Step 3

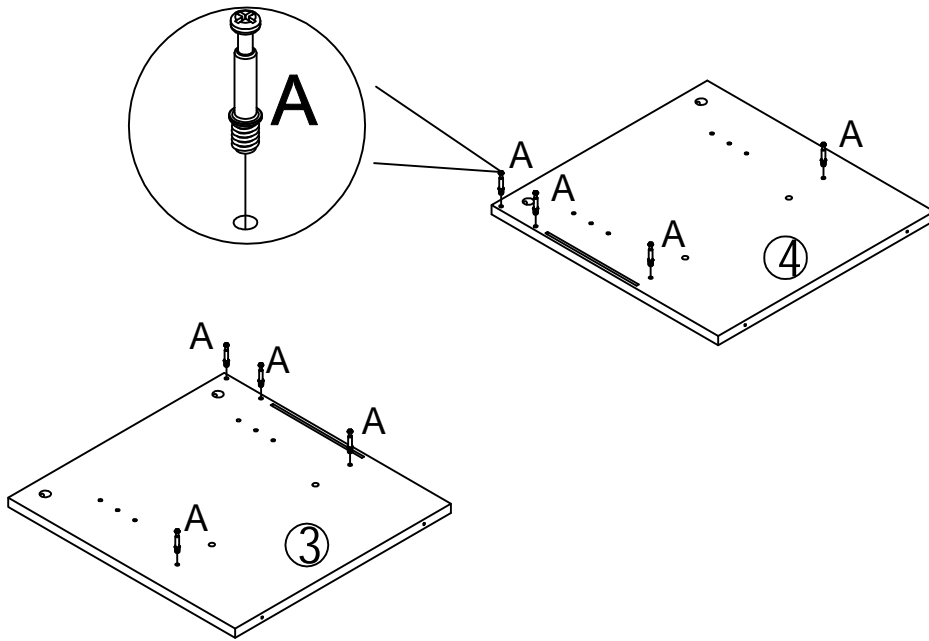
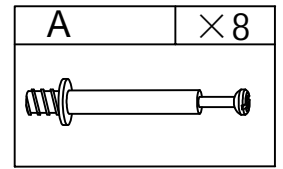
C	×4
	
D	×4
	



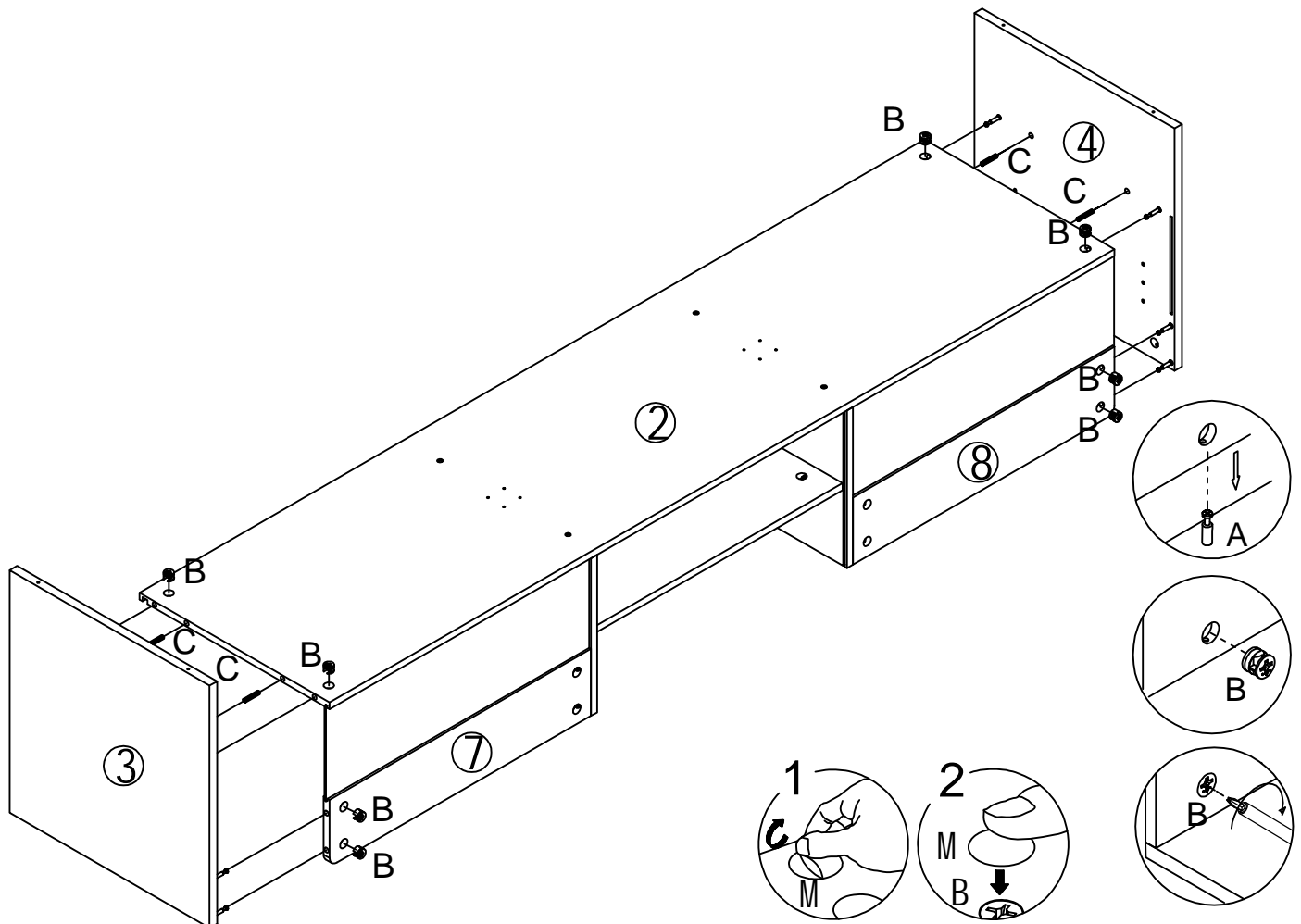
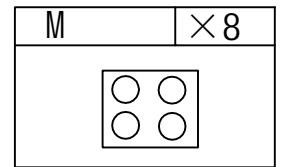
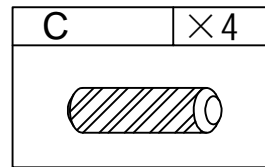
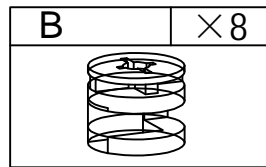
Step 4



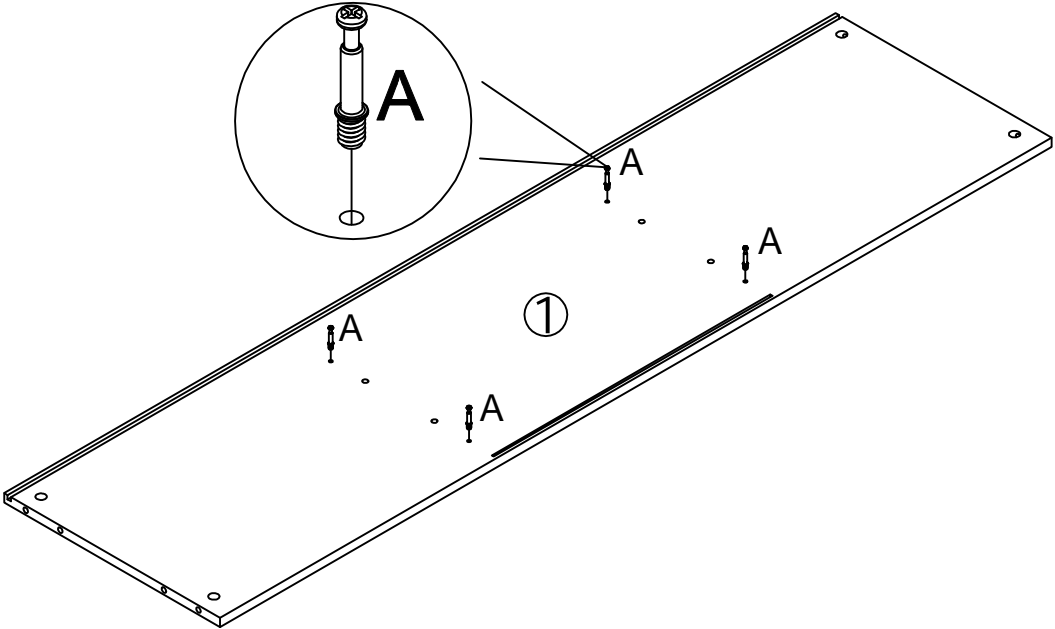
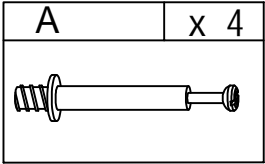
Step 5



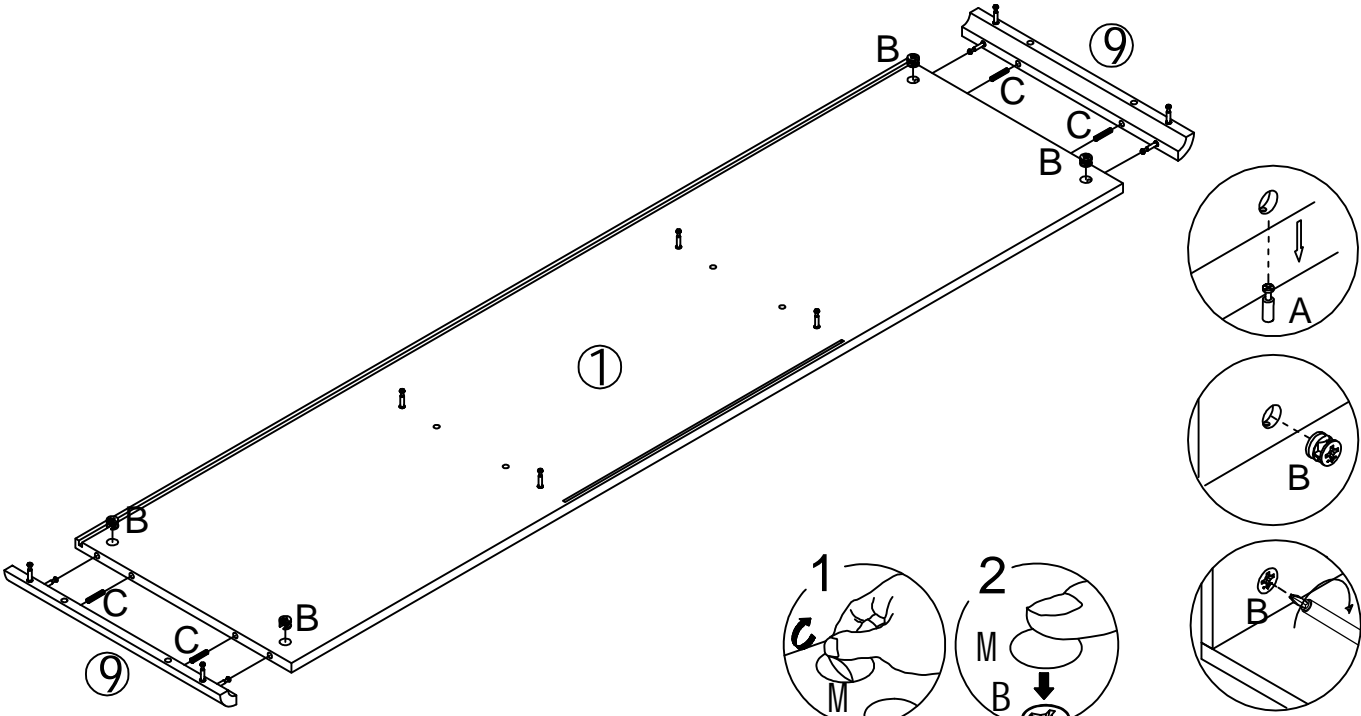
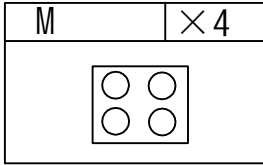
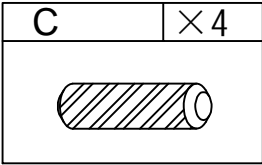
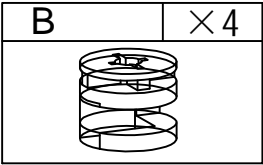
Step 6



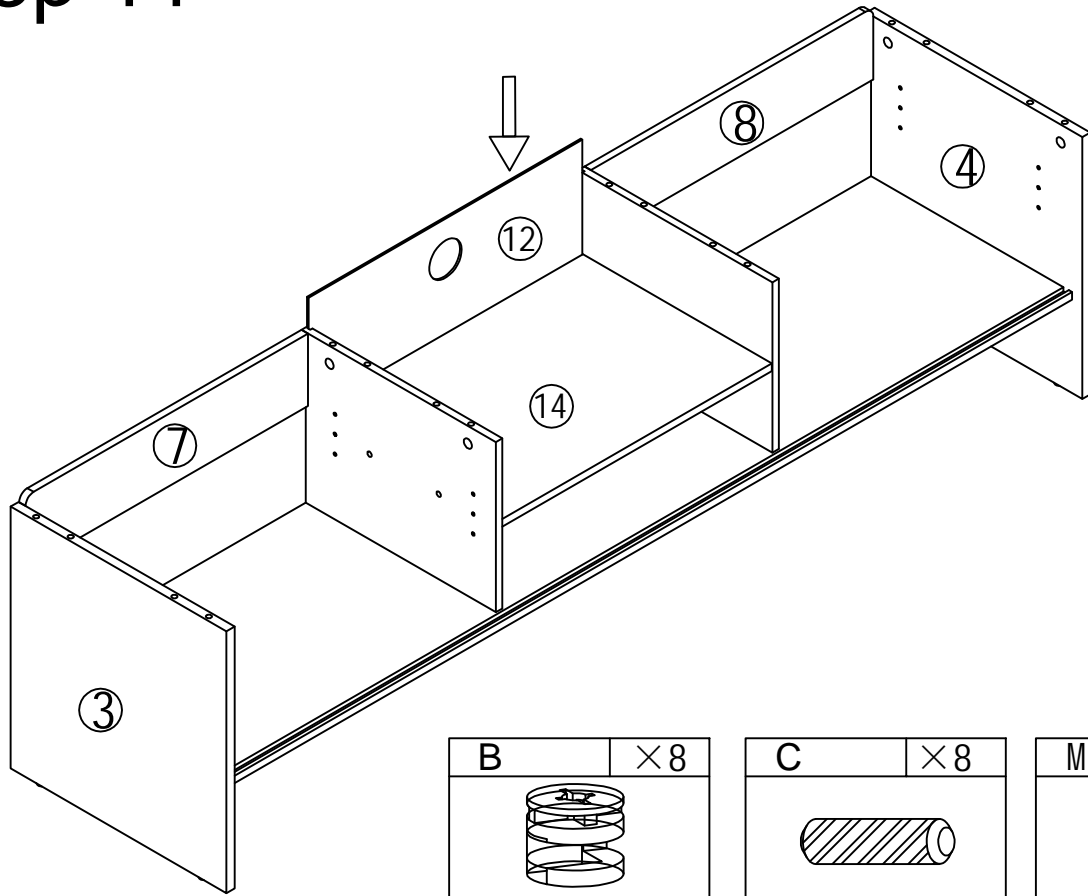
Step 9



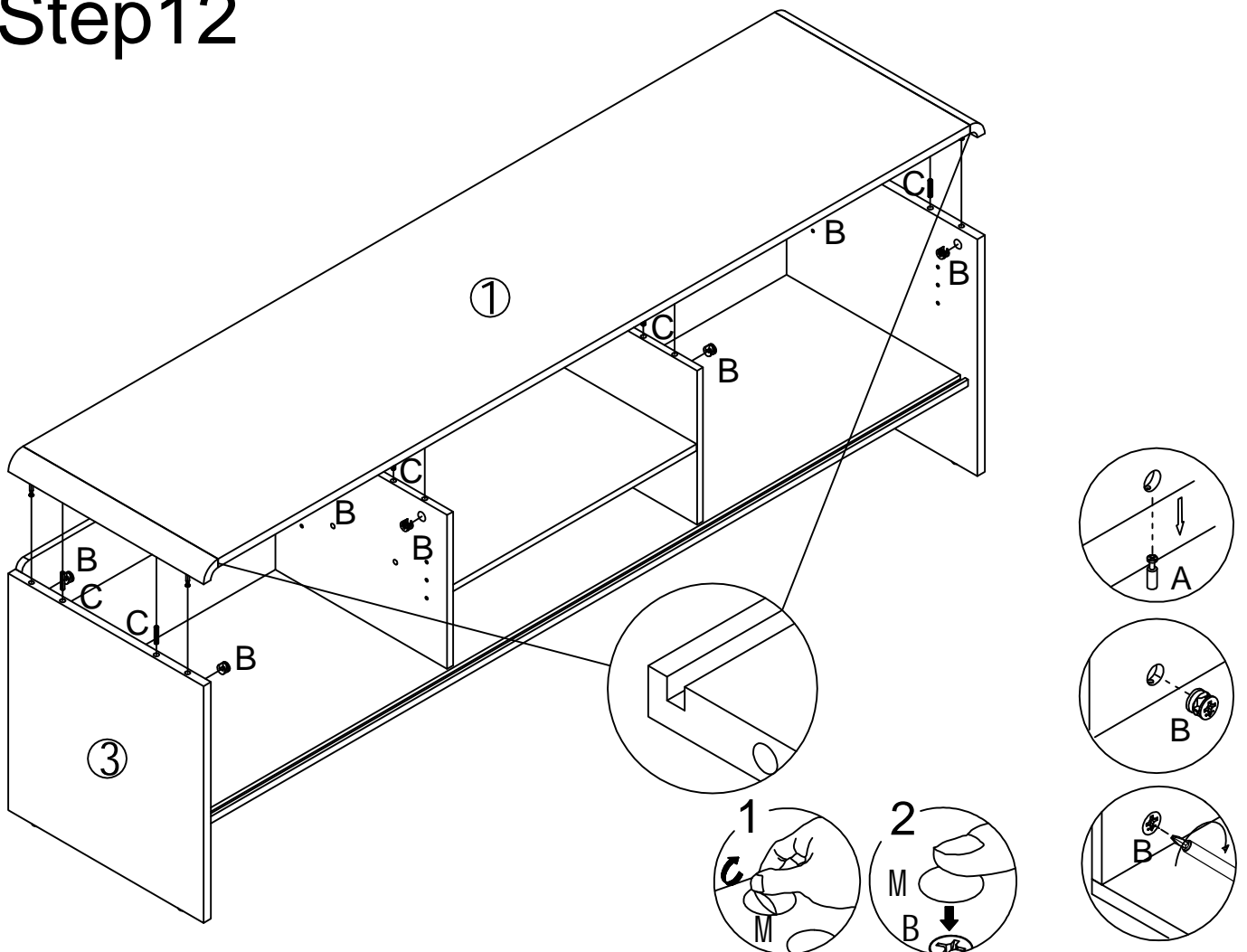
Step 10




Step 11

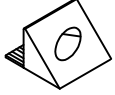


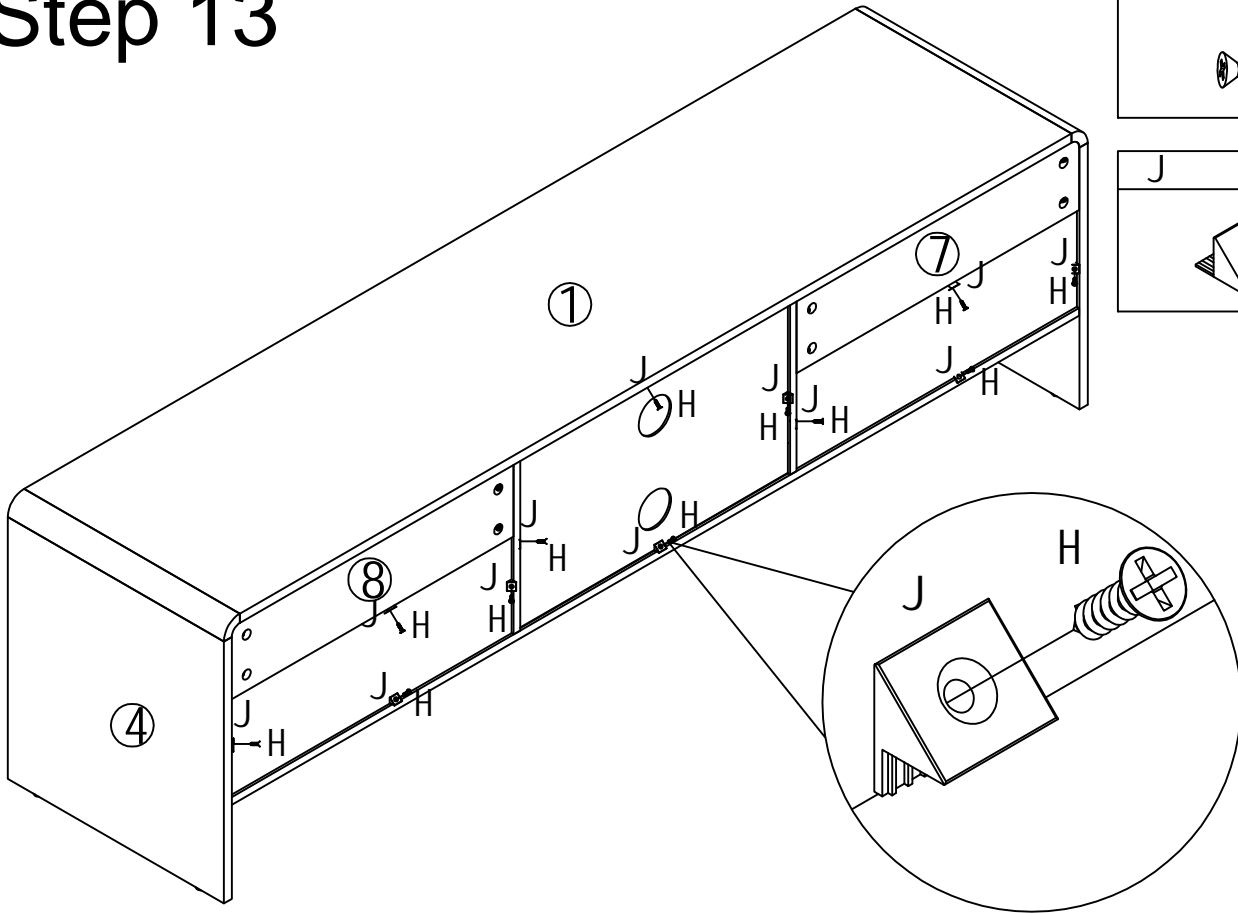
Step 12




Step 13

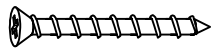
H	x 12
	

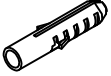
J	x 12
	

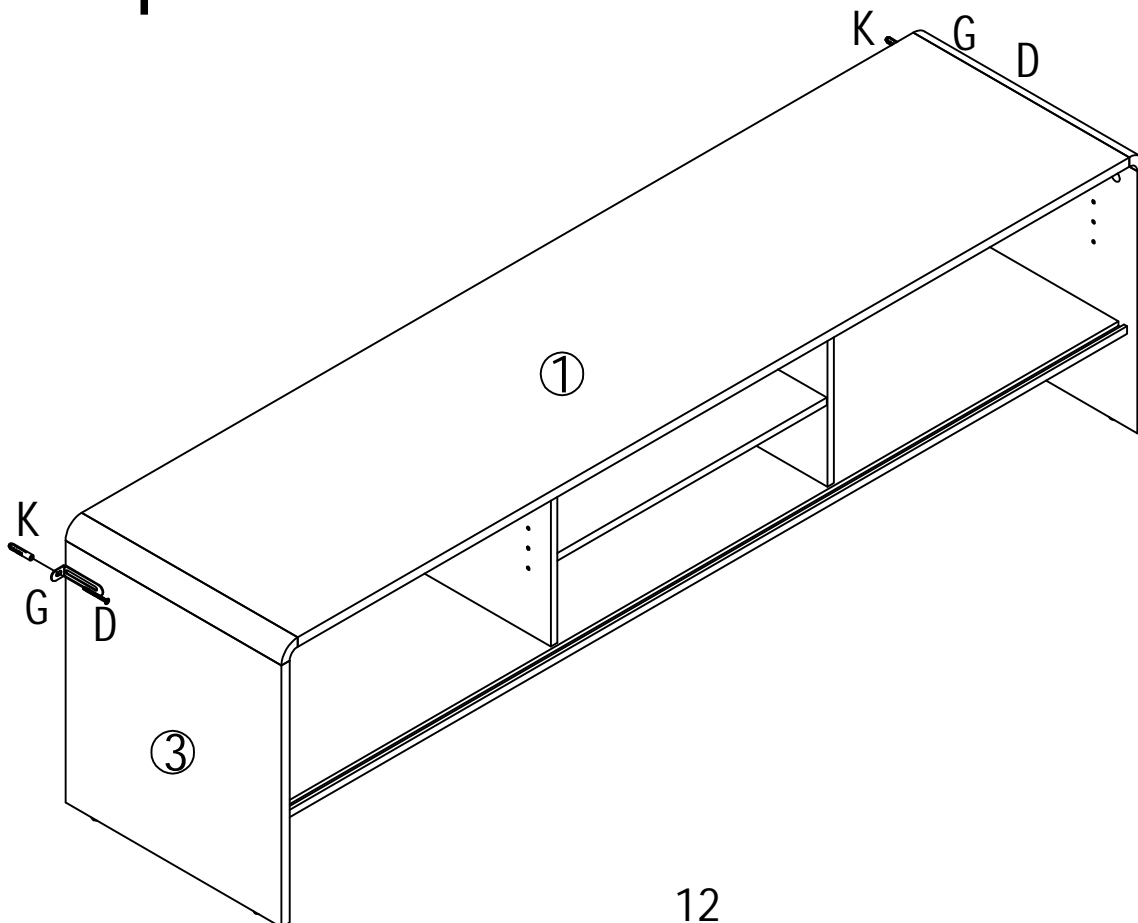


Step 14

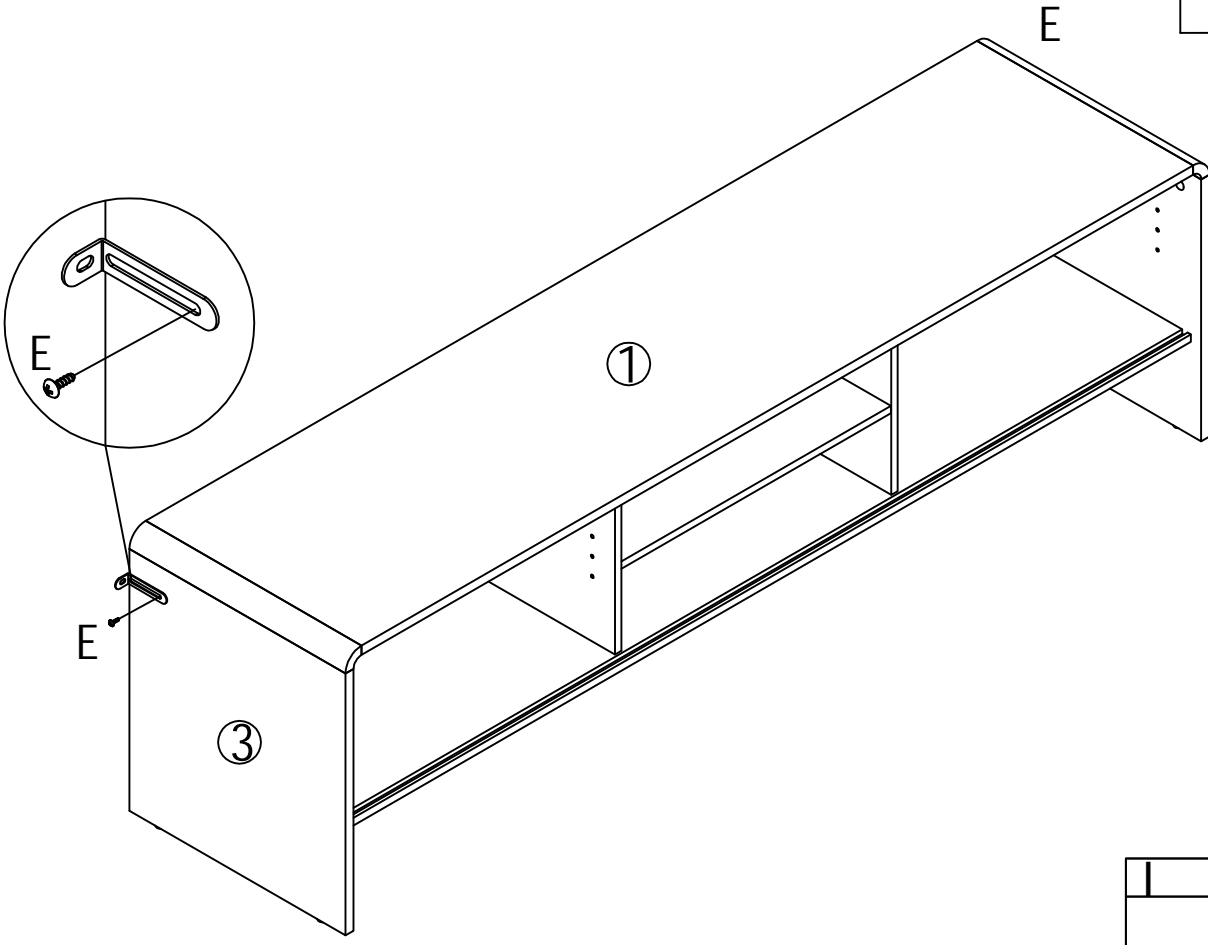
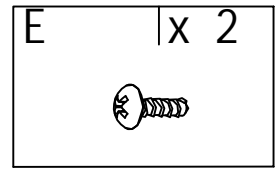
G	x 2
	

D	x 2
	

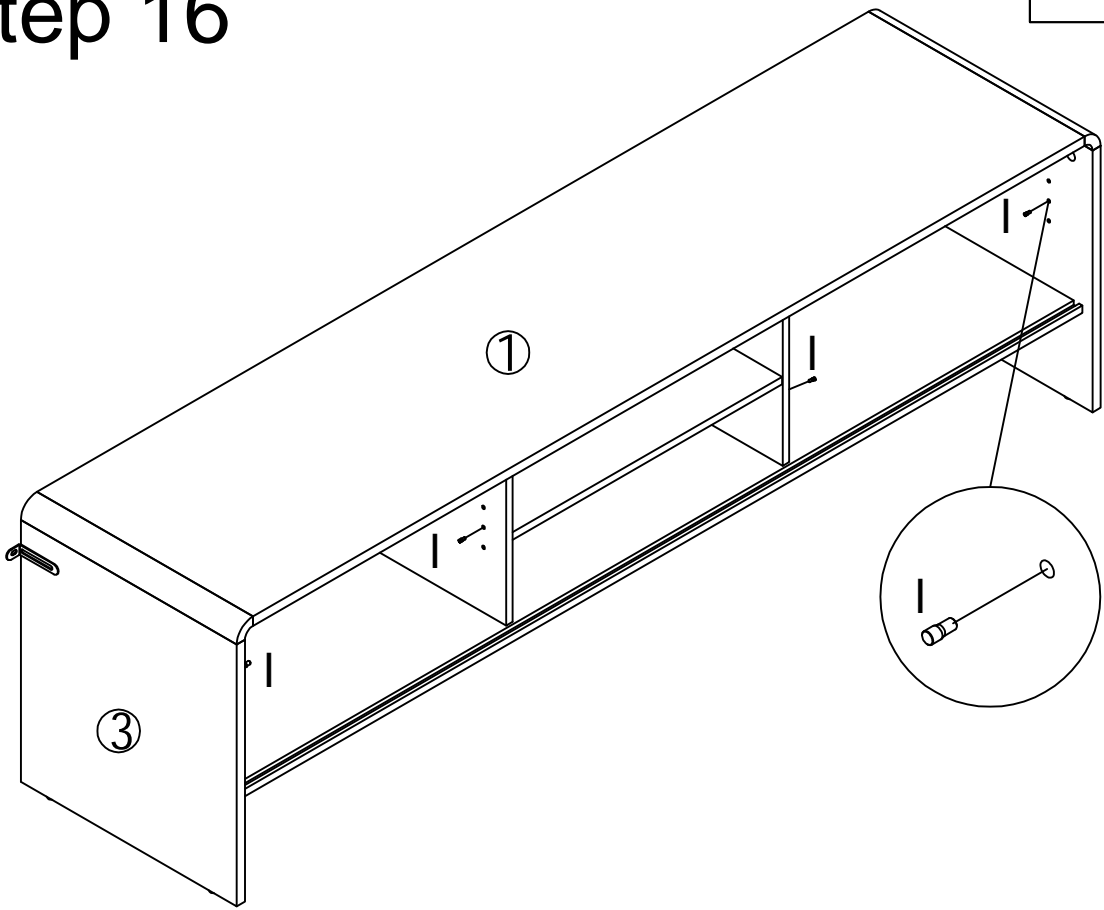
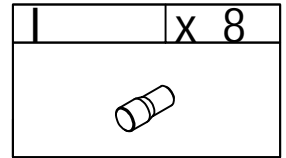
K	x 2
	



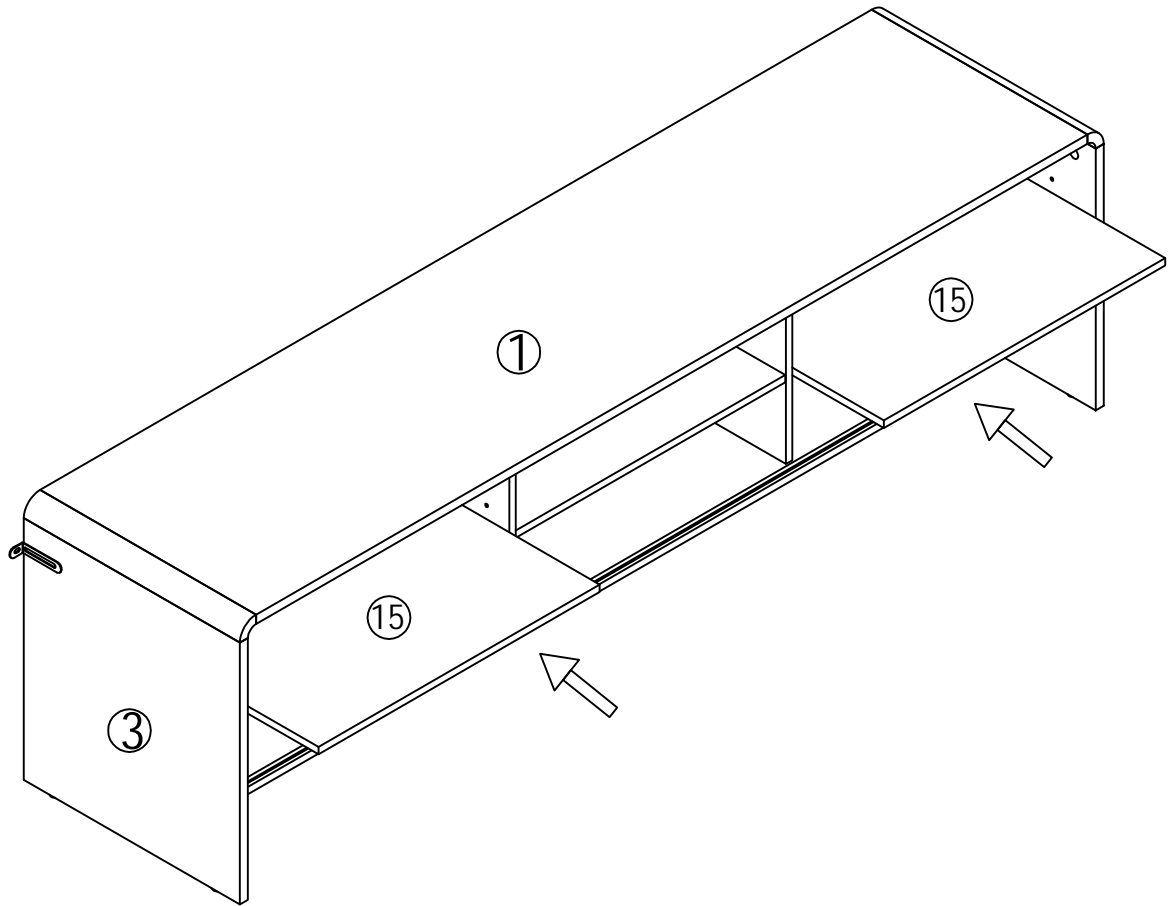
Step 15



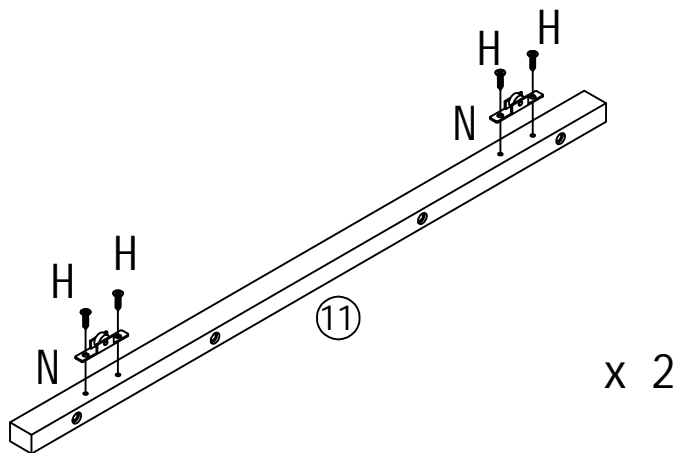
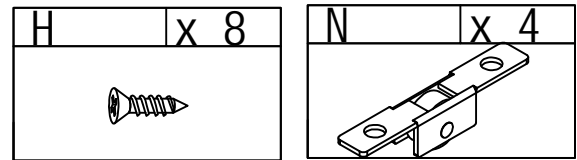
Step 16



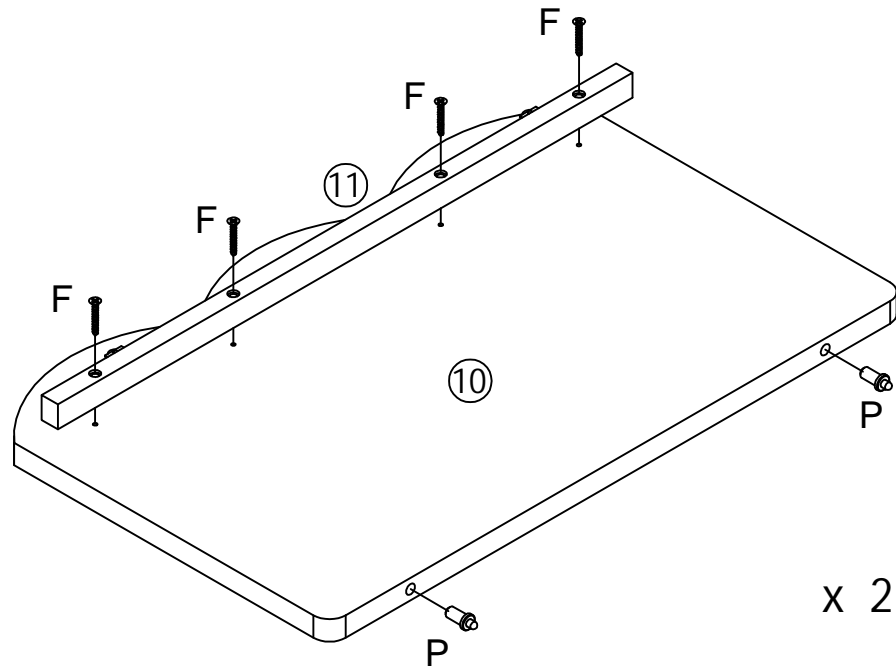
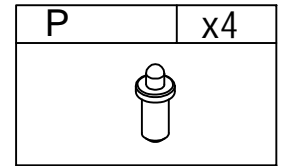
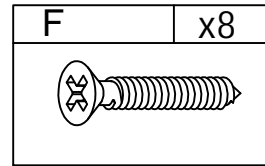
Step 17



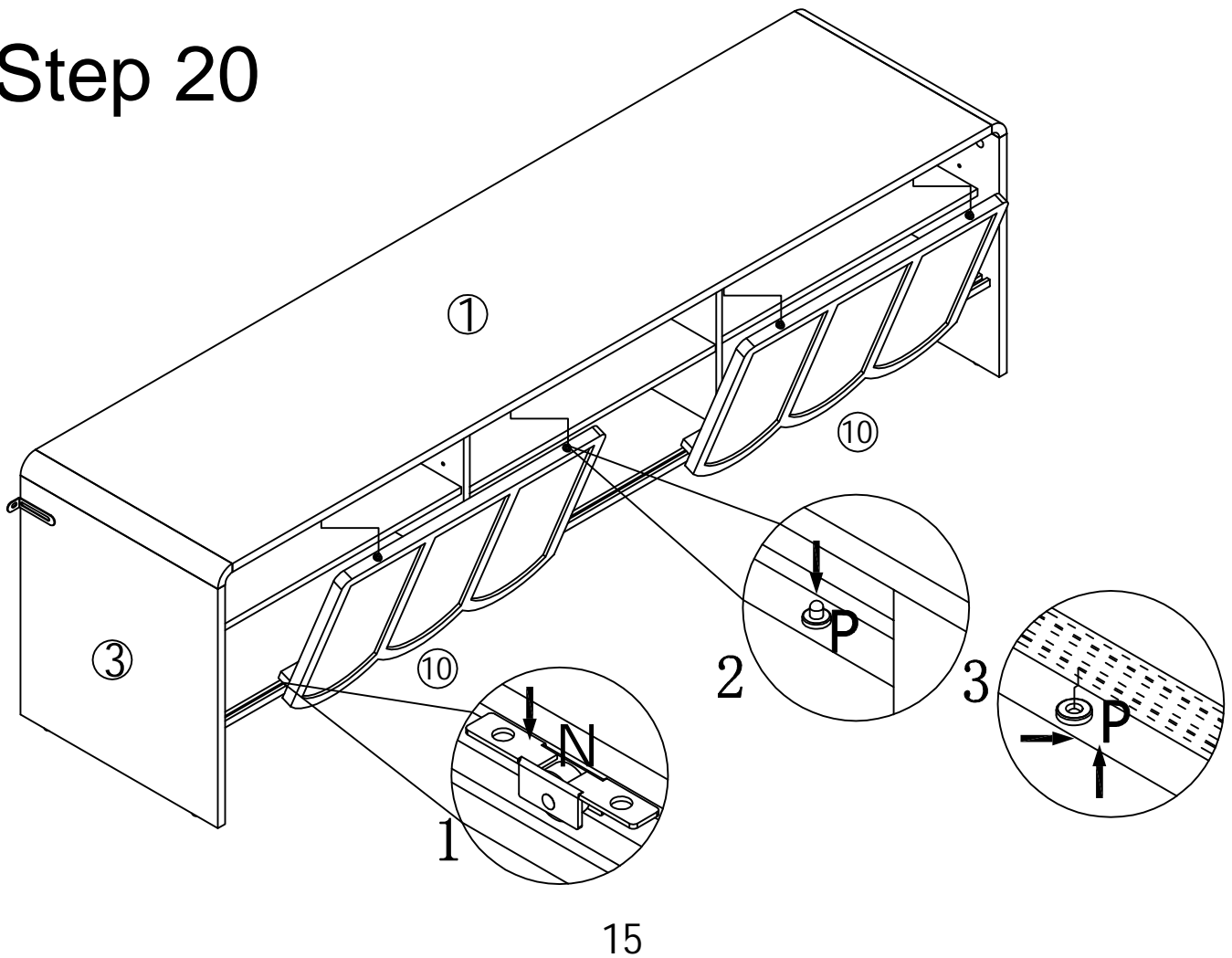
Step 18

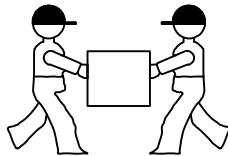
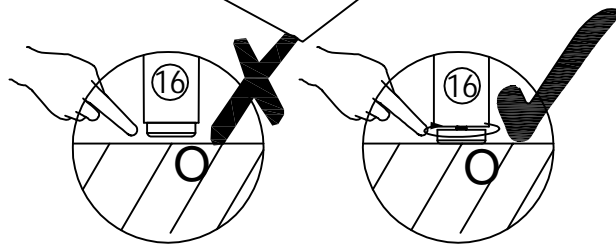
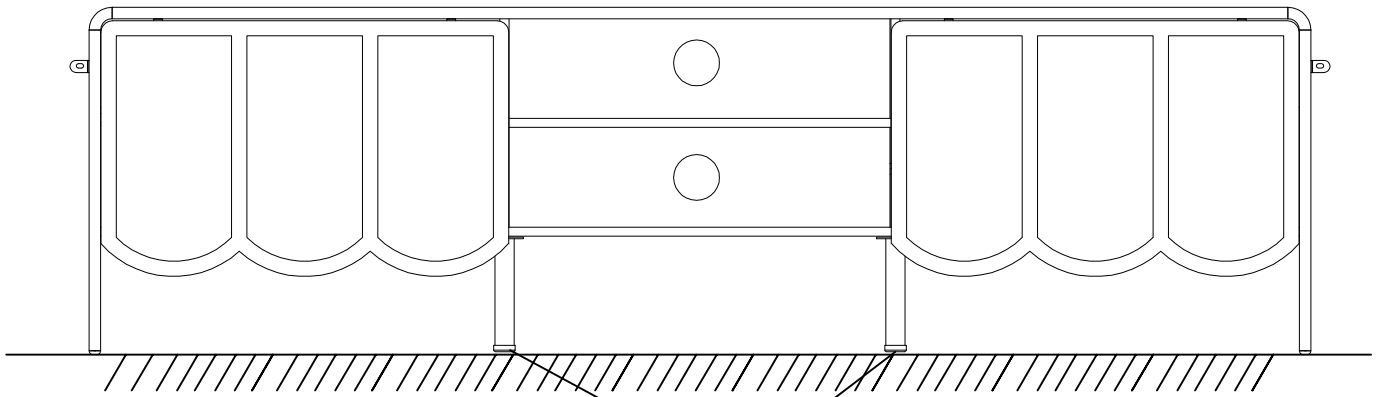


Step 19



Step 20





Two people work together to move the table.
Make sure you lift it off the ground.
Don't push and pull.