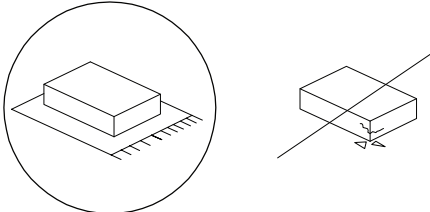


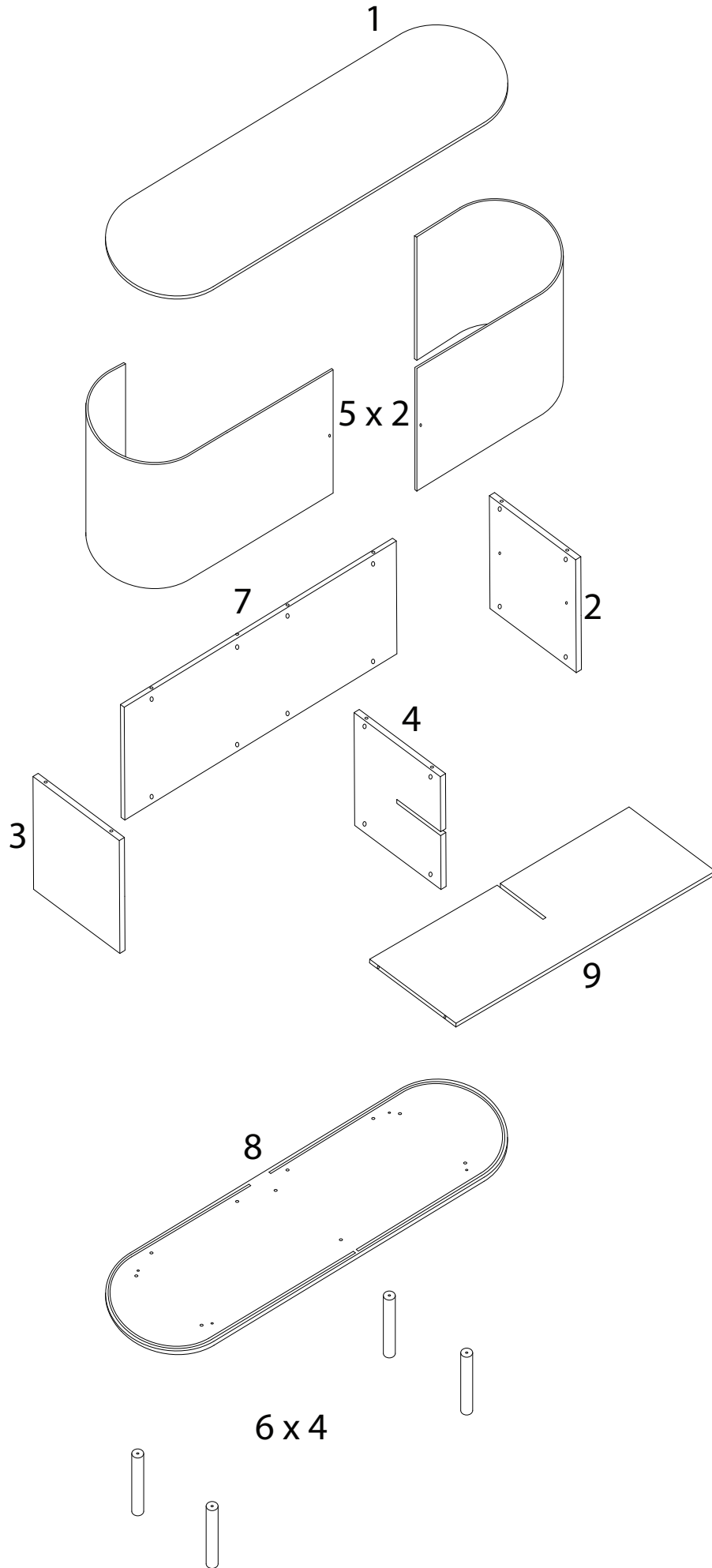
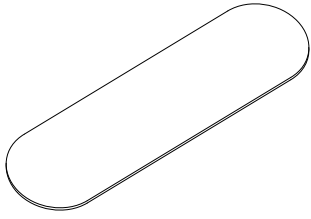

		<b>30'</b>
		
		<b>2</b>

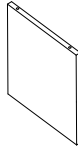


1



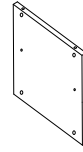
x 1

2



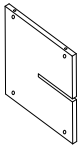
x 1

3



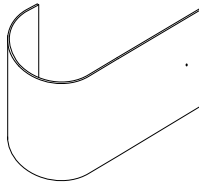
x 1

4



x 1

5



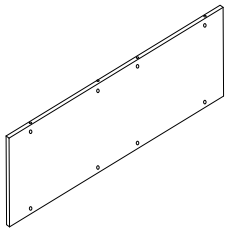
x 2

6



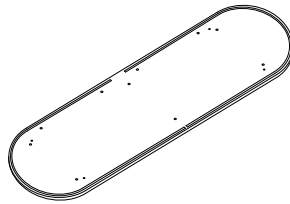
x 4

7



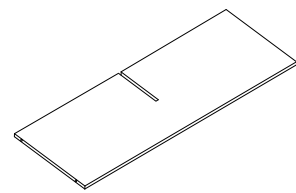
x 1

8



x 1

9



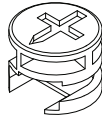
x 1

A



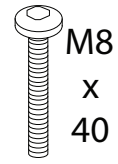
x 20

B



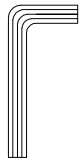
x 20

C



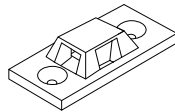
x 4

D



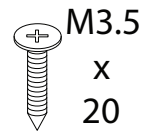
x 1

E



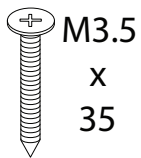
x 2

F



x 2

G



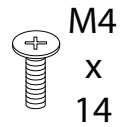
x 2

H



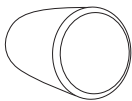
x 1

I



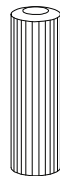
x 2

J



x 2

K



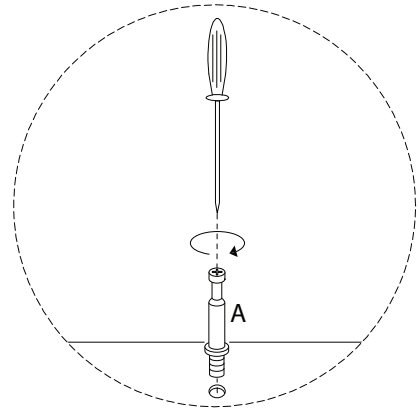
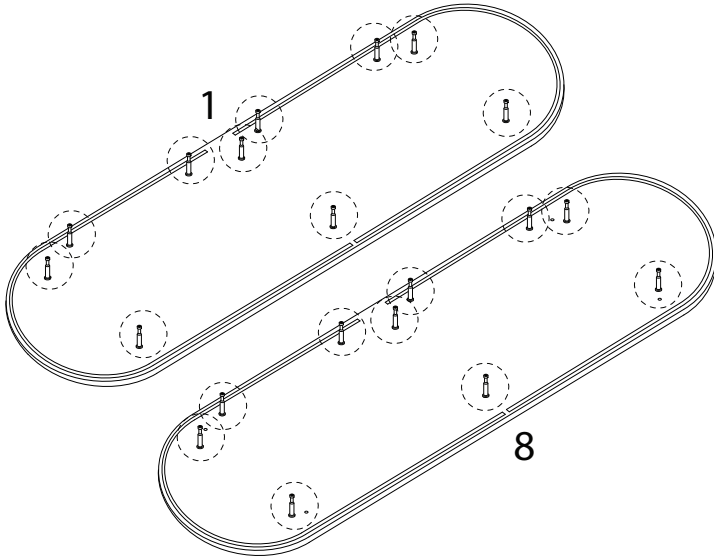
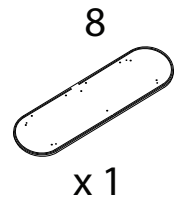
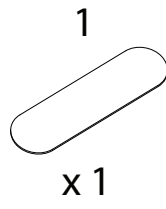
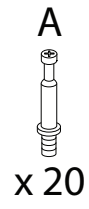
x 4

L

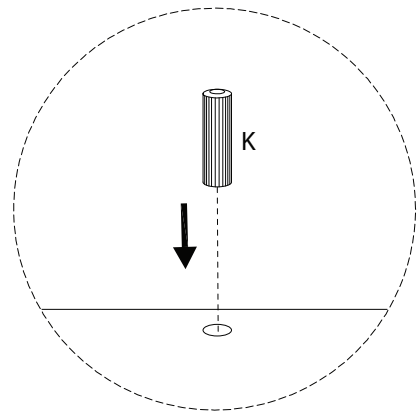
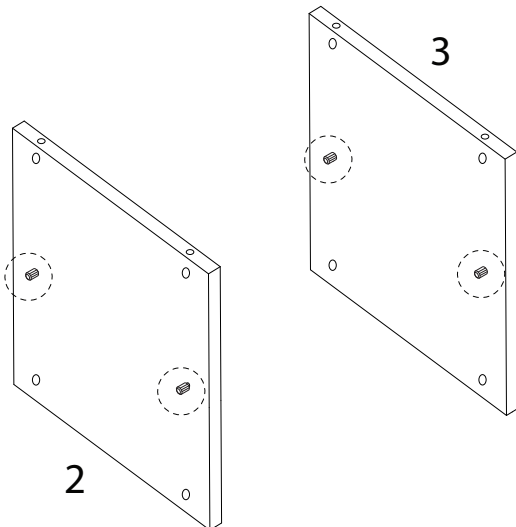
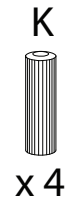
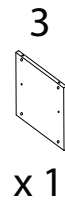


x 2

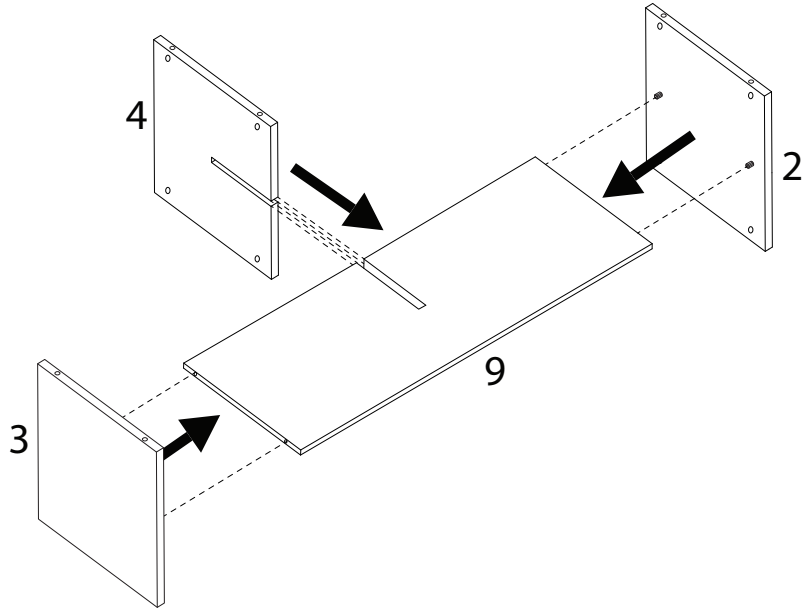
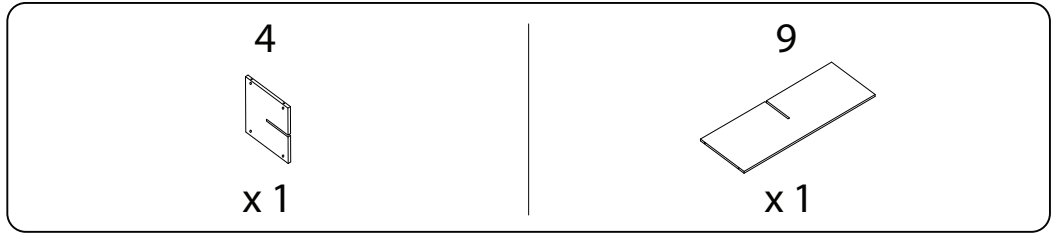
1



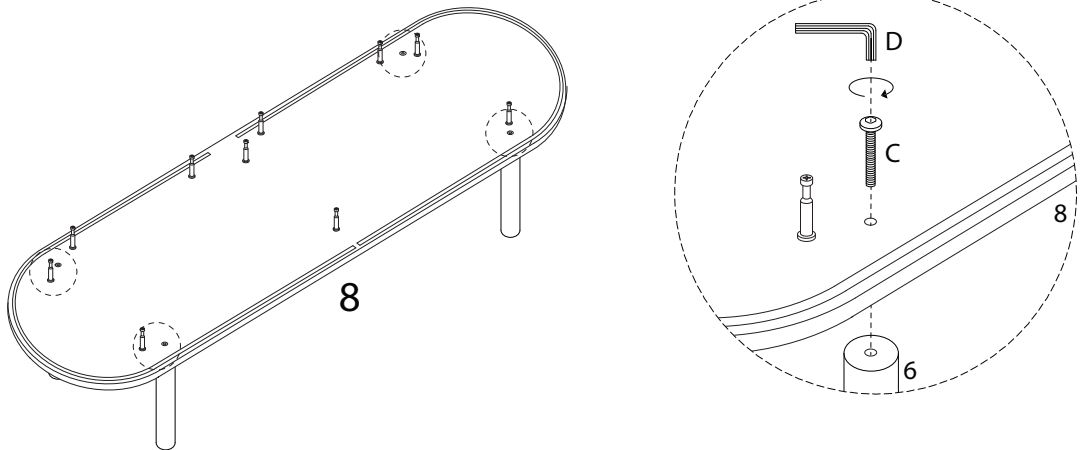
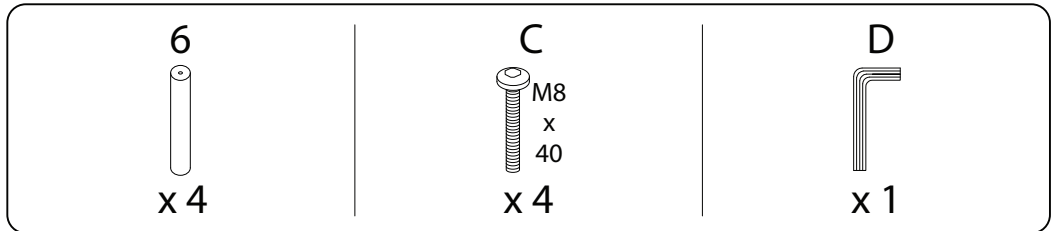
2



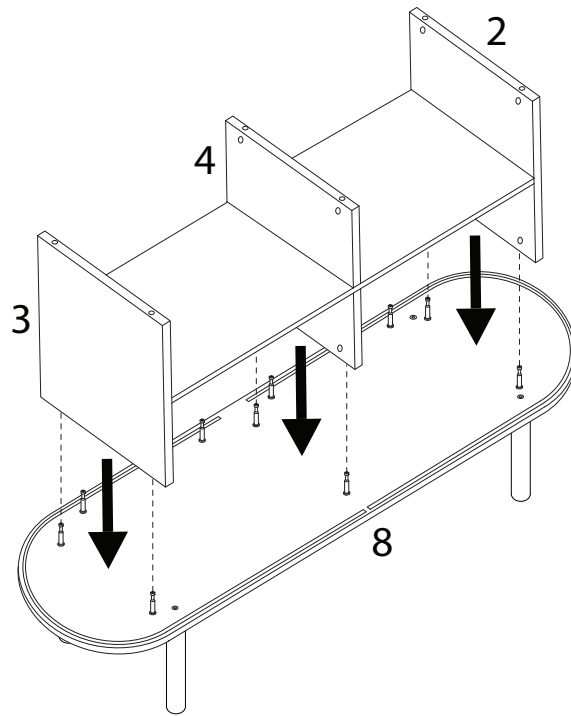
3



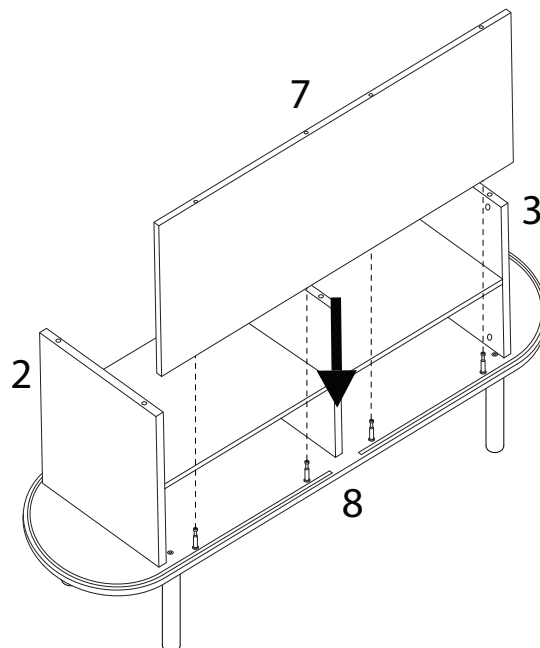
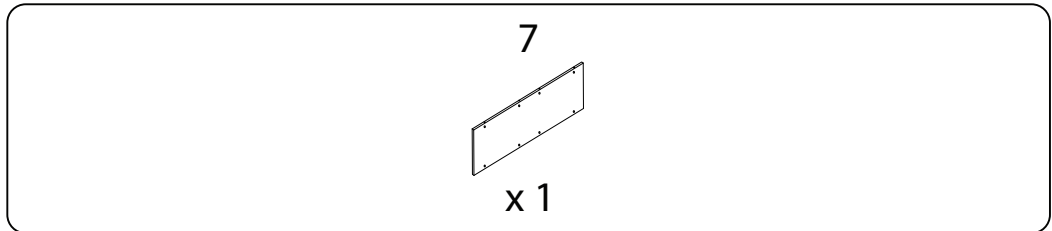
4



5



6

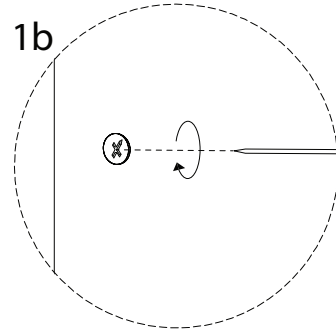
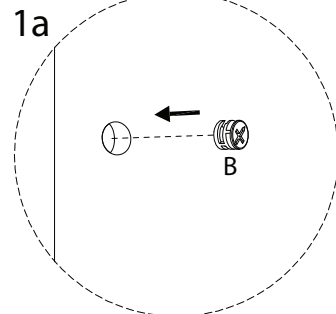
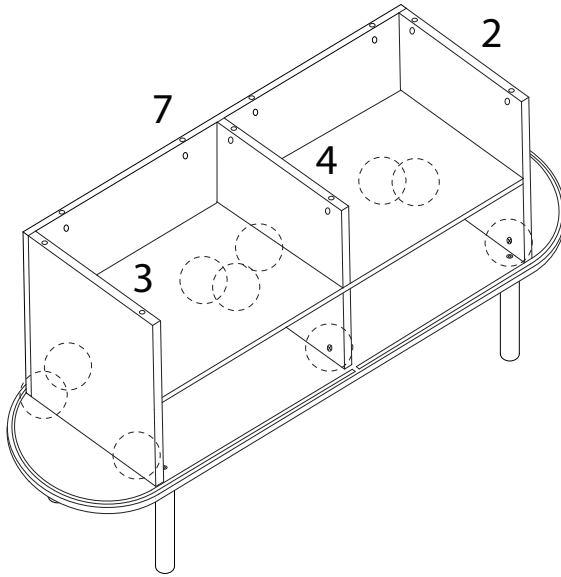


7

B

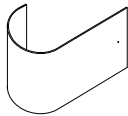


x 10



8

5



x 2

I

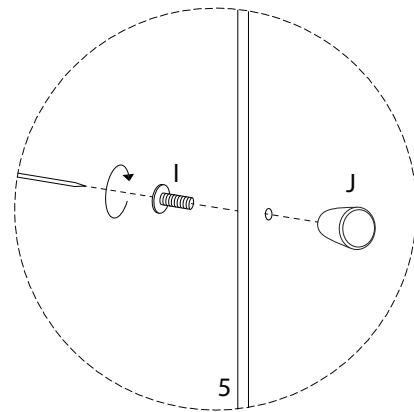
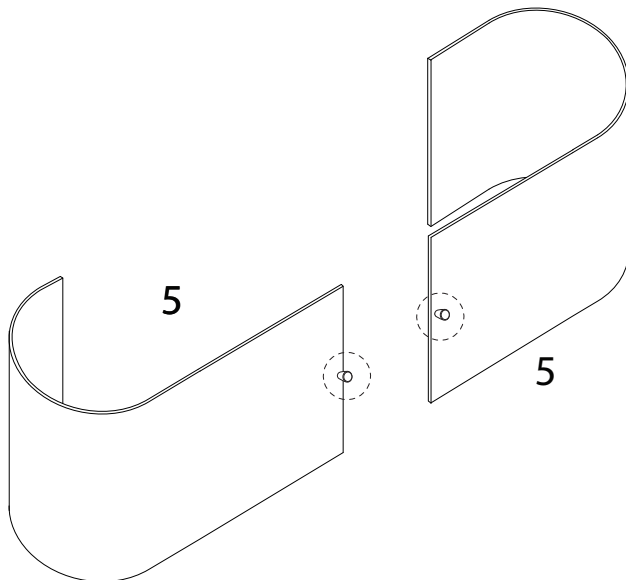


x 2

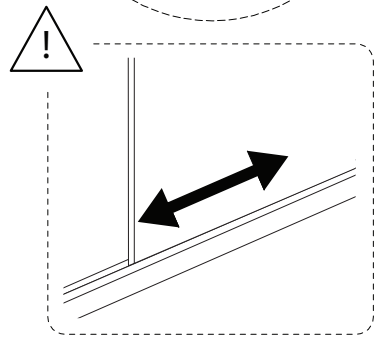
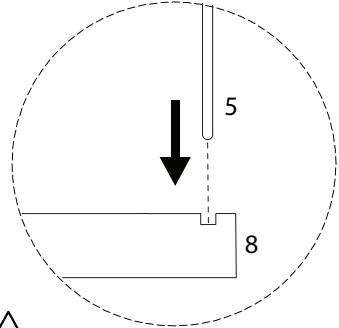
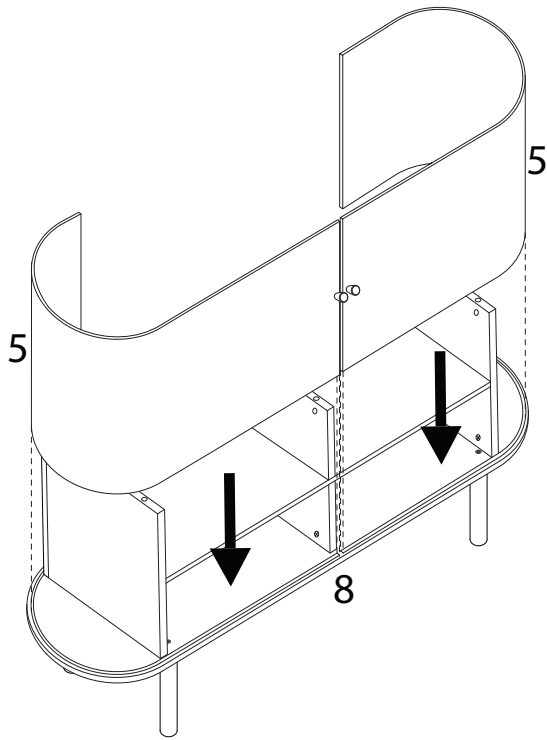
J



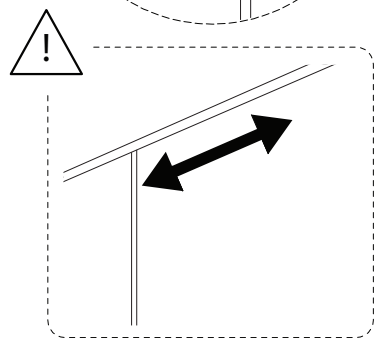
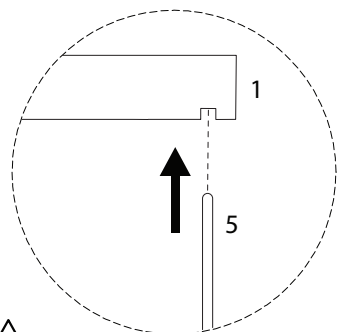
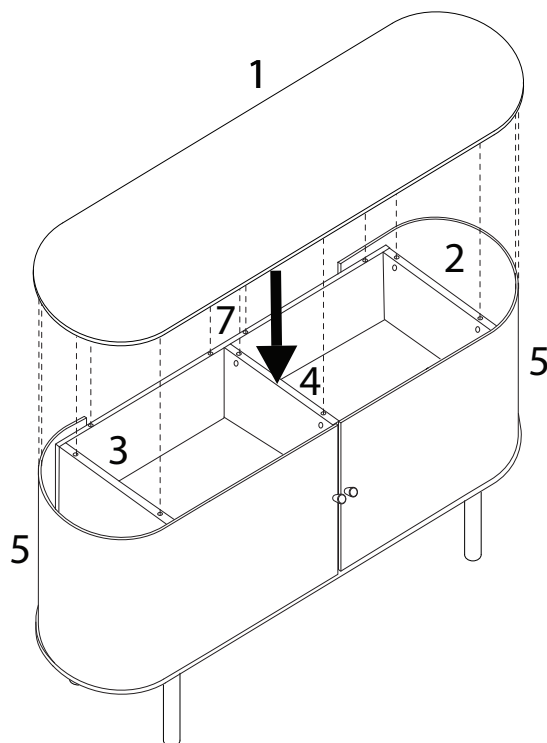
x 2



9



10

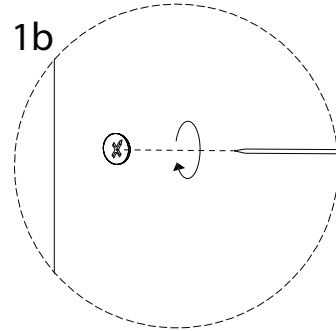
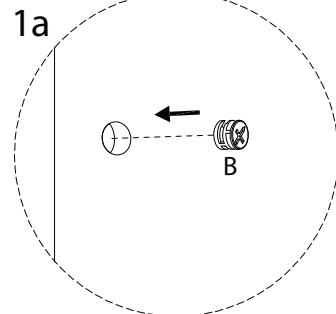
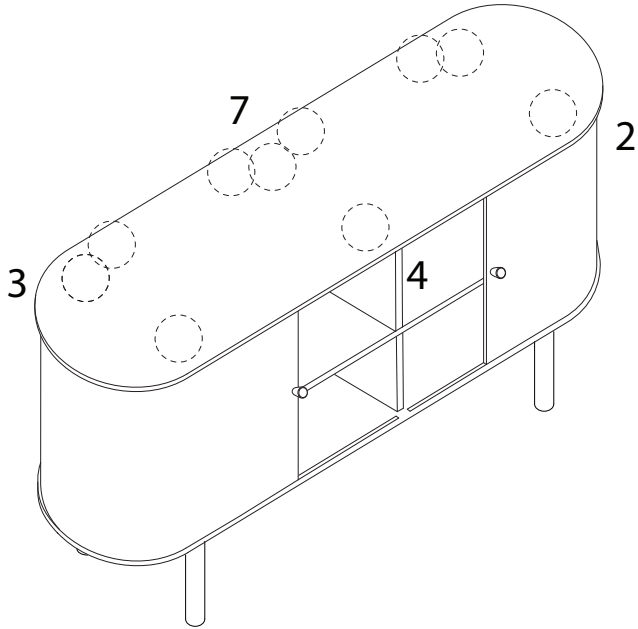


11

B

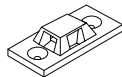


x 10



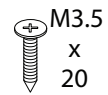
12

E

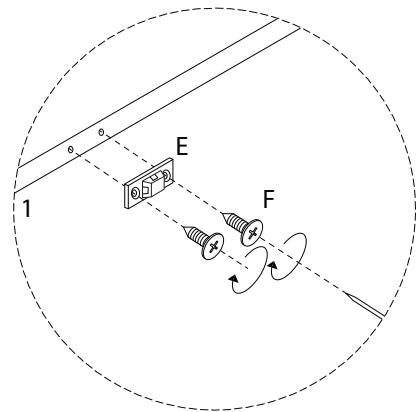
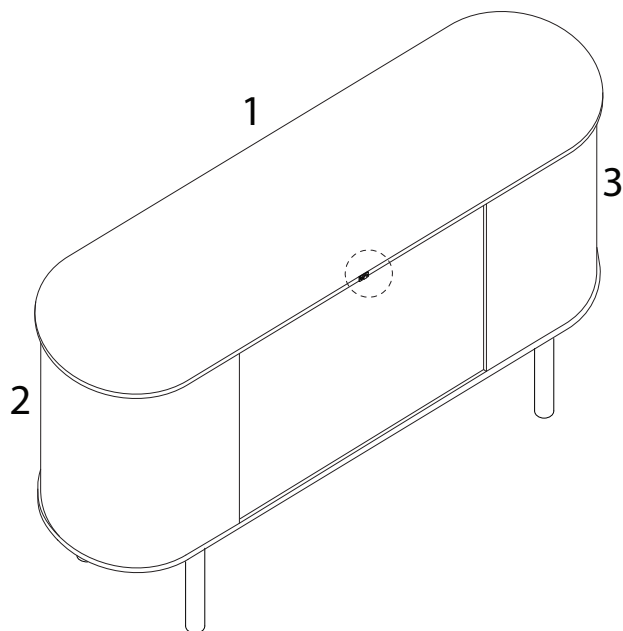


x 1

F



x 2



13

