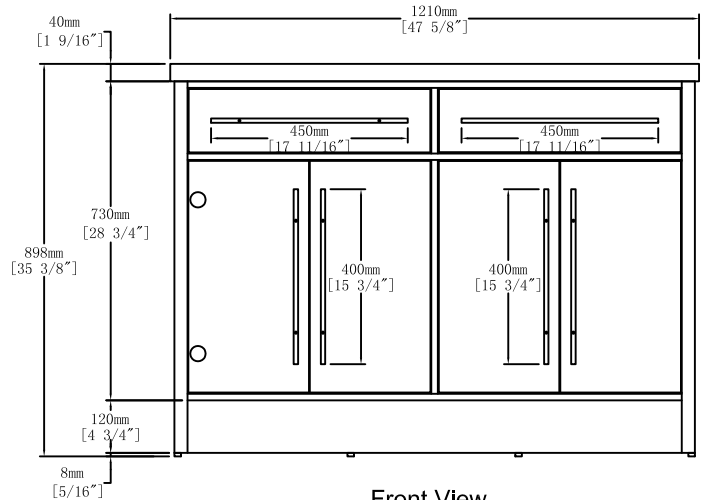
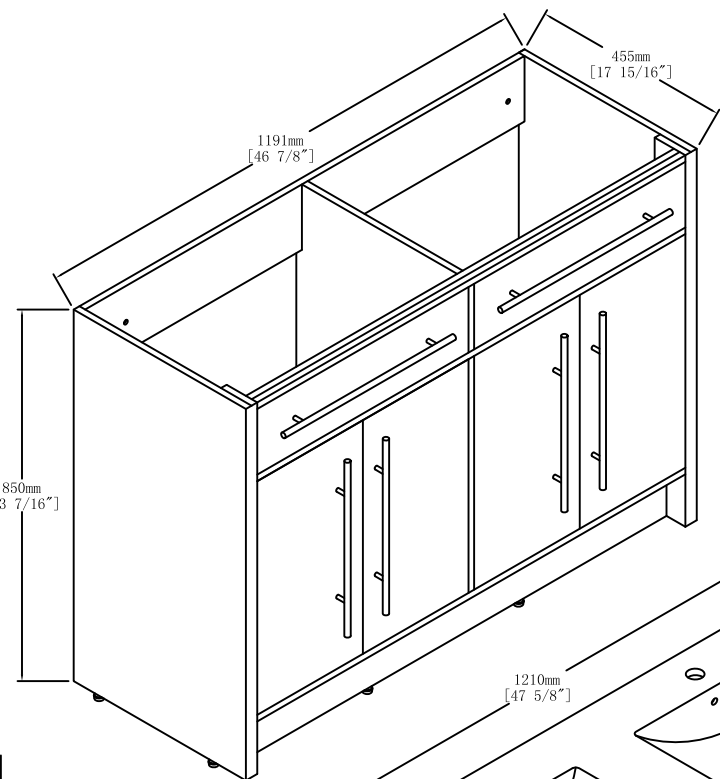
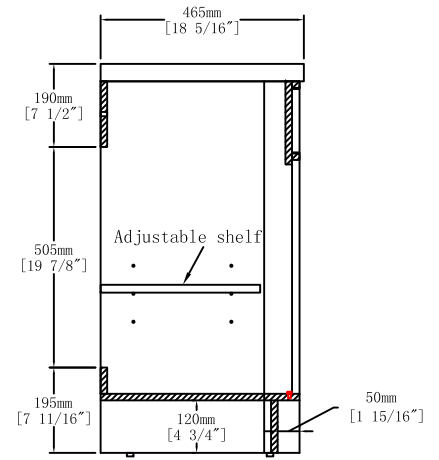


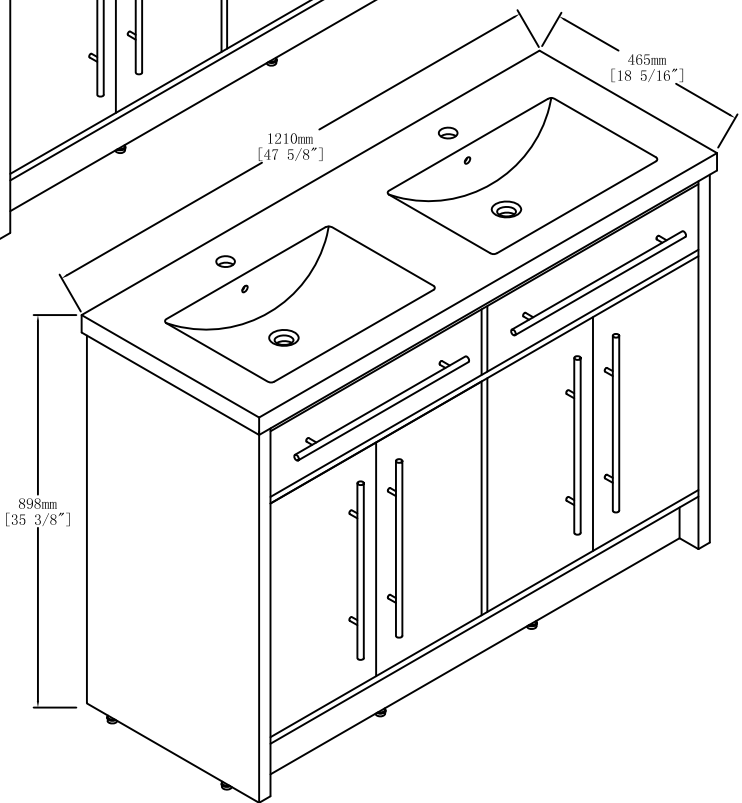
Top View




Front View



Side View



	Item NO.	LV C1548	Version	V1
	Project		Date	2024-4-23