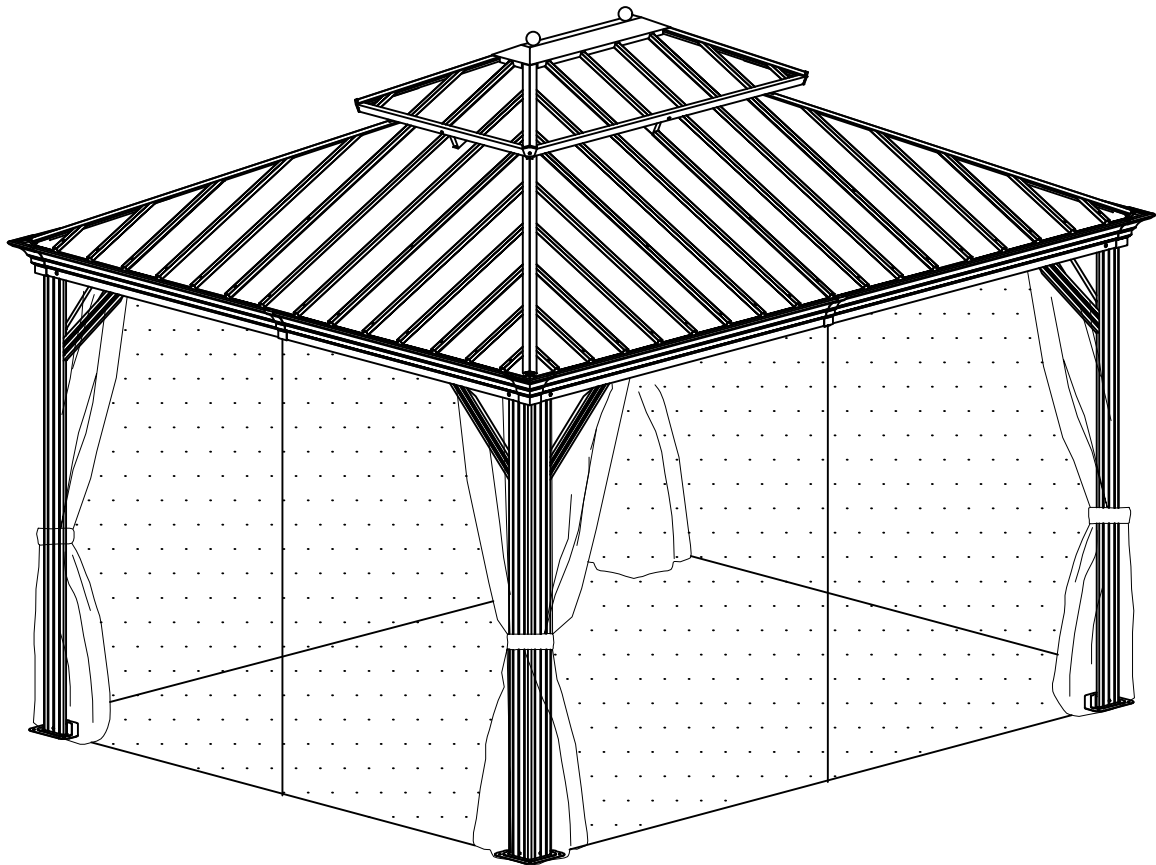


10 x 12FT

▯ ▯ ▯ ▯ ▯ ▯ ▯ ▯ XWG-213TN-3 ▯ ▯ ▯ ▯ ▯ ▯ ▯ ▯





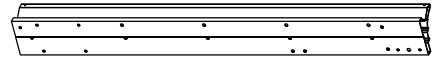
(A) 4x



(B1) 2x



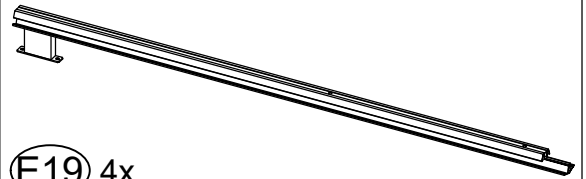
(B2) 2x



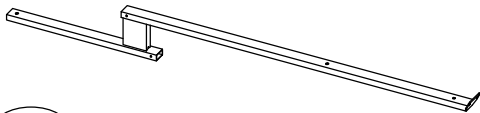
(B9) 2x



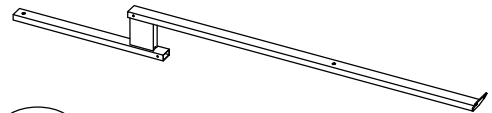
(B10) 2x



(E19) 4x



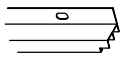
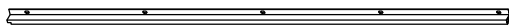
(E10) 2x



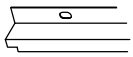
(E11) 2x



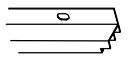
(C1) 2x



(C2) 2x



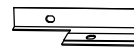
(C9) 2x



(C10) 2x



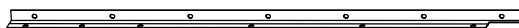
(D1) 2x



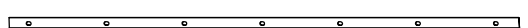
(D2) 2x



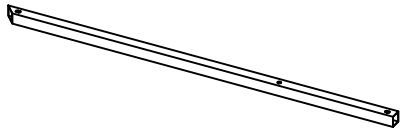
(D9) 2x



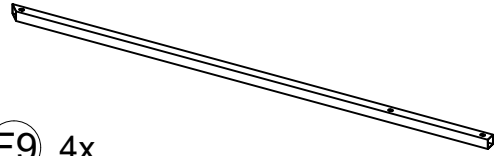
(D10) 2x



F7 4x



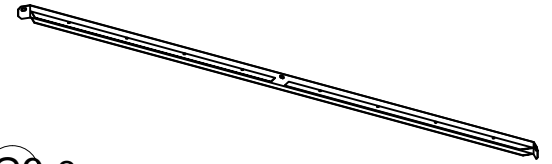
F9 4x



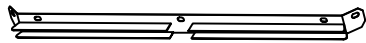
G1 2x



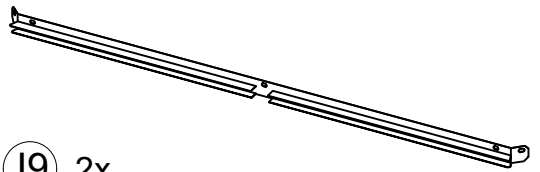
G9 2x



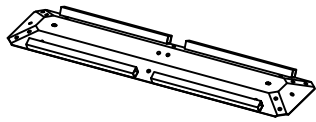
I1 2x



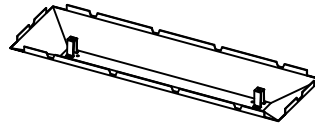
I9 2x



L6 1x



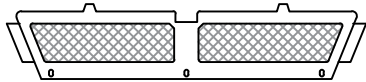
M2b 1x



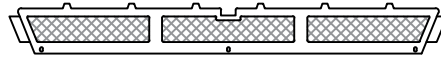
E5 4x



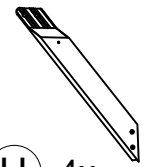
V1 2x



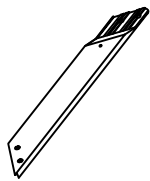
V6 2x



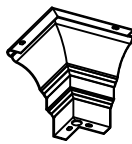
H 4x



H1 4x



K 4x



K1 4x



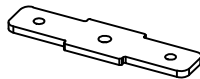
J 4x



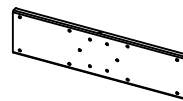
W 4x



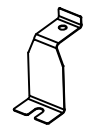
W1 4x



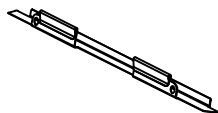
P 4x



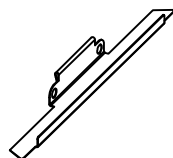
V 4x



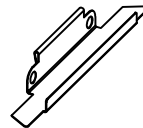
Z 48x



Z1 16x

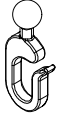
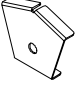


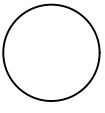
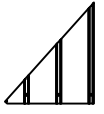
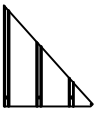
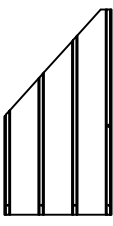
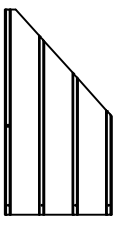
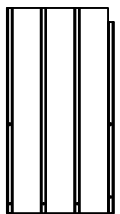
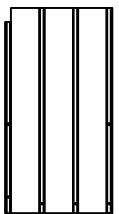
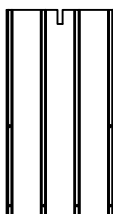
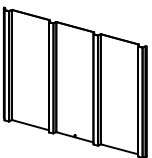
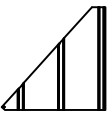
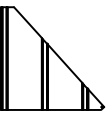

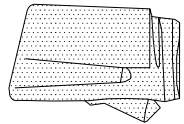

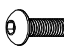
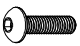



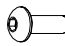
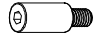

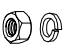
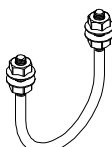


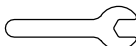



Z2 8x

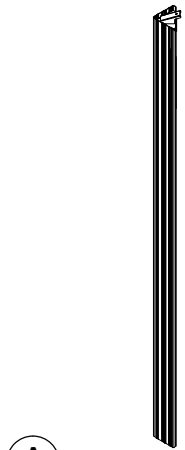


Y 72x



 U 104x	 N 8x	 W3 8x	 W4 8x	 Za 2x
 R1 4x	 R2 4x	 Q3 4x	 Q4 4x	
 Q5 2x	 Q6 2x	 Q7 2x	 S3 2x	
 S1 4x	 S2 4x	 T 4x	 T1 4x	
 M6x15 1 242x	 M6x23 2 60x	 M6x25 3 2x	 ST 4.8x12 4 24x	
 5 2x	 M6x42 6 2x	 M6x47 7 8x	 8 16x	
 M6x10 9 8x	 10 12x	 11 1x	 12 2x 4mm	
 13 1x 6mm	 14 1x	 M5x15 15 40x		

<1>

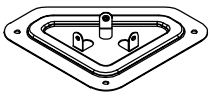


A 4x



M6x15

1 12x



J 4x



W3 8x

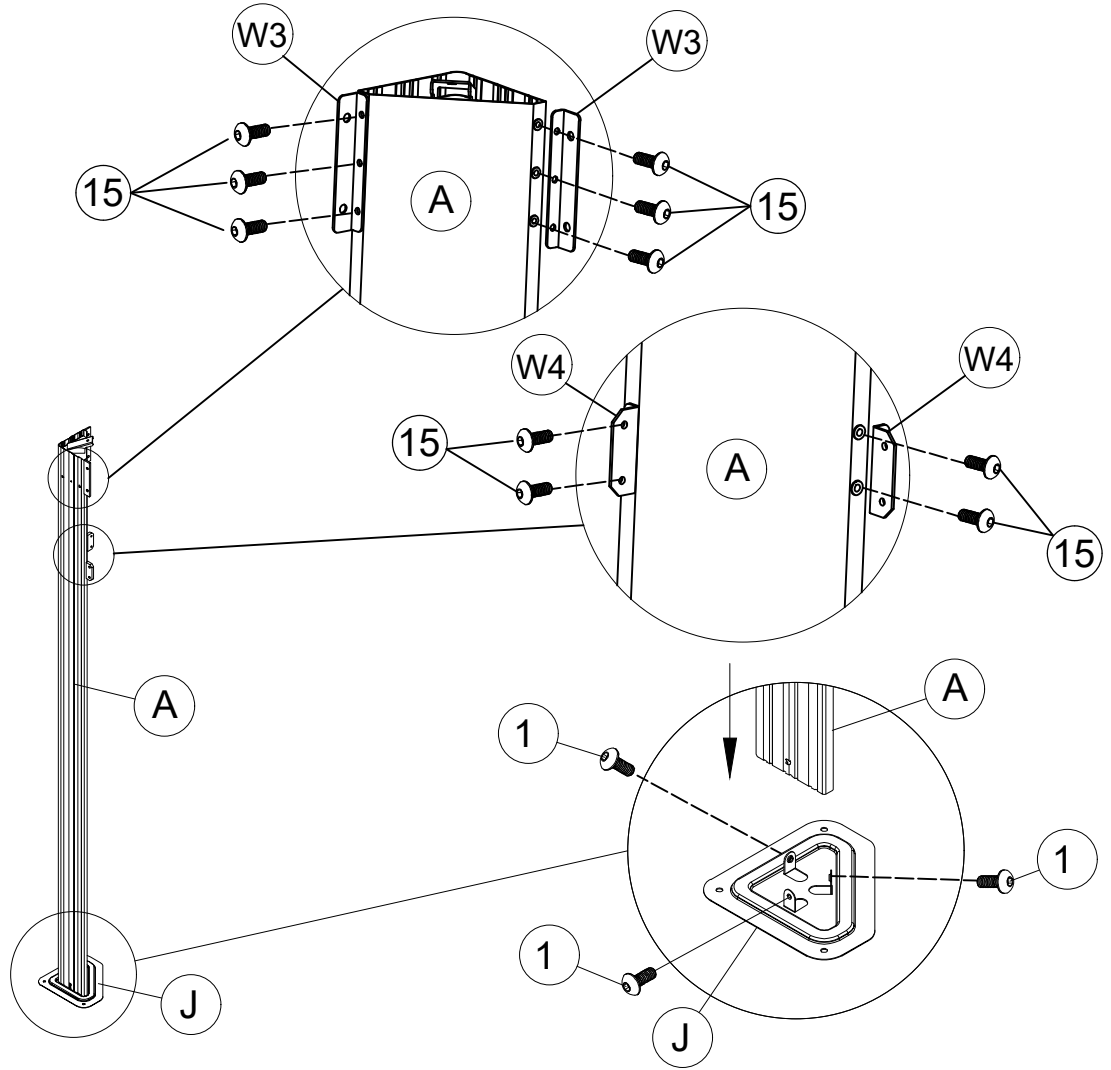


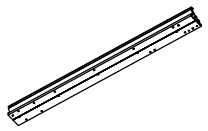
W4 8x



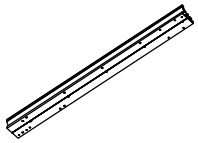
M5x15

15 40x





B1 2x



B2 2x



C1 2x



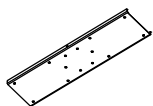
C2 2x



D1 2x



D2 2x



P 2x

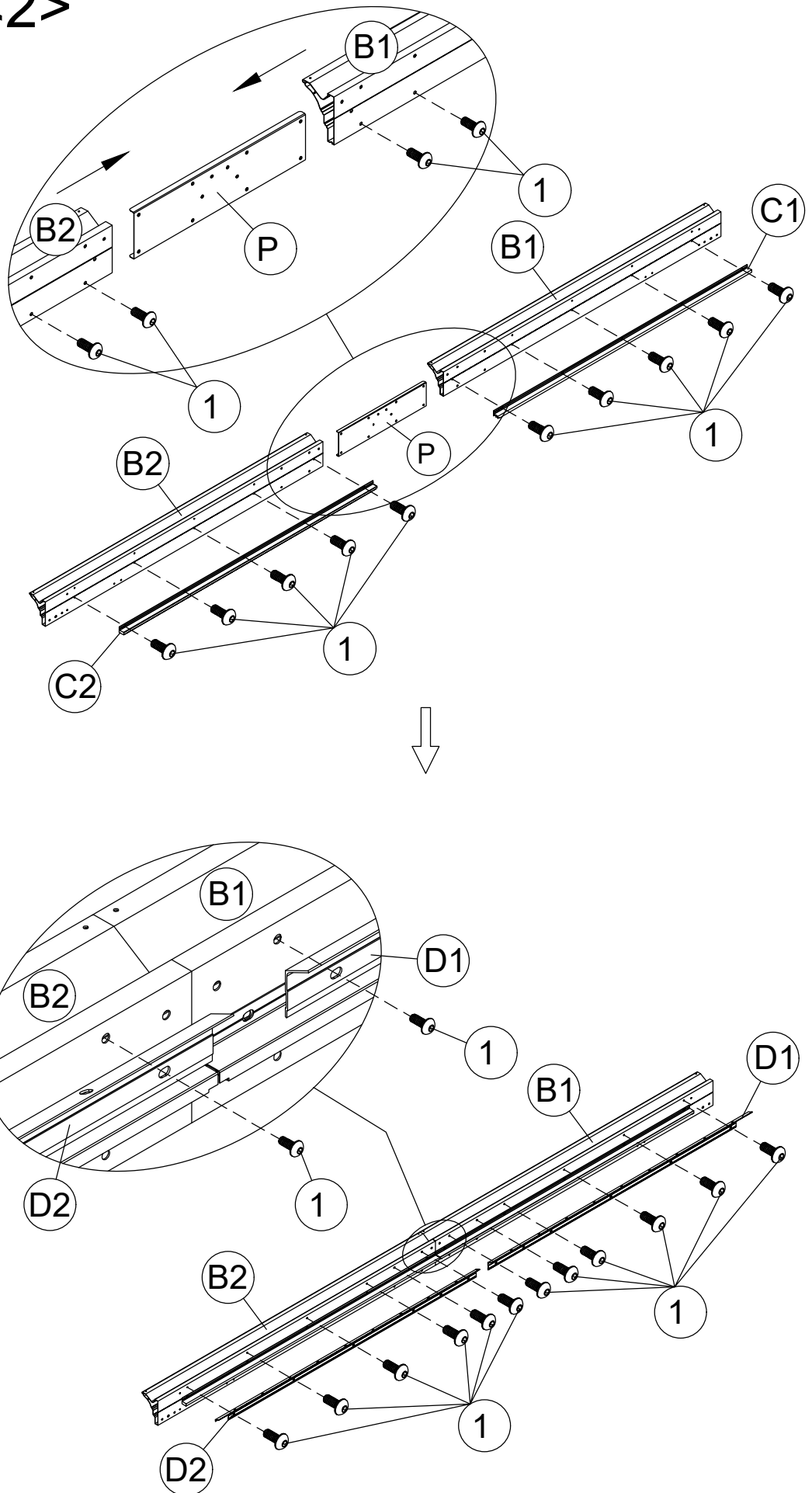


M6x15

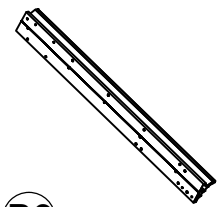
1 52x

6

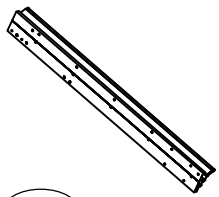
<2>



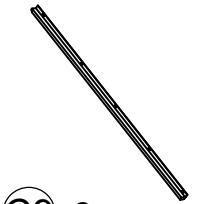
<3>



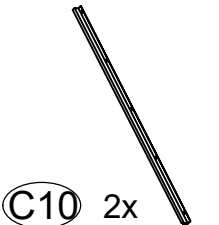
B9 2x



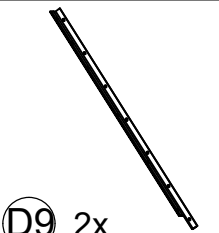
B10 2x



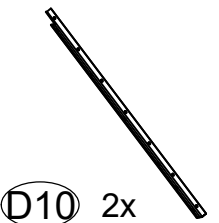
C9 2x



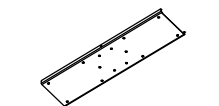
C10 2x



D9 2x



D10 2x



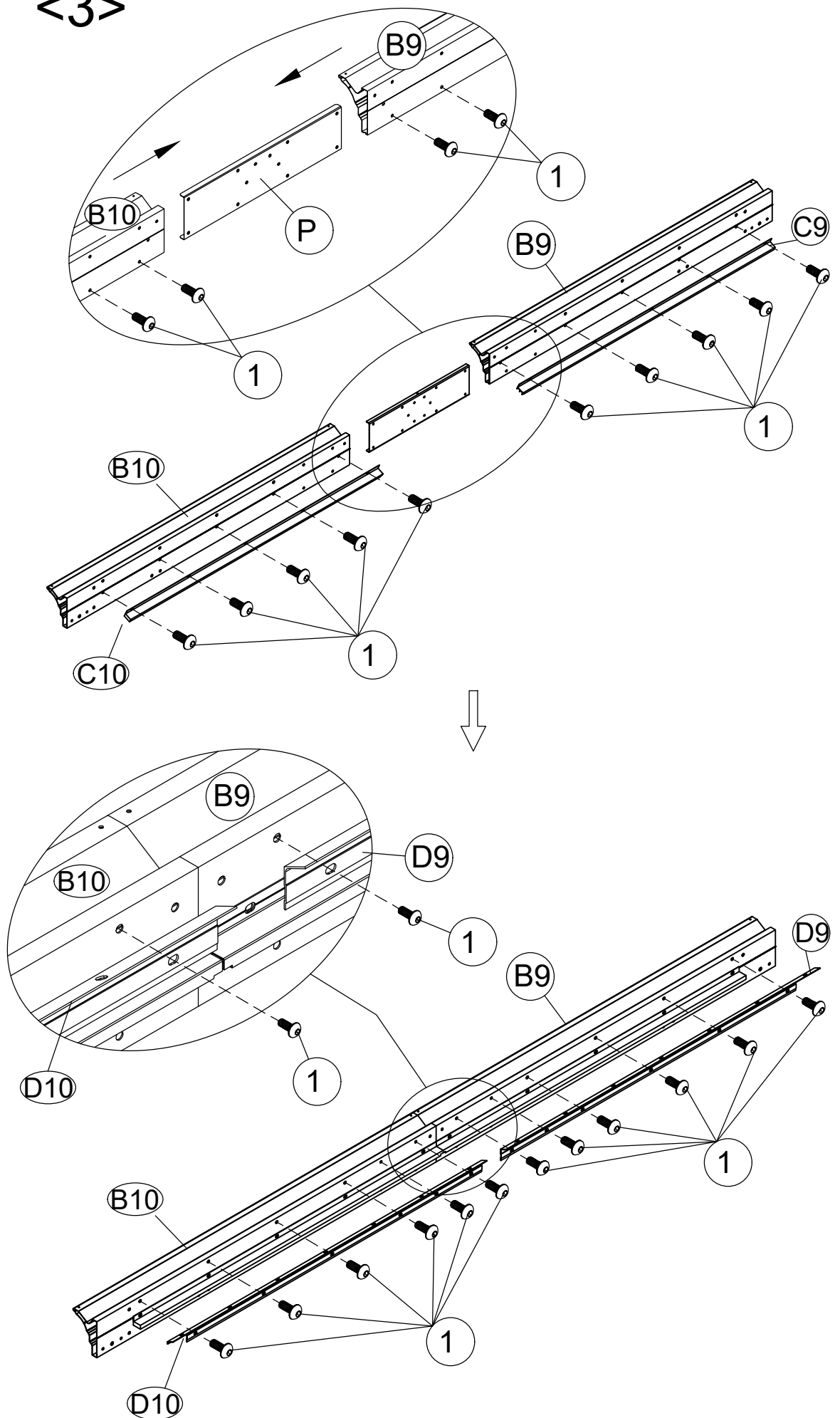
P 2x



M6x15

1 52x

7





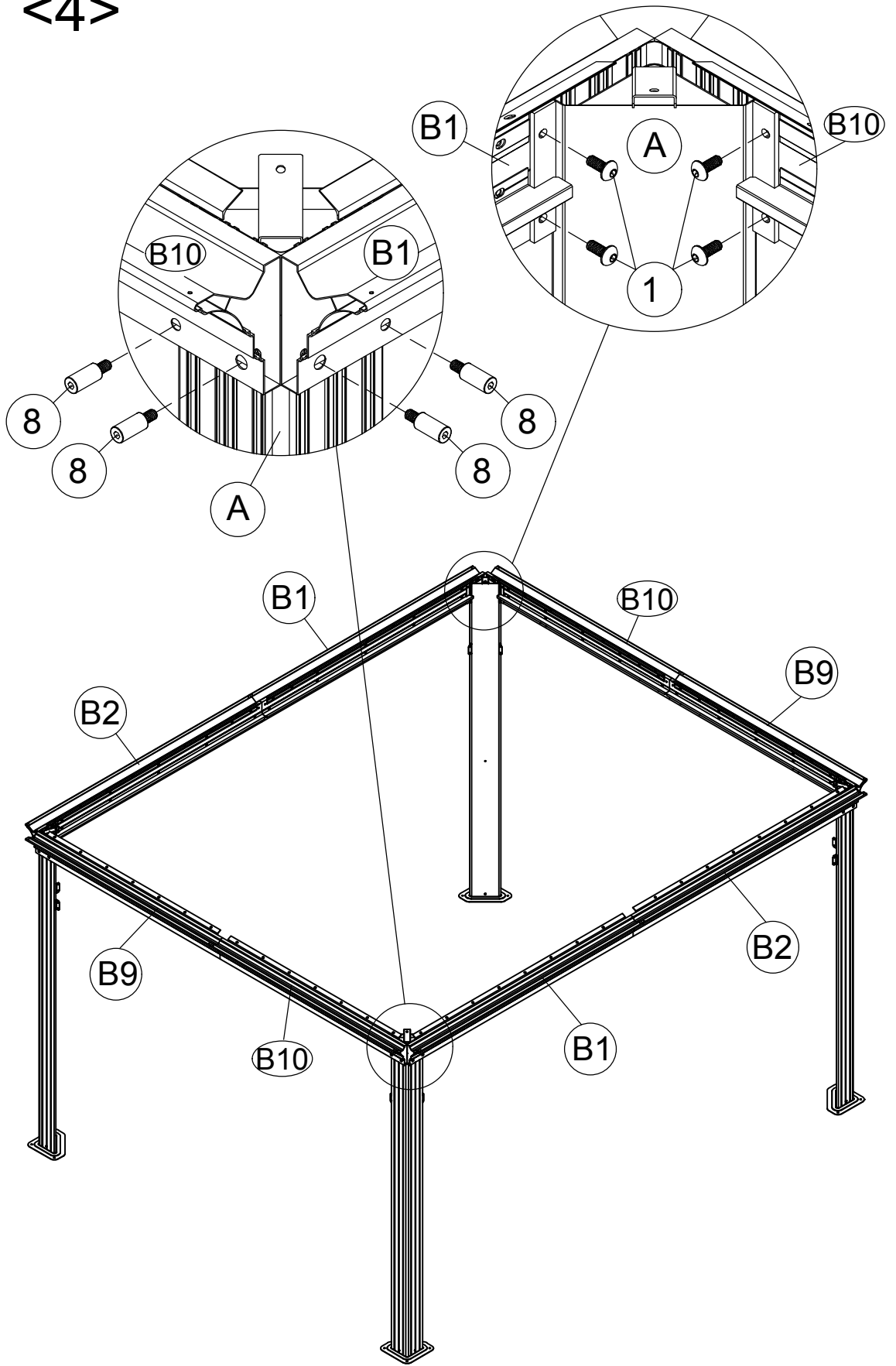
M6x15

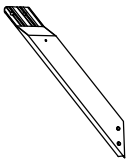
1 16x



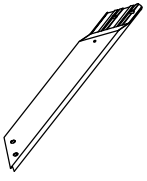
8 16x

<4>





(H) 4x



(H1) 4x



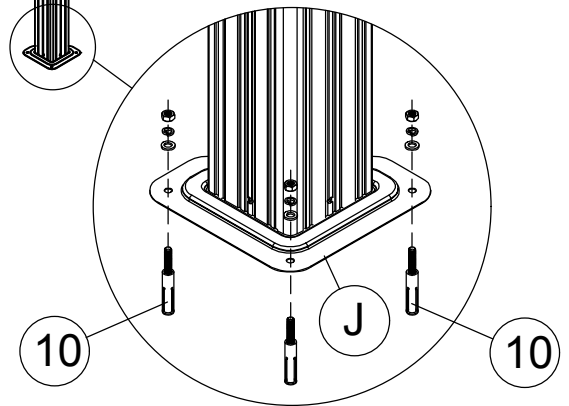
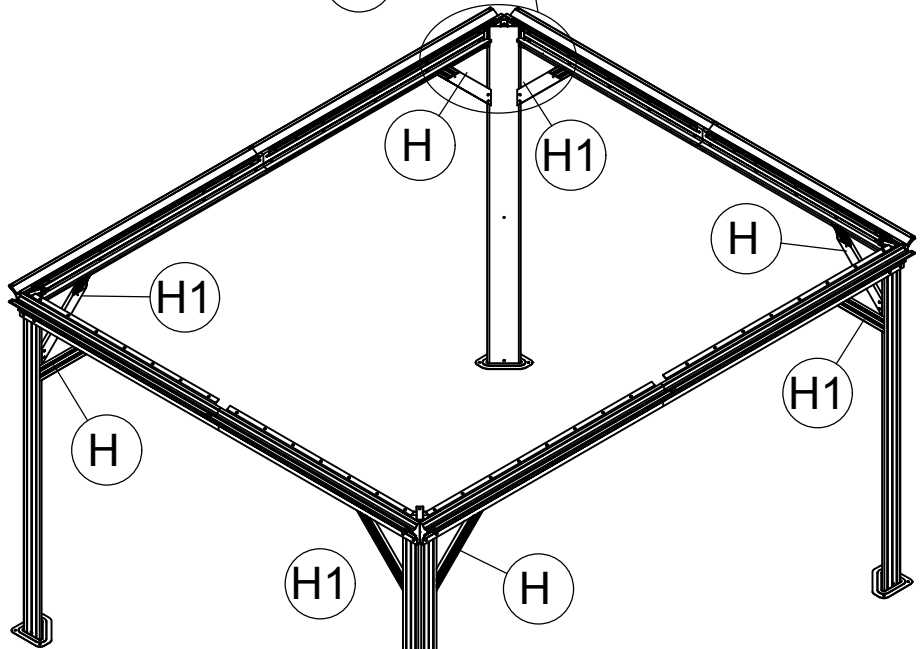
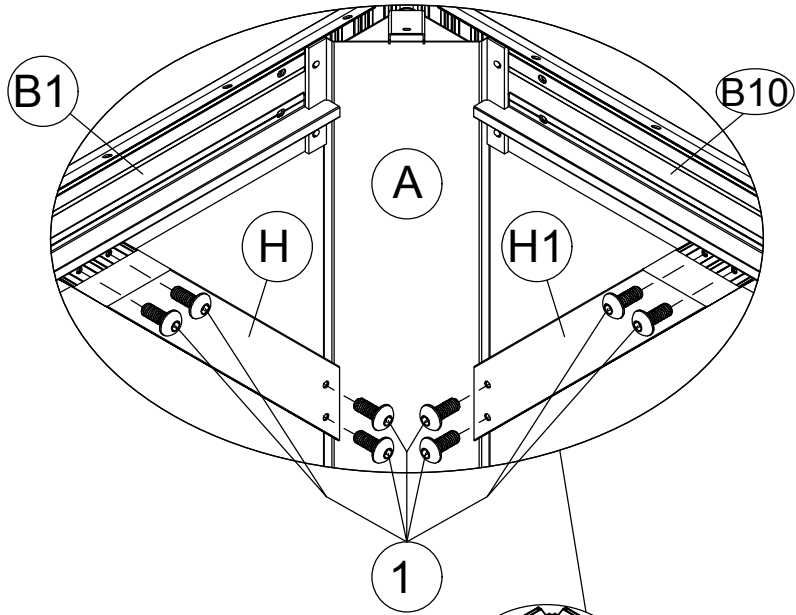
M6x15

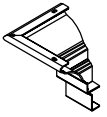
(1) 32x



(10) 12x

<5>





K 4x



K1 4x



U 104x



V 4x

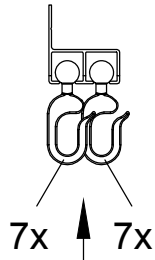


1 4x M6x15

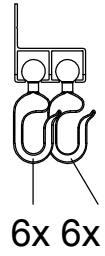


4 24x ST4.8x12

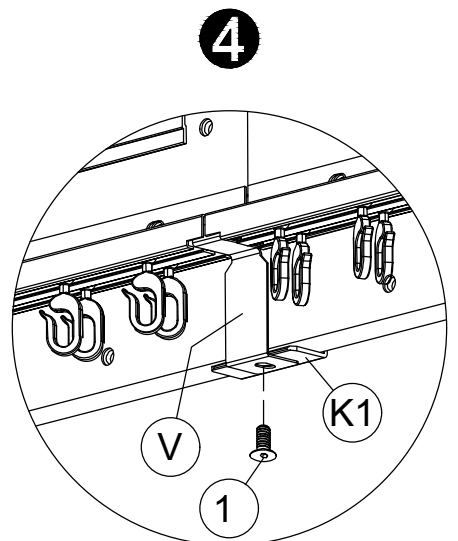
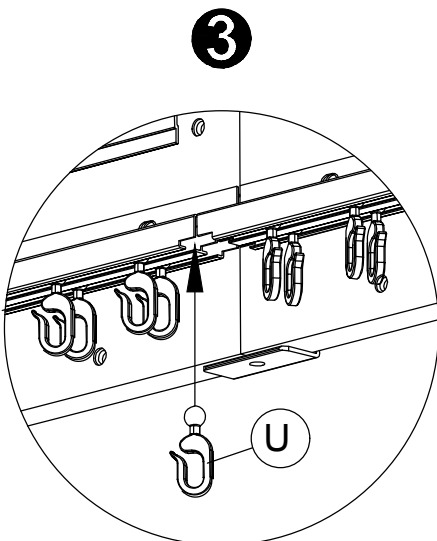
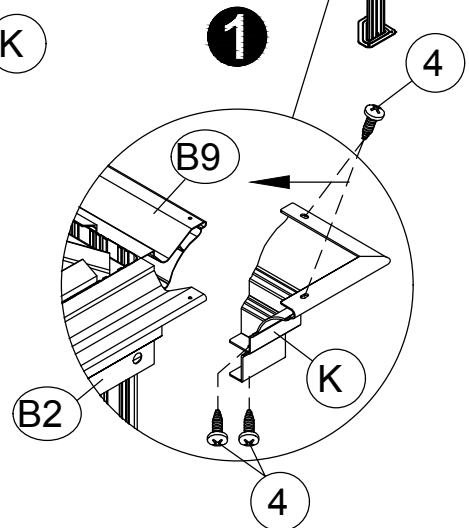
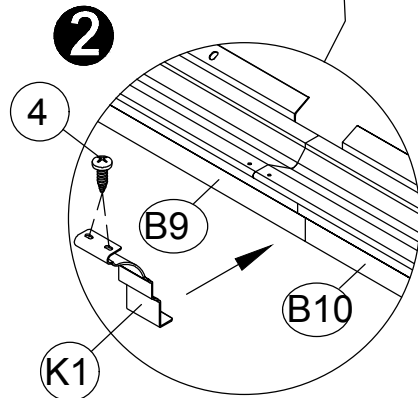
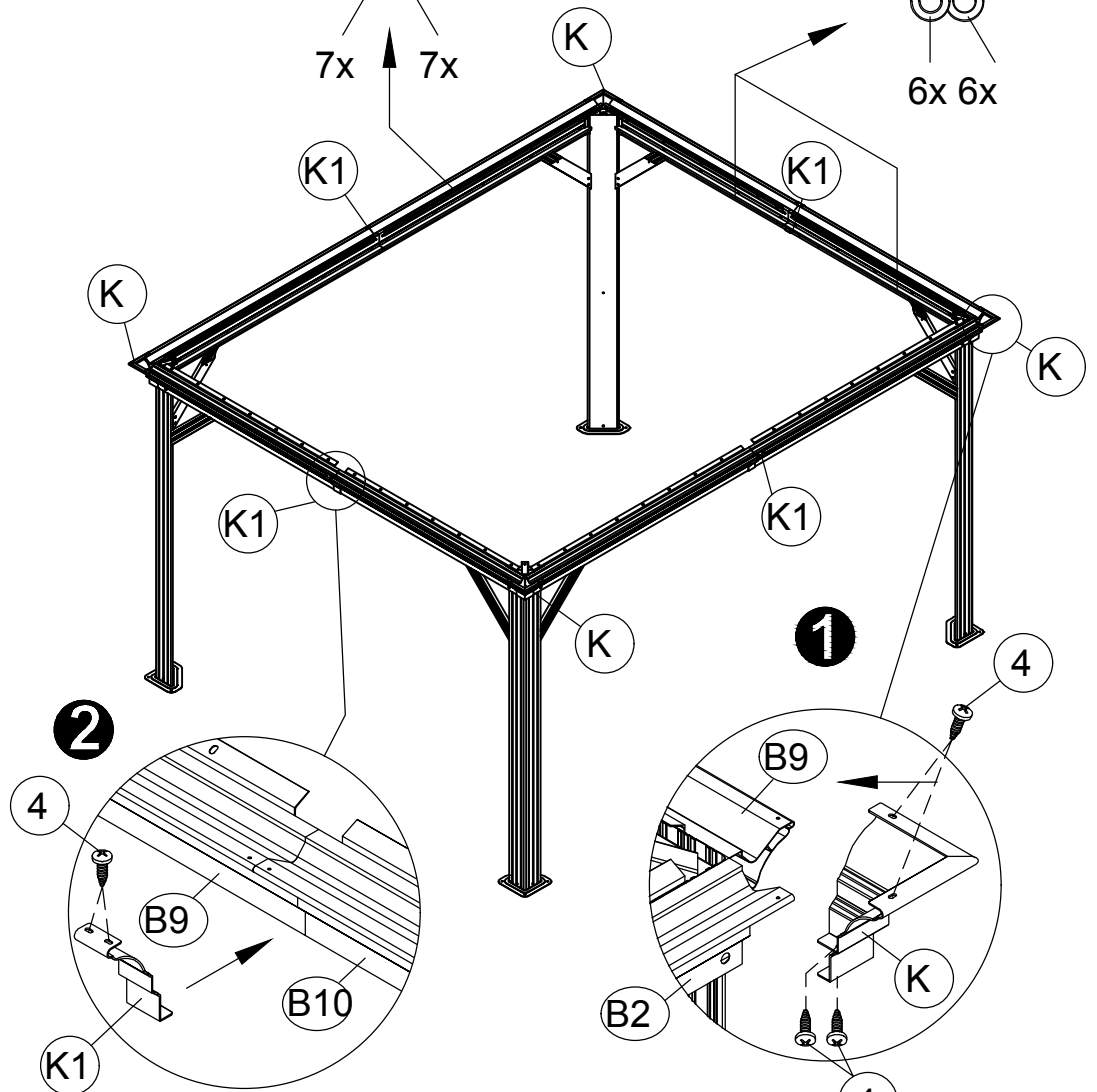
<6>

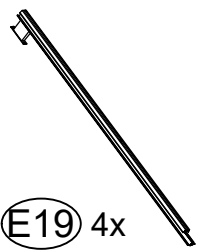


7x 7x

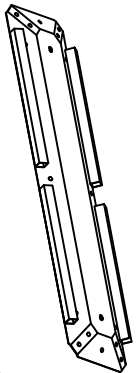


6x 6x





E19 4x



L6 1x

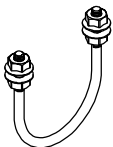


E5 4x



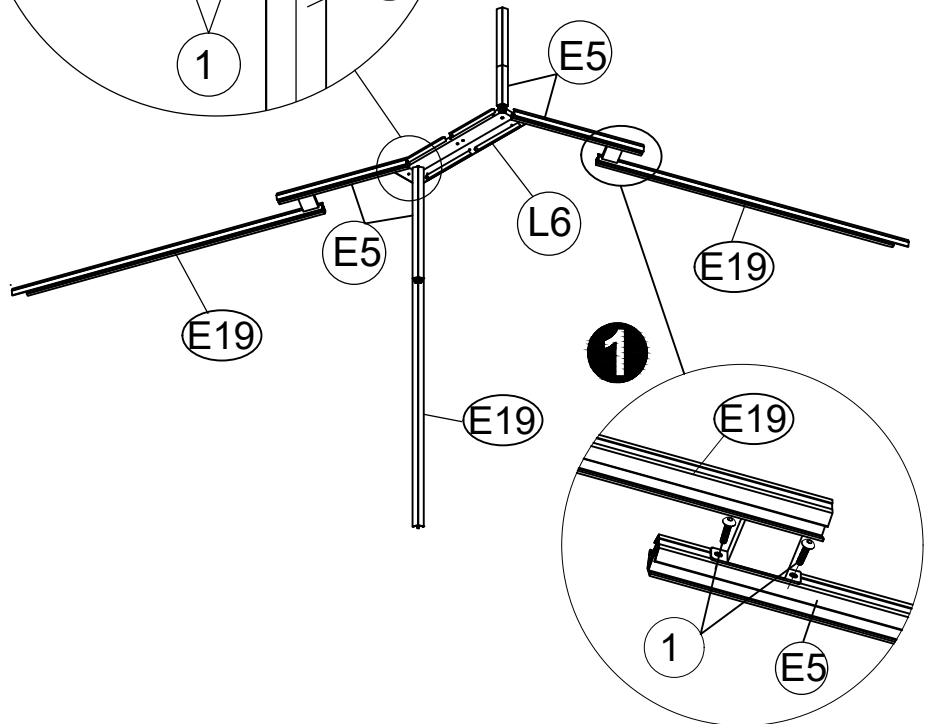
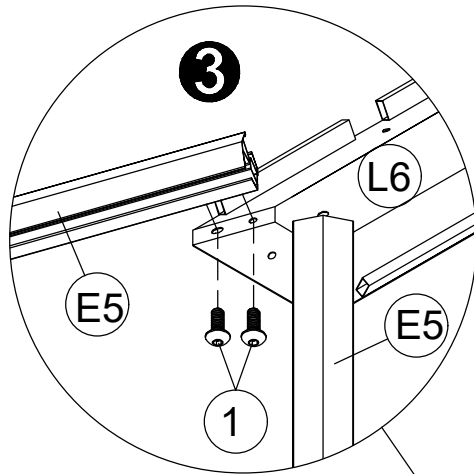
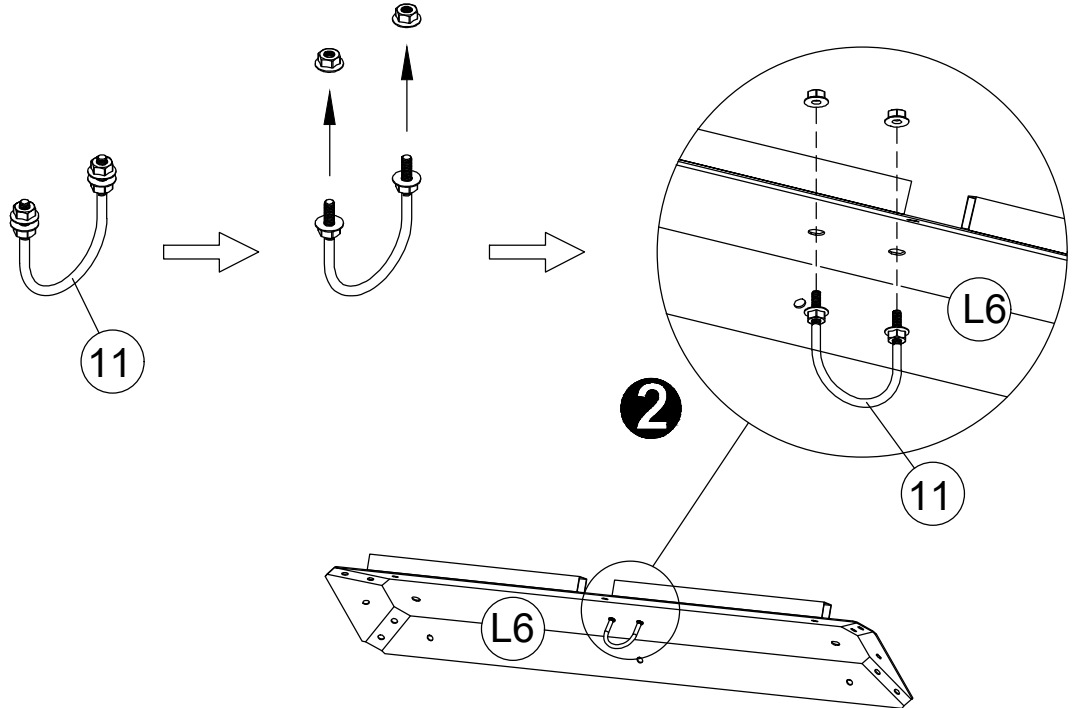
M6x15

1 16x



11 1x

<7>

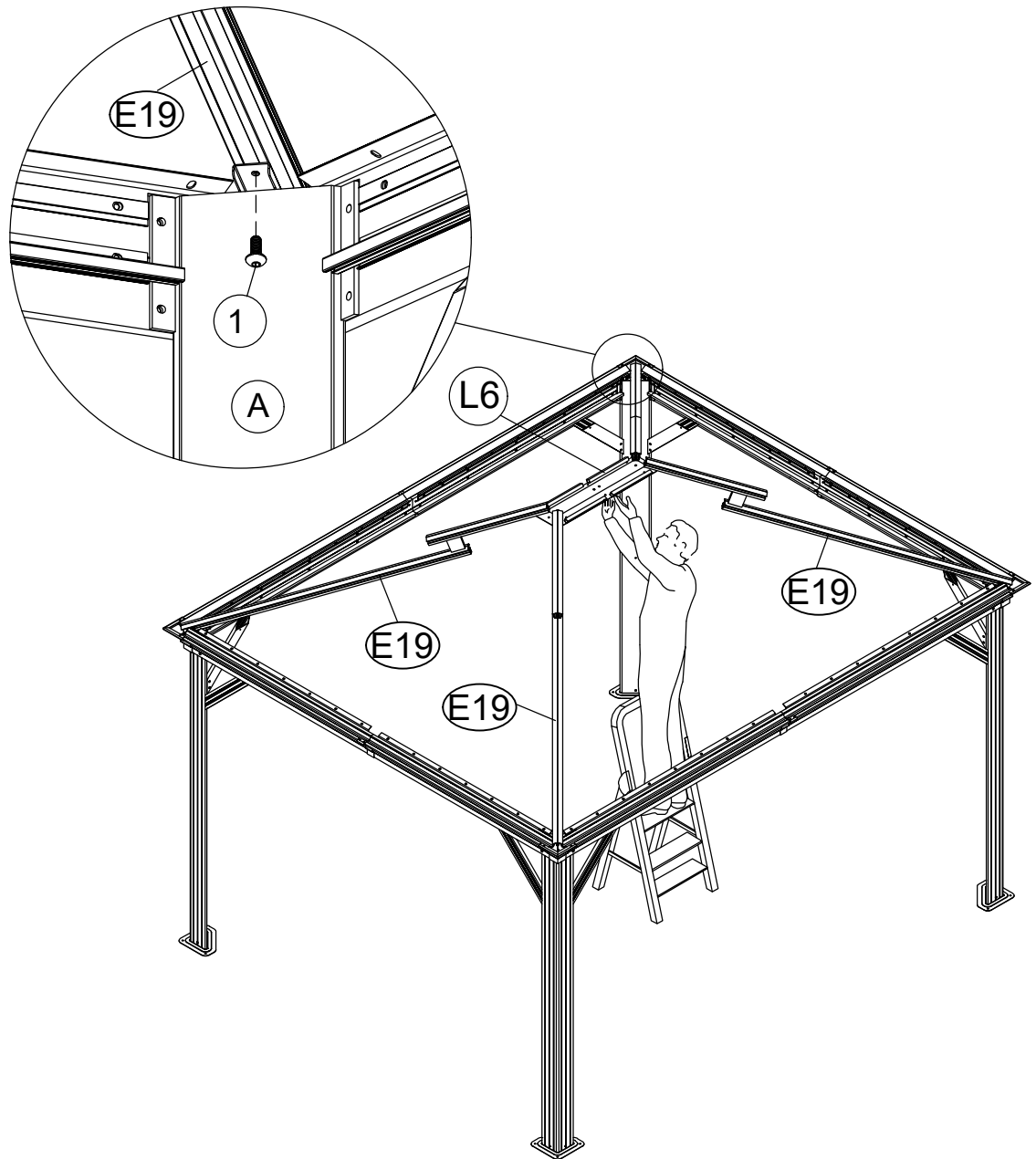




M6x15

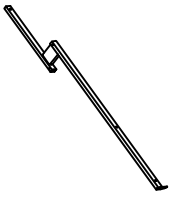
① 4x

<8>

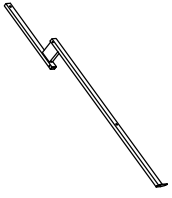


Note:

1. Let one person stand on the ladder to lift "L6" and hold and let others fasten the screws connecting both ends of "E19".
2. Please do not let go of holding "L6" until all the "E19" screws are installed.



E10 2x



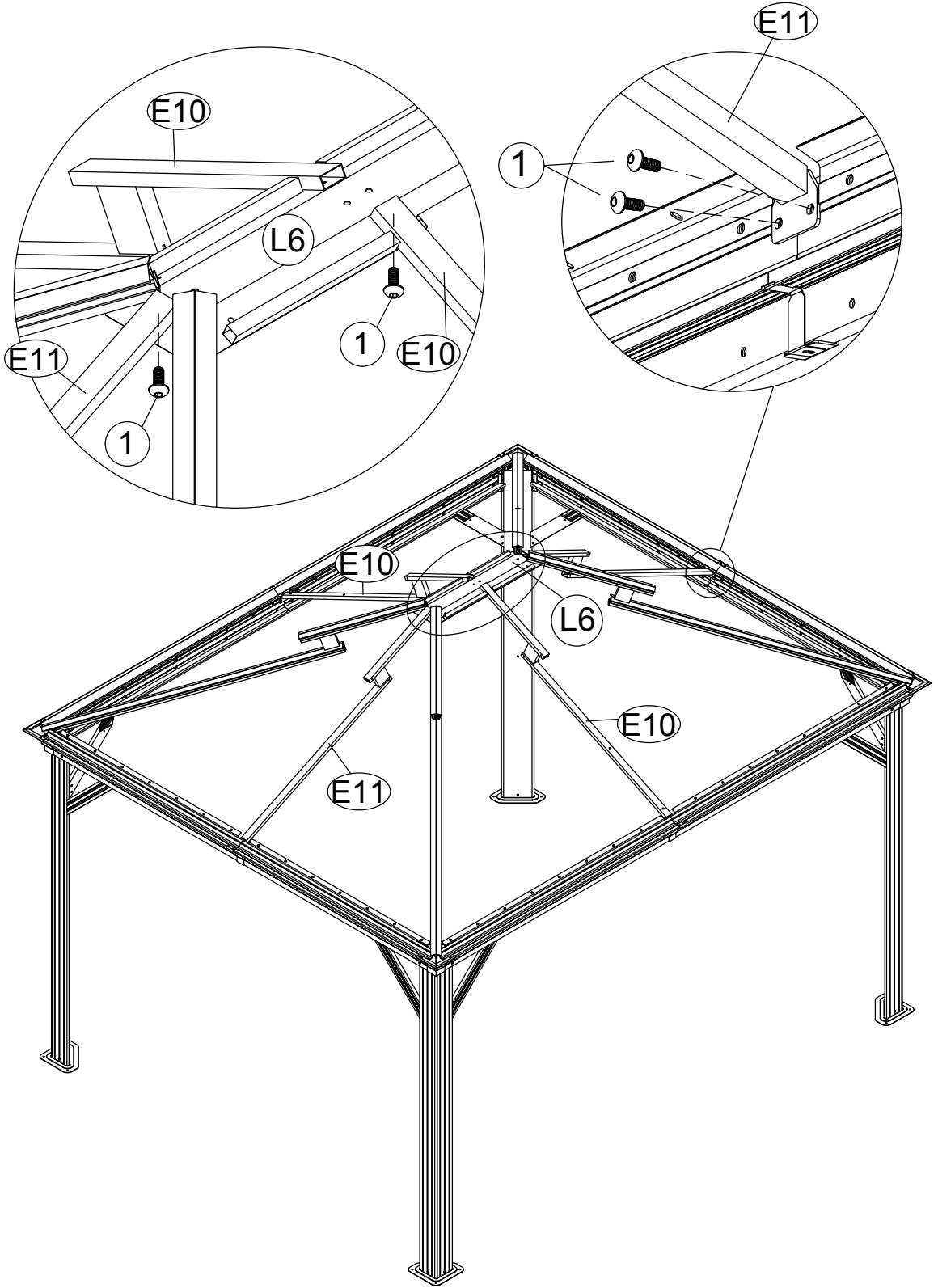
E11 2x

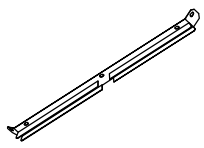


M6x15

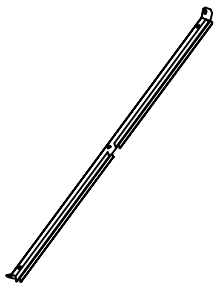
1 12x

<9>





I1 2x



I9 2x



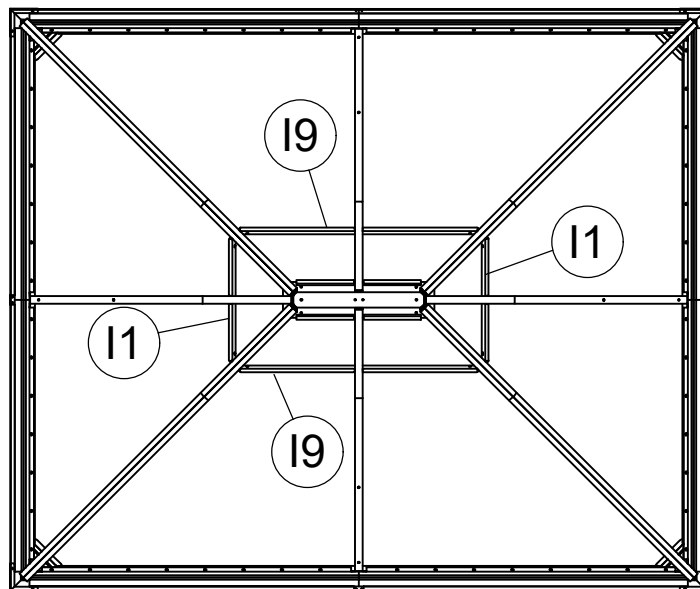
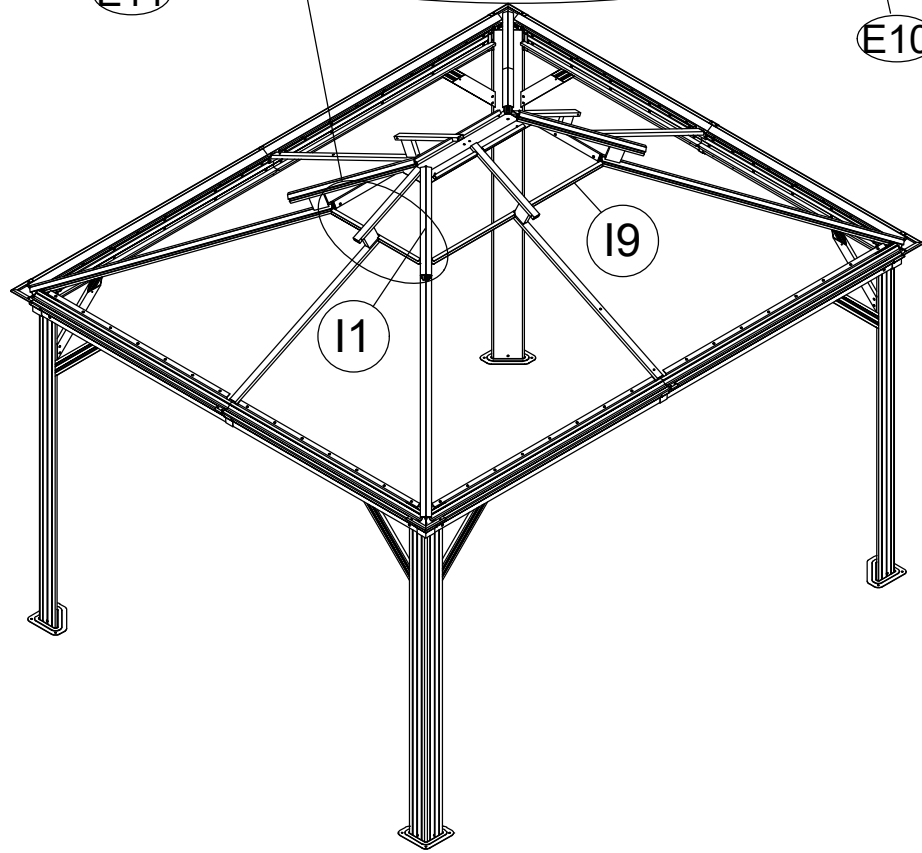
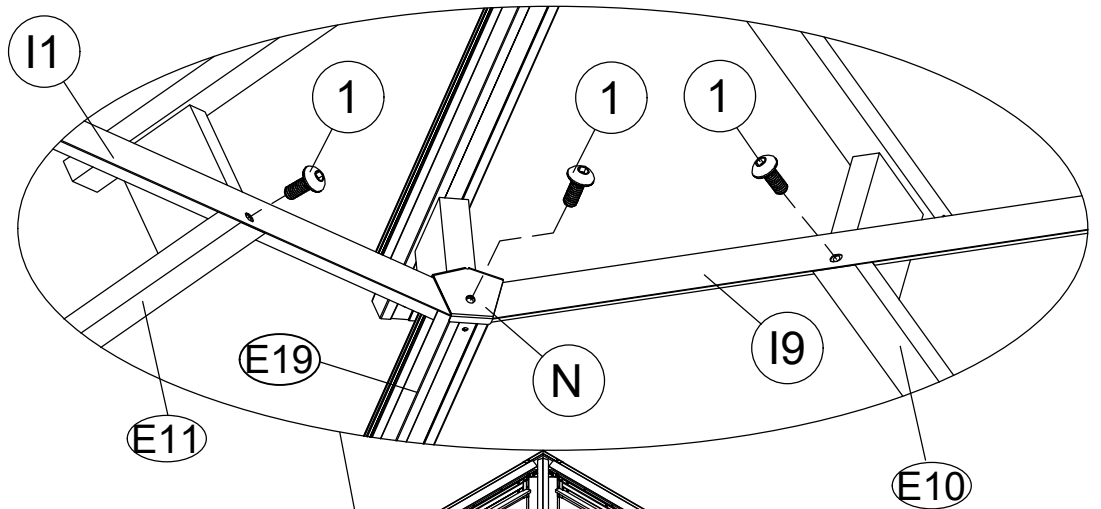
N 4x



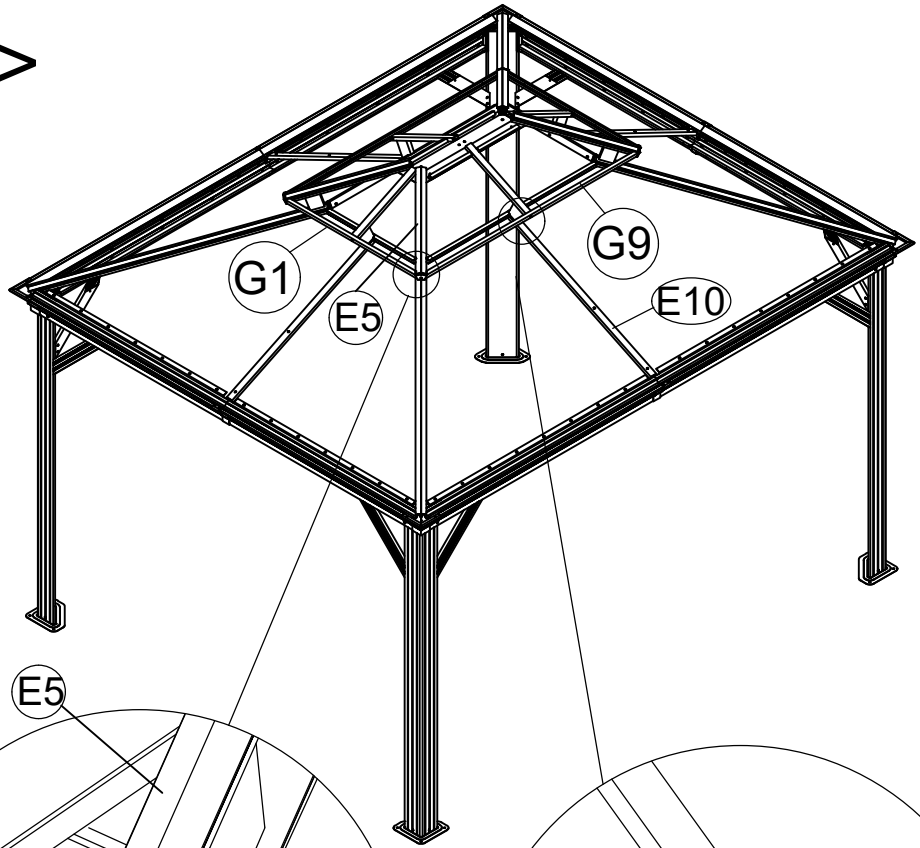
M6x15

1 8x

<10>



<11>



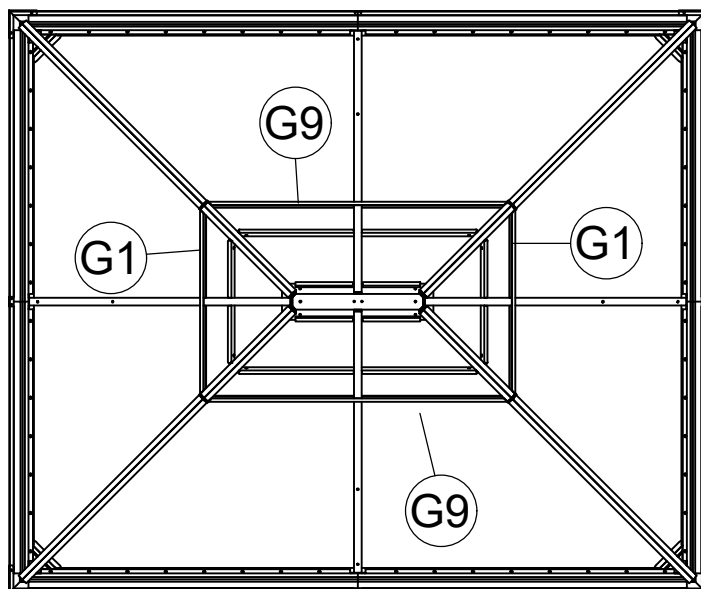
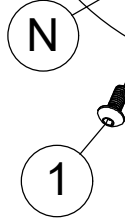
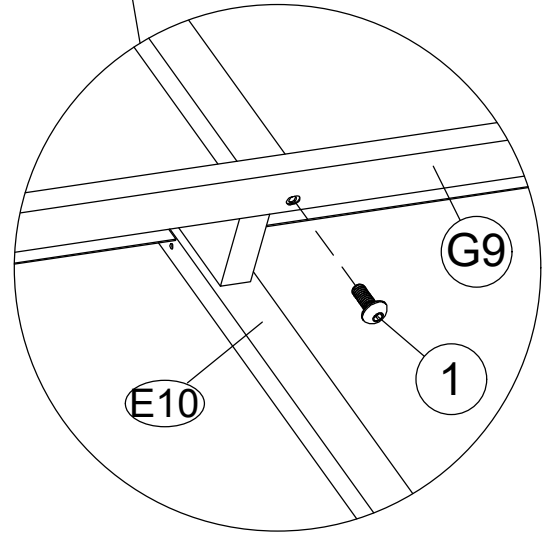
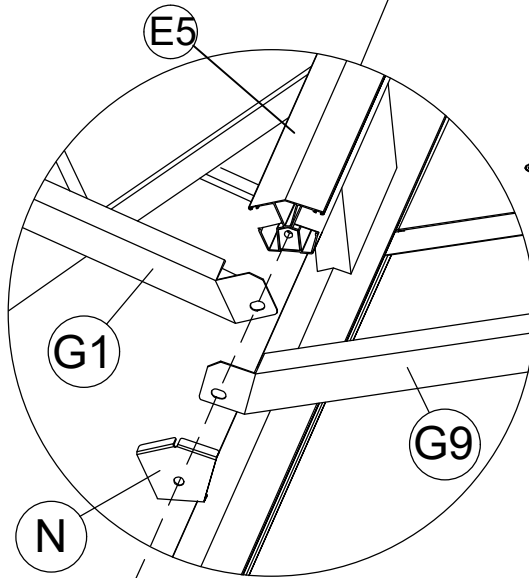
G1 2x

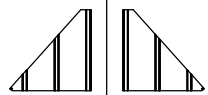
G9 2x

N 4x

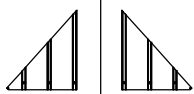
1 8x

M6x15

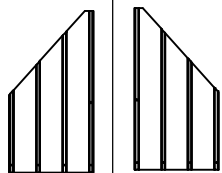




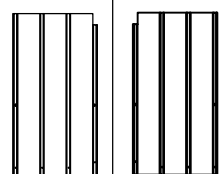
S1 2x S2 2x



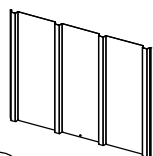
R1 2x R2 2x



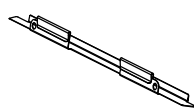
Q3 2x Q4 2x



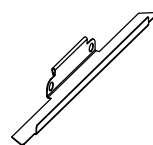
Q5 2x Q6 2x



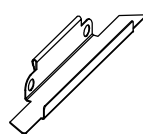
S3 2x



Z 24x



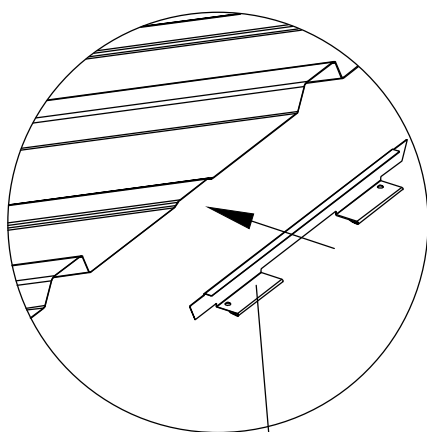
Z1 8x



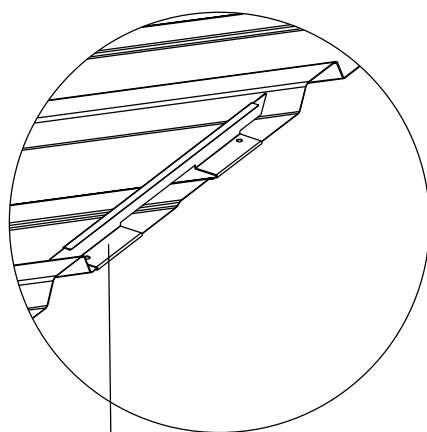
Z2 4x

16

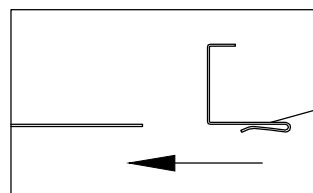
<12>



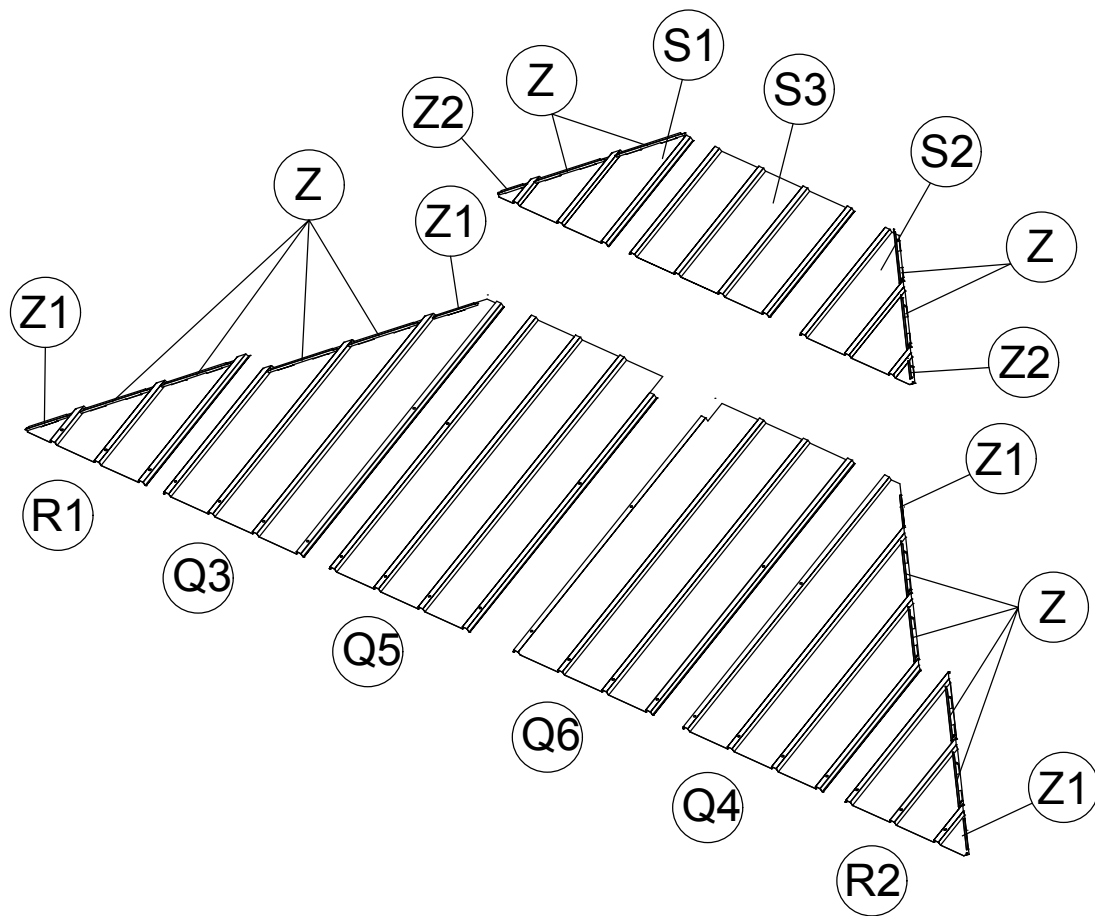
Z or Z1 or Z2



Z or Z1 or Z2

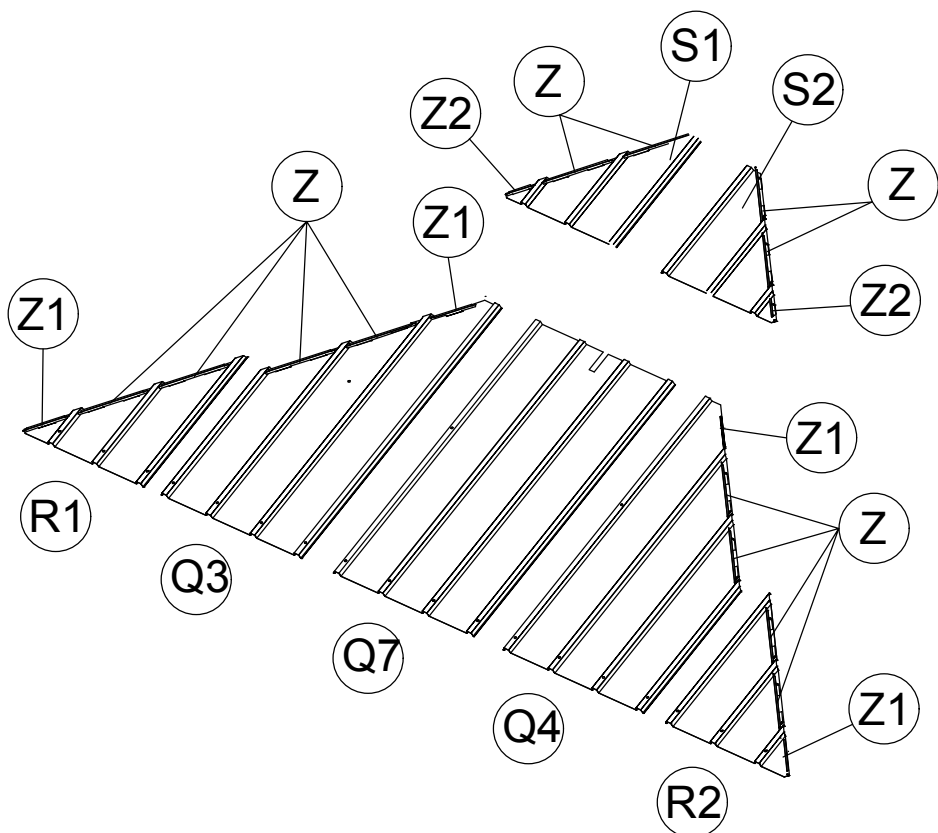
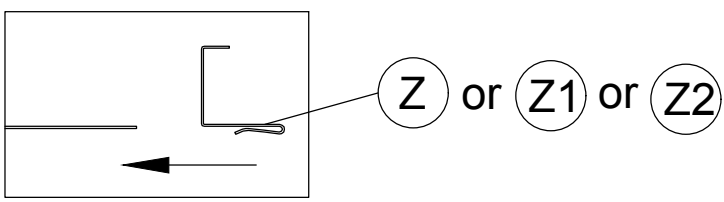
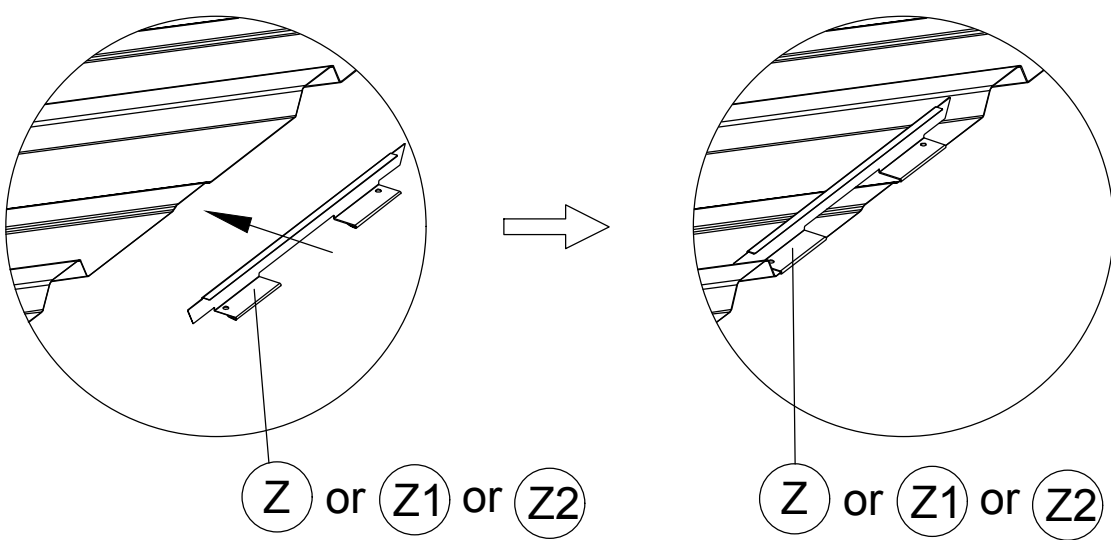


Z or Z1 or Z2

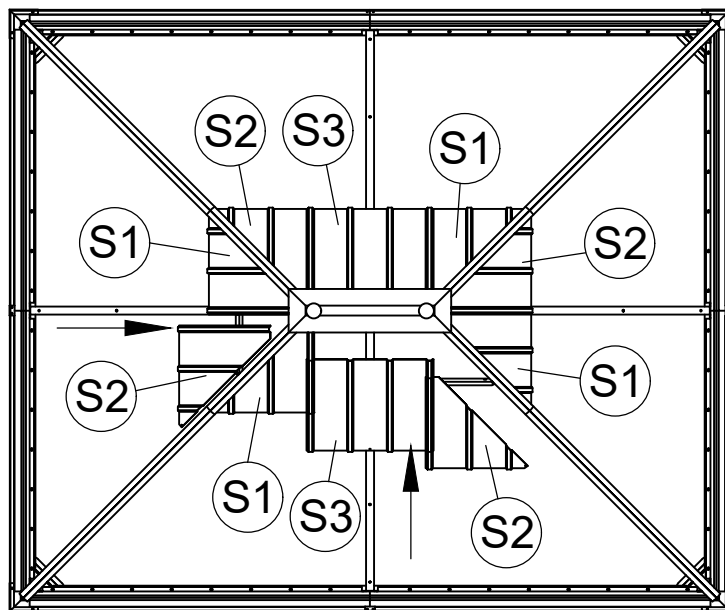
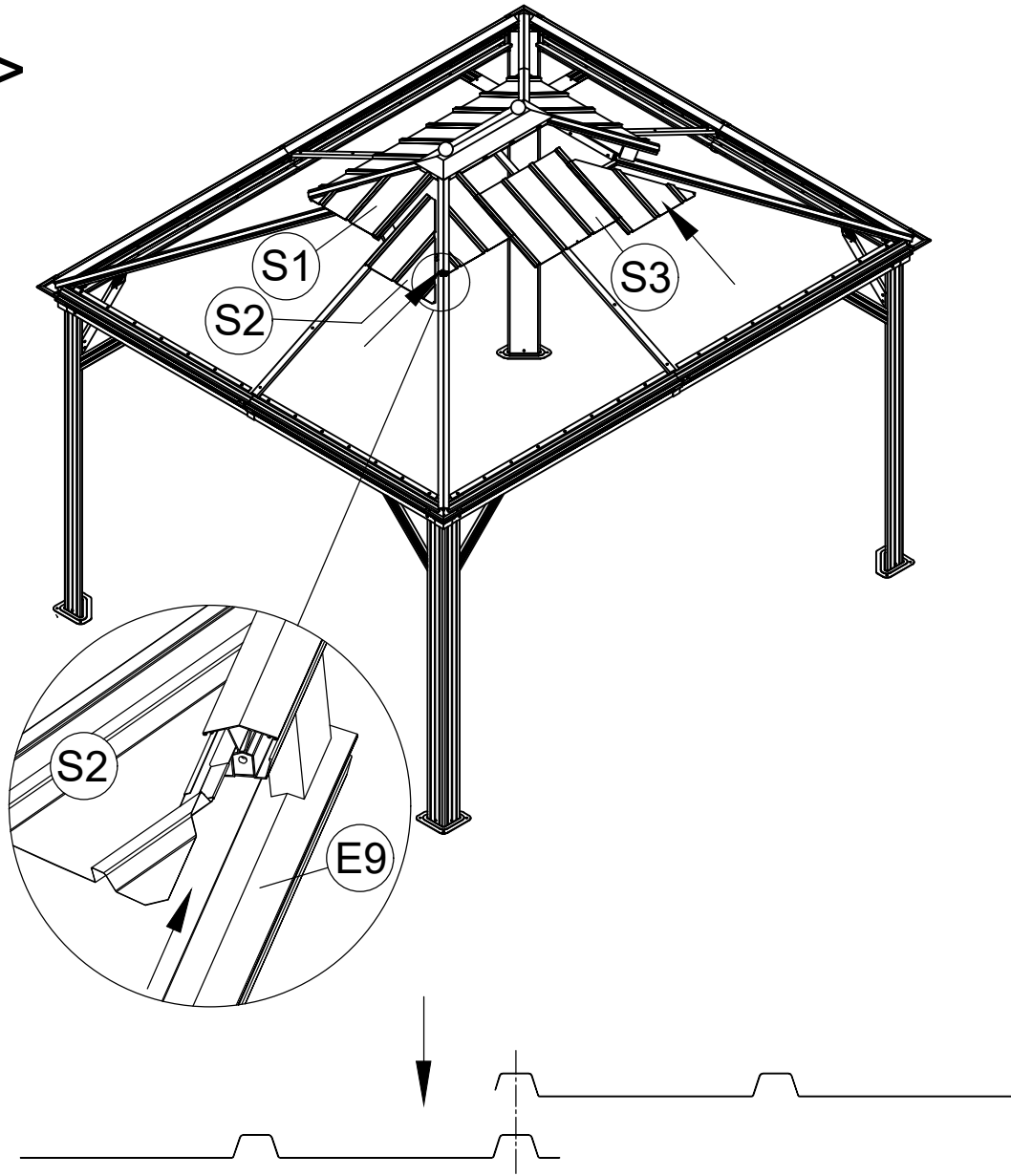


	S1 2x S2 2x
	R1 2x R2 2x
	Q3 2x Q4 2x
	Q7 2x
	Z 24x
	Z1 8x
	Z2 4x
17	

<13>



<14>





M2b 1x



5 2x



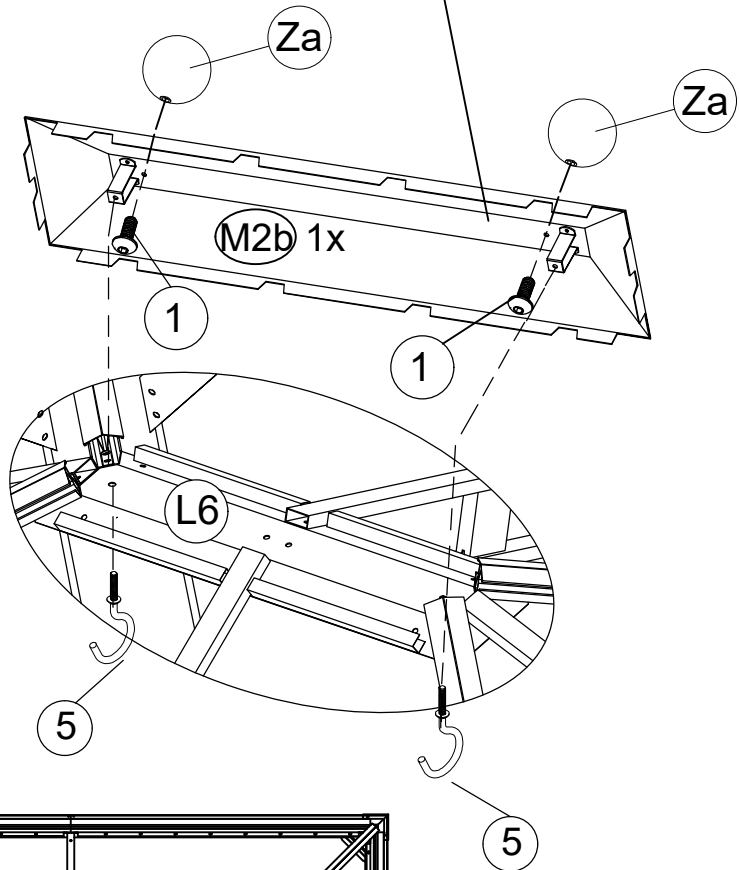
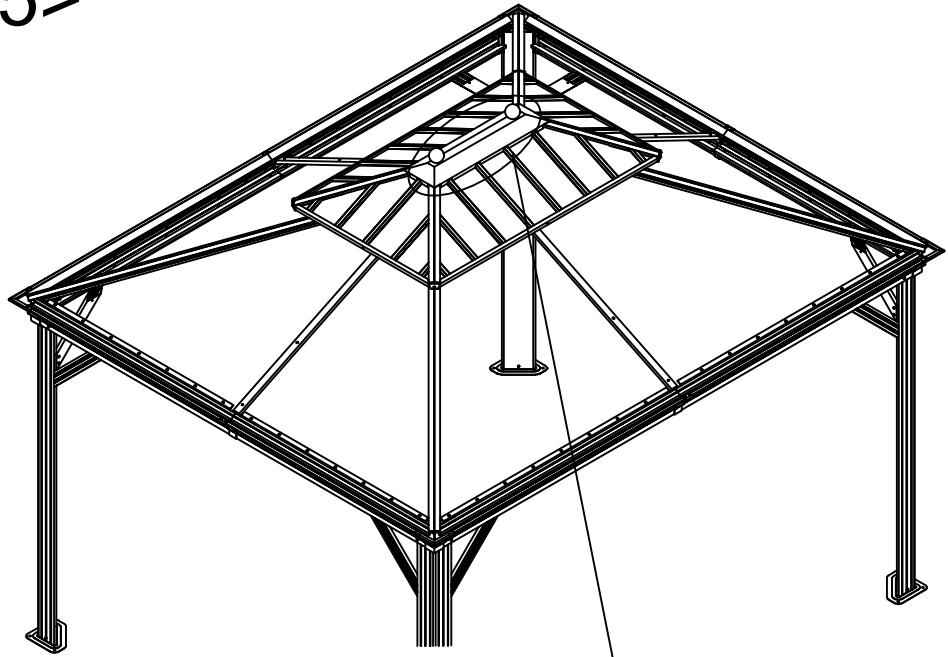
M6x15

1 2x

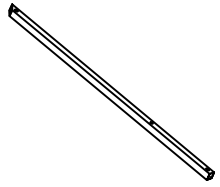


Za 2x

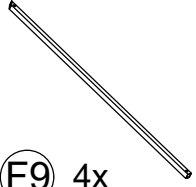
<15>



<16>



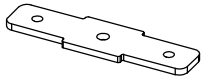
F7 4x



F9 4x



W 4x

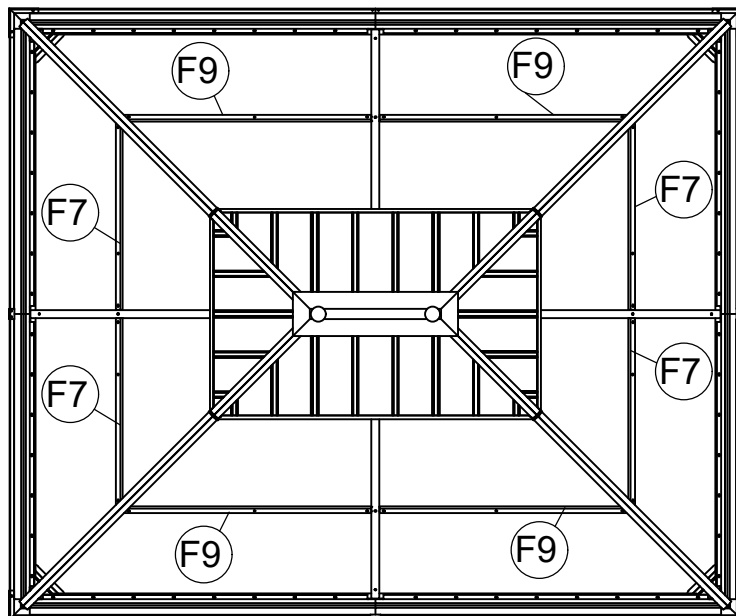
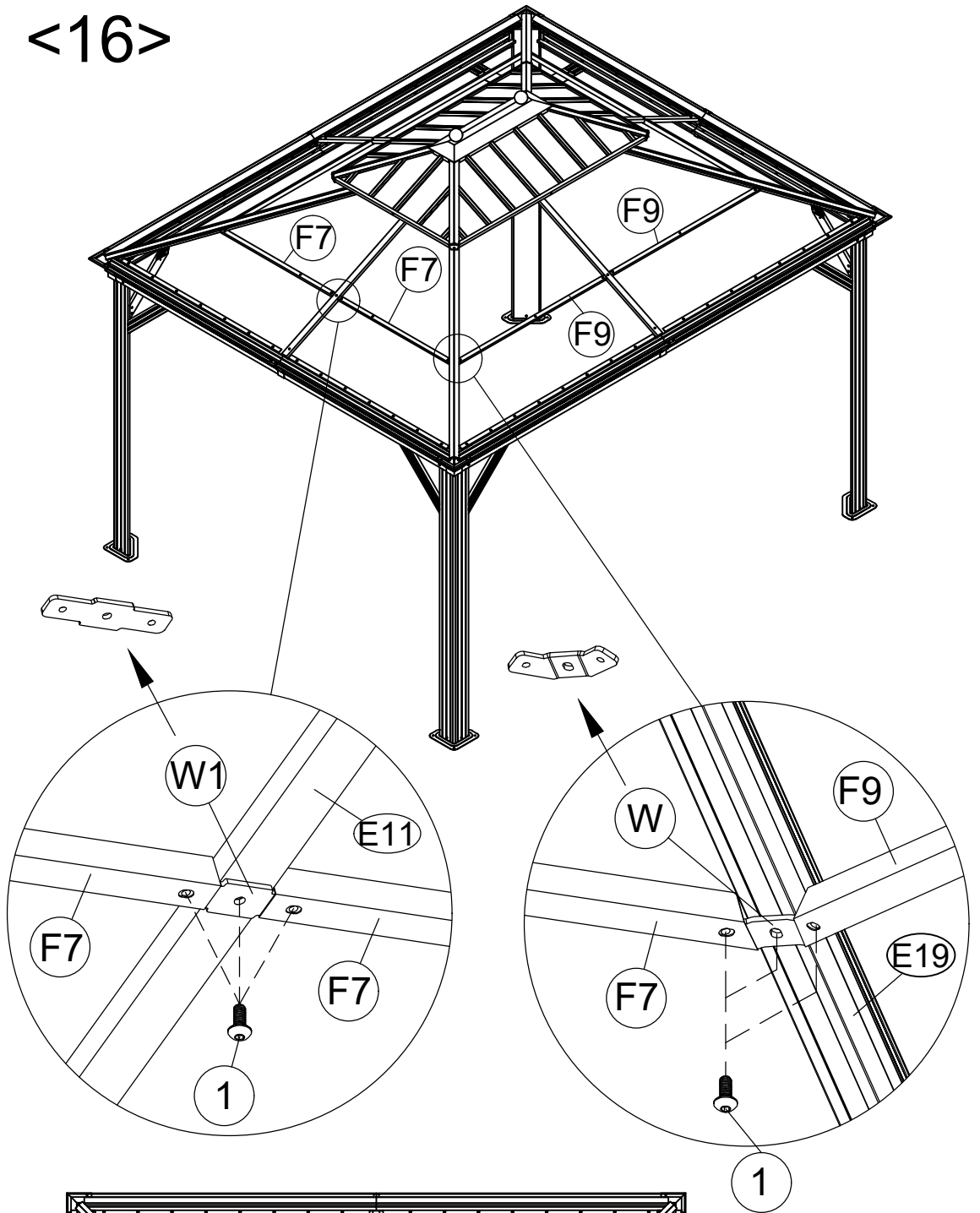


W1 4x

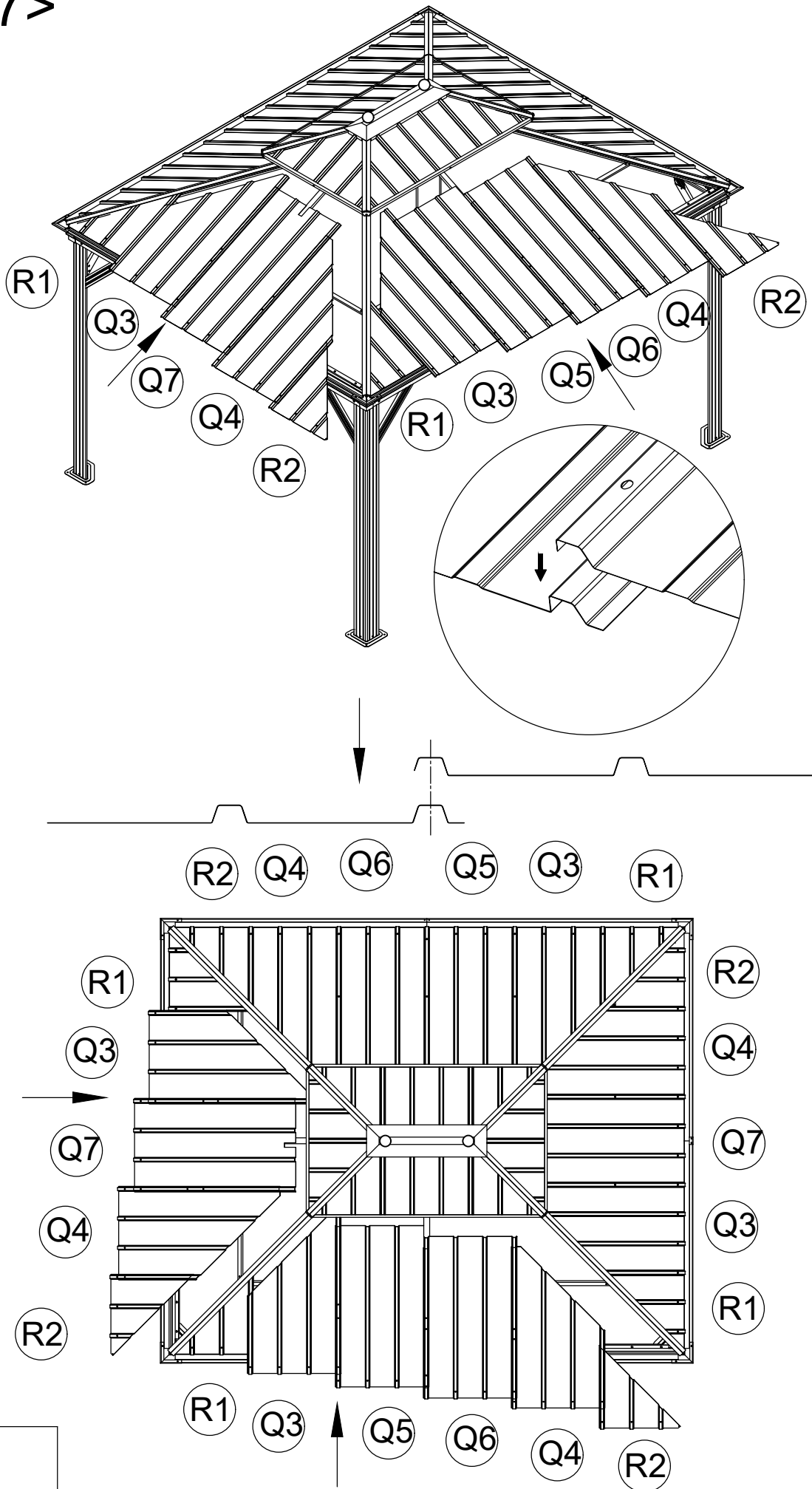


M6x15

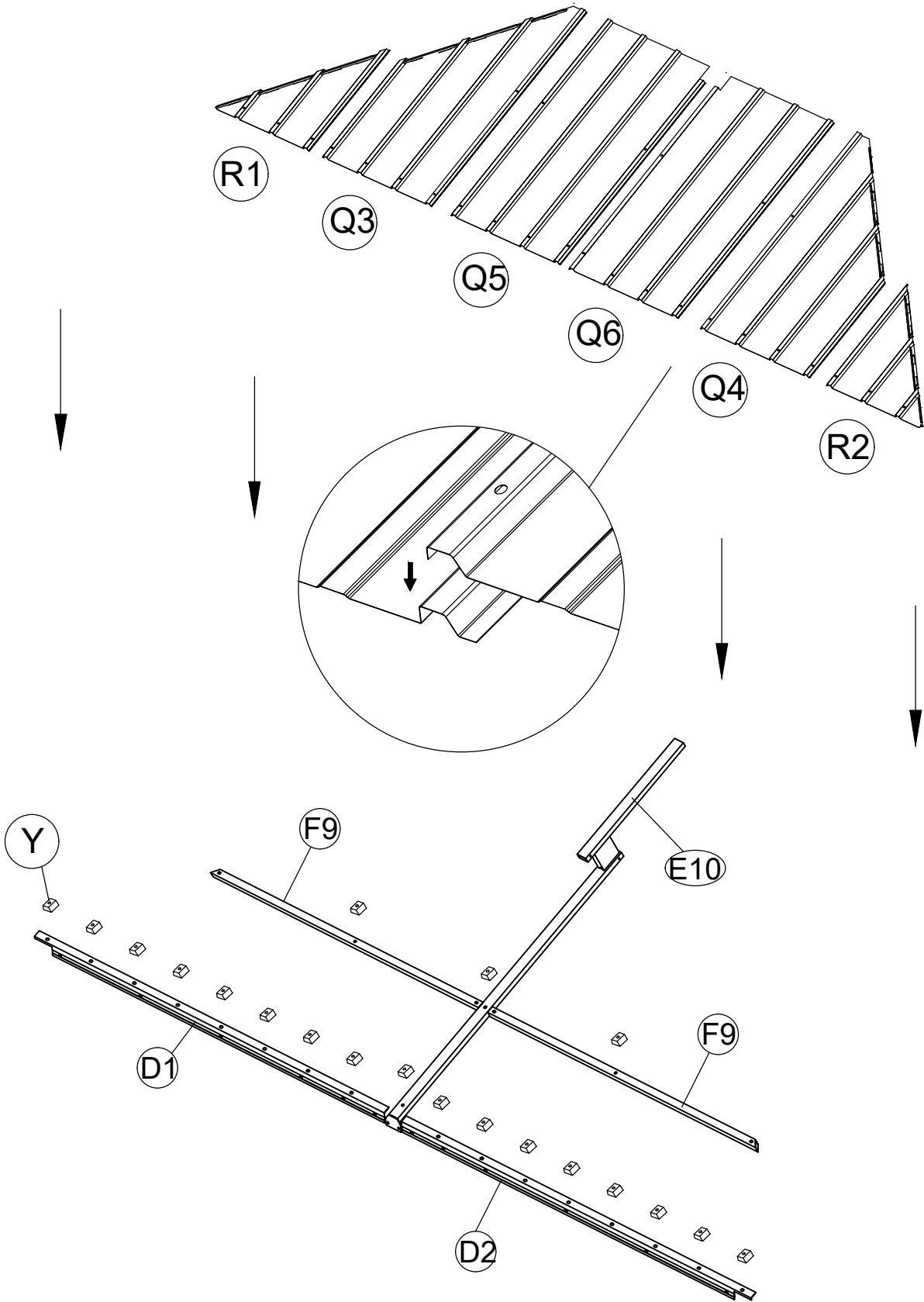
1 24x



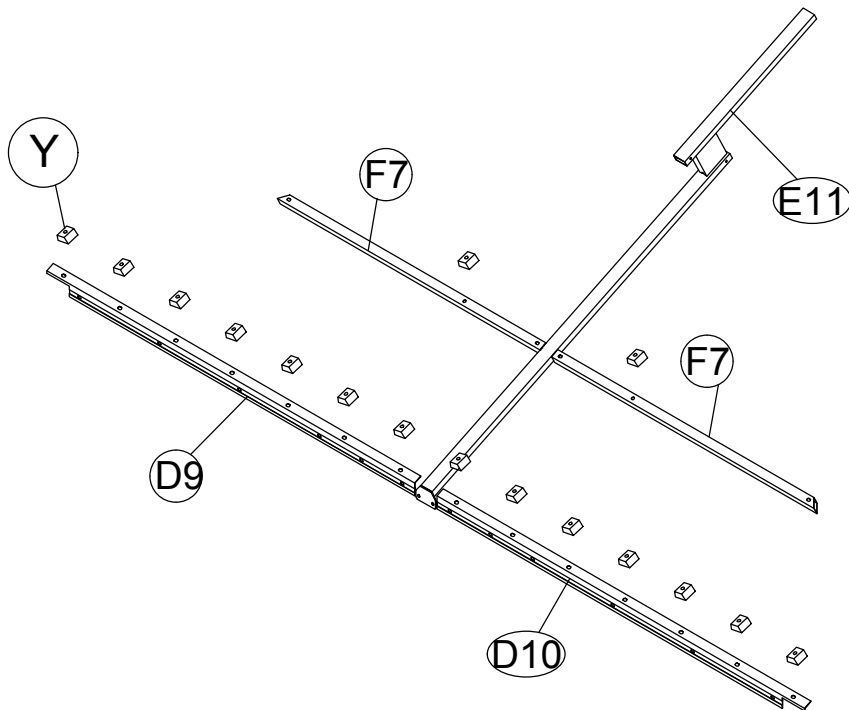
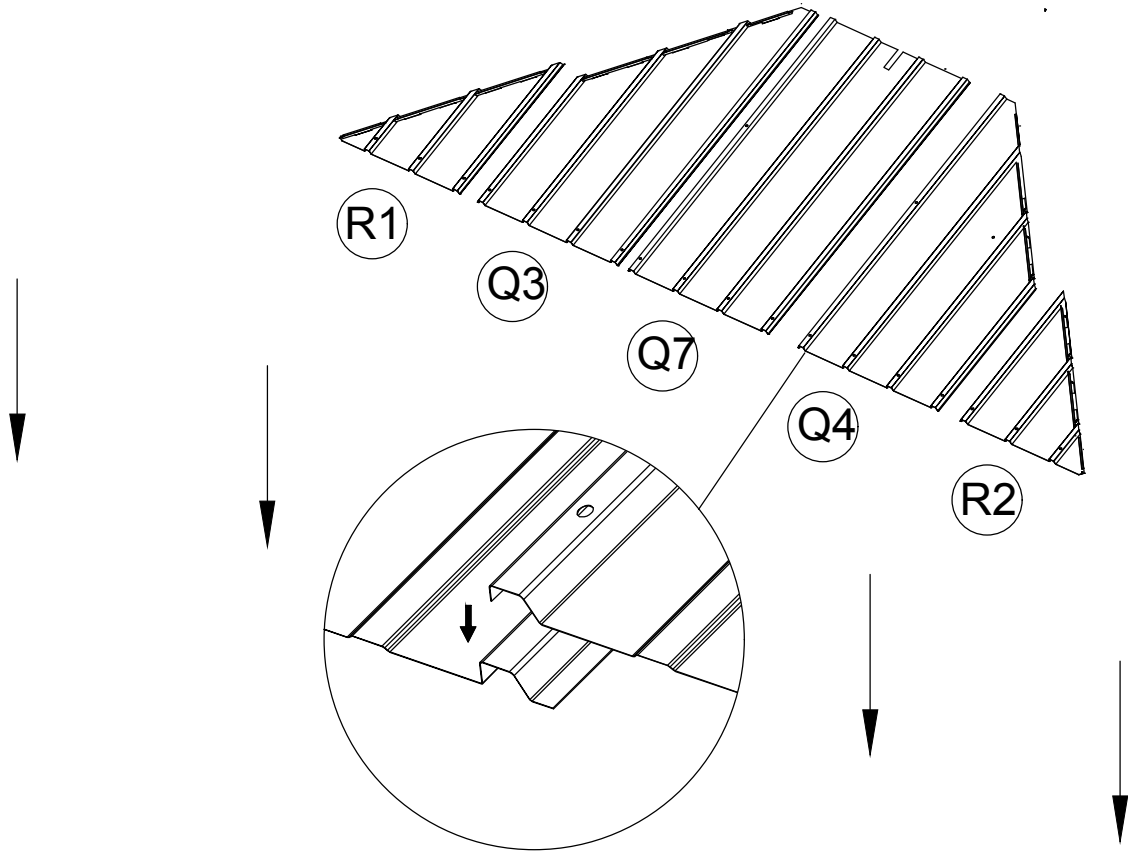
<17>



<18>



<19>





<20>

Y 72x



M6x23

2 60x



M6x25

3 2x



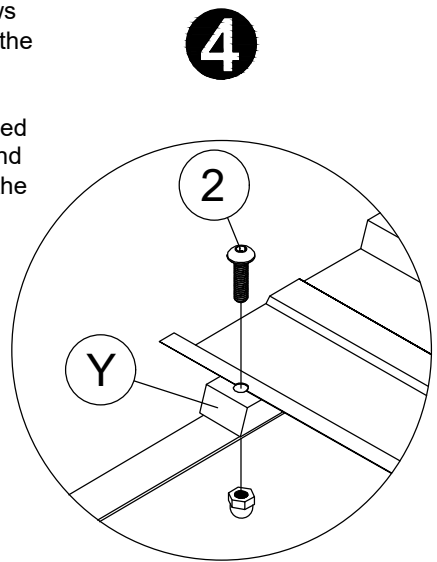
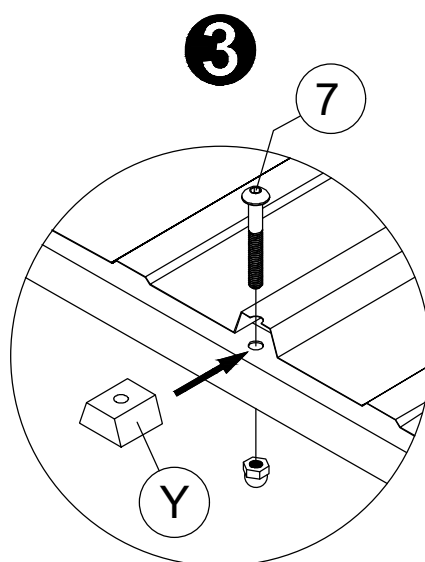
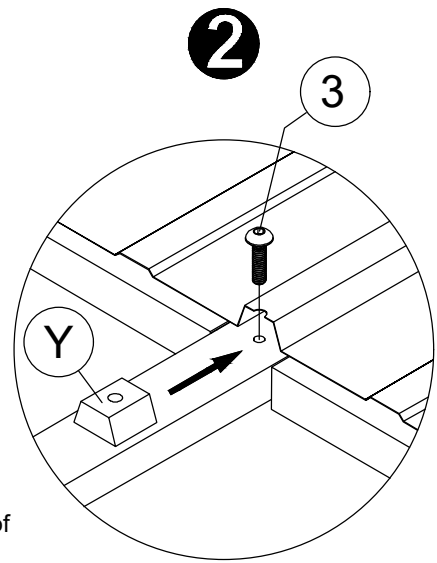
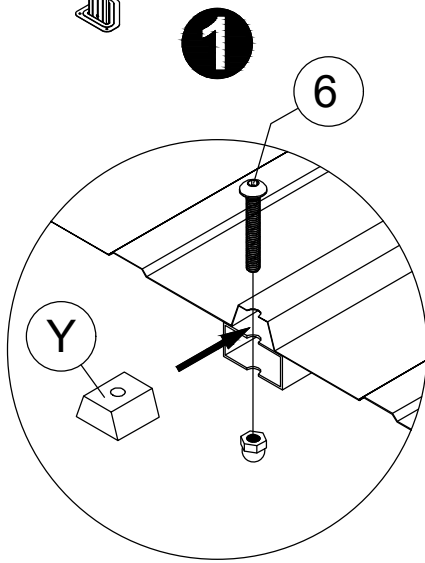
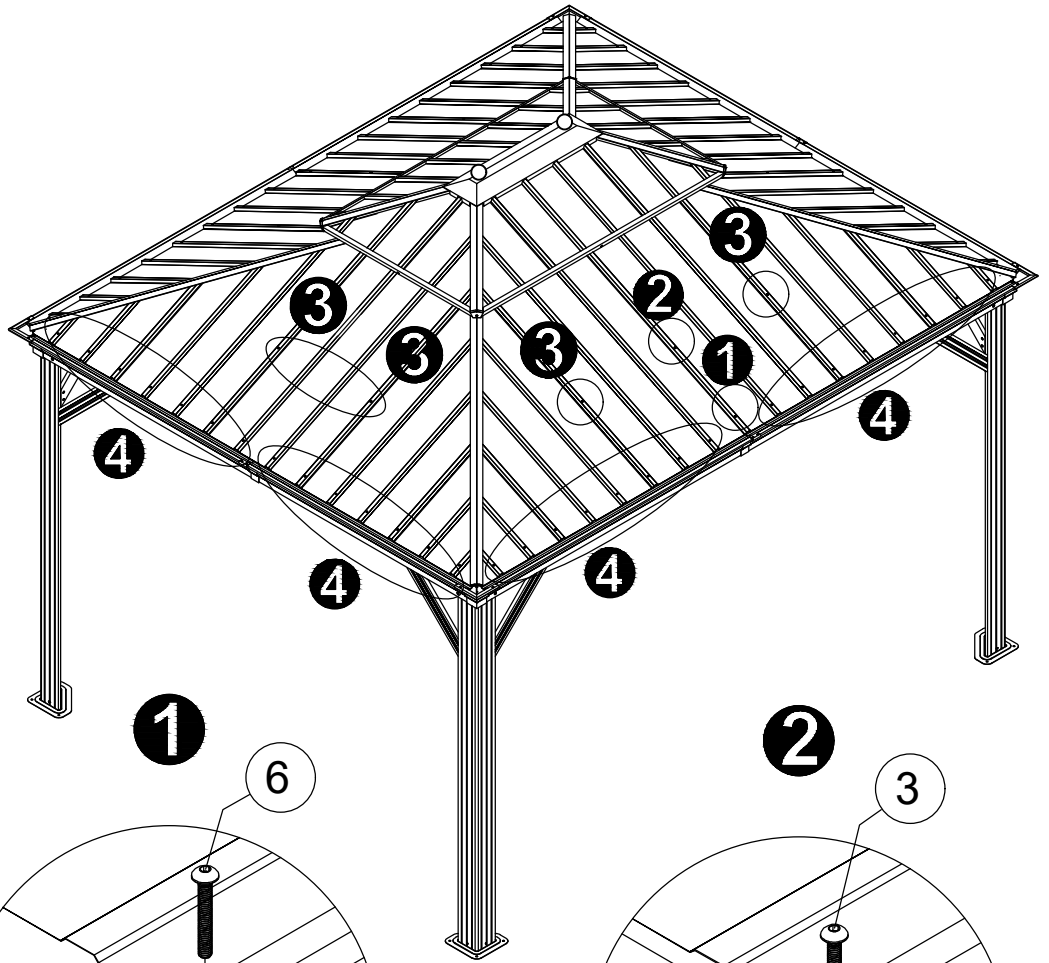
M6x42

6 2x

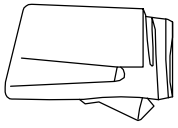


M6x47

7 8x

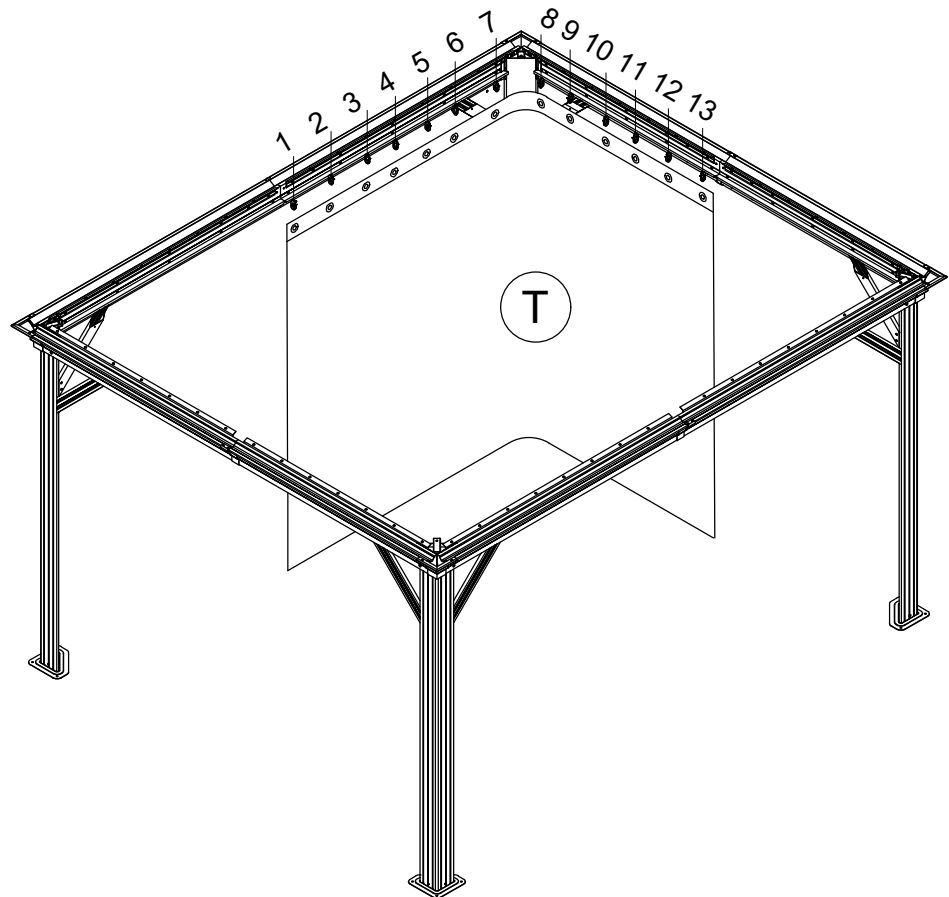
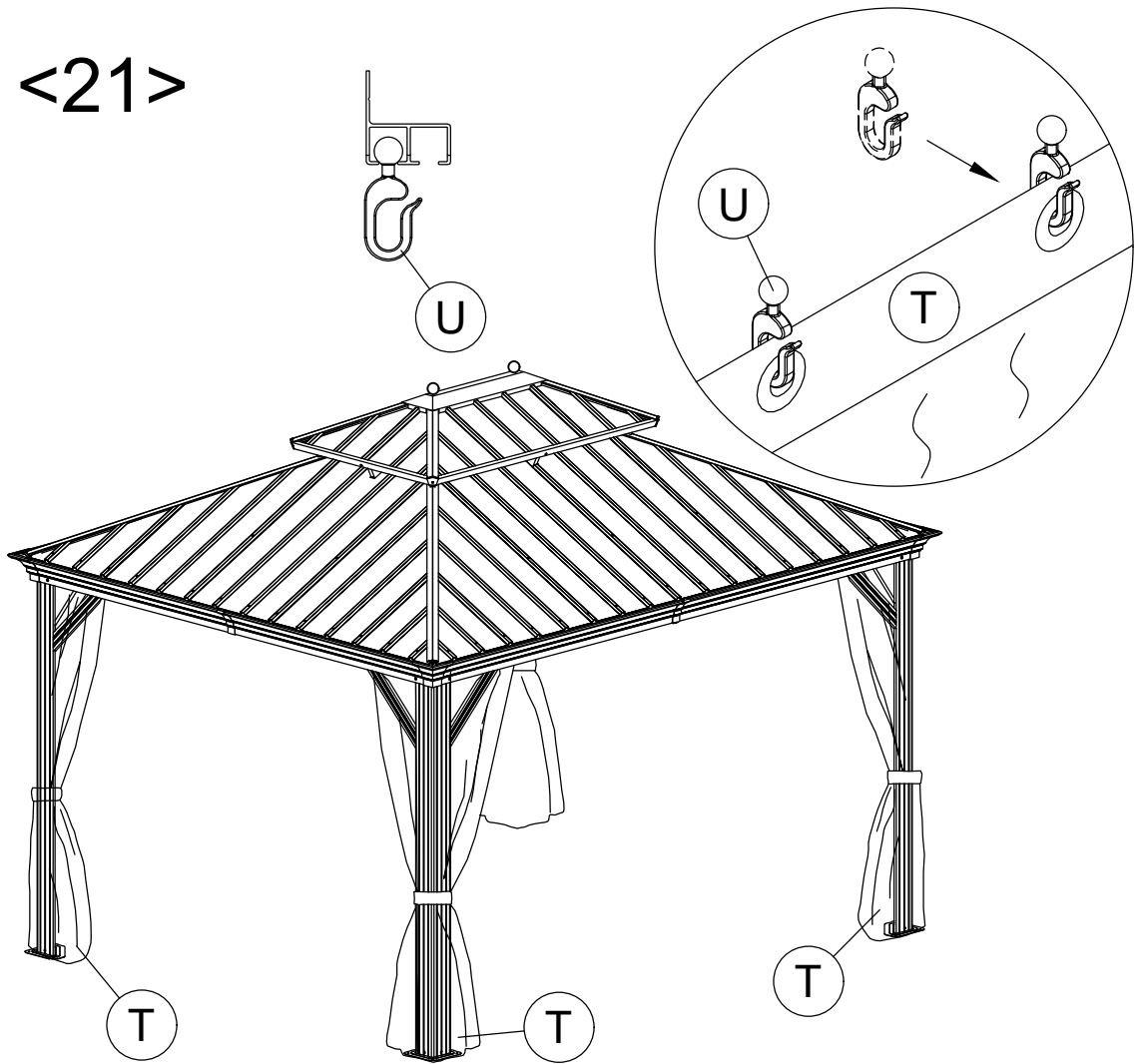


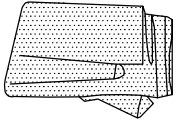
Note: When installing the roof top plates, if the roof plates are slightly uneven, pls press the screws from the top of the plates until the bottom screw thread is exposed by 3 to 4mm, and then screw on the nut.



T 4x

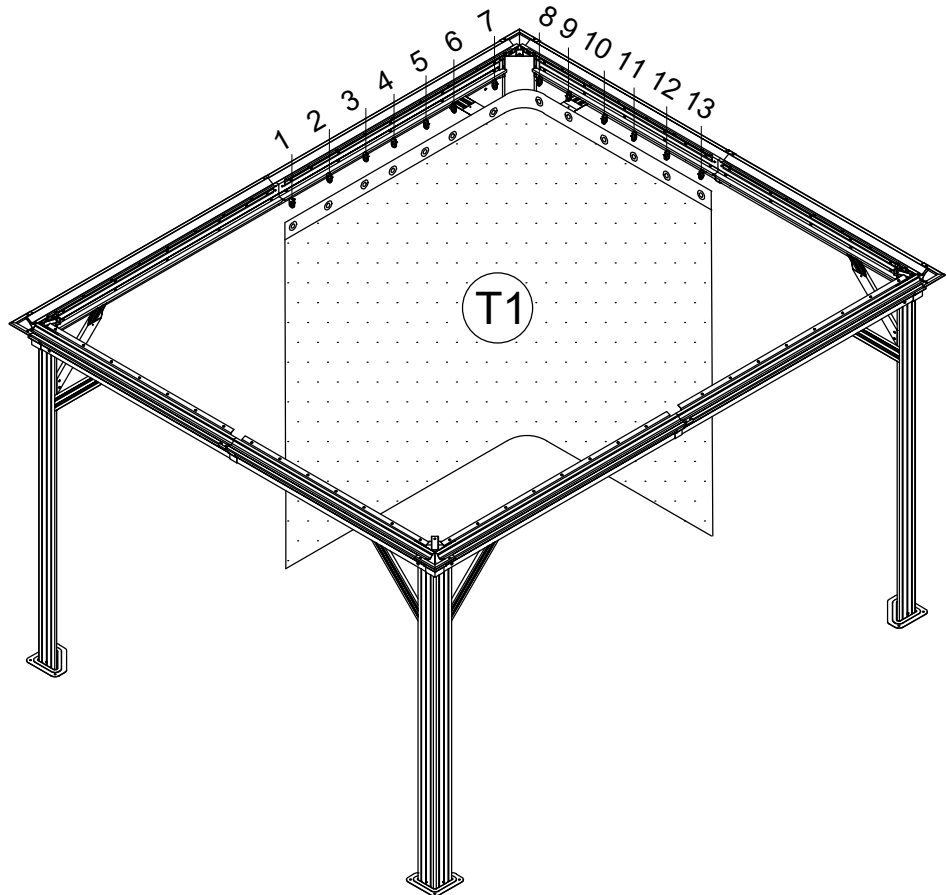
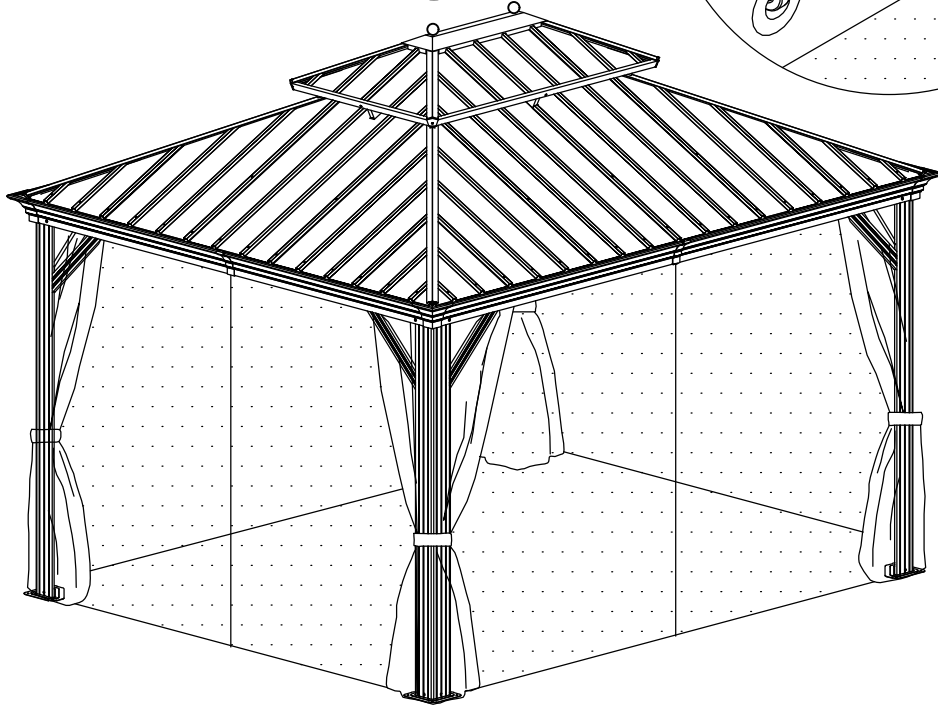
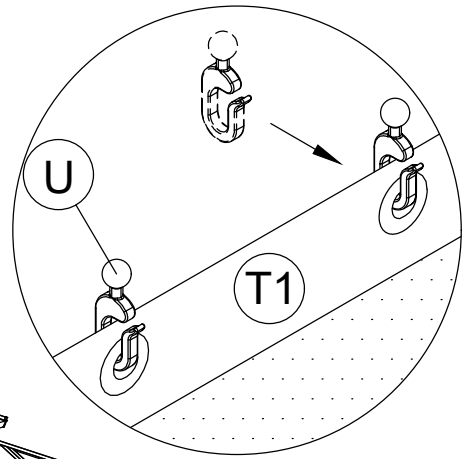
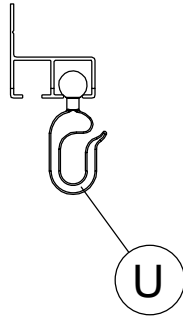
<21>

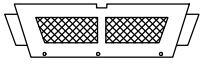




T1 4x

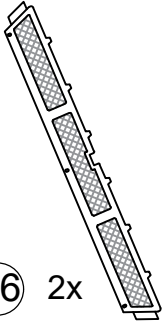
<22>





<23>

V1 2x

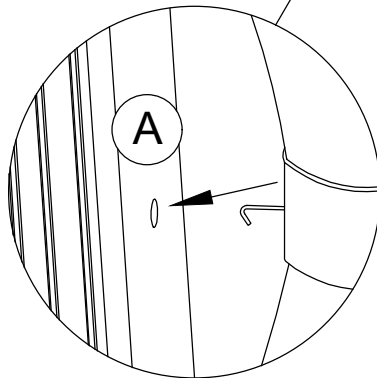
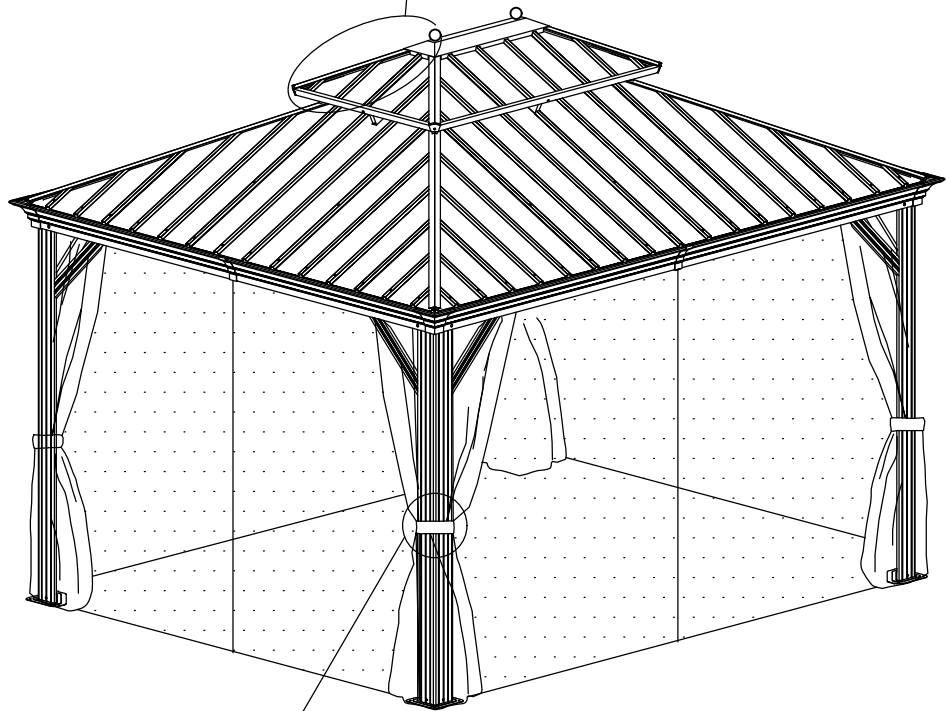
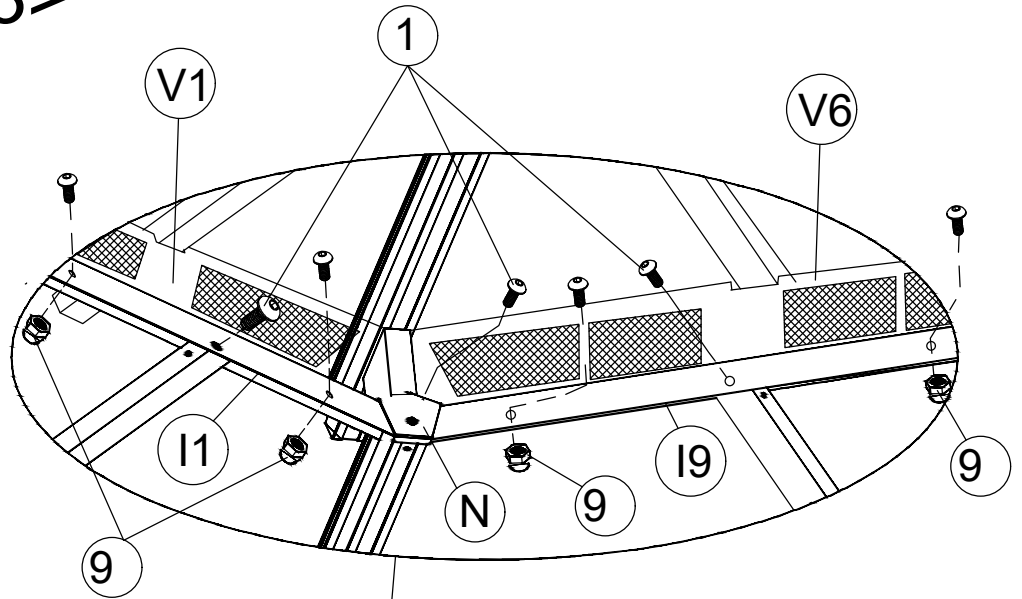


V6 2x



M6x10

9 8x



Carton-1/3		Carton-2/3		Carton-3/3	
Part	Qty	Part	Qty	Part	Qty
A	4	D10	2	R1	4
E10	2	H	4	R2	4
E11	2	H1	4	Q3	4
E5	4	G1	2	Q4	4
P	4	I1	2	Q5	2
J	4	I9	2	Q6	2
Y	72	G9	2	Q7	2
U	104	L6	1	S1	4
1.2.4.5.6.7.8.9.10. 11.12.13.14.15	1	M2b	1	S2	4
		K	4	S3	2
		K1	4	F7	4
		N	8	F9	4
		W	4	T1	4
		W1	4	T	4
		W3	8		
		W4	8		
Carton-2/3		V	4		
Part	Qty	Z	48		
B1	2	Z1	16		
B2	2	Z2	8		
B9	2	V1	2		
B10	2	V6	2		
E19	4	Za	2		
C1	2				
C2	2				
C9	2				
C10	2				
D1	2				
D2	2				
D9	2				