



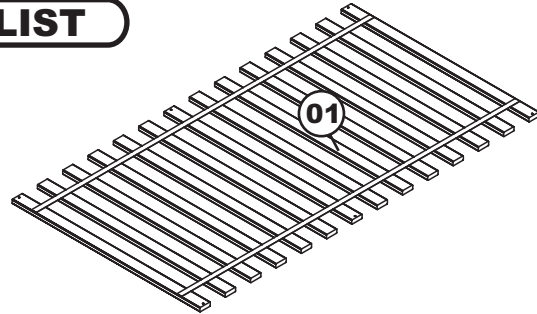
# KIT TWIN XL

## ASSEMBLY INSTRUCTION ( TWIN )

Before assembling your bed kit, please read through these instructions carefully and familiarize yourself with the different parts. Please note that you will require a Phillips screwdriver.

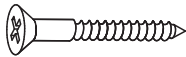
### PARTS LIST

01 KIT 1 SET



NOTE: WE INCLUDE SPARE HARDWARE IN CASE THE WOOD SCREWS ARE DAMAGED DURING ASSEMBLY.

A



1 1/4" Wood screw - 6 pcs Spare - 2 pcs

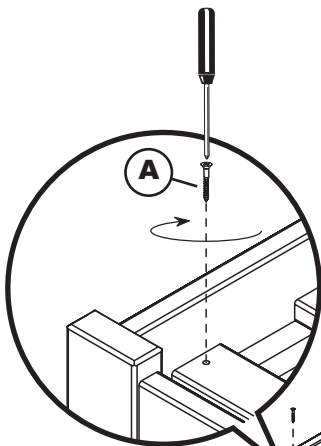
**HARDWARE**

### Step 1

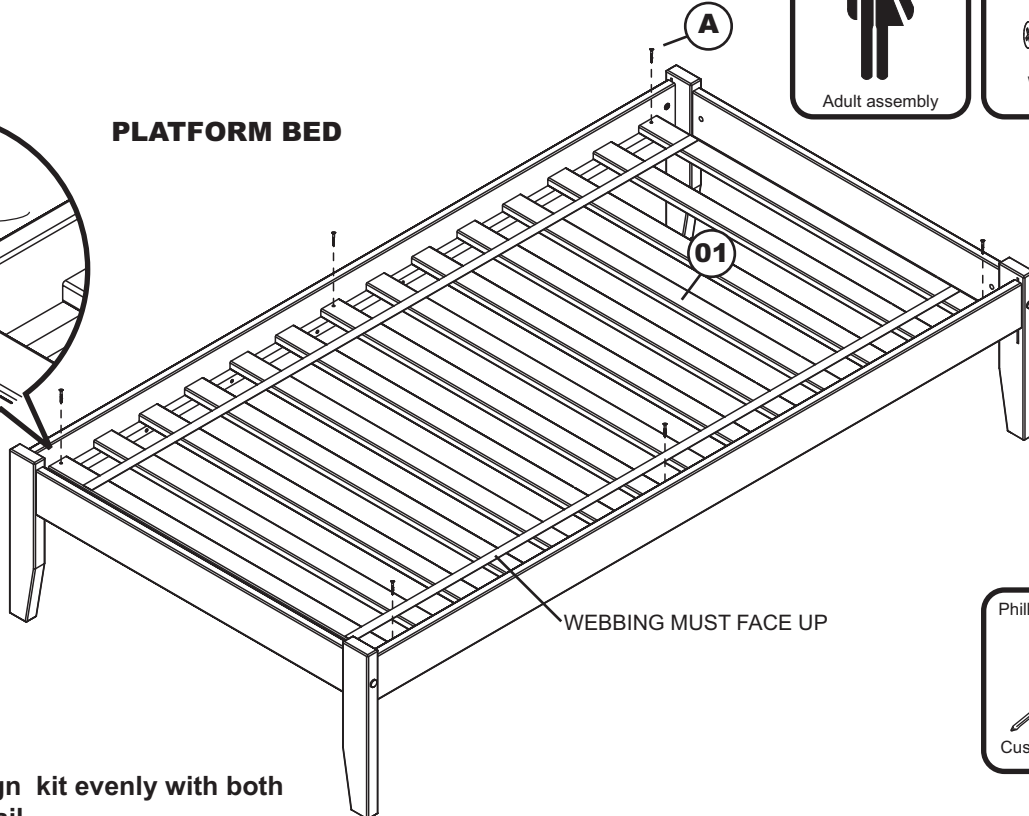
Assemble bed frame according to assembly instructions.

### Step 2

Lay the kit onto the bed.



**PLATFORM BED**



**Be sure to align kit evenly with both ends of side rail.**

Screw kit (01) to side rail, using wood screw (A).

Tighten with Phillips screwdriver.

Be sure the space between slats is even.

**NOTE: WEBBING MUST FACE UP**

**PO :**