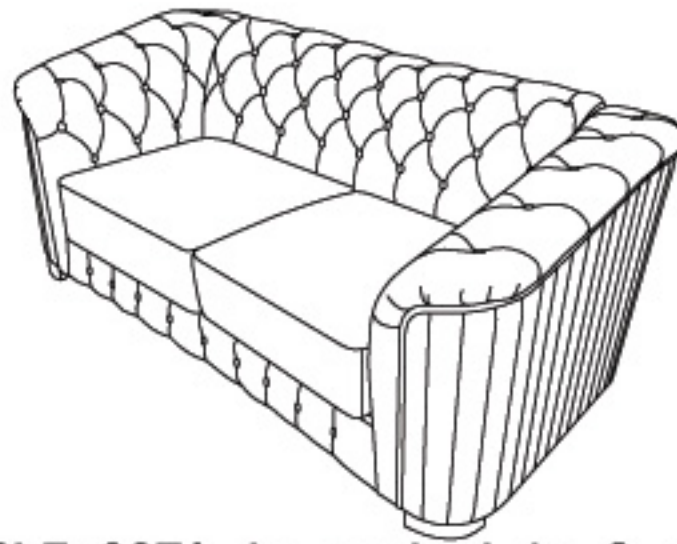









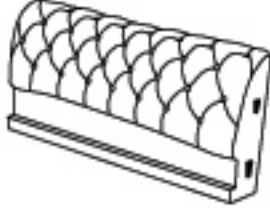
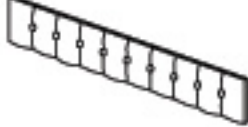





# ASSEMBLY INSTRUCTION

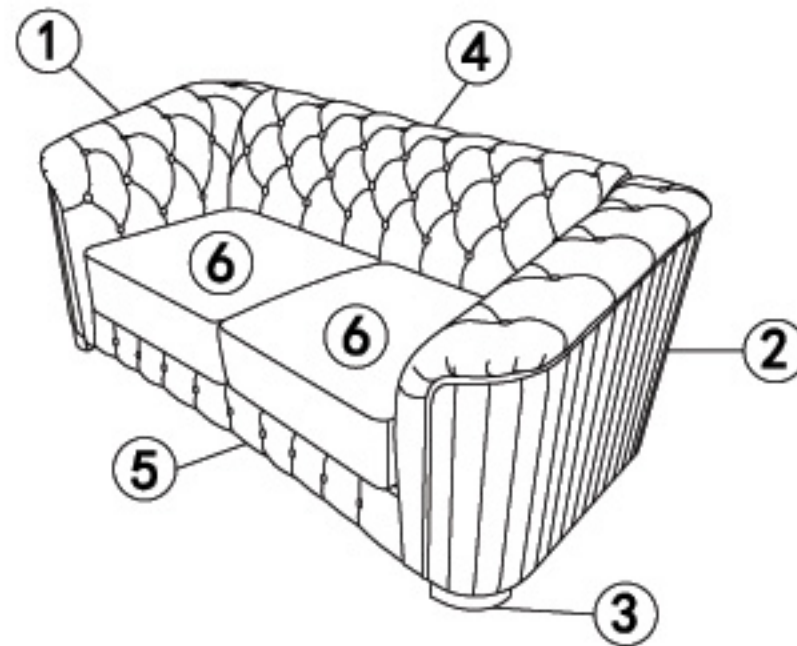
## SKU:N719P282874/N719P282876



**SINGLE SOFA is packed in 2 cartons**

Carton	Disignation	Part		Hardware	
N719P282874	Left Armrest	①		 Ax2	 Bx8
	Right Armrest	②		 Cx8	 Dx8
	Leg	③		 M4 Ex1	 M6 Fx1
N719P282876	Backrest	④			
	Front Board	⑤			
	Seat Cushion Filling	⑥			
	Seat Cushion Cover	⑦			
	Seat Frame	⑧			

# ASSEMBLY INSTRUCTION



## PART LIST

① 1pc



**Left Armrest**

② 1pc



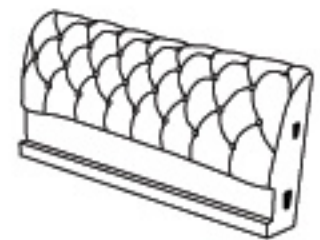
**Right Armrest**

③ 4pcs



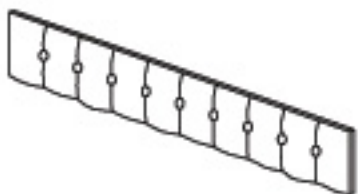
**Leg**

④ 1pc



**Backrest**

⑤ 1pc



**Front Board**

⑥ 2pcs



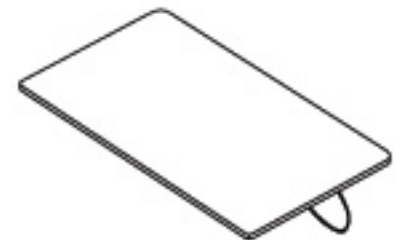
**Seat Cushion Filling**

⑦ 2pcs



**Seat Cushion Cover**

⑧ 1pc



**Seat Frame**

## HARDWARE LIST

**A 2pcs**



**B 8pcs**



**Flat washer**

**C 8pcs**



**Bolt**

**D 8pcs**



**Bolt**

**E 1pc**



**M4  
Allen Key**

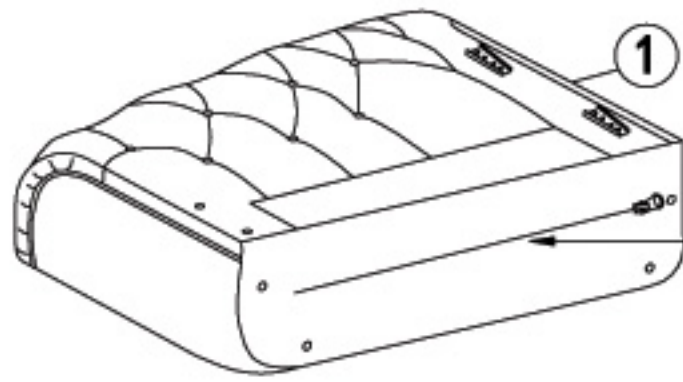
**F 1pc**



**M6  
Allen Key**

# ASSEMBLY INSTRUCTION

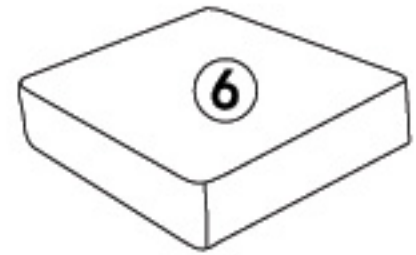
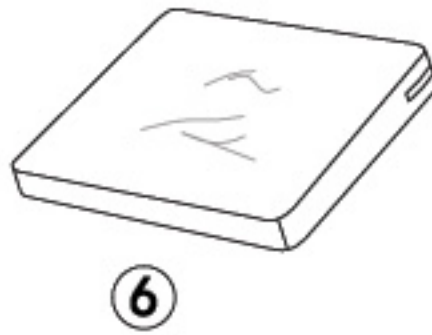
## STEP 1:



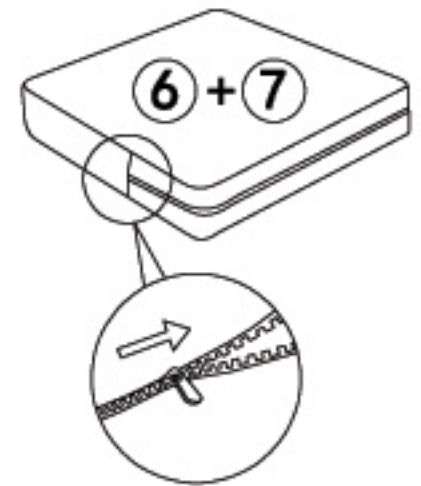
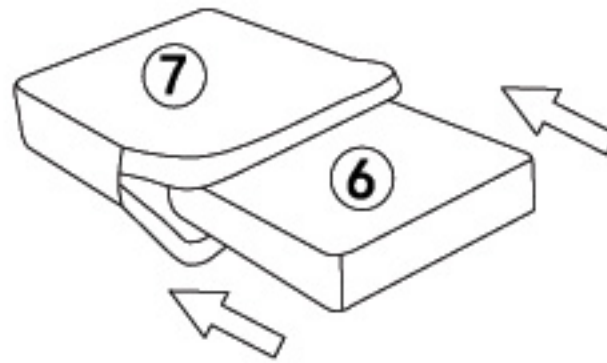
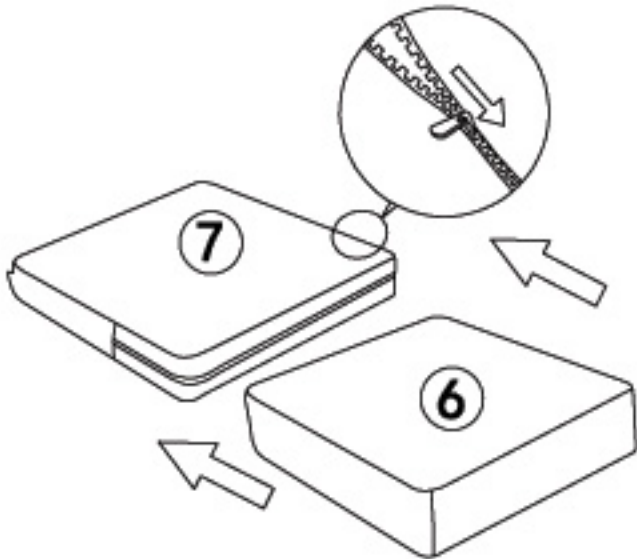
③ 4pcs	A 2pcs	C 8pcs	D 8pcs
B 8pcs	E 1pc	F 1pc	

Take out hardware

## STEP 2:

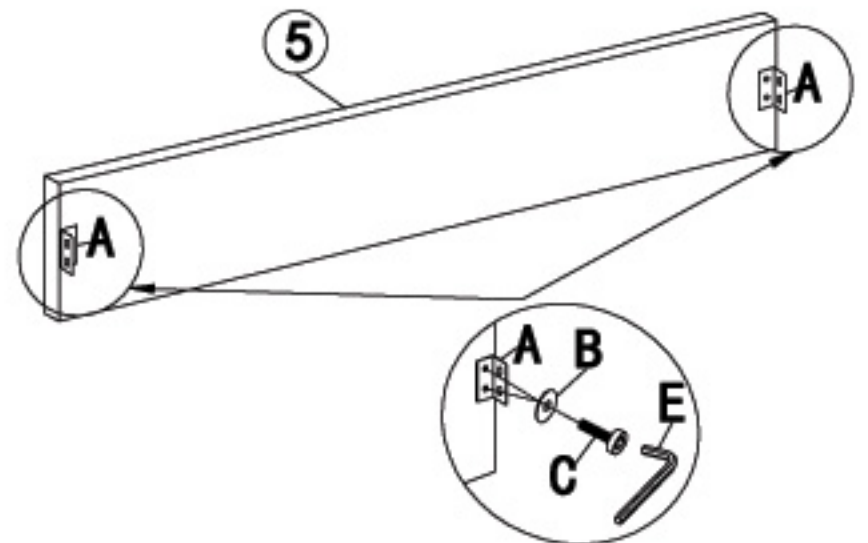
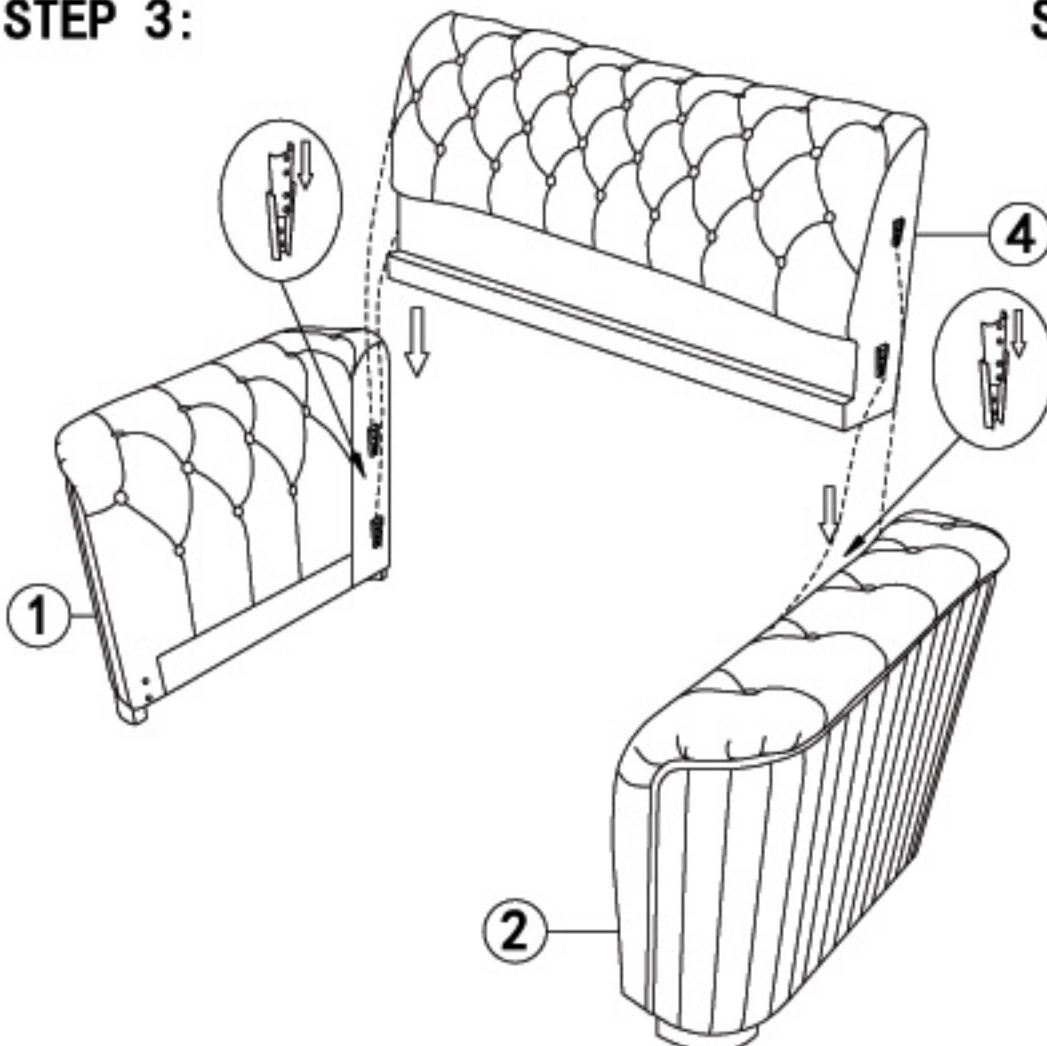


Please wait for 72 hours.



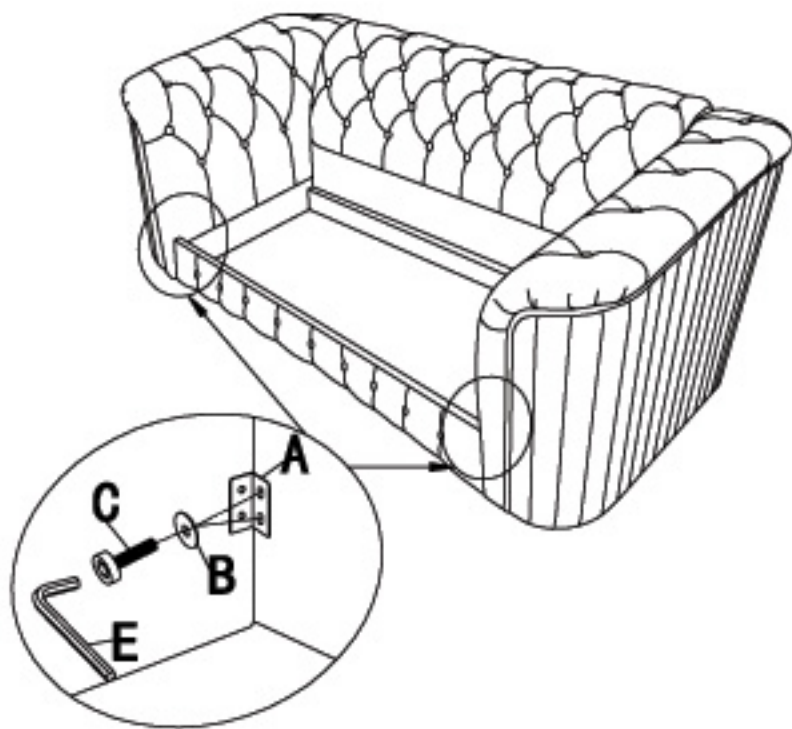
## STEP 3:

## STEP 4:

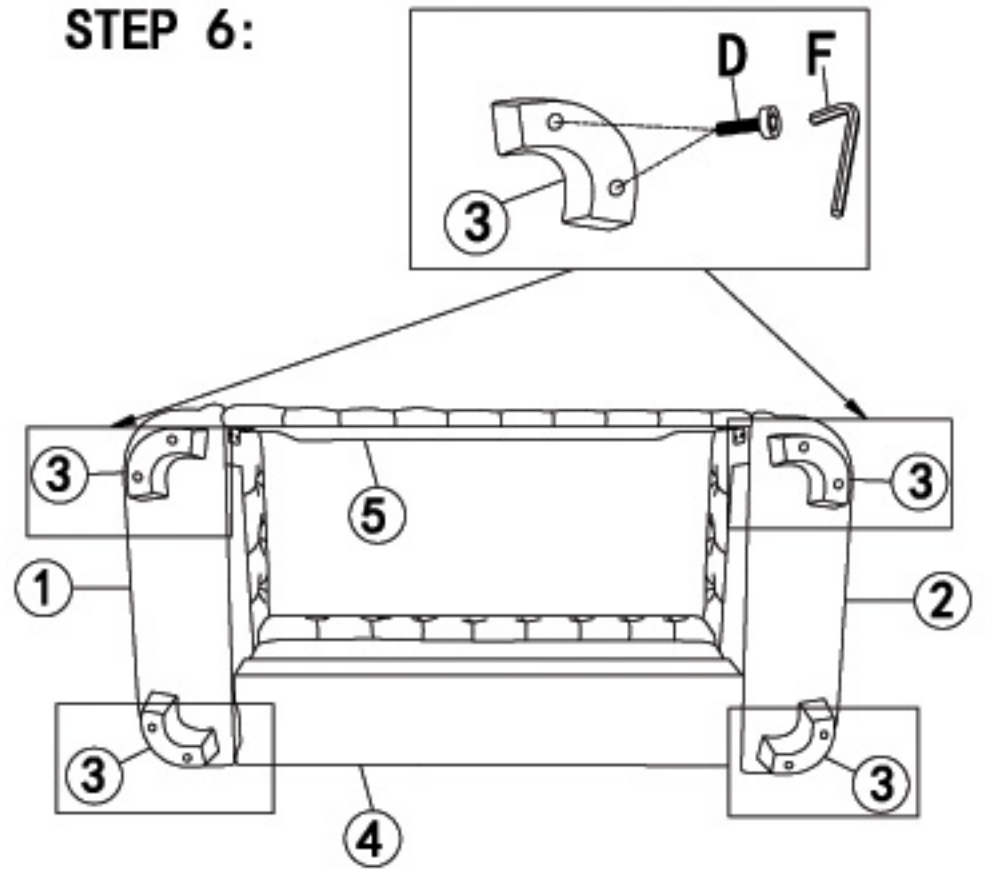


# ASSEMBLY INSTRUCTION

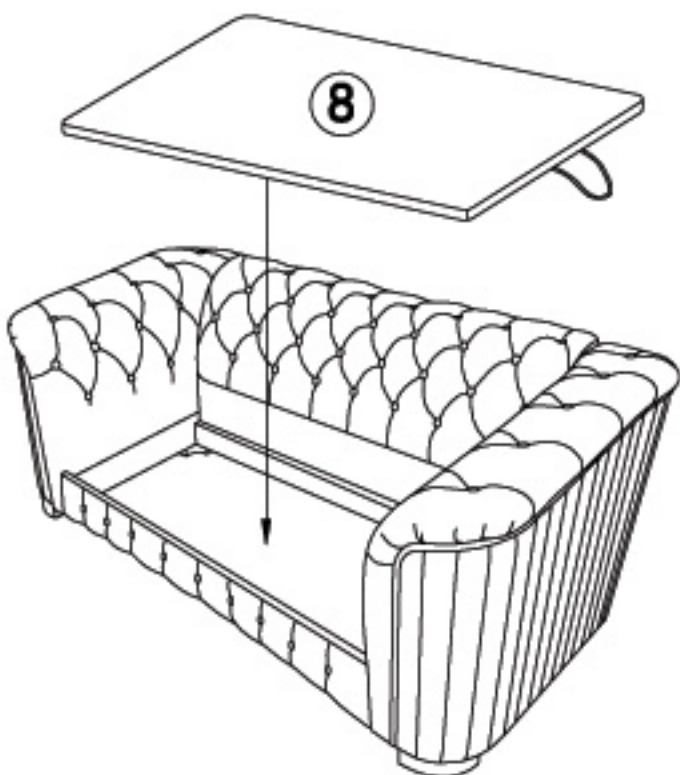
STEP 5:



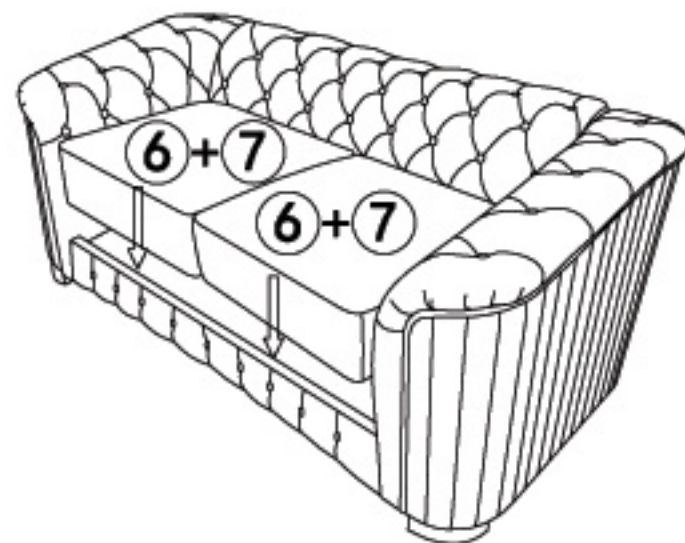
STEP 6:



STEP 7:



STEP 8:



STEP 9:

