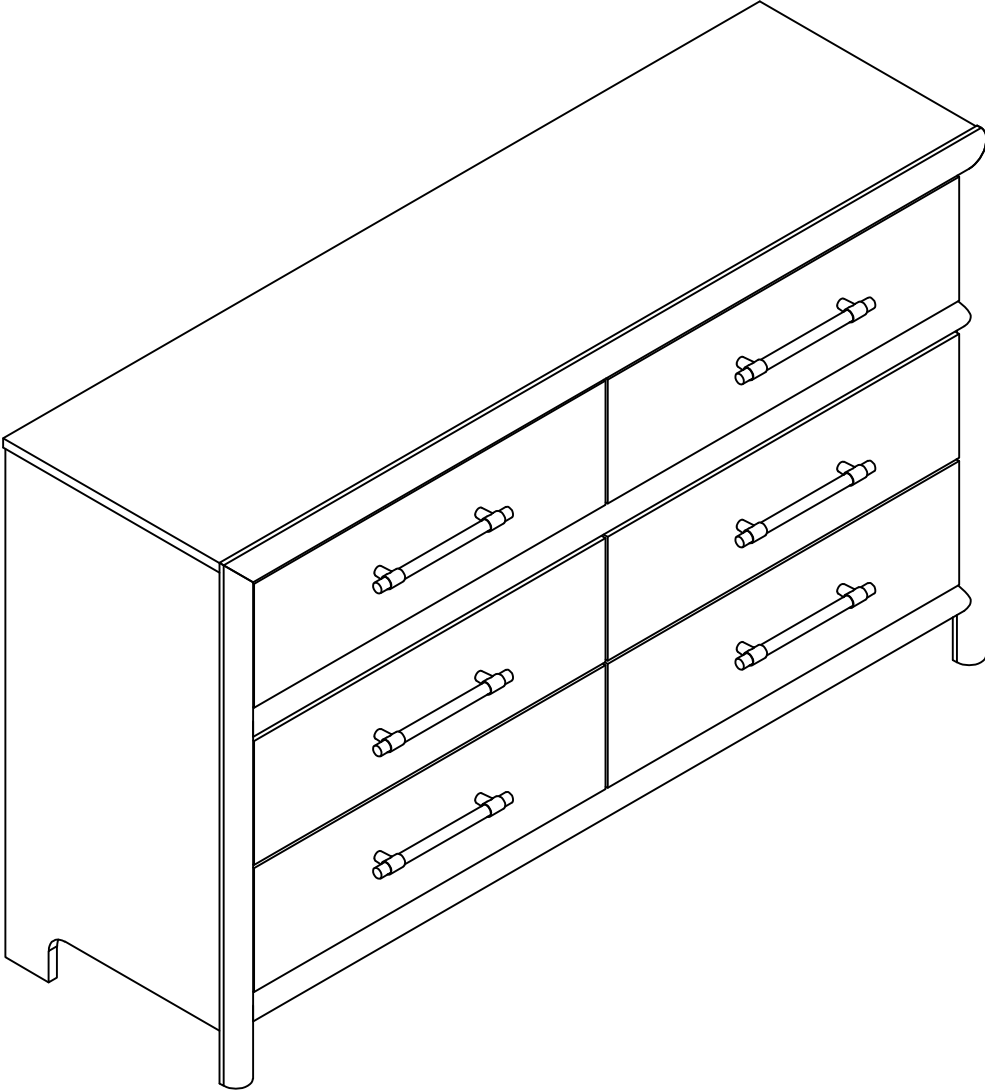
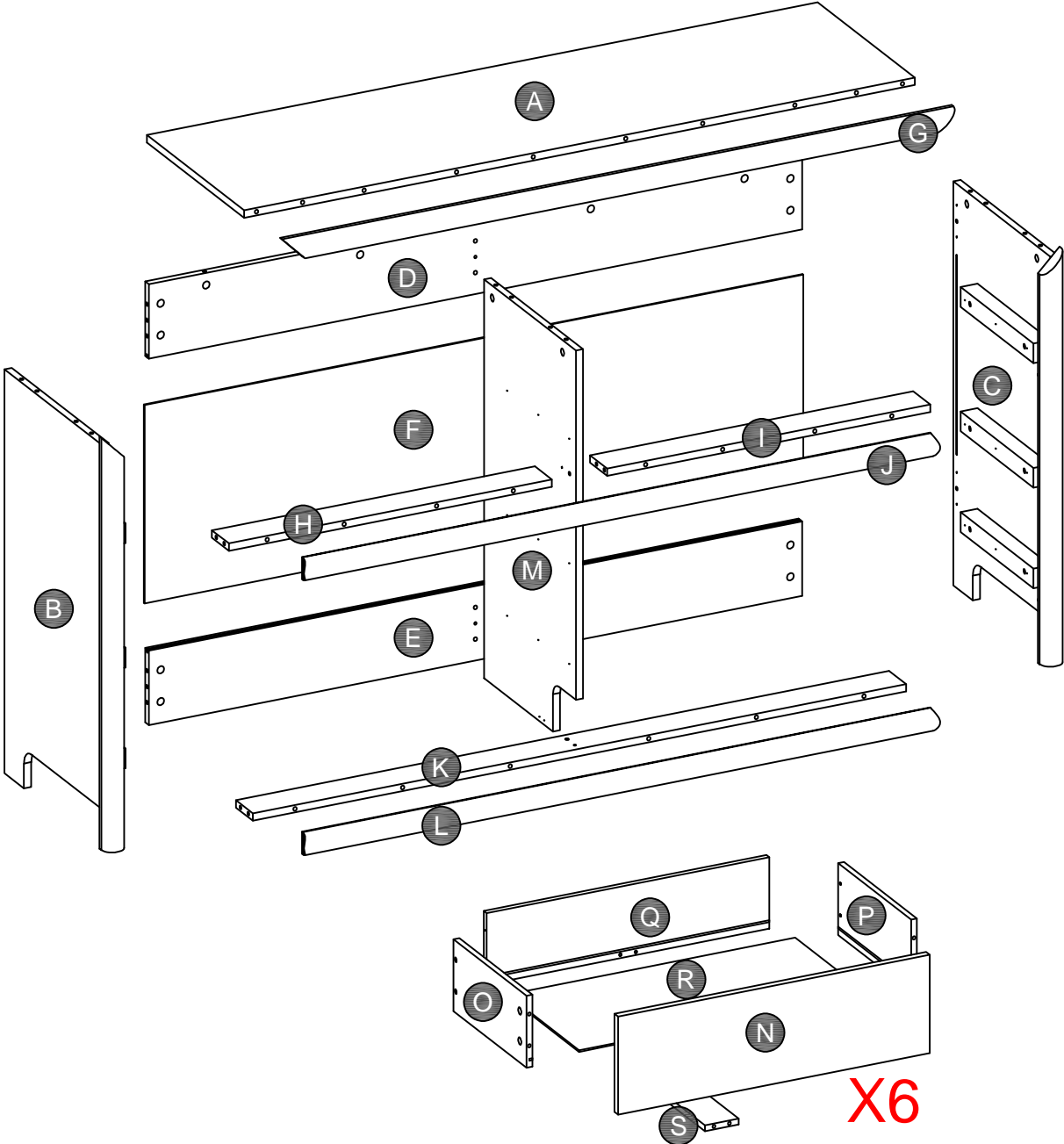


B2504B-6

B2504L-6



Part Identification

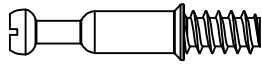


Hardware Identiflcation

① HIDDEN CAM A -38



② CAM SCREW A -38



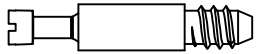
③ WOOD DOWEL Ø8x30mm - 31



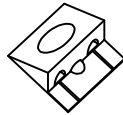
④ HIDDEN CAM A -36



⑤ CAM SCREW A -36



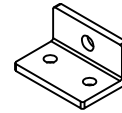
⑥ BACK CONNECTOR A -12



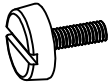
⑦ SHAKE HANDS -6



⑧ IRON ANGLE CODE -1



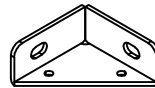
⑨ ADJUSTTHE FOOT SPIKES -1



⑩ ANTI TIPPING HARDWARE -2



⑪ IRON ANG CODE -2



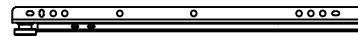
⑫ FLAT HEAD SCREW-72 #6.5x1/2"



L=12"
6x CABINET LEFT (CL)



L=12"
6x CABINET RIGHT (CR)

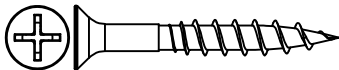


L=12"
6x DRAWER RIGHT (DR)



L=12"
6x DRAWER LEFT (DL)

⑬ FLAT HEAD SCREW-39 #10x1-1/2"



⑭ ROUND HEAD SCREW-10 #8*9/16"



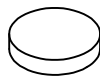
⑮ BACK FLAT HEAD SCREW -12 #6*5/8 "



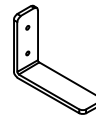
⑯ PAN HEAD BOLTS -12 5*32"x7/8"



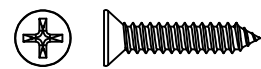
⑰ FELT MAT-4



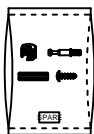
⑱ IRON ANGLE CODE -2



⑲ FLAT HEAD SCREW-4 #8*7/8"

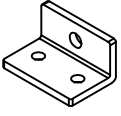


⑳ SPARE-1



STEP 1

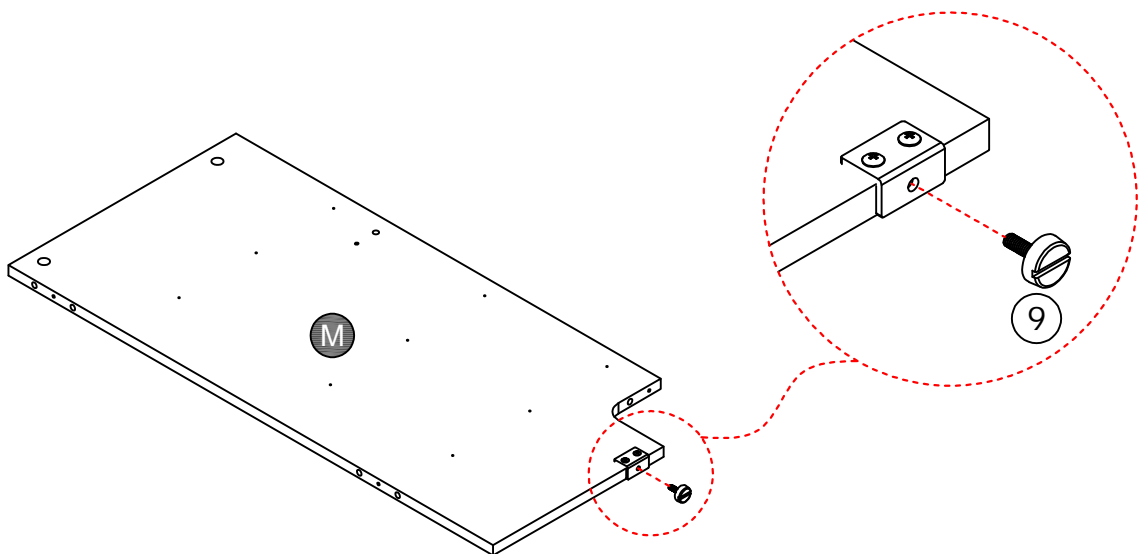
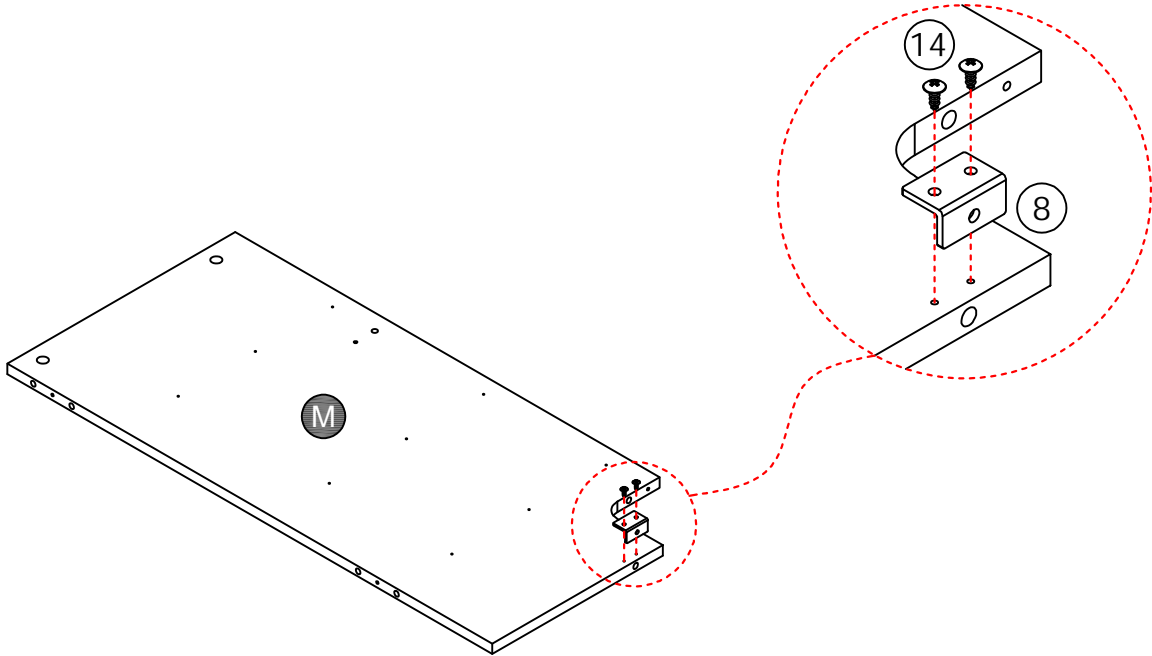
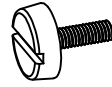
8 IRON ANGLE
CODE -1



14 ROUND HEAD SCREW-2
#8*9/16"

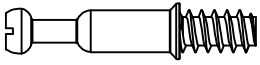


9 ADJUST THE
FOOT SPIKES -1



STEP 2

② CAM SCREW A-2



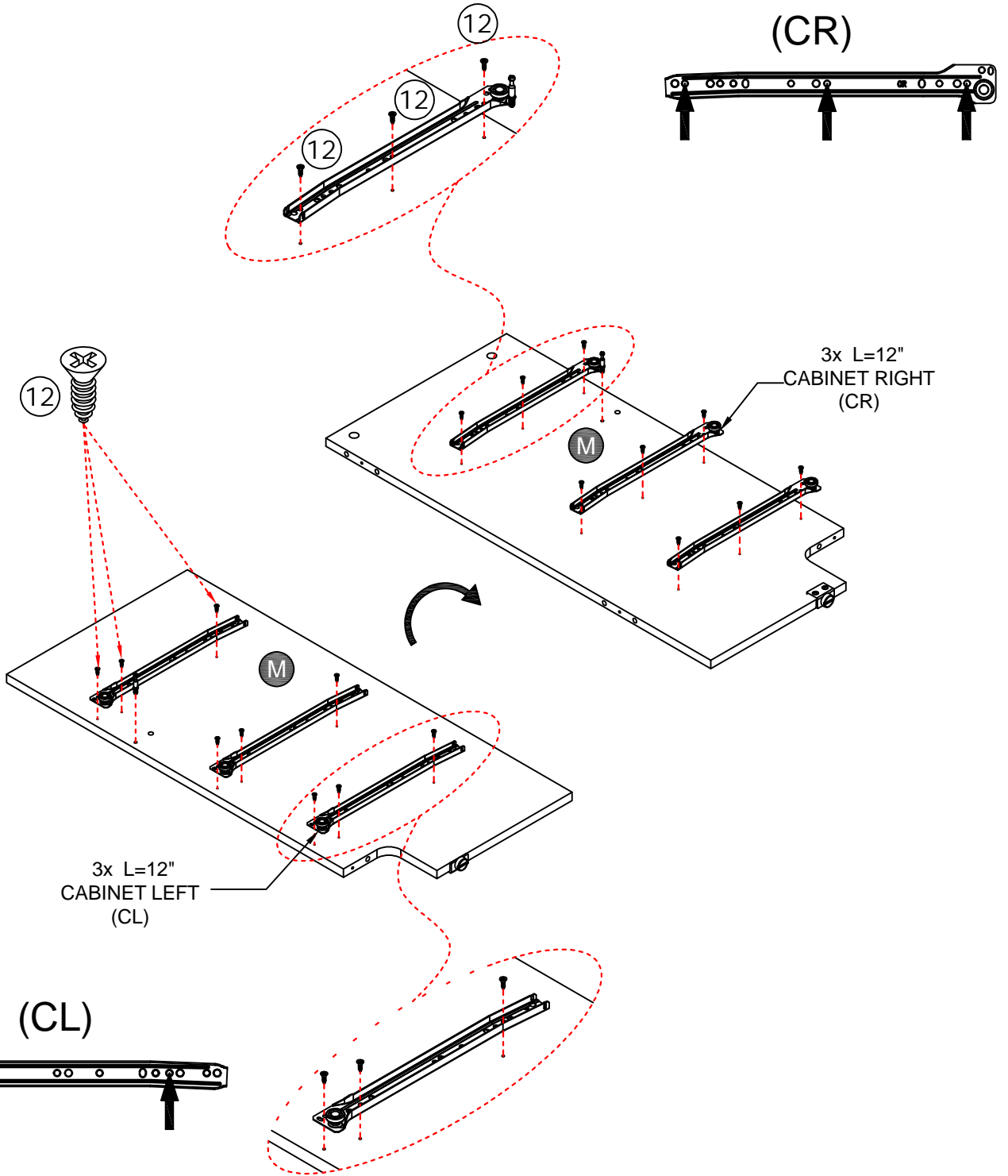
⑫ FLAT HEAD SCREW-18 #6.5x1/2"



L=12"
3x CABINET LEFT
(CL)



L=12"
3x CABINET RIGHT
(CR)

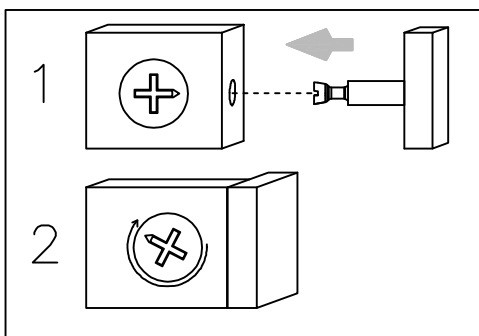
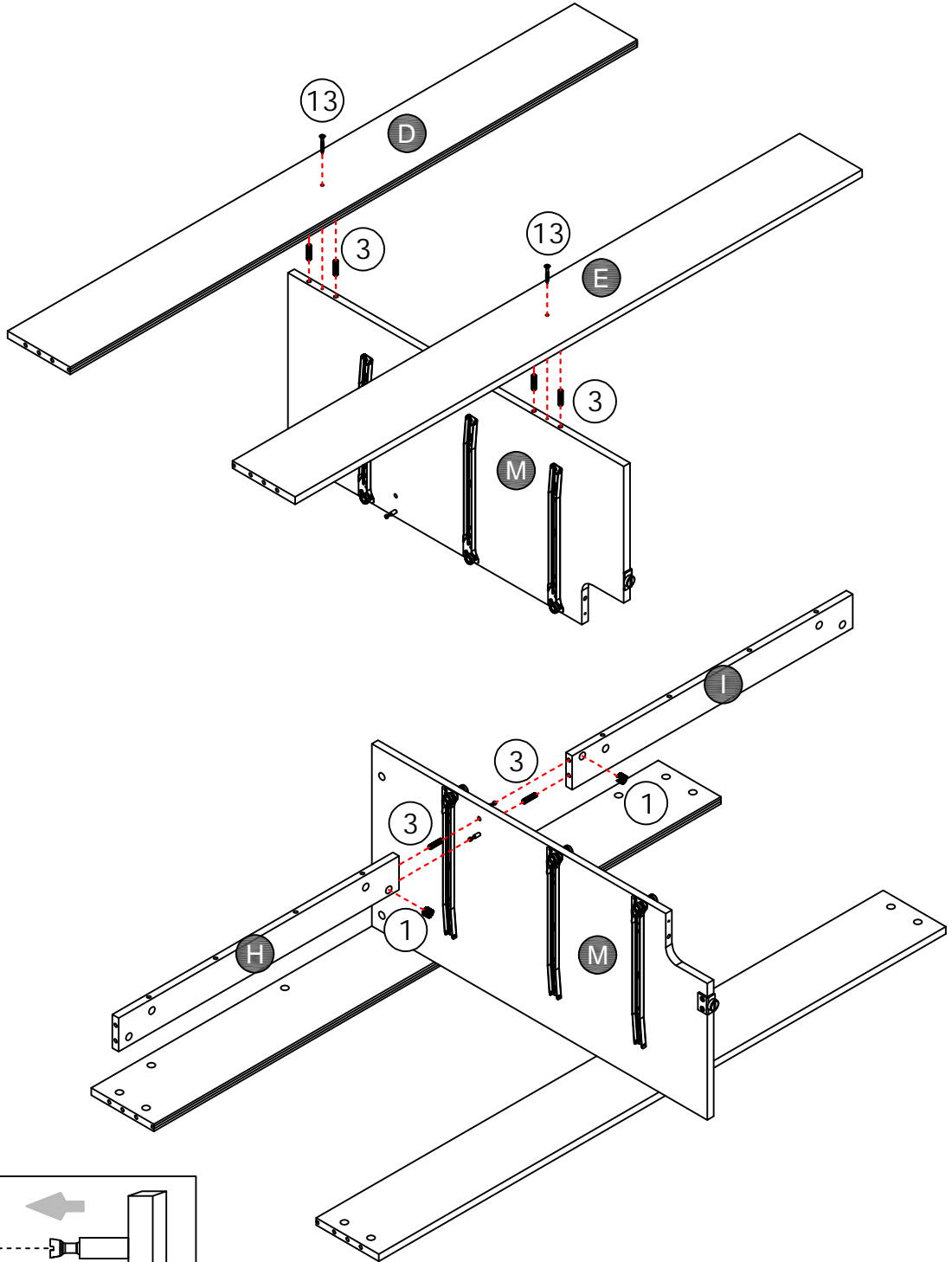
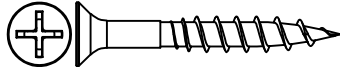


STEP 3

③ WOOD
DOWEL Ø8x30mm -6

⑬ FLAT HEAD SCREW-2
#10x1-1/2"

① HIDDEN
CAM A -2

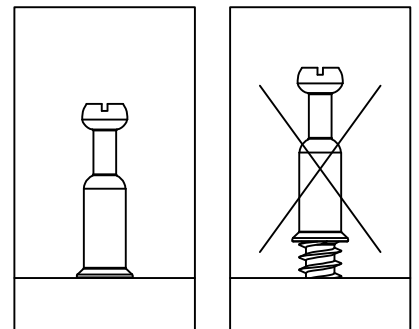
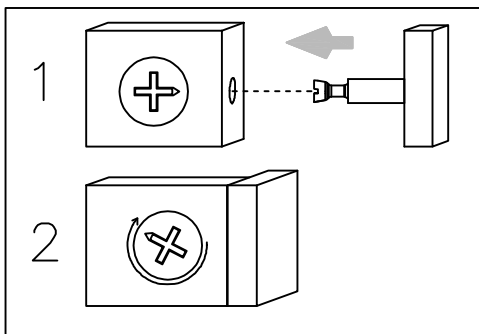
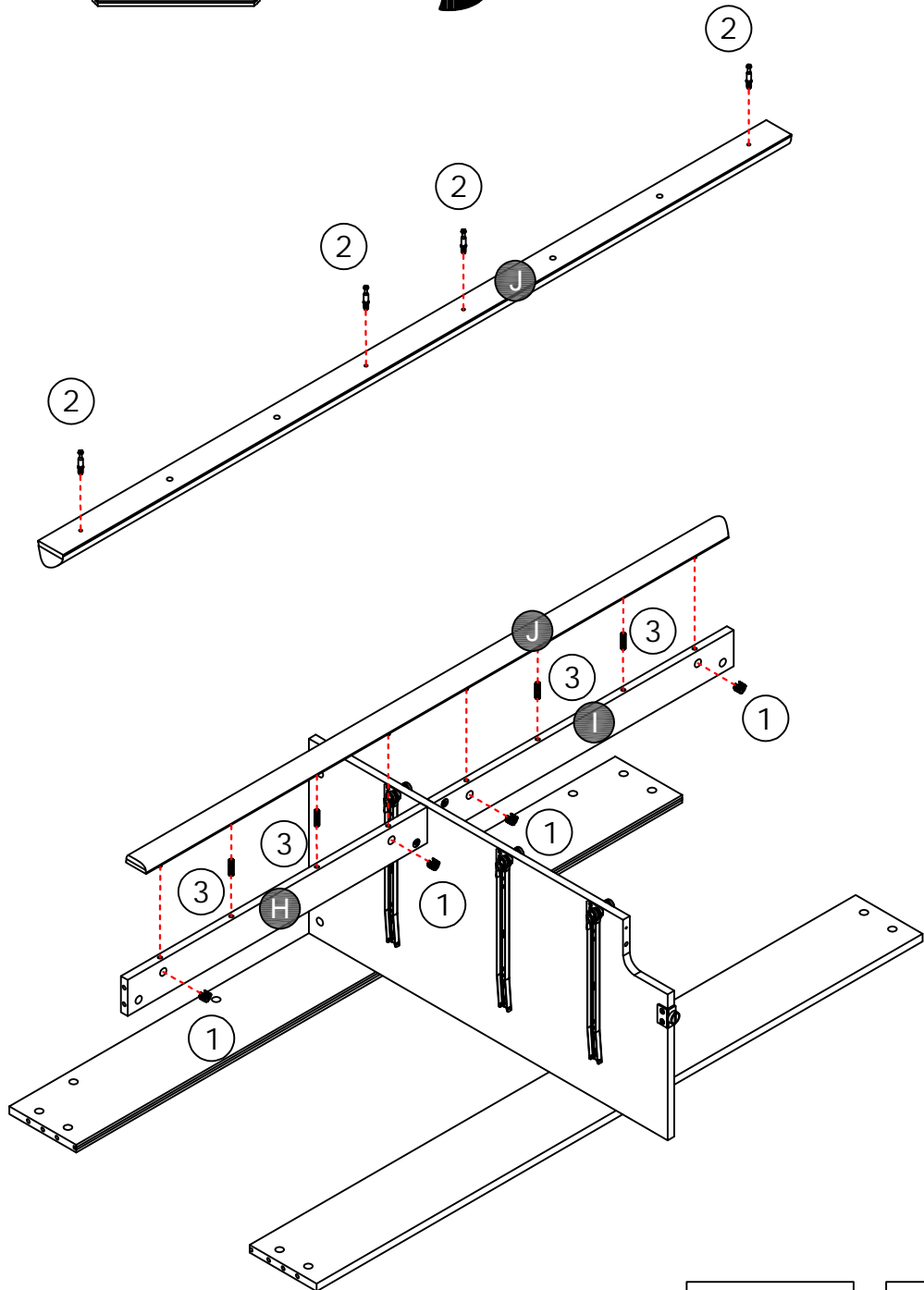
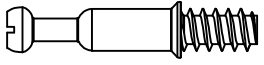


STEP 4

② CAM SCREW A -4

③ WOOD DOWEL Ø8x30mm -4

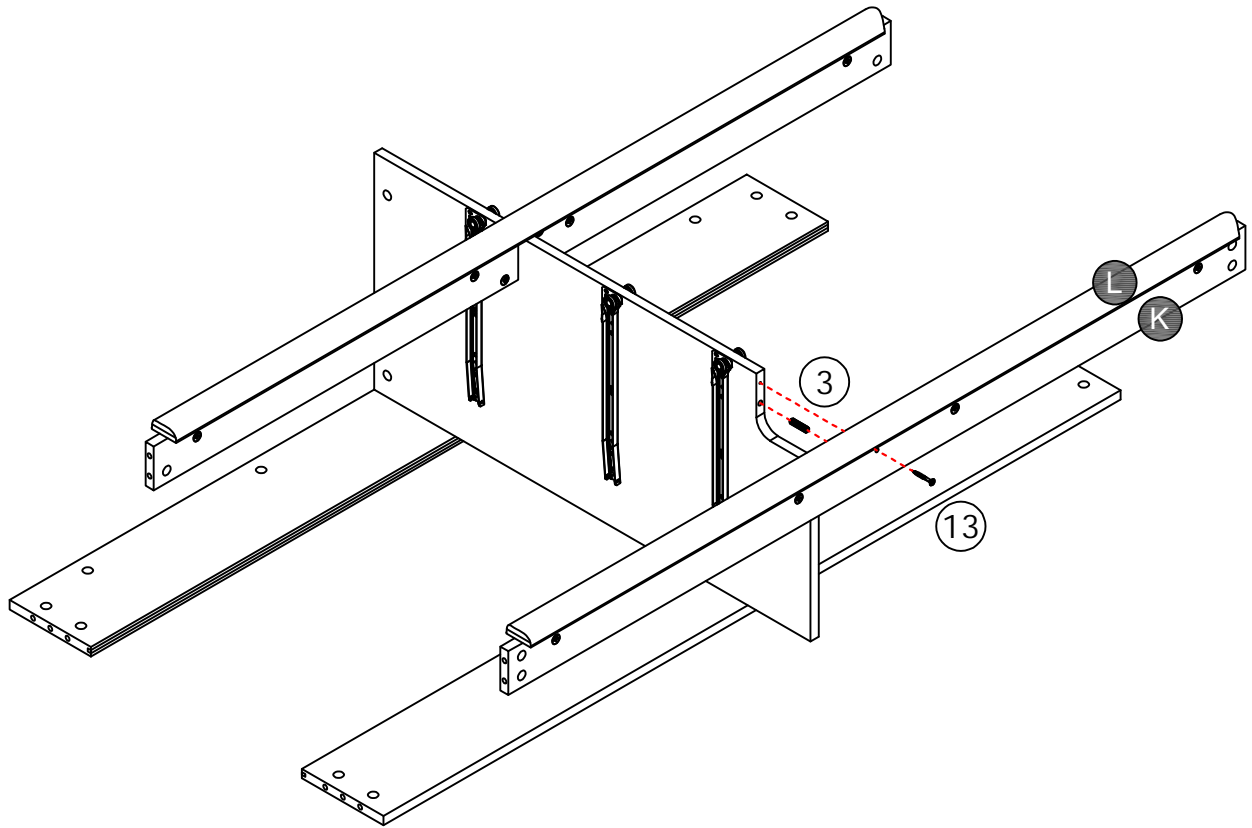
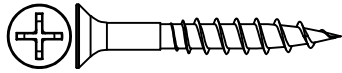
① HIDDEN CAM A -4



STEP 6

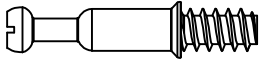
③ WOOD
DOWEL Ø8x30mm -1

⑬ FLAT HEAD SCREW-1
#10x1-1/2"



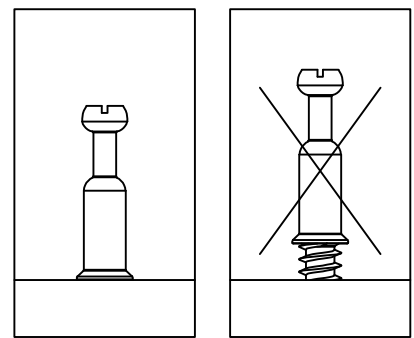
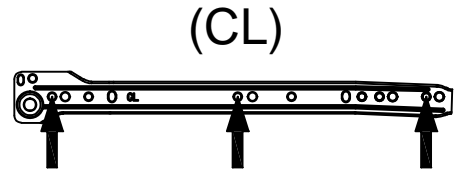
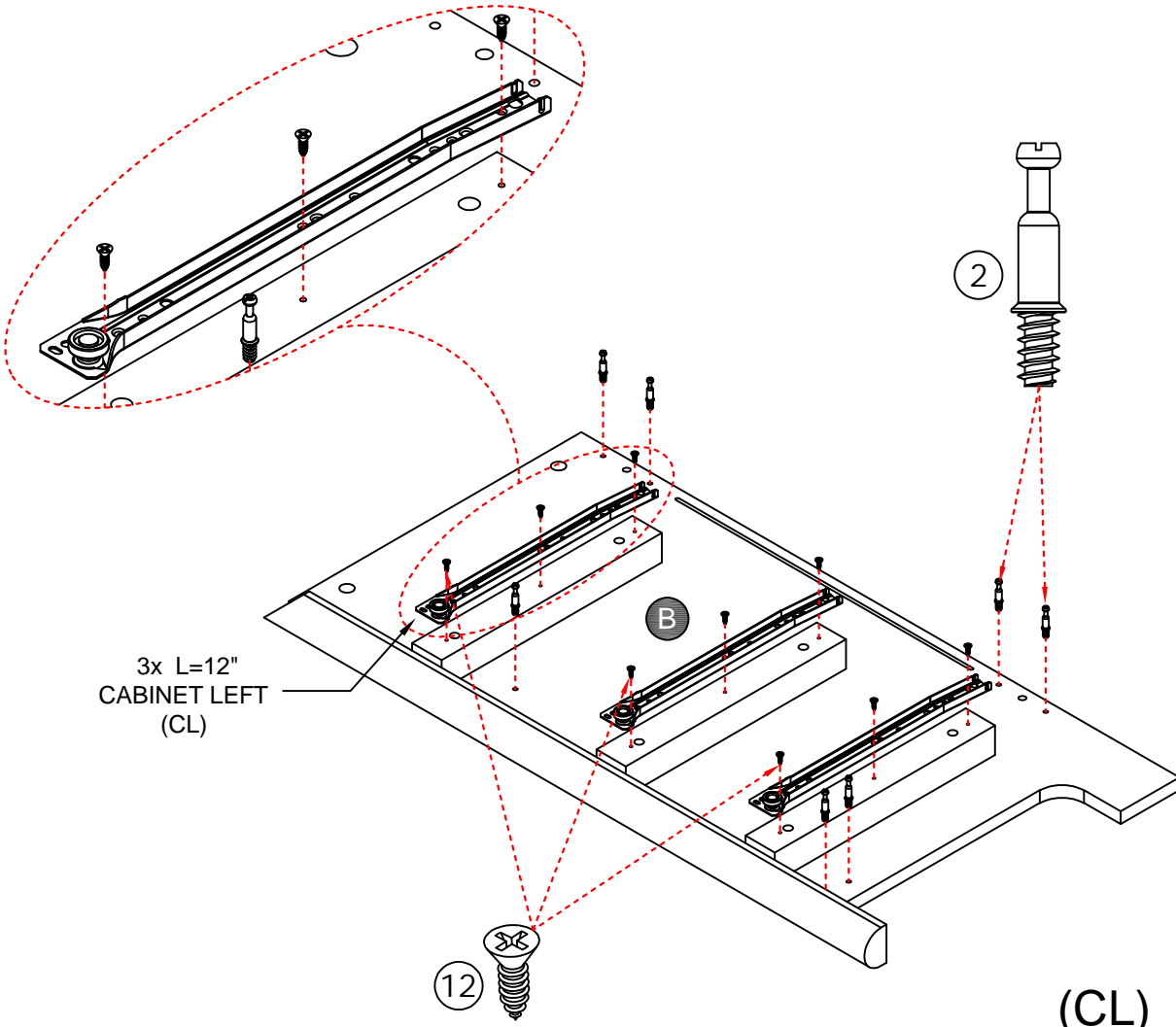
STEP 7

② CAM SCREW A-7



L=12"
3x CABINET LEFT
(CL)

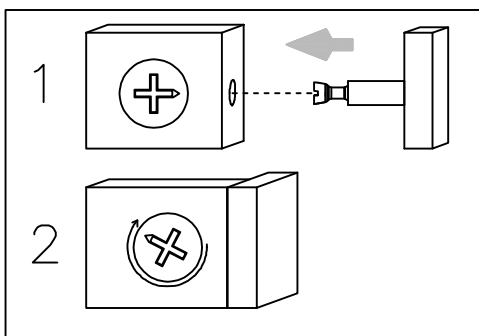
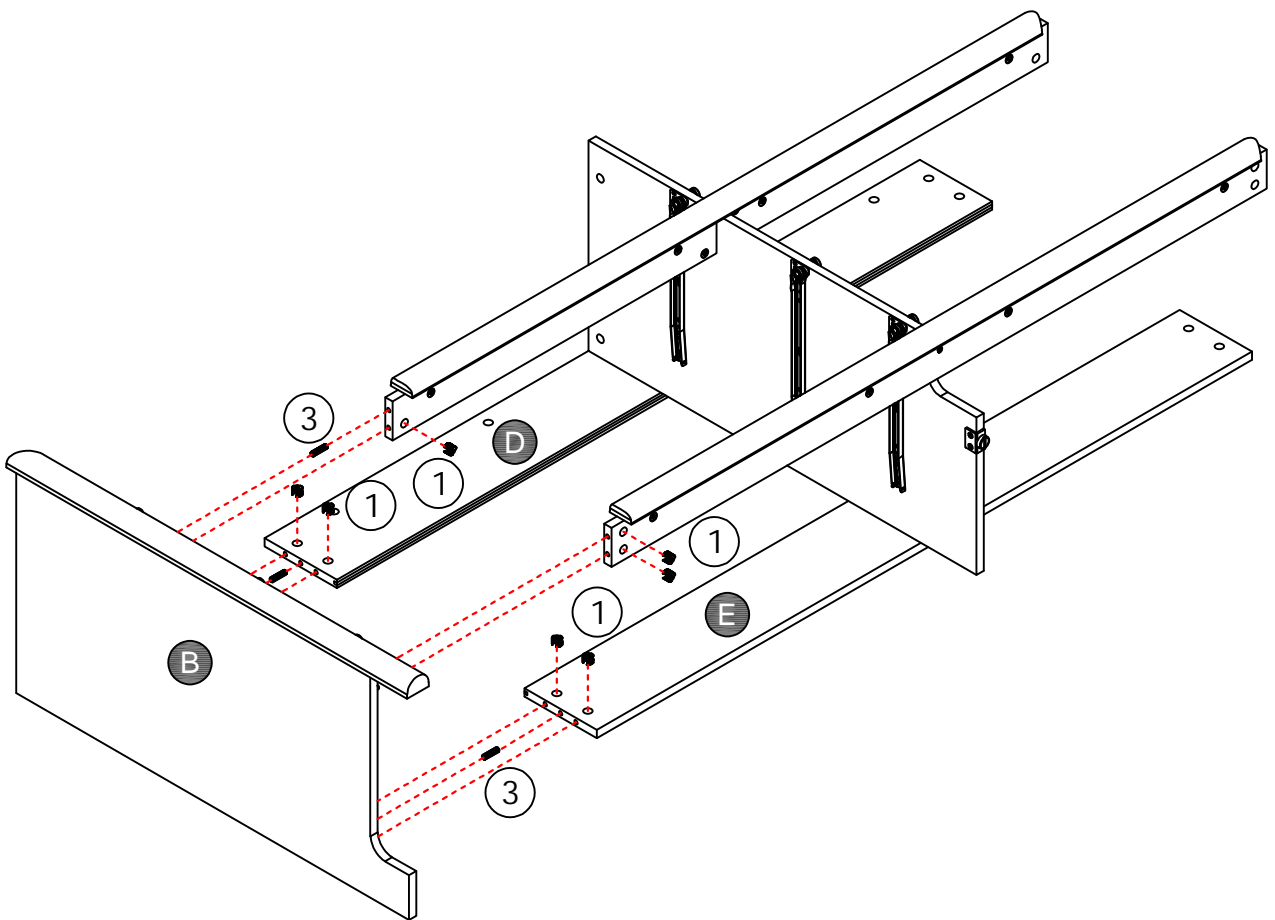
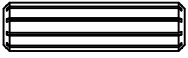
⑫ FLAT HEAD SCREW-9
#6.5x1/2"



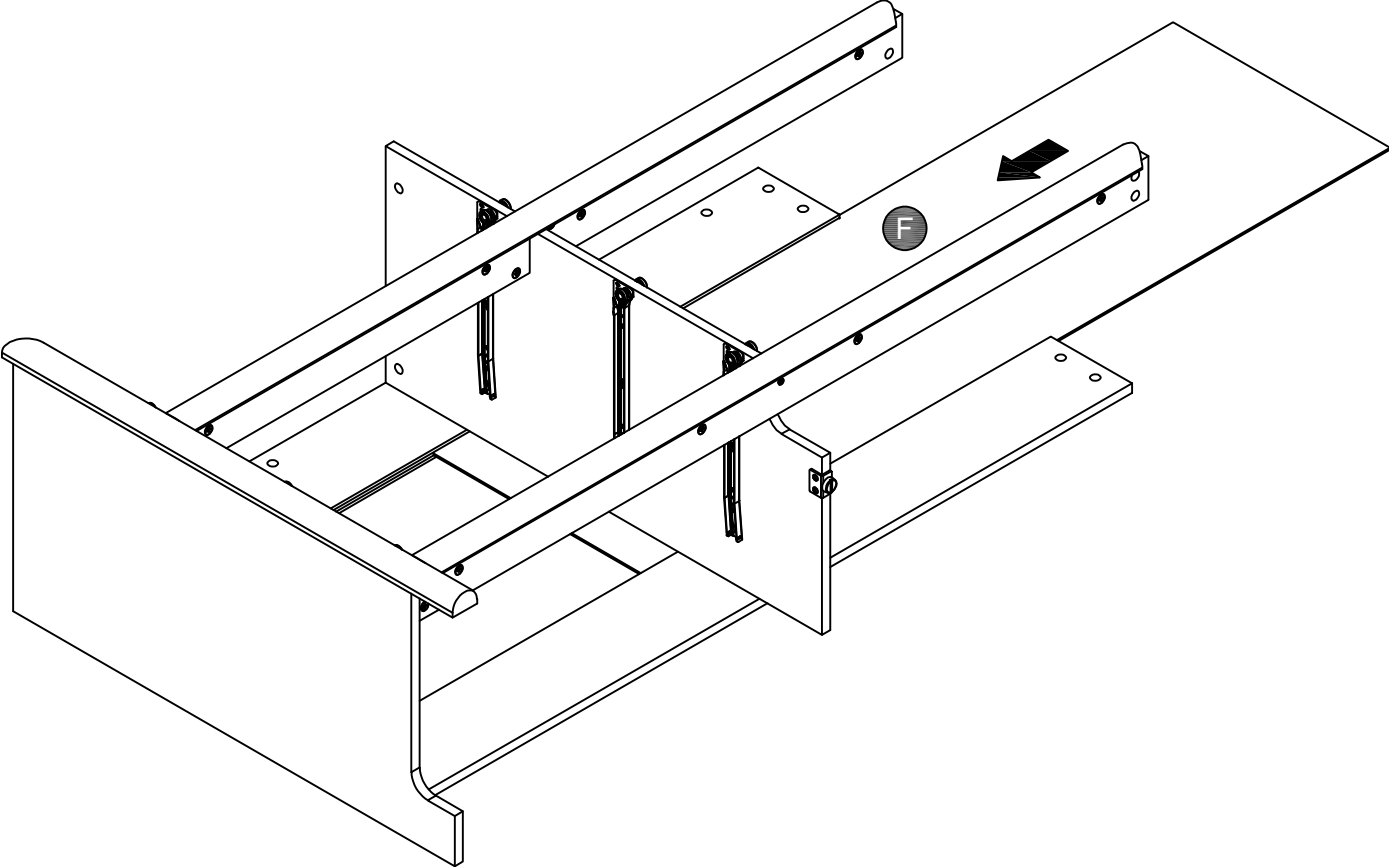
STEP 8

3 WOOD
DOWEL Ø8x30mm -3

1 HIDDEN
CAM A -7



STEP 9

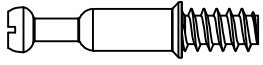


STEP 10

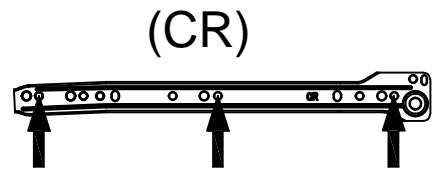
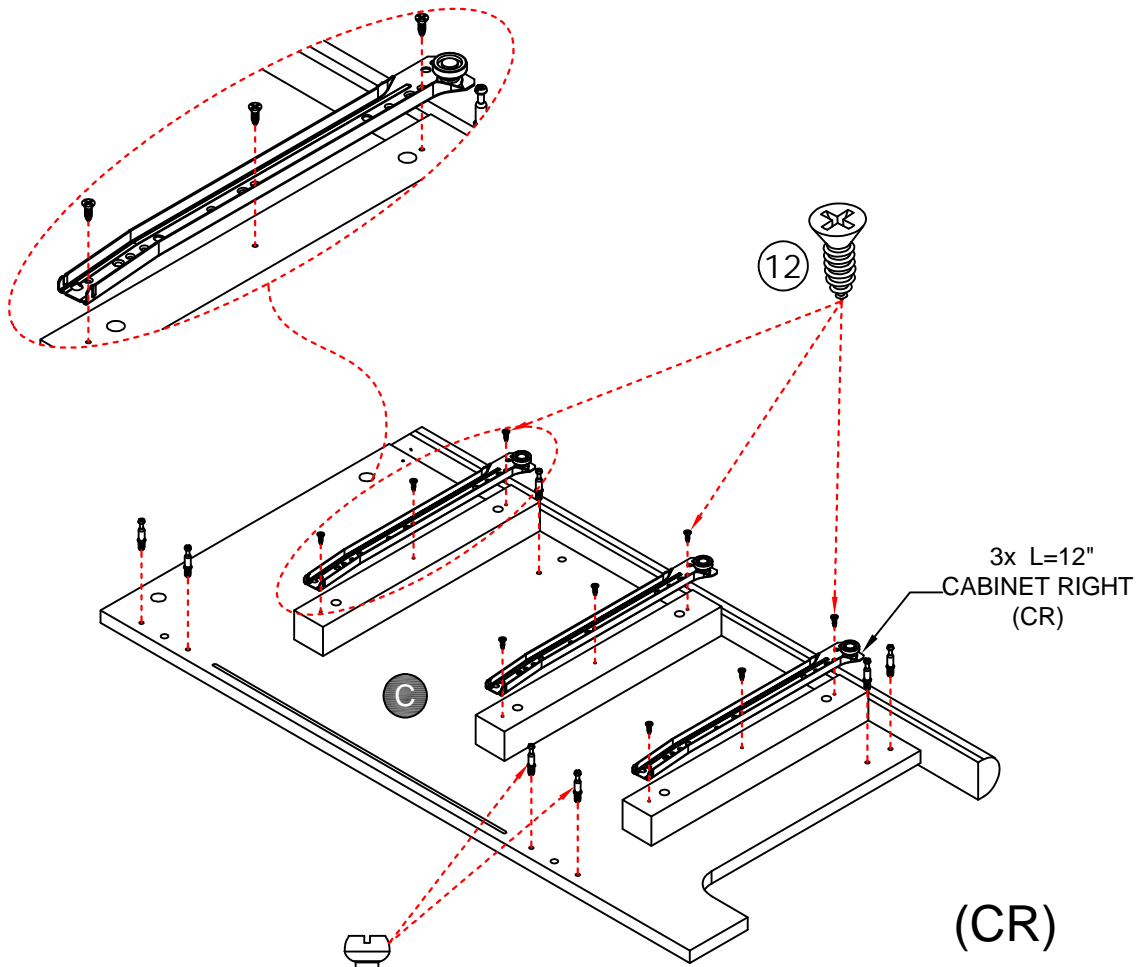
② CAM SCREW A-7



⑫ FLAT HEAD SCREW-9 #6.5x1/2"



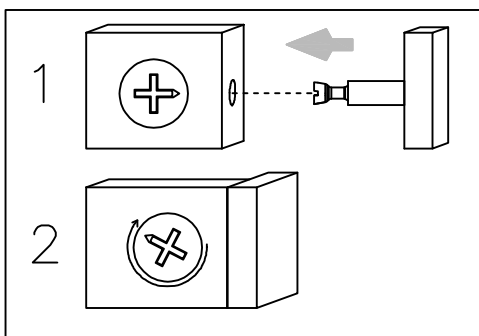
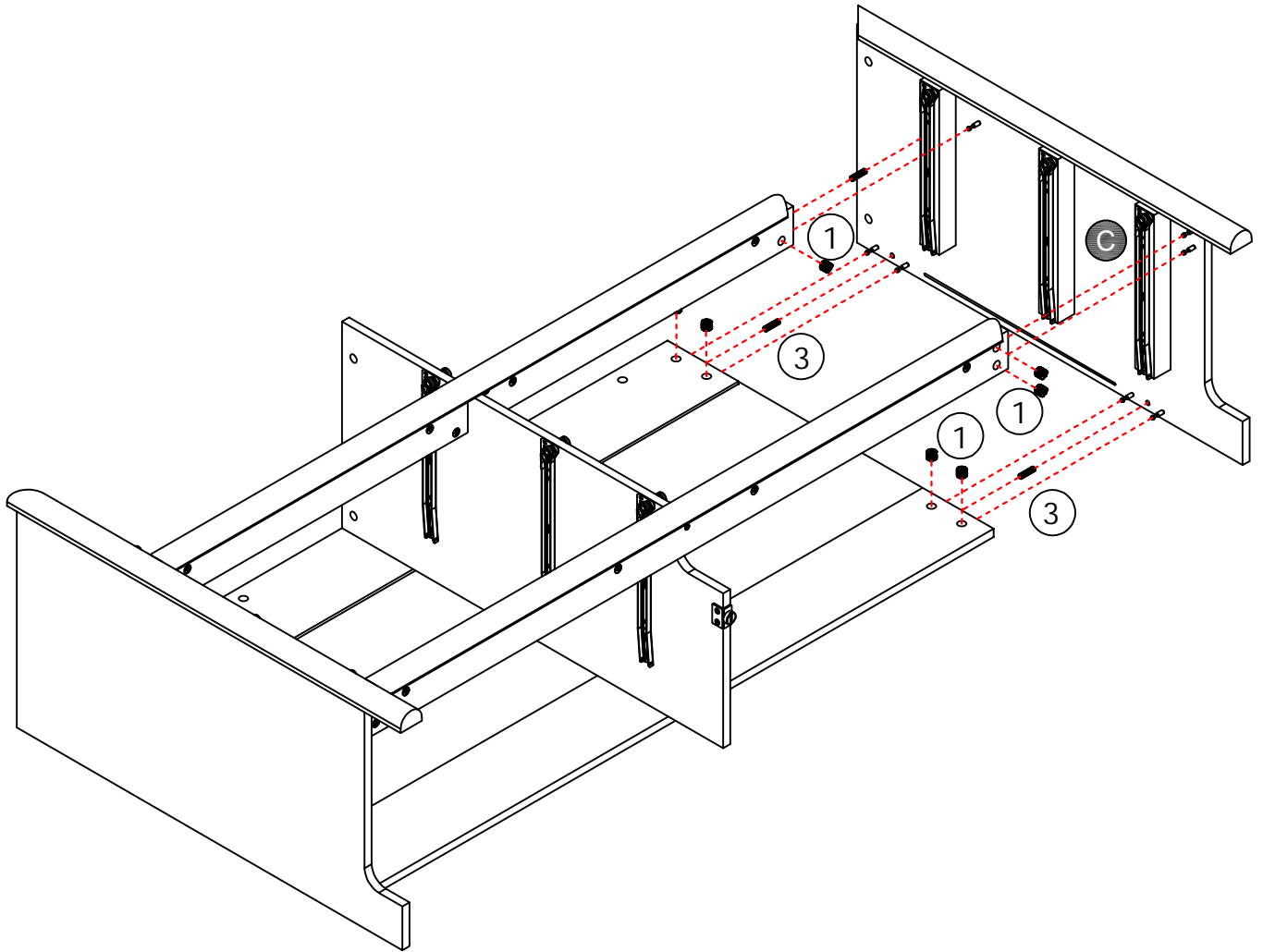
L=12"
3x CABINET LEFT
(CL)



STEP 11

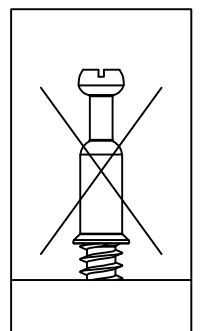
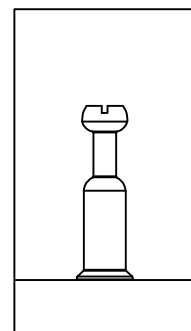
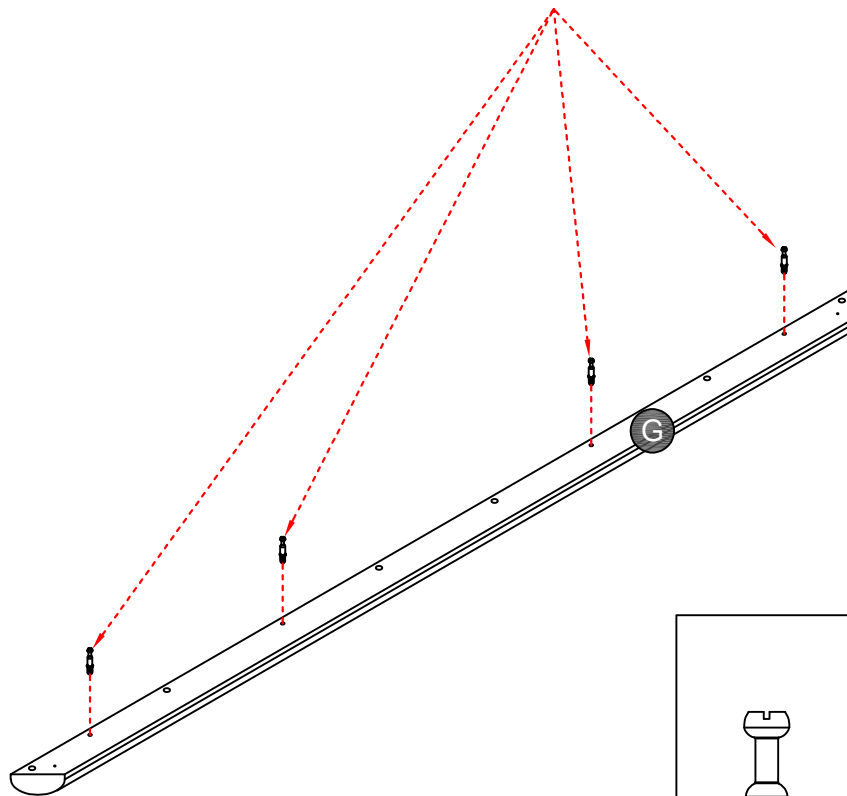
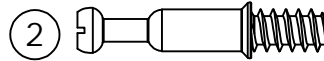
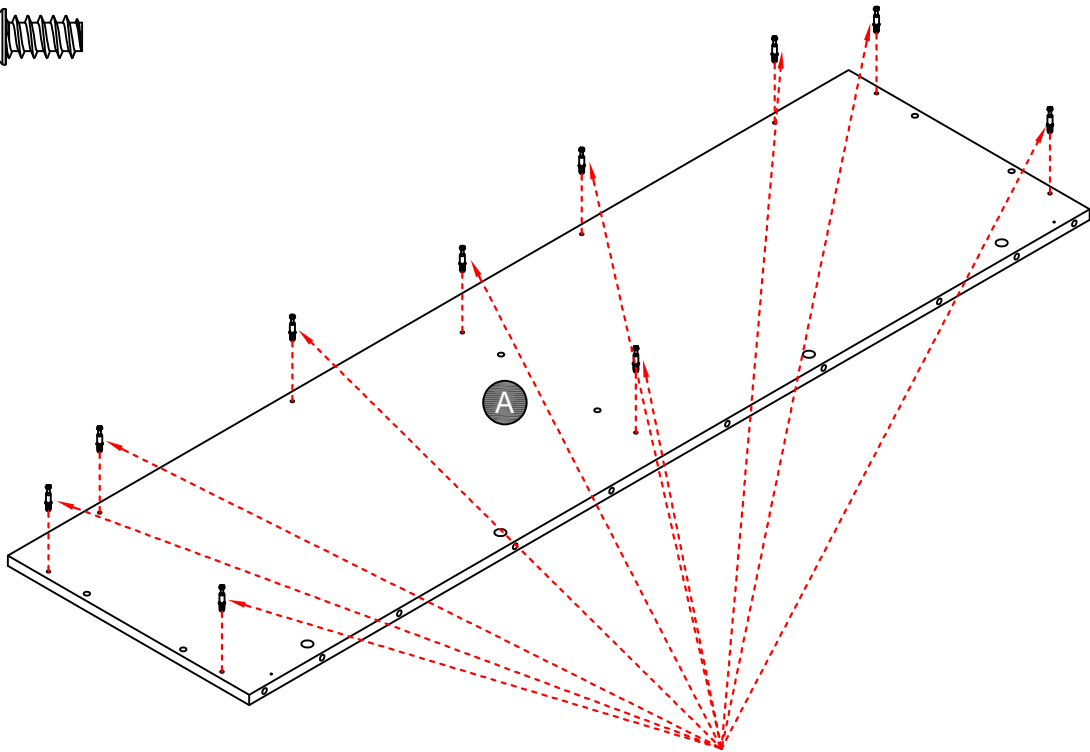
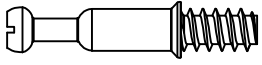
③ WOOD
DOWEL Ø8x30mm -3

① HIDDEN
CAM A -7



STEP 12

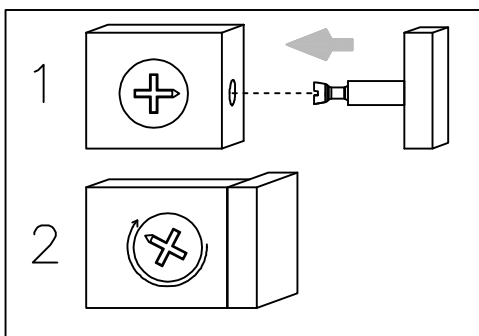
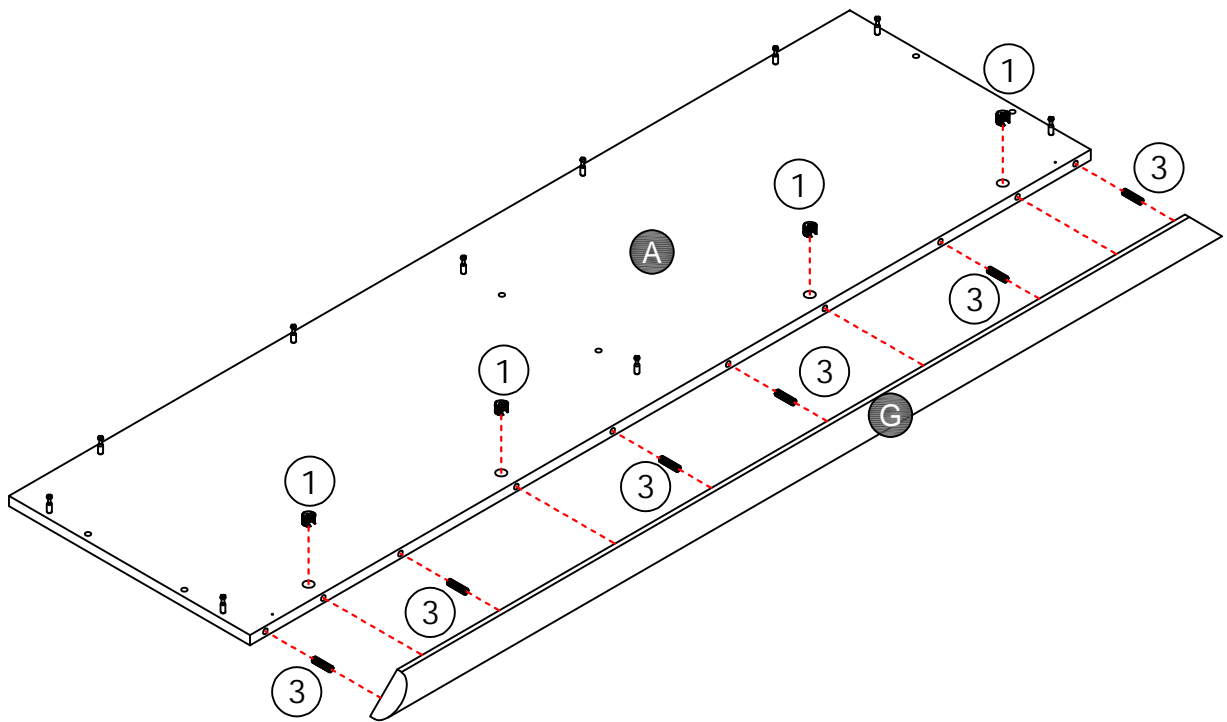
② CAM
SCREW A-14



STEP 13

3 WOOD
DOWEL Ø8x30mm -6

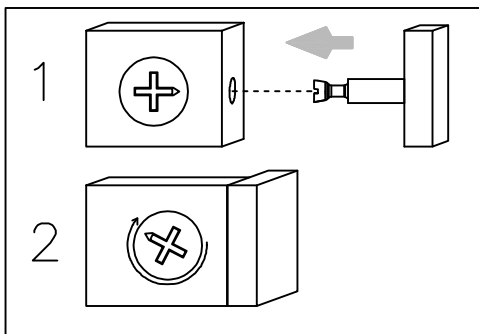
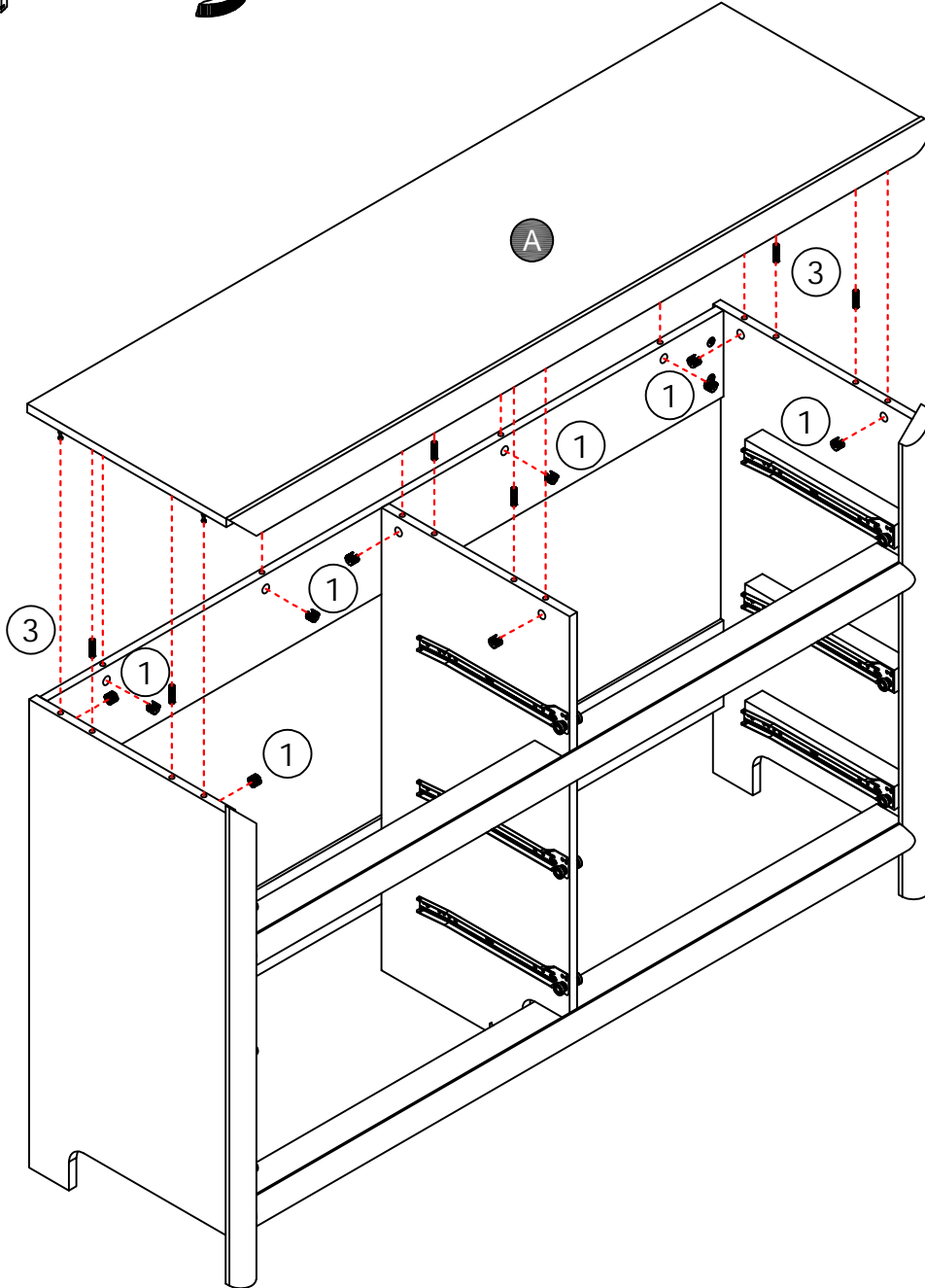
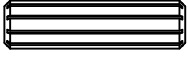
1 HIDDEN
CAM A -4



STEP 14

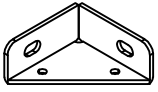
3 WOOD
DOWEL Ø8x30mm -6

1 HIDDEN
CAM A -10



STEP 15

11 IRON ANG
CODE -2



14 ROUND HEAD SCREW - 8
#8*9/16"



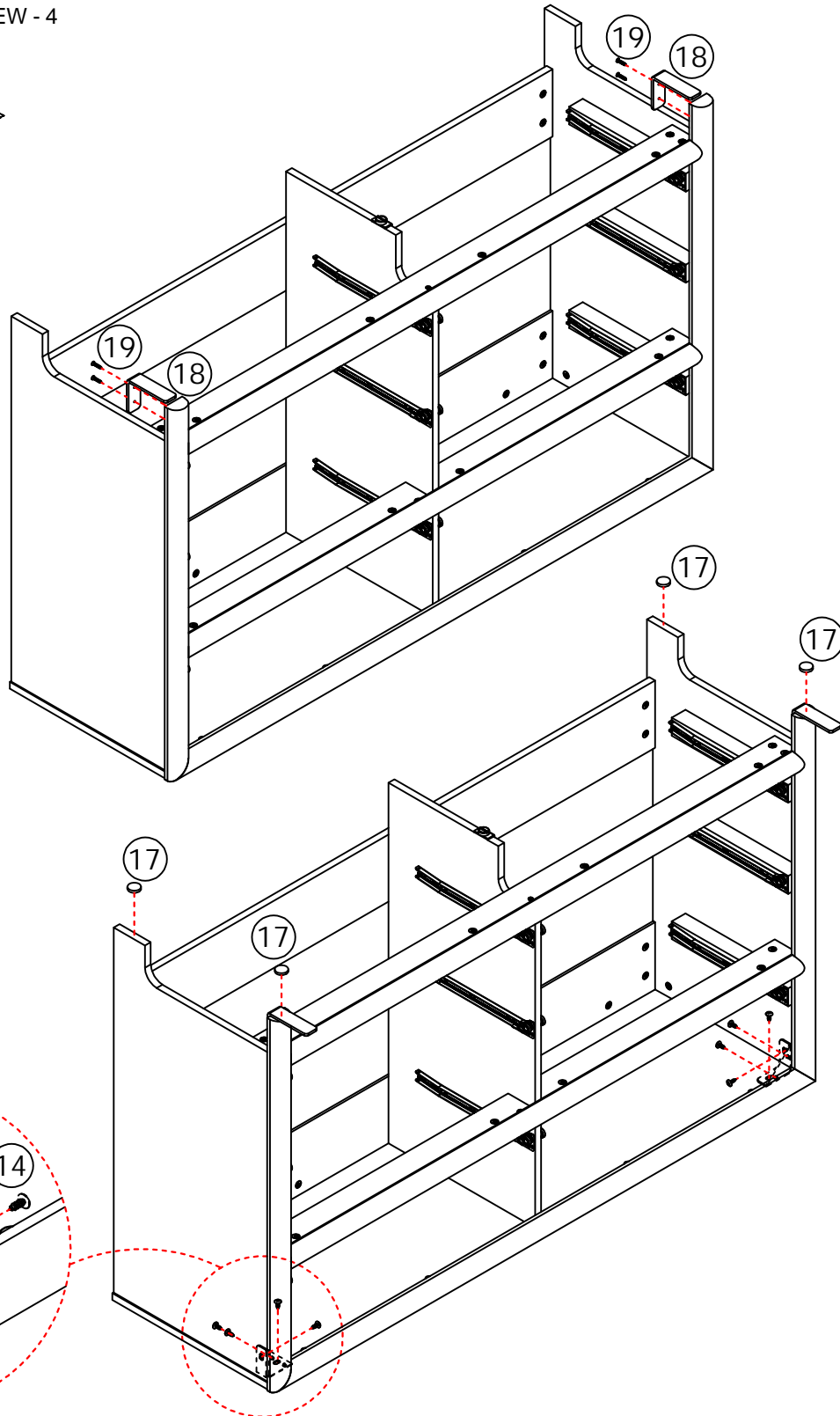
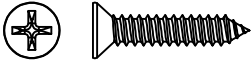
17 FELT MAT-4



18 IRON ANGLE
CODE -2



19 FLAT HEAD SCREW - 4
#8*7/8"

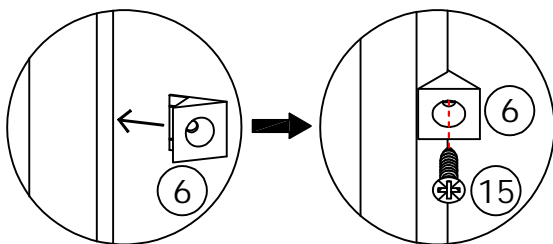
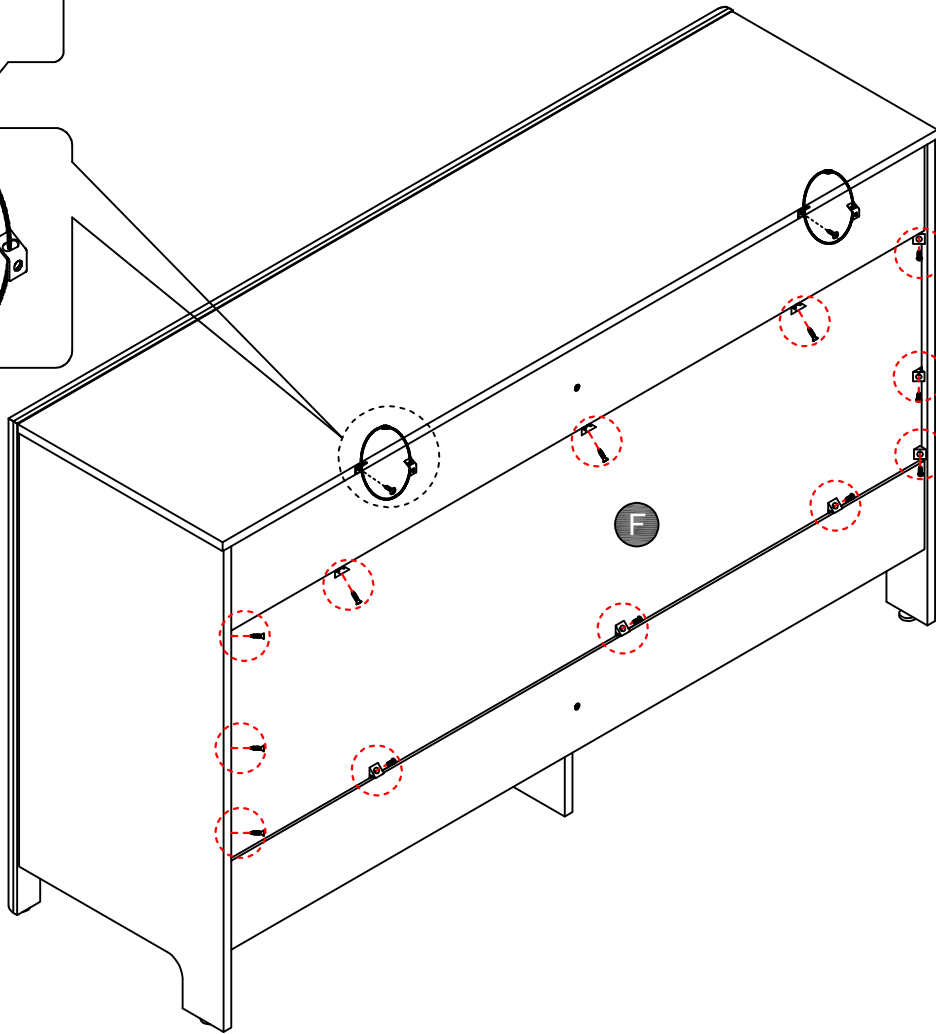
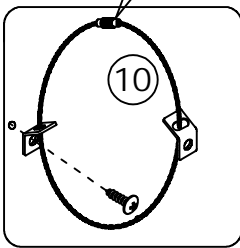
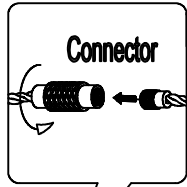
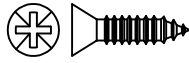
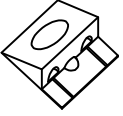


STEP 16

⑥ BACK CONNECTOR A -12

⑮ BACK FLAT HEAD SCREW -12
#6*5/8 "

⑩ ANTI TIPPING
HARDWARE -2

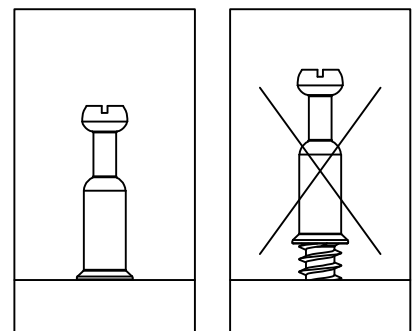
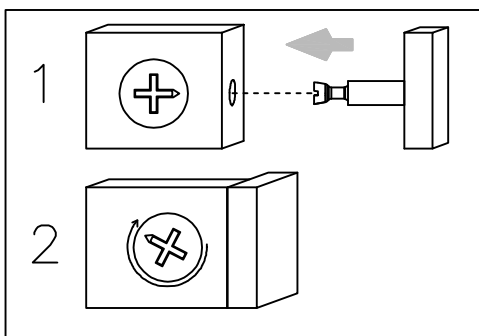
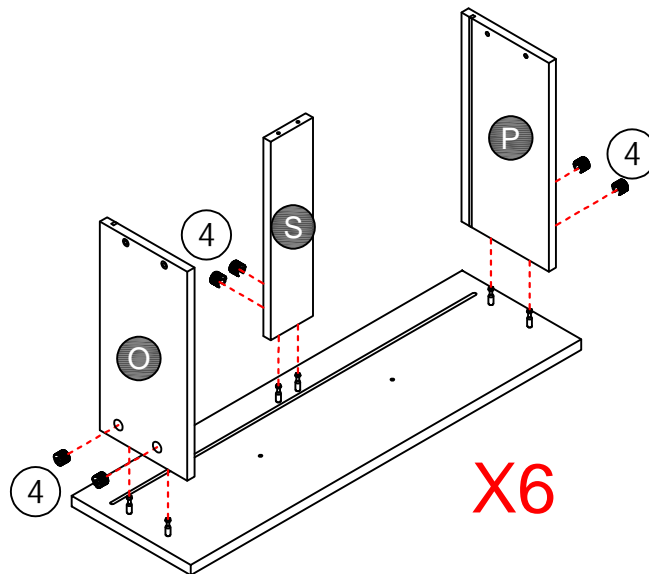
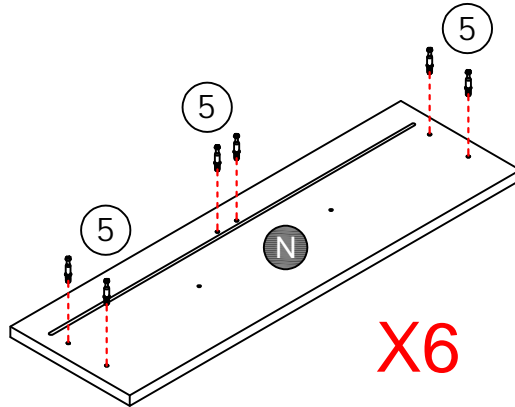


STEP 17

4 HIDDEN
CAM A -36

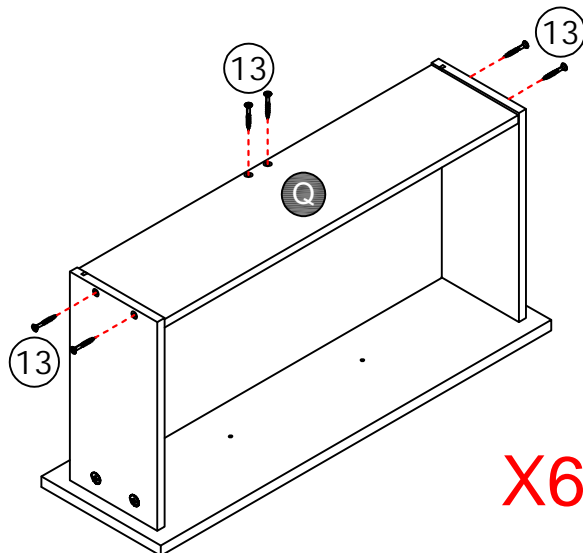
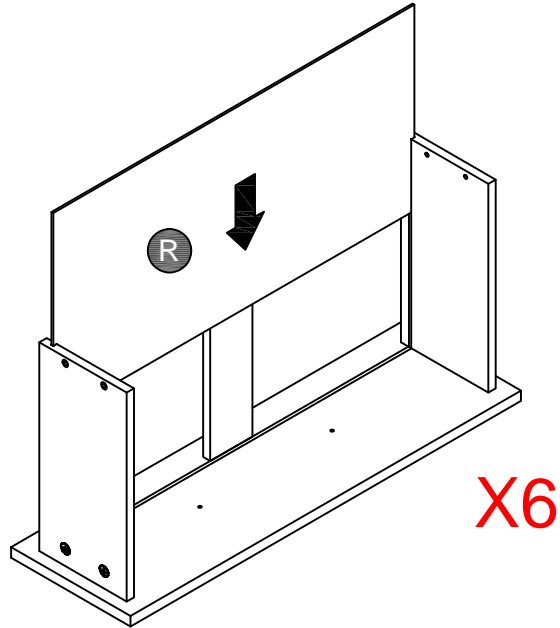
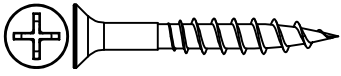


5 CAM
SCREW A -36



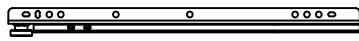
STEP 18

13 FLAT HEAD SCREW-36
#10x1-1/2"

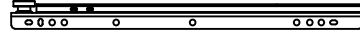


STEP 19

12 FLAT HEAD SCREW-36
#6.5x1/2"



L=12"
6x DRAWER RIGHT
(DR)



L=12"
6x DRAWER LEFT
(DL)

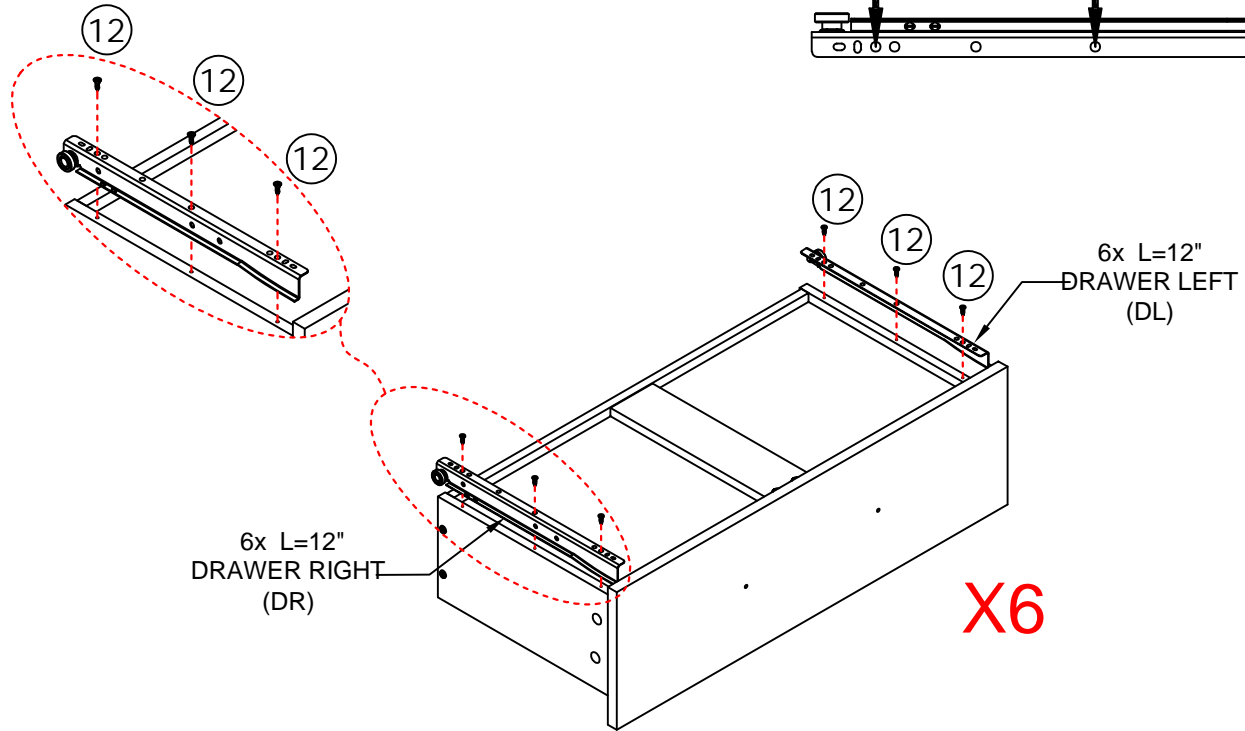
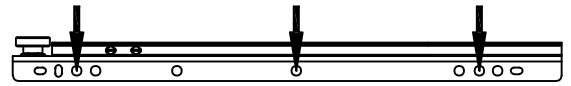
16 PAN HEAD BOLTS - 12
5*32"x7/8"



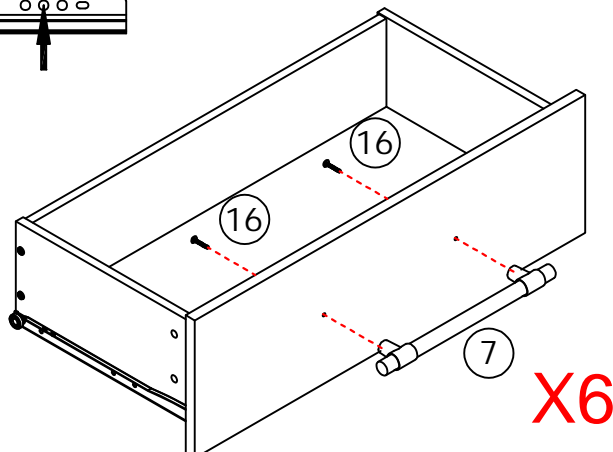
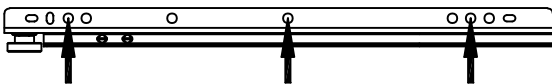
7 SHAKE
HANDS - 6



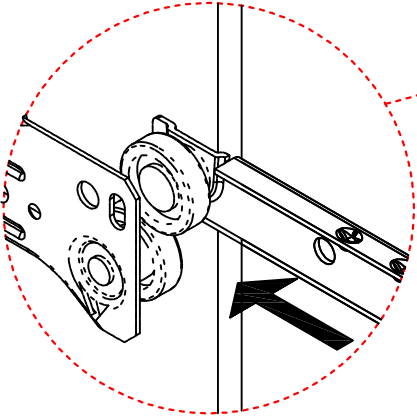
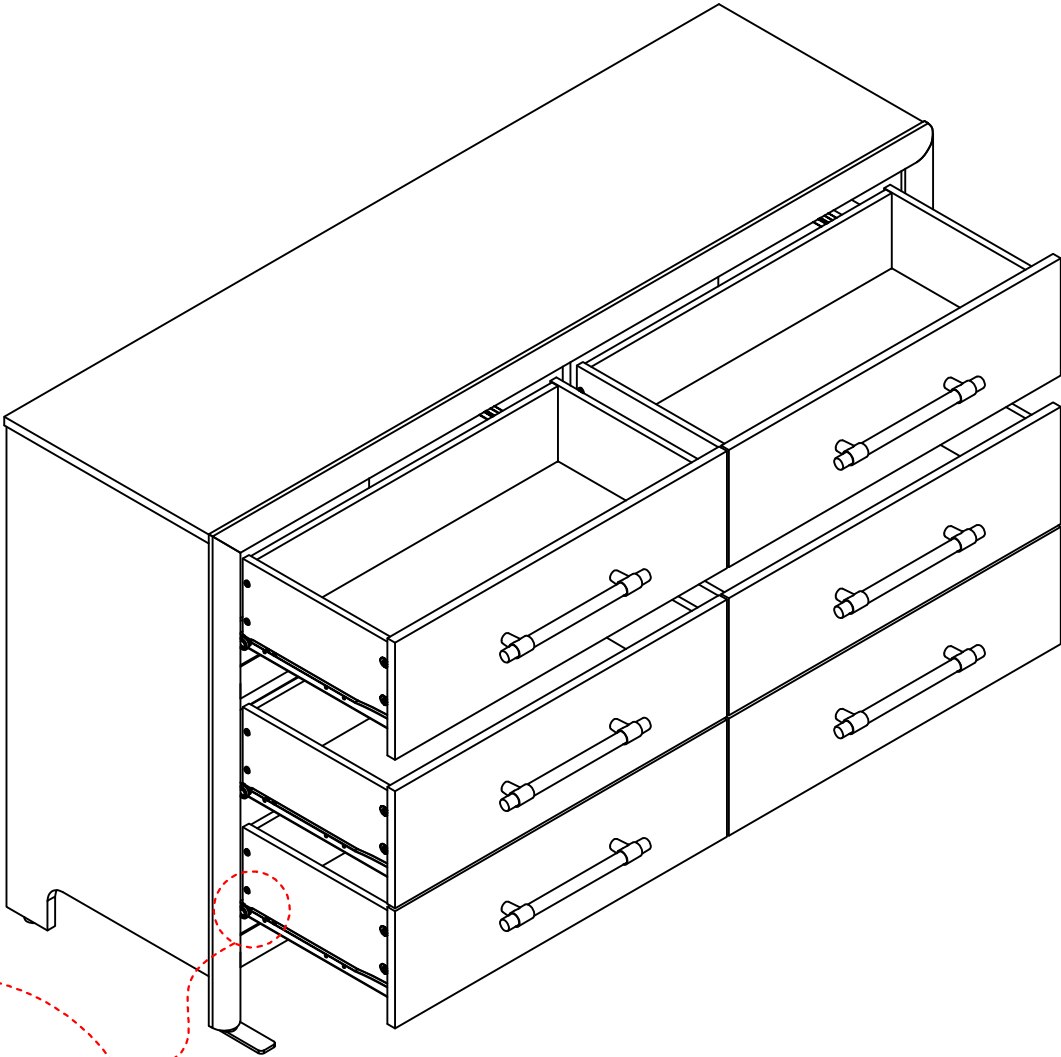
(DL)



(DR)

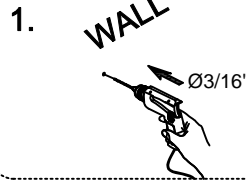


STEP 20

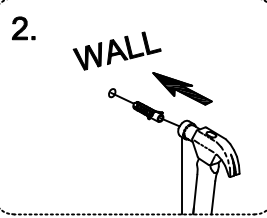


STEP 21

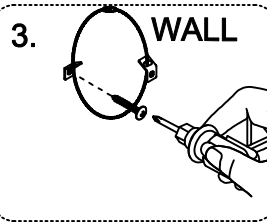
⑩ ANTI TIPPING
HARDWARE -2



1. Mark the position on the wall, and use an electric drill to make the hole.



2. The corresponding hole position on the wall, the anchor, is hammered in.



3. The alignment of the Anti tipping hardware with the hole of the anchor (10) is tightened with a screwdriver using screw.

