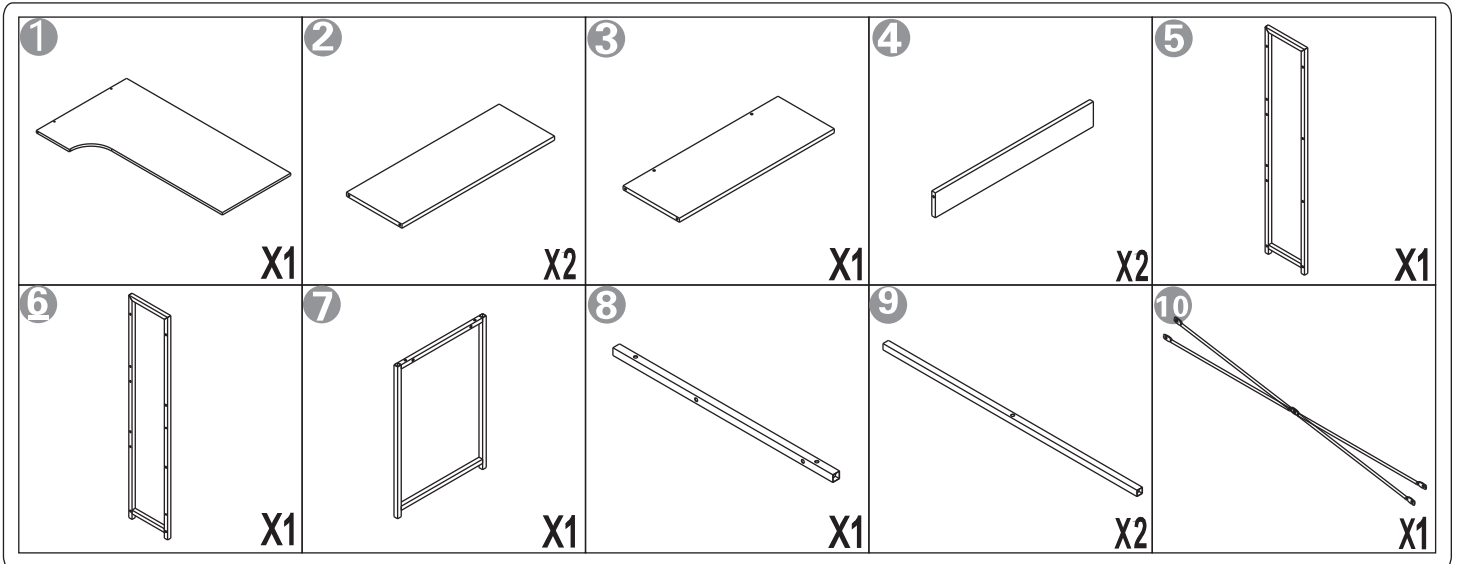


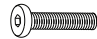






READ AND SAVE THIS INSTRUCTION FOR FUTURE USE

ASSEMBLY INSTRUCTION

Part List



PART NO.	QTY.	PARTS	
A	22	M6x50mm	
B	6	M6x40mm	
C	6	M6x28mm	
D	4	M6x12mm	
E	6	M6x20(Φ30)mm	

PART NO.	QTY.	PARTS	
F	2	Φ6x 30mm	
G	1	M4	

Assembly Instructions

