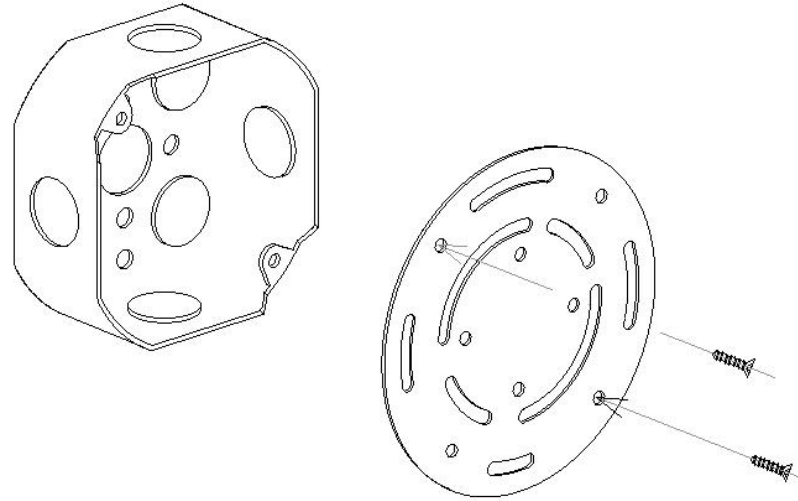
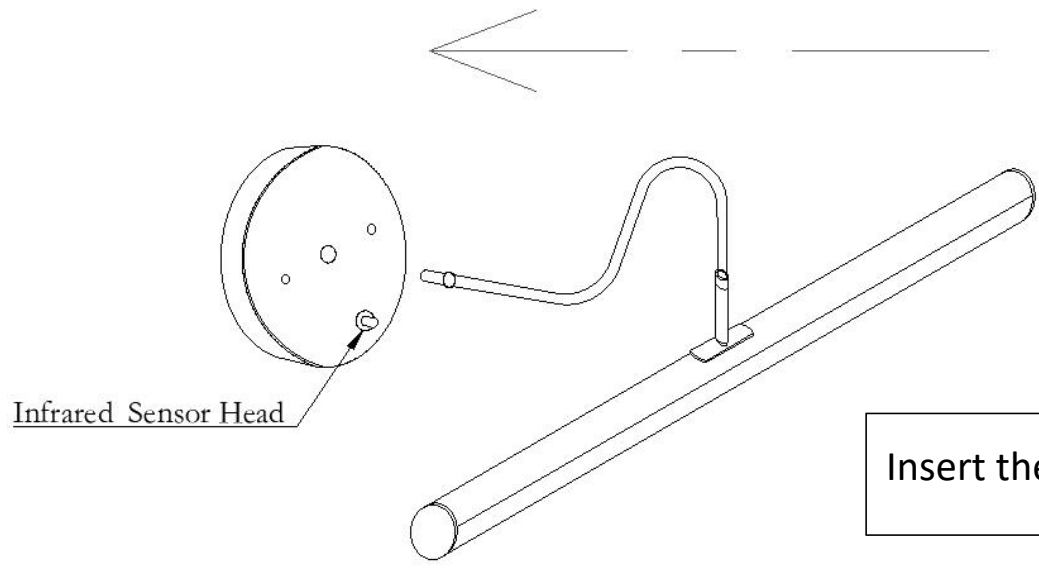


# STEP 1



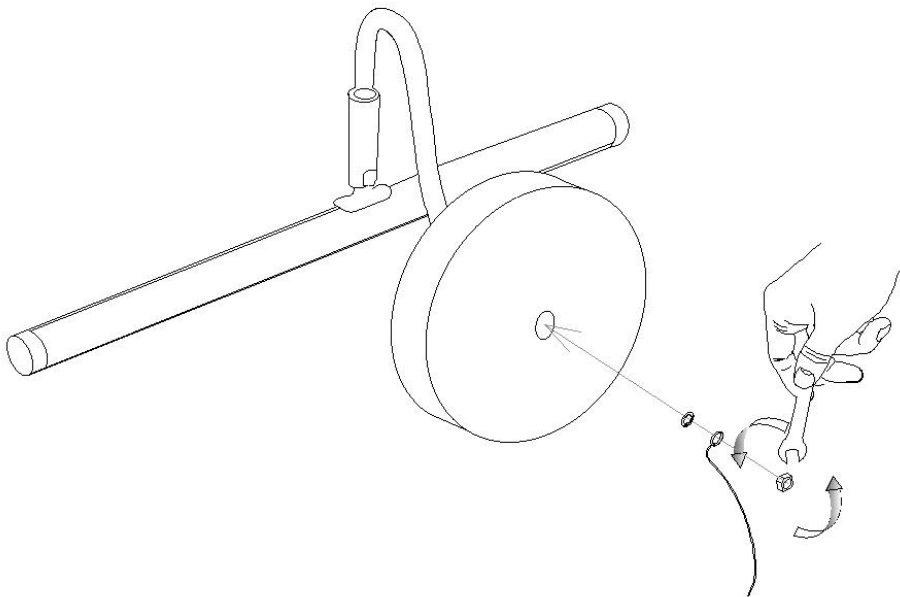
Fix the bracket to junction box in wall

STEP 2



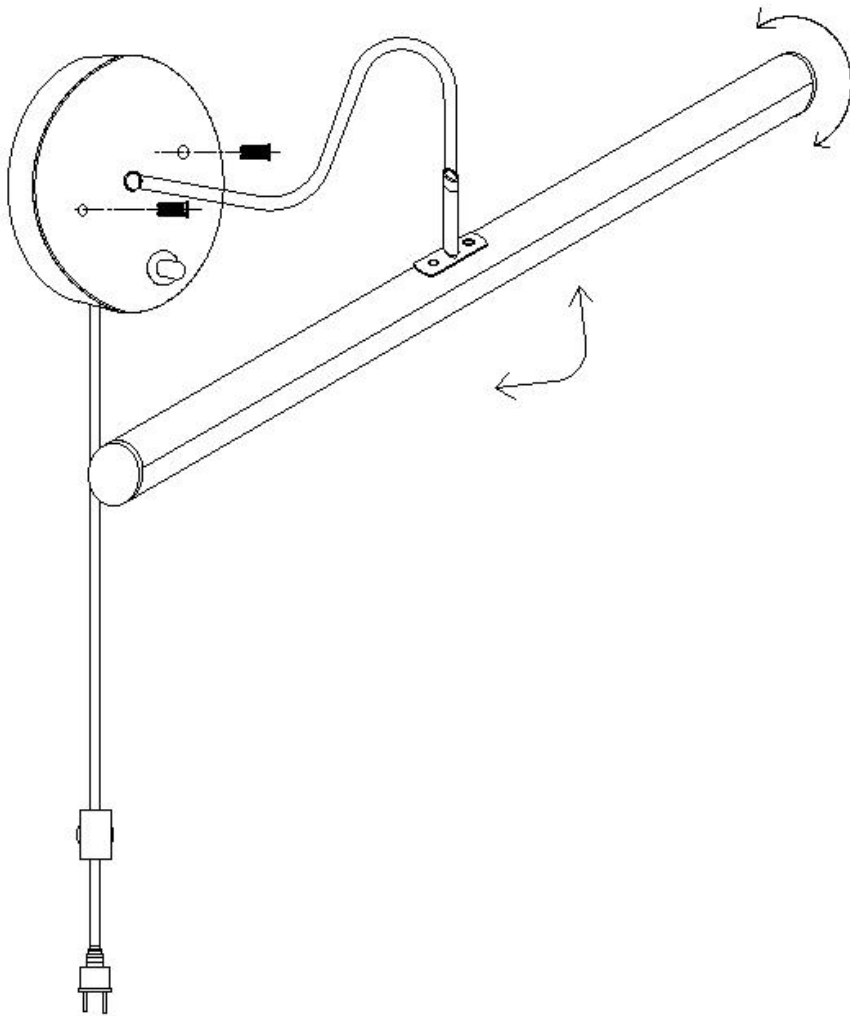
Infrared Sensor Head

Insert the arm into canopy.



Fix the nut (included) with arm by wrench.

## STEP 3



**There have two ways to control this light.  
We suggest you use remote control for  
daily use.**

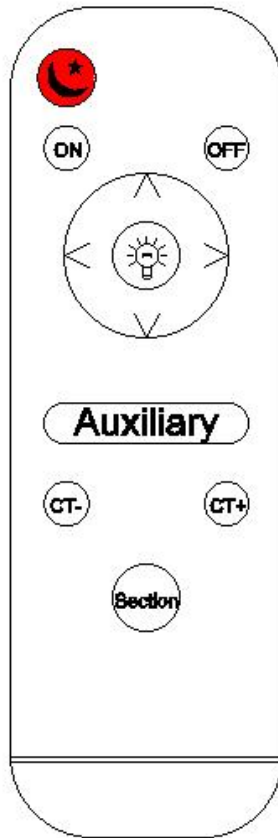
### **1. Power Switch**

Color temperature can be changed if you quickly turn on, turn off and turn on the light again, you can get three different temperature and night light mode. After you turn off the light, you turn on it after 30 seconds, the light color setting is remembered as before. The light color will be changed if you quickly turn on, turn off and turn on again.

### **2 Remote Control**

Please read next page for instruction of remote control.

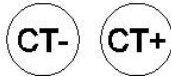
# STEP 4



Night Light Mode: Once push this button, light bulb will work at low light output as a Night light. Once you push this button, other buttons will not response, you can only go back to normal light mode by push button "Section".



Section: Push this button to get three color temperature- -- Warm Light(3000K), Day Light(4000K), Cool Light(6000K).



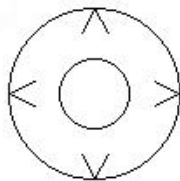
CT- and CT+: You can adjust the color temperature stepless by push this two buttons, push and release to adjust it. Don't push and hold the button.



Auxiliary: No function for this light bulb.



No function for this light bulb.



These four arrow keys can adjust the brightness of the light. Pressing them can make the light brighter or dimmer.