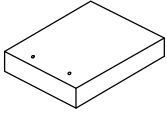


ASSEMBLY INSTRUCTIONS

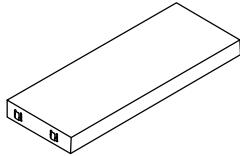
PARTS:

①



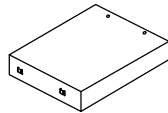
Left seat frame
1PC

②



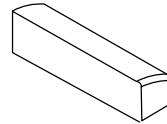
Sofa seat frame
1PC

③



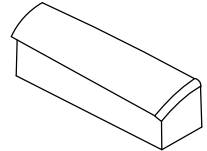
Right seat frame
1PC

④



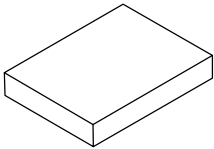
Left arm frame
1PC

⑤



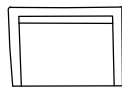
Right arm frame
1PC

⑥



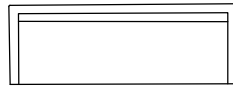
Ottoman seat frame
2PCS

⑦



Side back frame
2PCS

⑧



Sofa back frame
1PC

⑨



Left Arm cushion
1PC

⑩



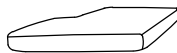
Right Arm cushion
1PC

⑪



Back cushion
4PCS

⑫



Chaise Seat cushion
1PC

⑬



Seat cushion
3PCS

⑭



Ottoman Seat cushion
1PC

HARDWARE

Ⓐ



M8*80mm
4PCS

Ⓑ



M 8mm
58PCS

Ⓒ



M 8mm
18PCS

Ⓓ



M8*25mm
40PCS

Ⓔ



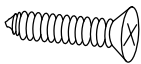
M8*80mm
14PCS

Ⓕ



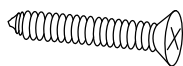
4PCS

Ⓖ



M4*20mm
8PCS

Ⓗ



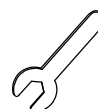
M5*30mm
40PCS

Ⓘ



M5
1PC

Ⓙ








1PC

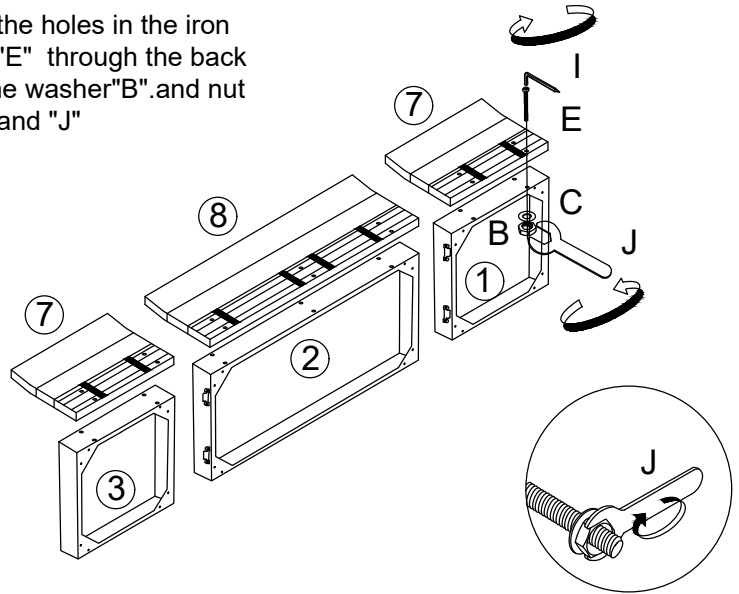
Ⓚ



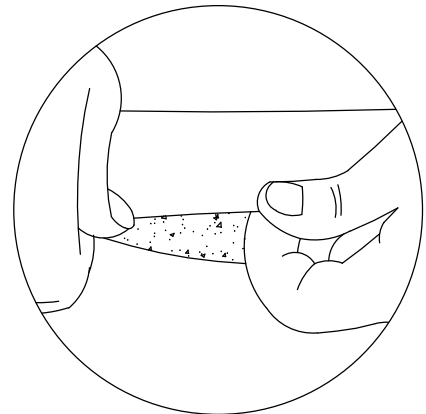
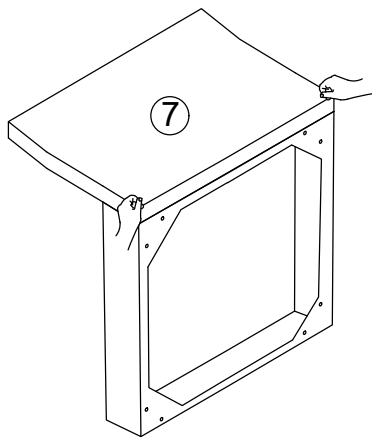
20PCS

STEP 1: Turn the back frame cloth over until the holes in the iron frame are exposed. Pass the screw "E" through the back frame and the seat frame, then put the washer "B". and nut "C". Tighten the nuts with wrench "I" and "J"

	E X 14
	B X 14
	C X 14
	J X 1
	I X 1

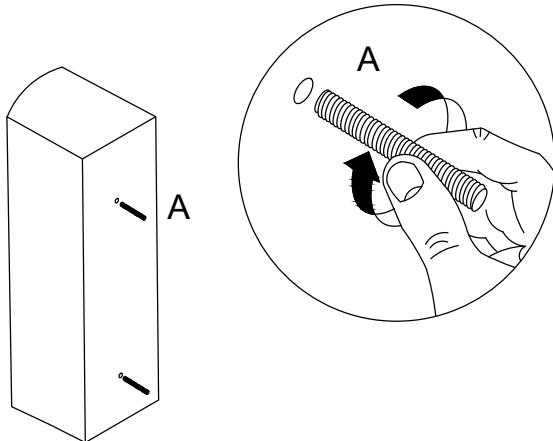


STEP 2: Put down the back cover and stick with the Velcro on bottom.

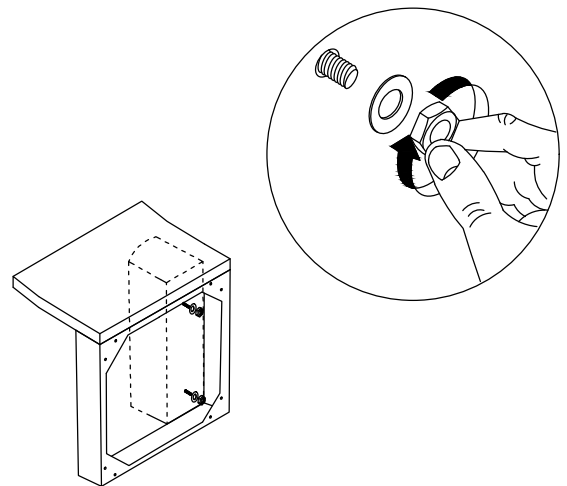


3 back frames and seat frames are assembled as above steps

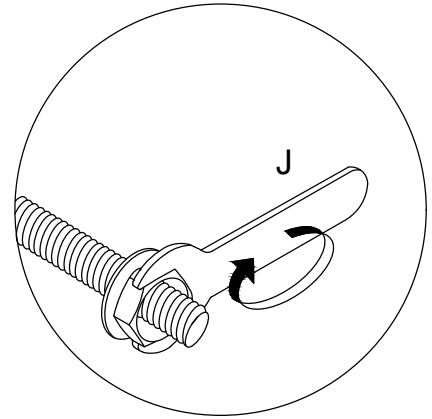
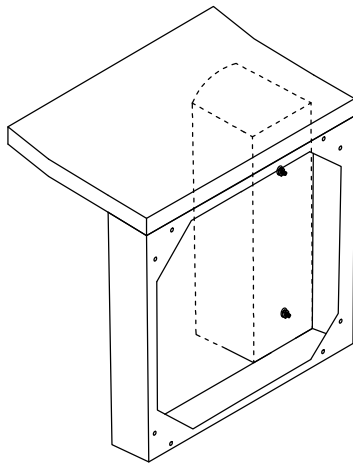
STEP 3: Tighten 2 screws "A" into each arm frame about 2cm.







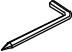
STEP 4: Insert the arm frame to seat frame, then put the washer "B" and nut "C".

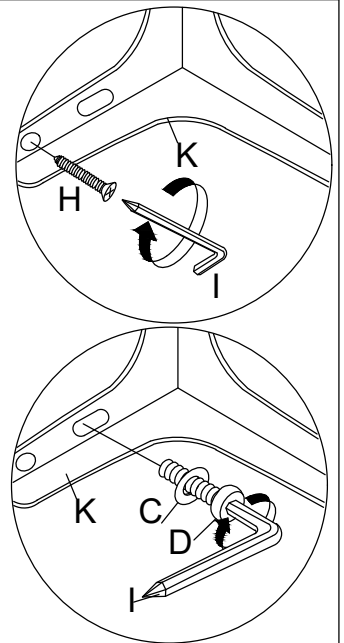
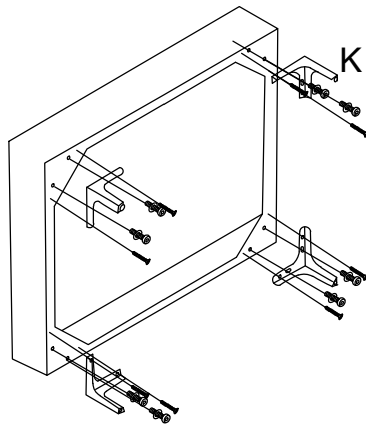


STEP 5: Tighten the nuts with wrench "J"

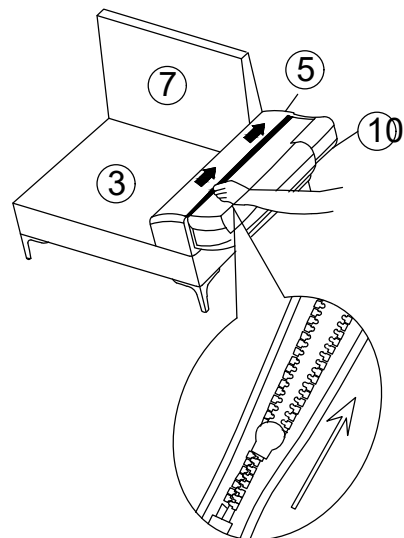
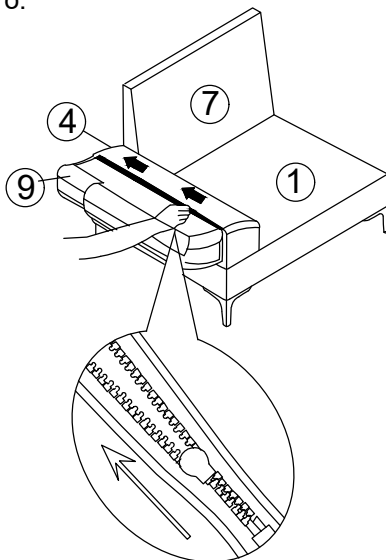


STEP 6: Assemble the metal legs "K" under the sofa.

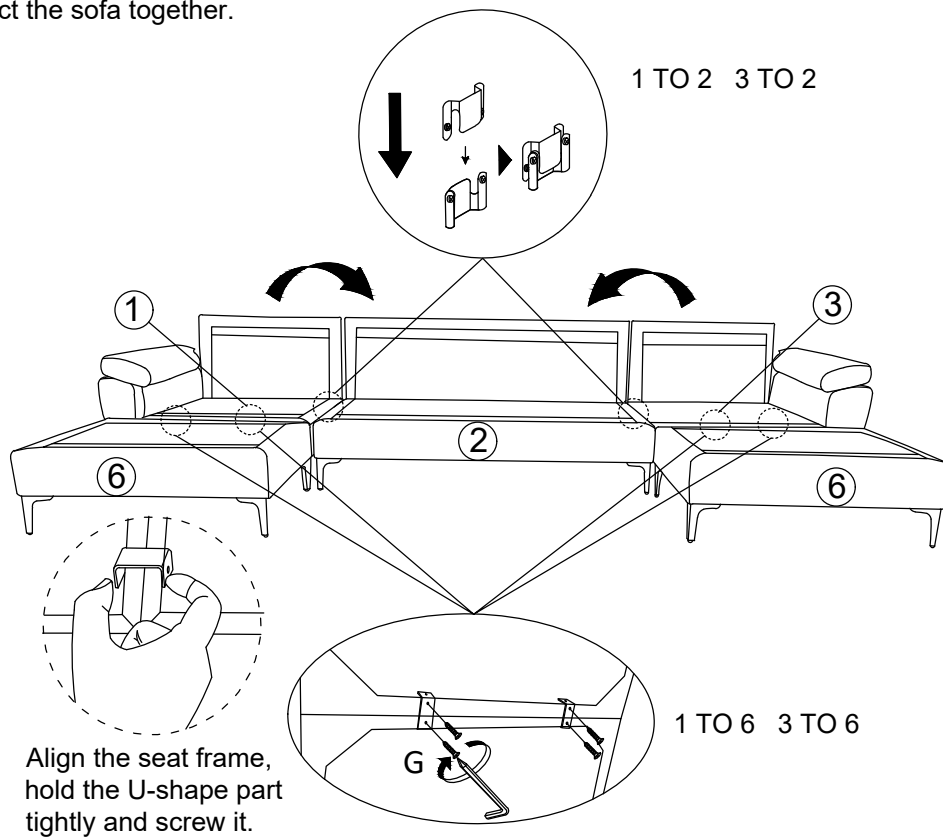
	D X 40
	B X 40
	H X 40
	K X 20
	I X 1






STEP 7: Zip the arm cushion, and stick the velcro.



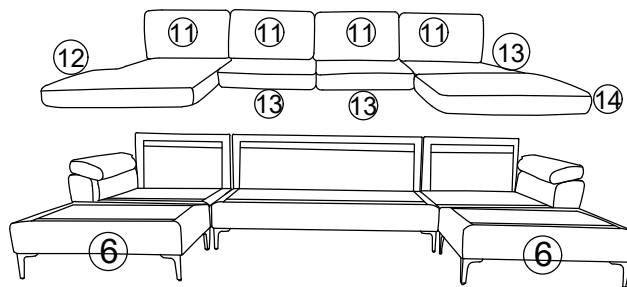
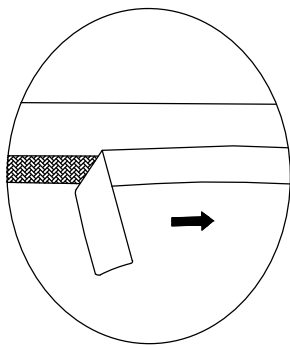
STEP 8: Connect the sofa together.



	I X 1
	F X 4
	G X 8

Align the seat frame, hold the U-shape part tightly and screw it.

STEP 9: Remove the black strips on frames, Put the seat cushions and back cushions on sofa. Press them to stick the Velcro.



COMPLETE

