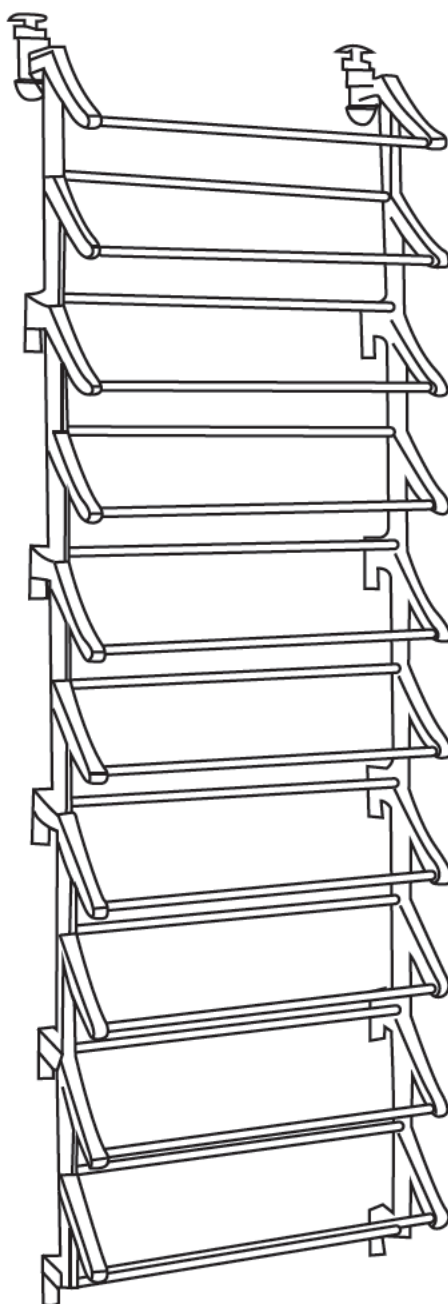


# 10 Tier Over-door Shoe Rack

Assembly Instructions - please keep for future reference



## Dimensions

Width - 50cm

Depth - 19.5cm

Height - 165cm

**Important** - Please read these instructions fully before starting assembly



# Safety and Care Advice

**Important – Please read these instructions fully before starting assembly**

Check you have all the components and tools listed on pages 3

- Remove all fittings from the plastic bags and separate them into their groups.
- Keep children and animals away from the work area, small parts could choke if swallowed.
- Make sure you have enough space to layout the parts before starting.

- Do not stand or put weight on the product, this could cause damage.
- Assemble the item as close to its final position (in the same room) as possible.
- Assemble on a soft level surface to avoid damaging the unit or your floor.
- Parts of the assembly will be easier with 2 people.



- We do not recommend the use of power drill/drivers for inserting screws as this could damage the unit. Only use hand screwdrivers.
- Dispose of all packaging carefully and responsibly.

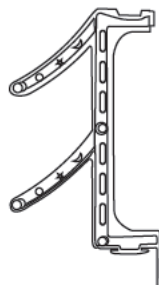
## Care and maintenance

- Only clean using a damp cloth and mild detergent, do not use bleach or abrasive cleaners.
- From time to time check that there are no loose screws on this unit.
- This product should not be discarded with household waste. Take to your local authority waste disposal centre.

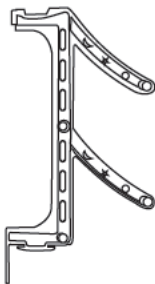
# Components - Panels

Please check you have all the panels listed below

Note: The quantities below are the correct amount to complete the assembly. In some cases more fittings may be supplied than are required.



1 Left Side Bracket x 5



2 Right Side Bracket x 5



3 Metal Tubes x 20

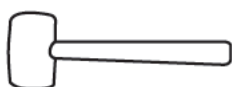


4 Adjustable Door Bracket  
Part 1 x 2



5 Adjustable Door Bracket  
Part 2 x 2

## Tools required



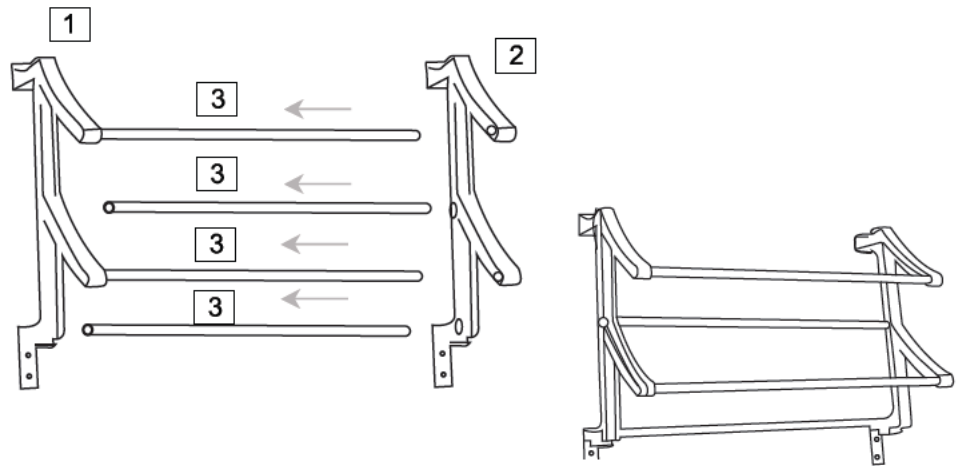
Rubber Mallet

# Assembly Instructions

## Step 1

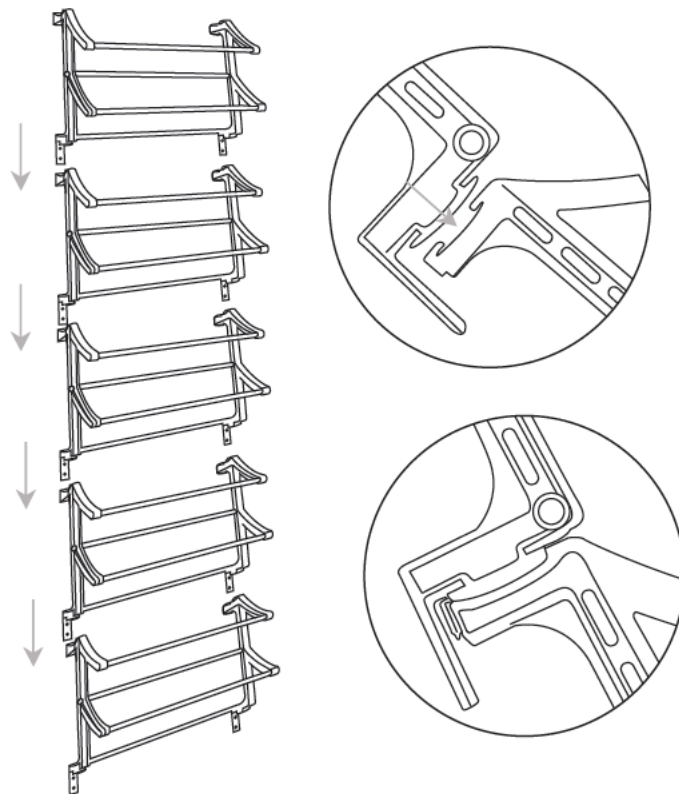
1. Using 4 x metal tubes **3**, connect together 1 x left bracket **1** and 1 x right bracket **2** together. Simply Push together.

Repeat this process until you have 5 sections



## Step 2

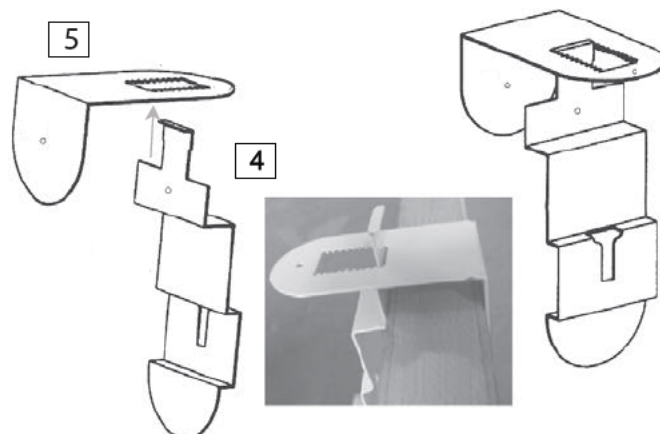
1. Connect sections together as shown by sliding/locking them into place



## Step 3

1. Door Brackets part 1 and 2 are connected together as shown. Push **4** into **5** at a slight angle and then pulled level.

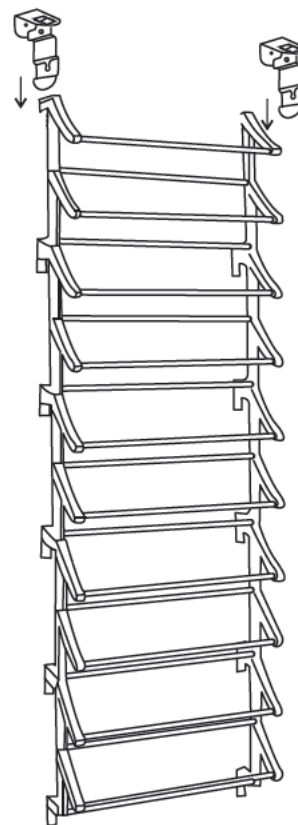
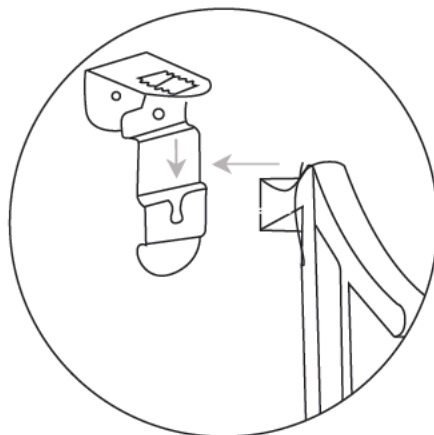
These brackets are adjustable to fit a door thickness of 3 - 5 cm, this can be adjusted once bracket is hung over the door. At this stage please fix brackets in place at the widest setting.



# Assembly Instructions

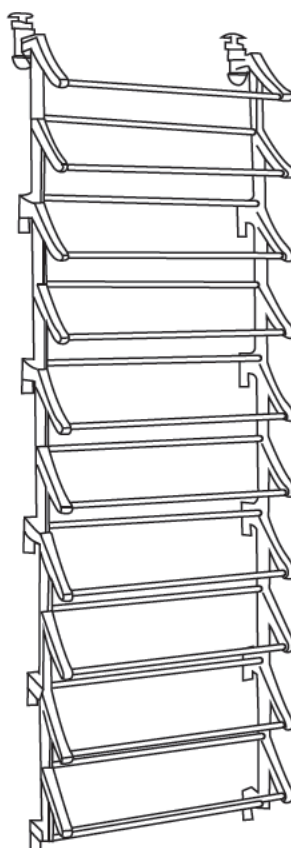
## Step 4

1. Slide 2 x brackets into place as shown



## Step 5

1. Hang the unit to the desired door and then adjust the bracket to fit.



Assembly Complete