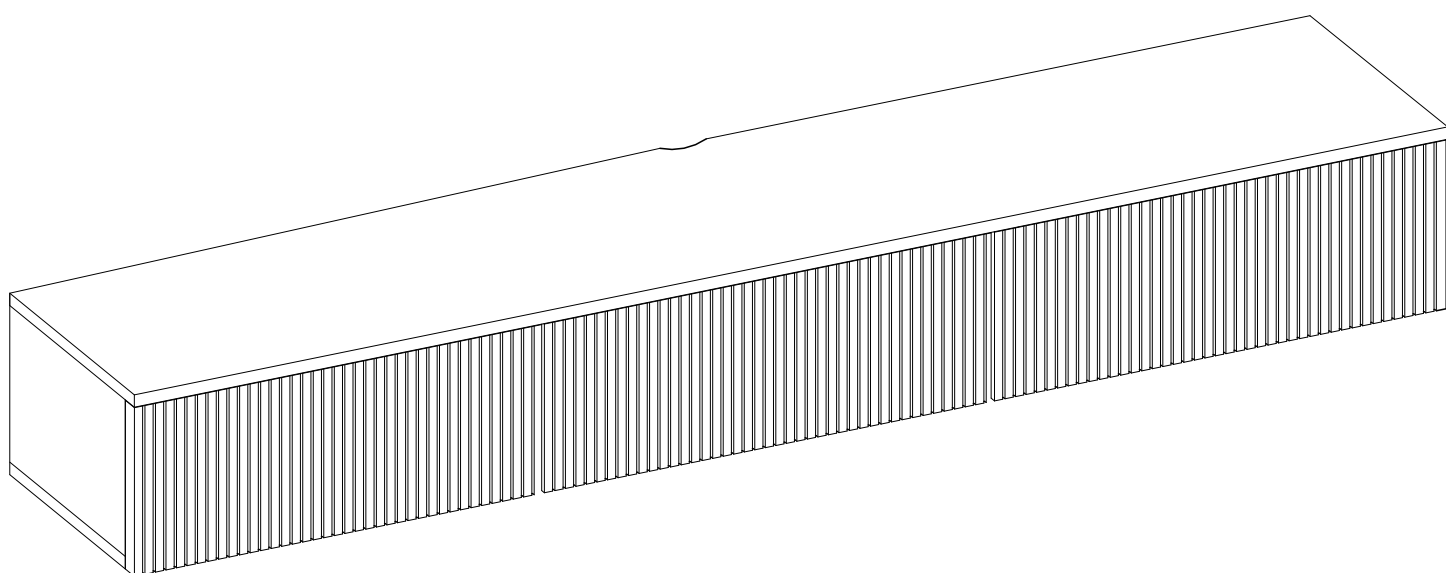
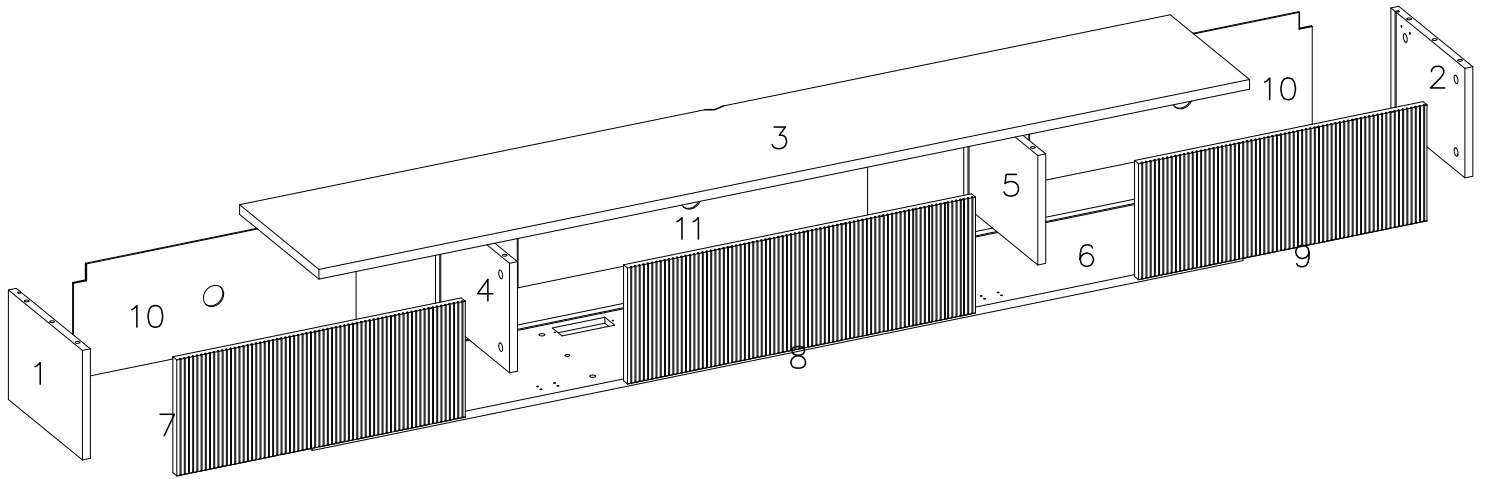
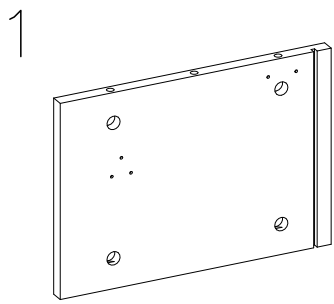


# Installation & Assembly

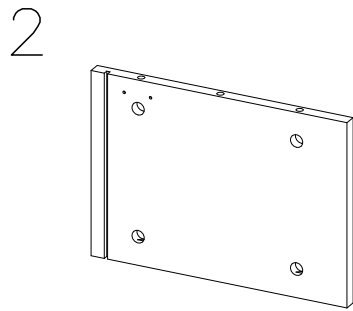




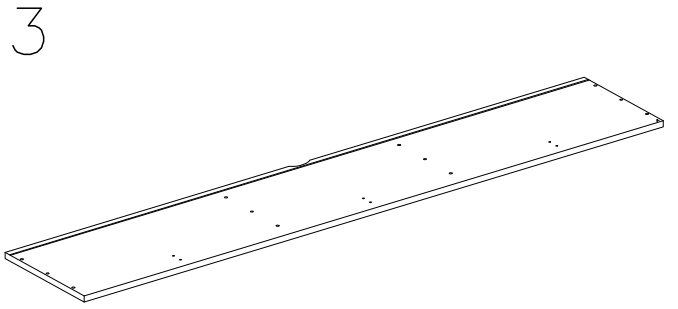
<p>A</p> <p>A1 A2</p> <p>16pcs</p>	<p>B</p> <p><math>\phi 8 \times 30 \text{mm}</math></p> <p>8pcs</p>	<p>C</p> <p><math>\phi 3.5 \times 14 \text{mm}</math></p> <p>69pcs</p>	<p>D</p> <p><math>\phi 3.5 \times 40 \text{mm}</math></p> <p>8pcs</p>	<p>E</p> <p><math>\phi 3.5 \times 30 \text{mm}</math></p> <p>8pcs</p>	<p>F</p> <p><math>8 \times 40 \text{mm}</math></p> <p>8pcs</p>	<p>G</p> <p>6pcs</p>	<p>H</p> <p>H1 H2</p> <p>3pcs</p>
<p>I</p> <p>3pcs</p>	<p>J</p> <p>J1x1</p> <p>J2x4 J3x4</p> <p>1pc</p>	<p>K</p> <p>K1*1 K2*2</p> <p>1pc</p>	<p>L</p> <p>L1*4 L2*4 L3*2 L4*2</p> <p>1pc</p>	<p>M</p> <p>12pcs</p>	<p>N</p> <p>16pcs</p>		



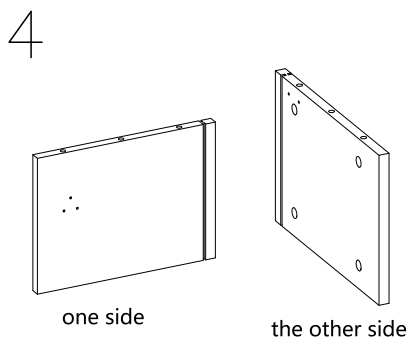
270\*278\*15mm 1pc



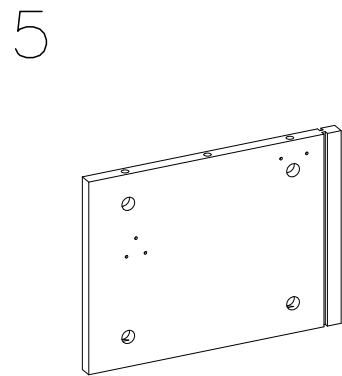
270\*278\*15mm 1pc



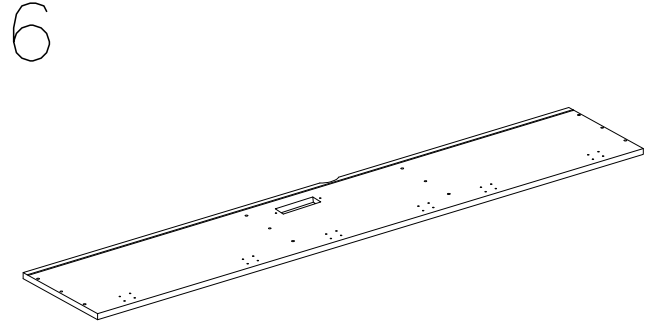
1750\*300\*15mm 1pc



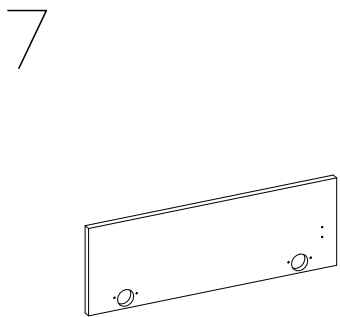
270\*278\*15mm 1pc



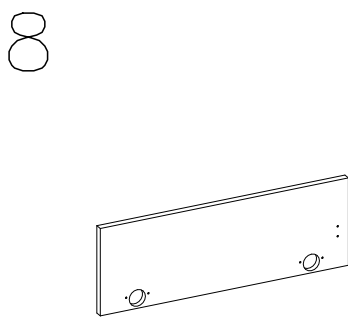
270\*278\*15mm 1pc



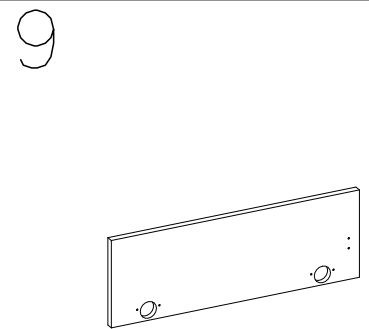
1750\*279\*15mm 1pc



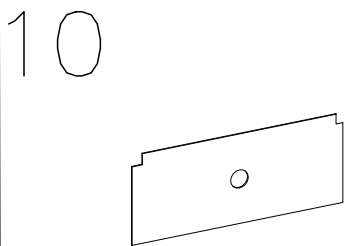
581\*280\*15mm 1pc



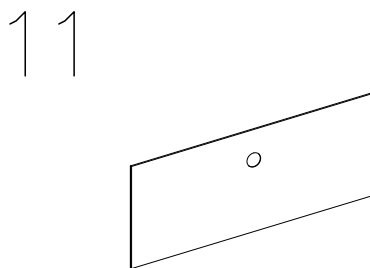
576\*280\*15mm 1pc



581\*280\*15mm 1pc



571\*280\*3mm 2pcs

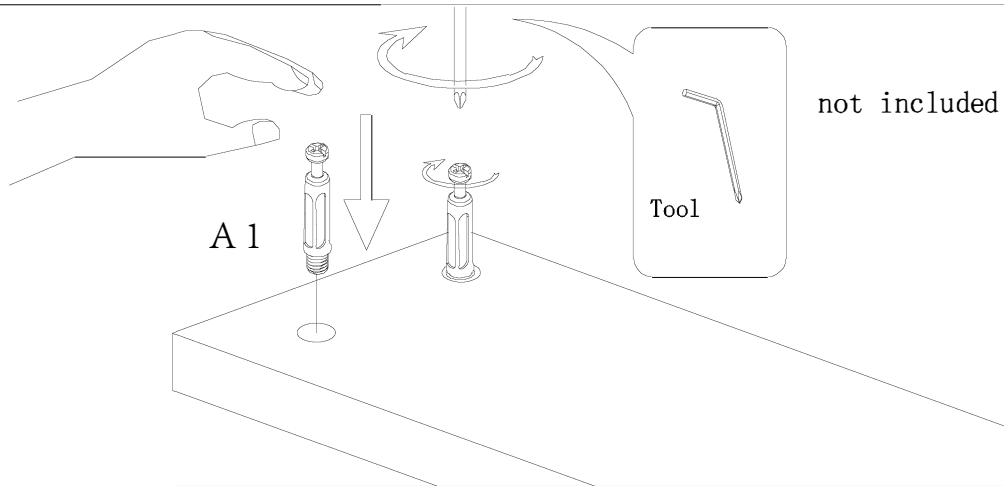


572\*280\*3mm 1pc

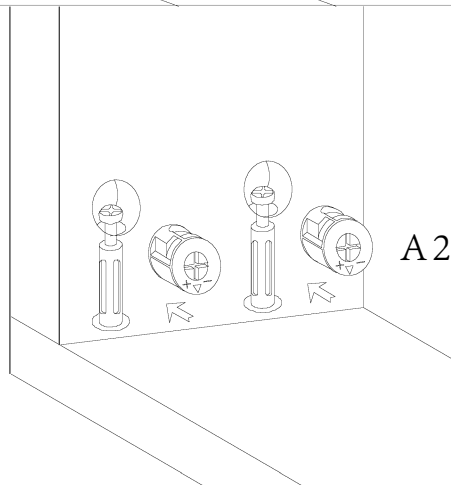
# Hardware installation demonstration

**NOTE: Please make sure "A1" hardware tightened and can't be pulled out!**

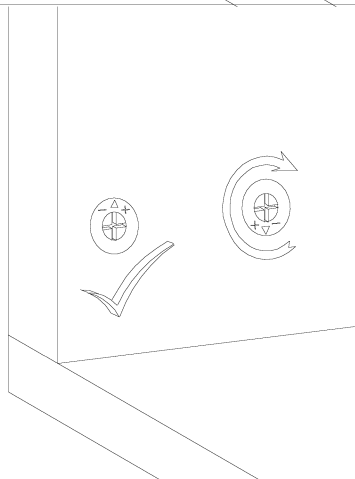
I



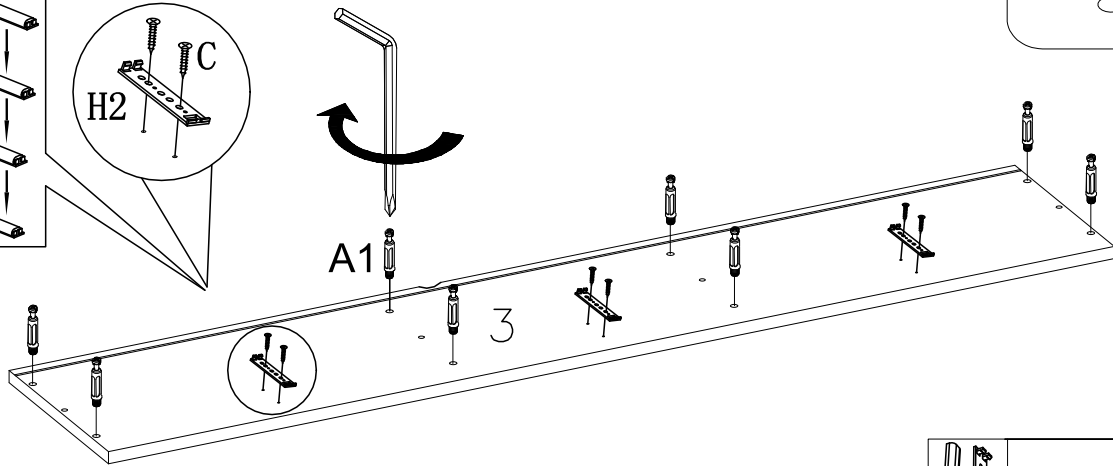
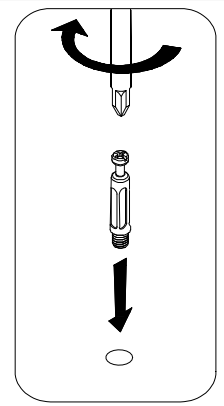
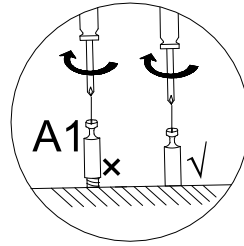
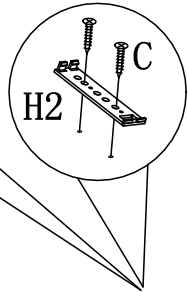
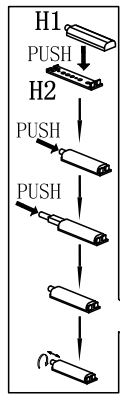
II



III

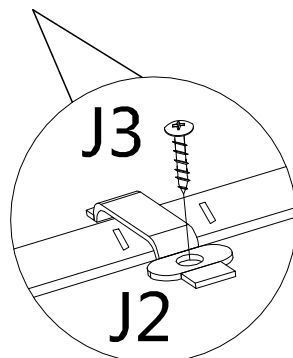
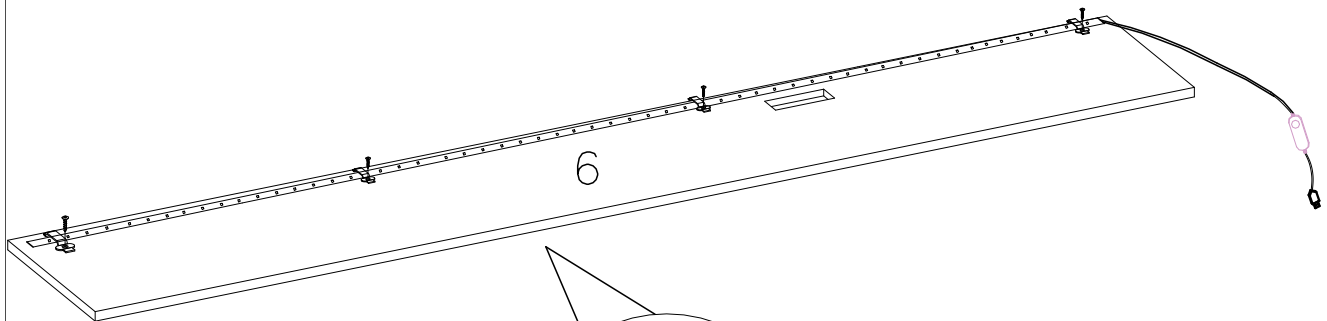
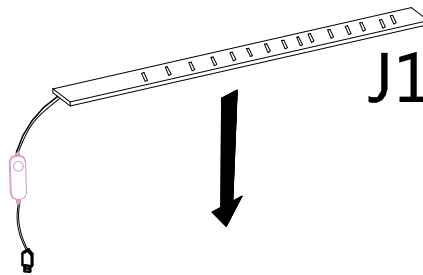
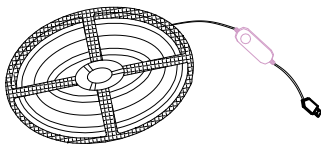


# STEP 1



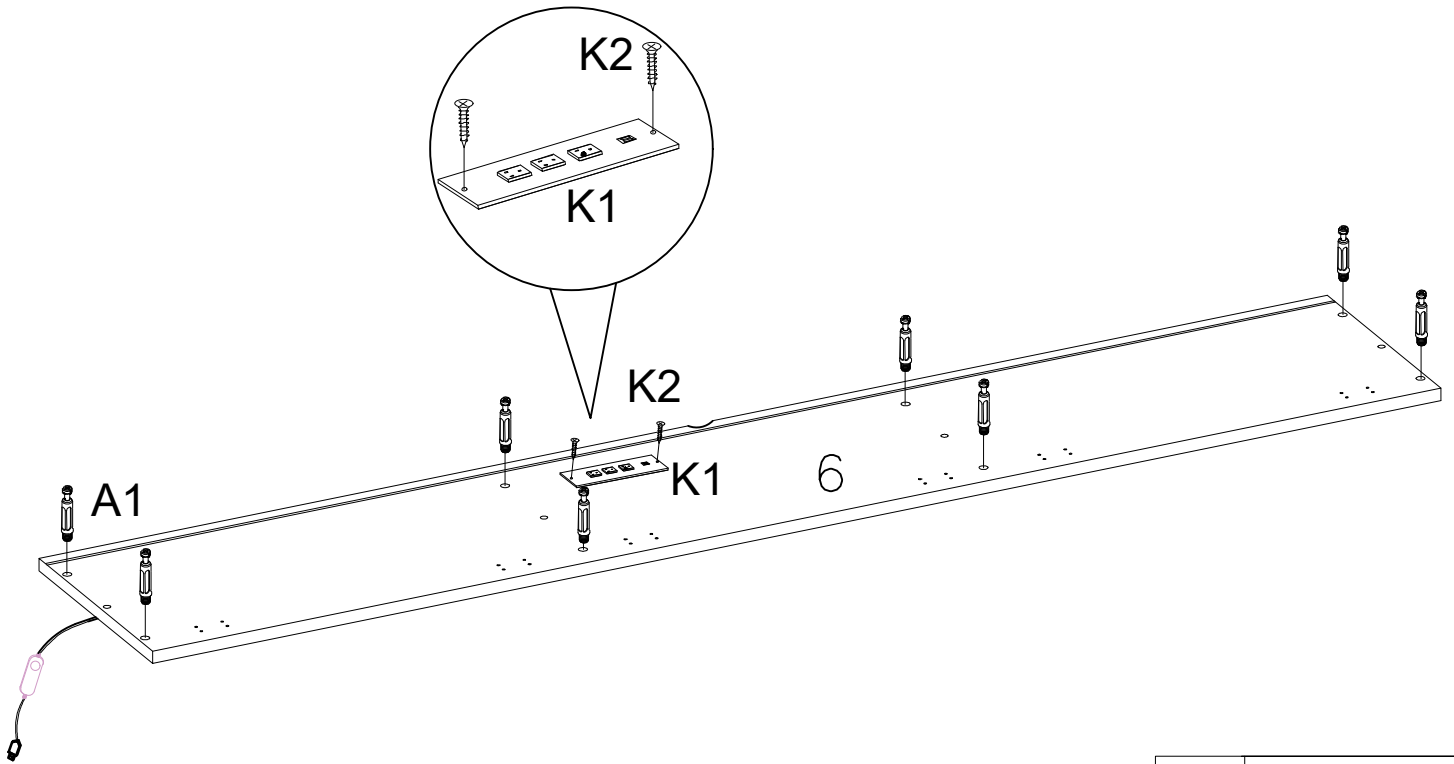
	H × 3PCS
	C × 6PCS
	A1 × 8PCS




# STEP 2



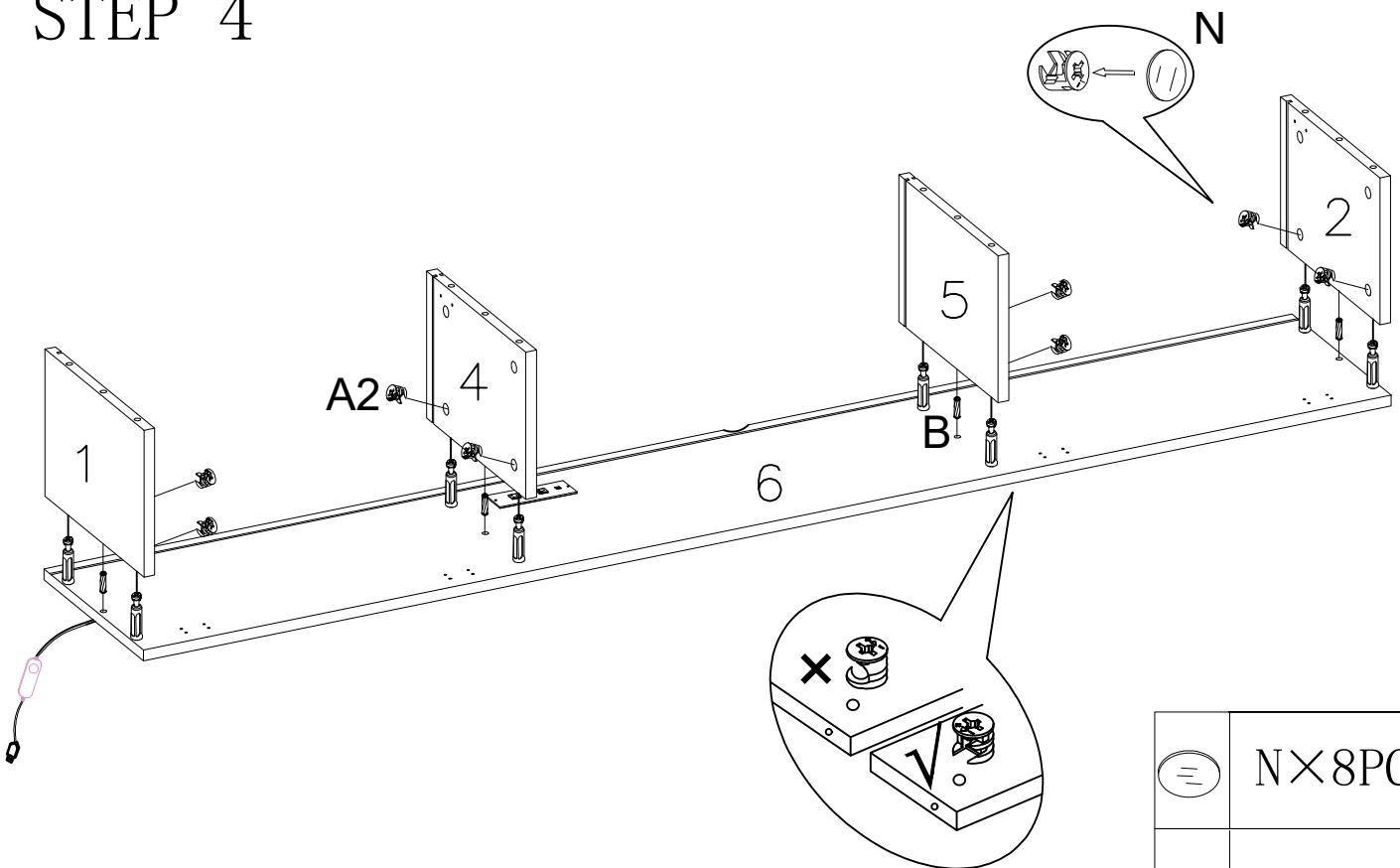
	J1 × 1PC
	J2 × 4PCS
	J3 × 4PCS




# STEP 3



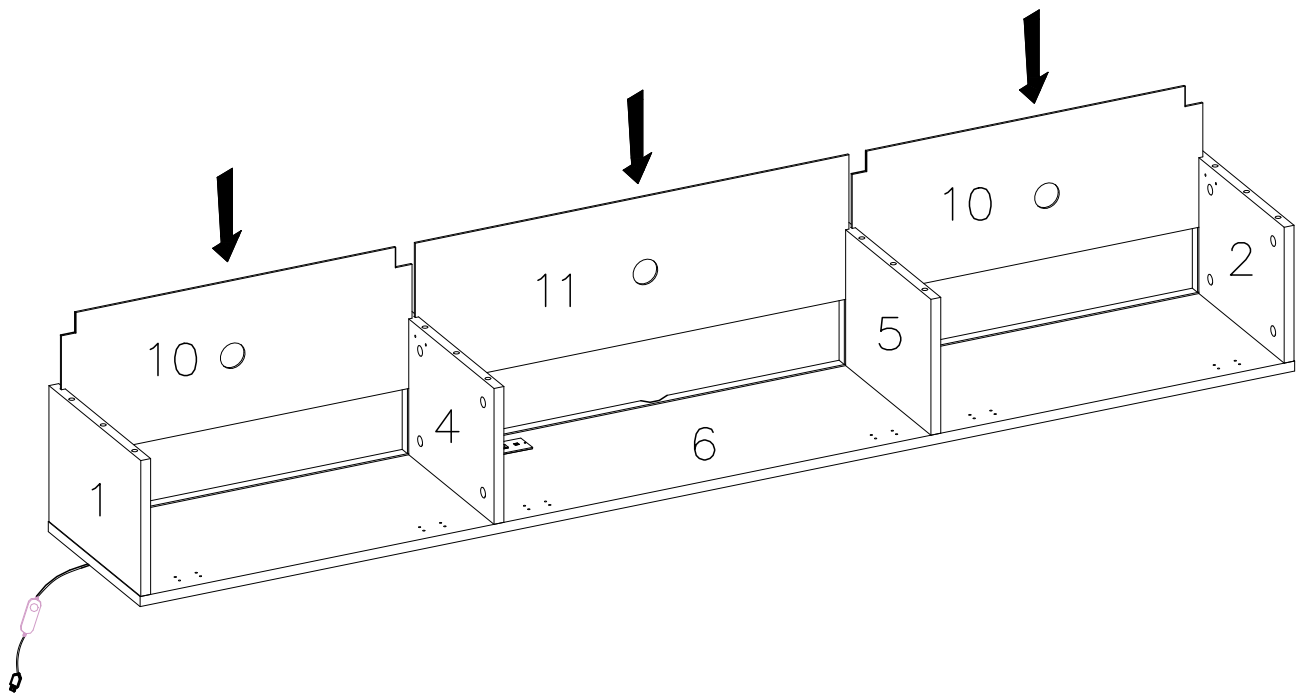
		K1× 1 PC
	K2× 2PCS	
		A1× 8PCS

# STEP 4

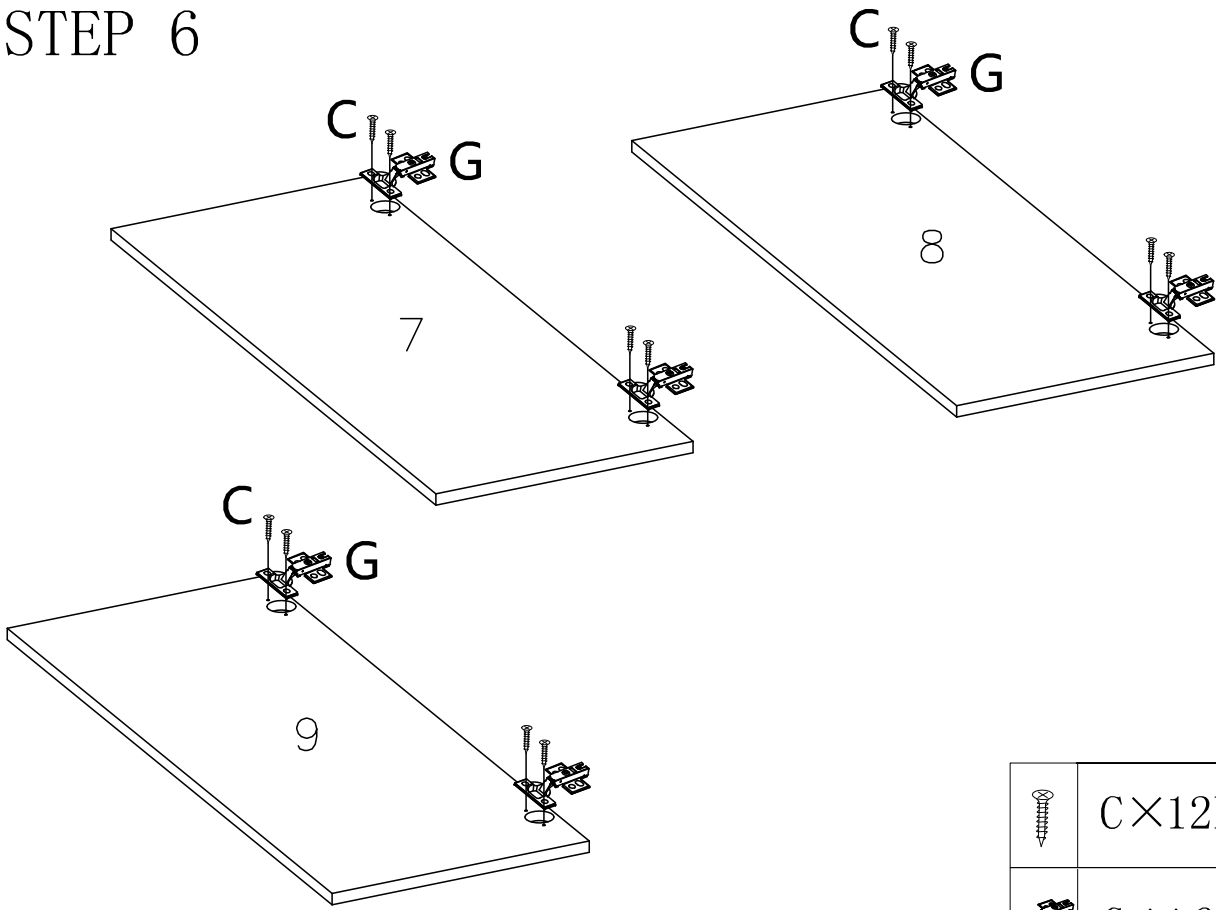




	N× 8PCS
	A2× 8PCS
	B× 4PCS

# STEP 5

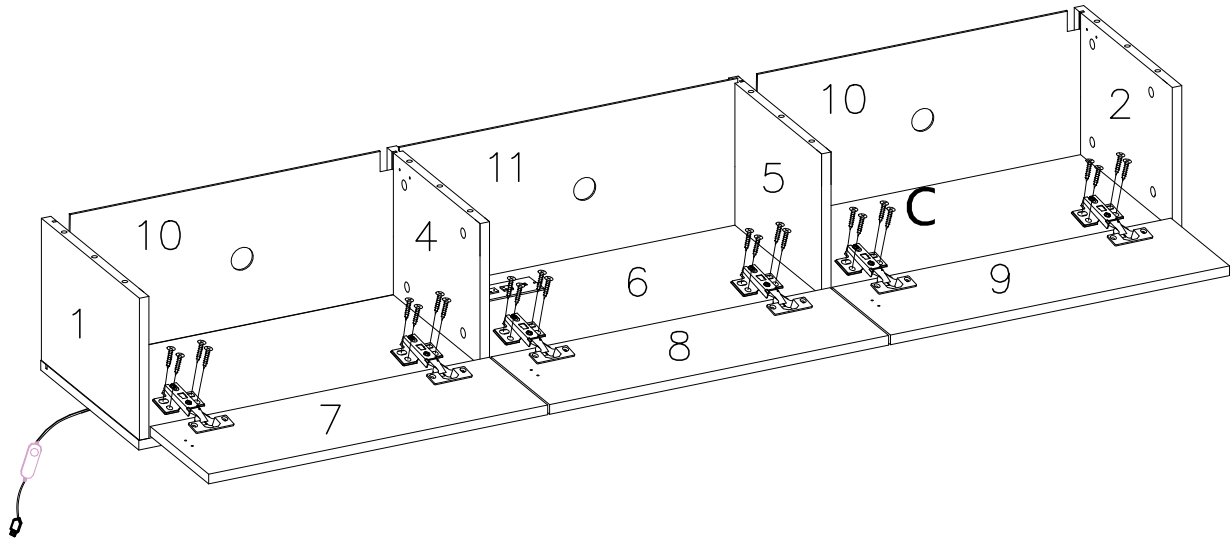



# STEP 6



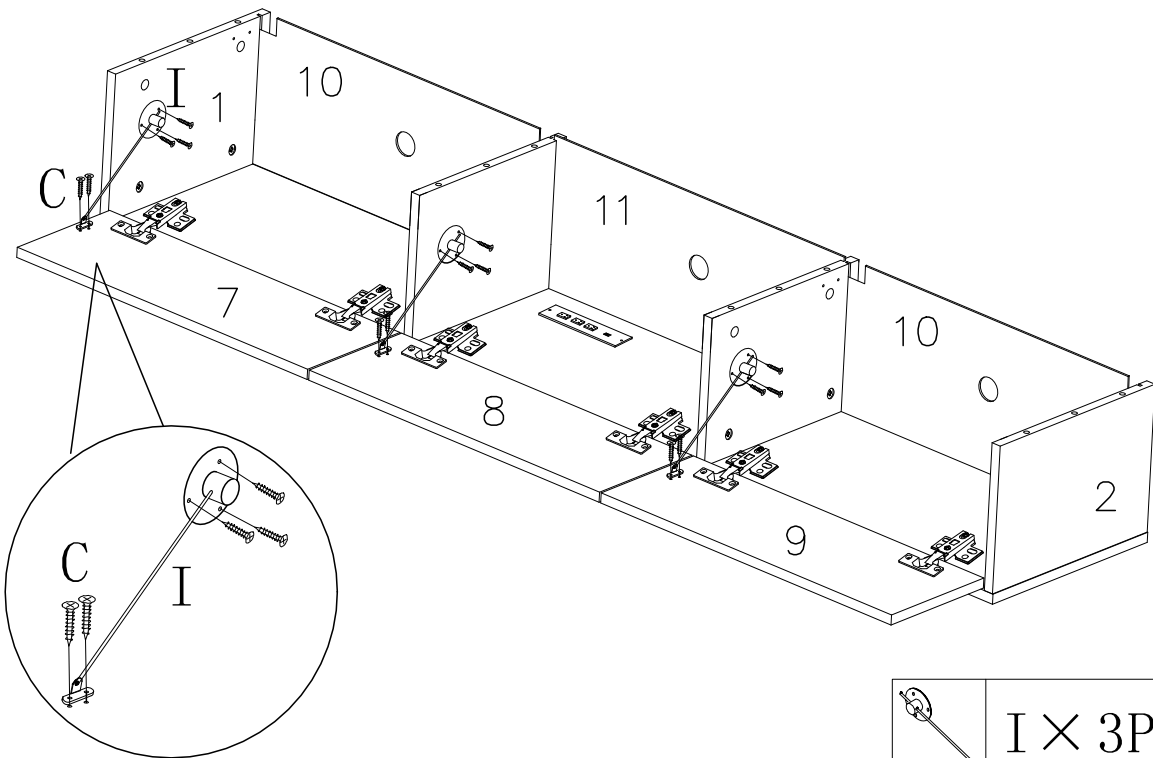
	C × 12PCS
	G × 6PCS


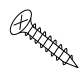
# STEP 7



	C x 24 PCS
---	------------

# STEP 8



	I x 3 PCS
	C x 15 PCS

# STEP 9

Diagram illustrating the assembly of the cabinet structure. Components are labeled 1, 2, 3, 7, 8, 9, 10, and 11. Callouts A, B, A2, and N indicate specific adjustment points or components.

	A2 × 8PCS
	N × 8PCS
	B × 4PCS

# STEP 10

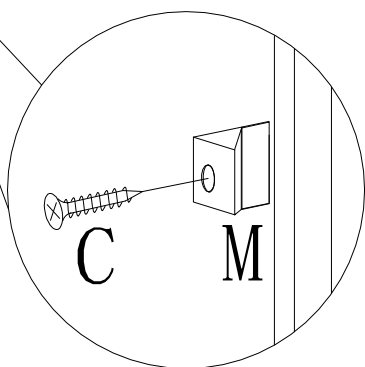
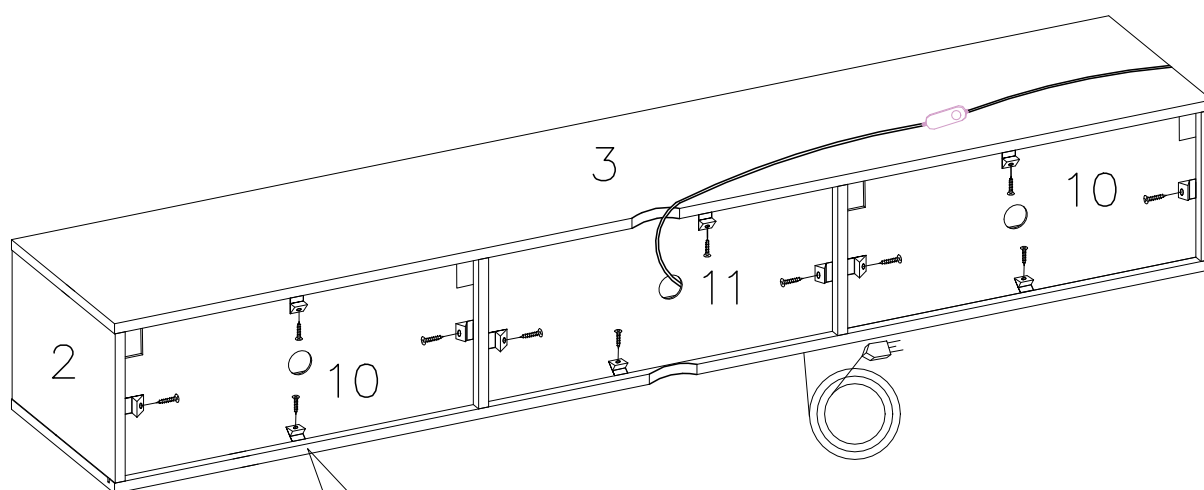
Diagram illustrating the fine-tuning of the cabinet door gap. Arrows indicate the direction of adjustment for components 7, 8, and 9.

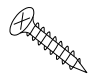
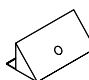
Cabinet door left and right fine adjustment

Cabinet door up and down fine adjustment

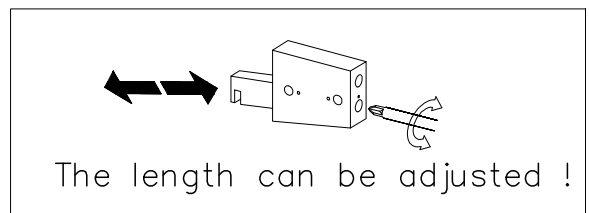
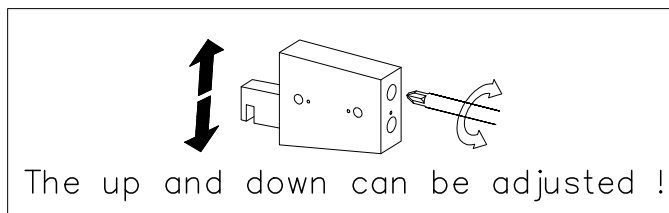
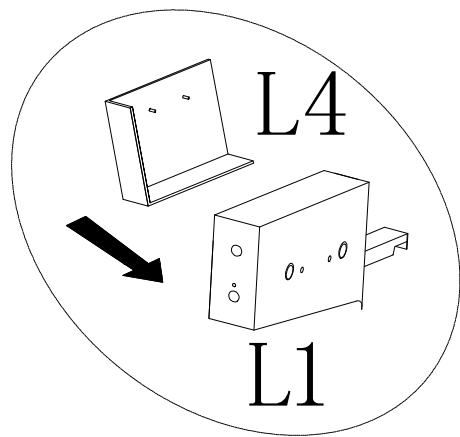
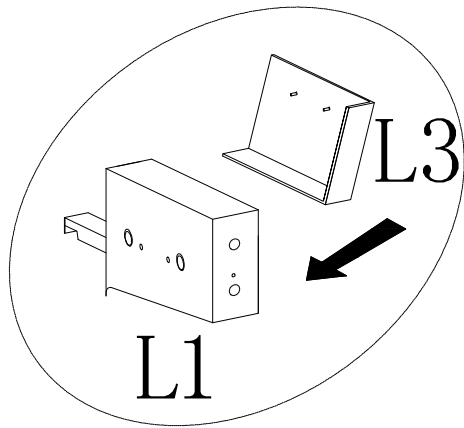
Fine-tune the gap after the cabinet door is closed

# STEP 11

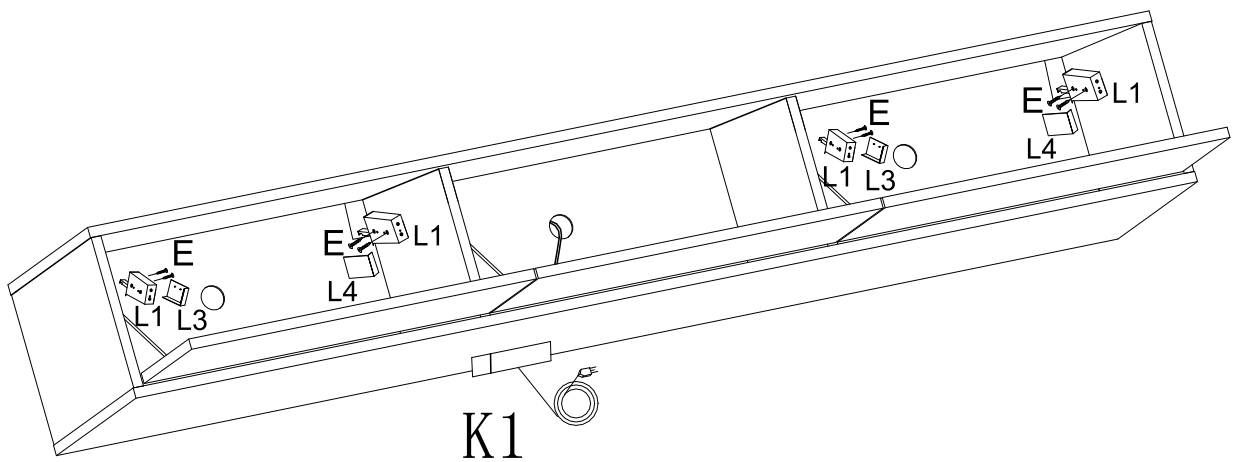




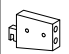

	C× 12PCS
	M× 12PCS

# STEP 12



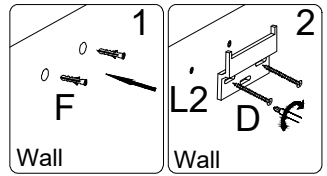
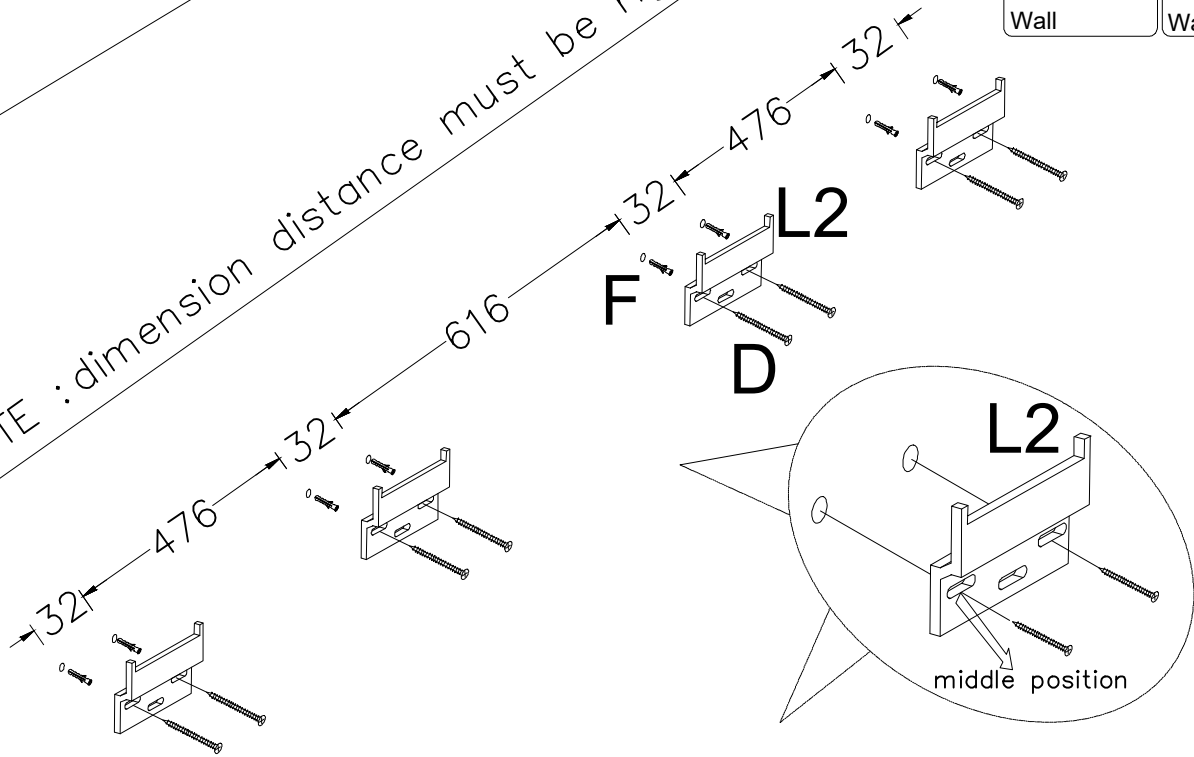
# STEP 13



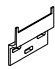


	E × 8PCS		L3 × 2PCS
	L1 × 4PCS		L4 × 2PCS

# STEP 14

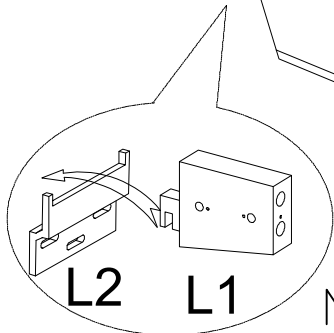
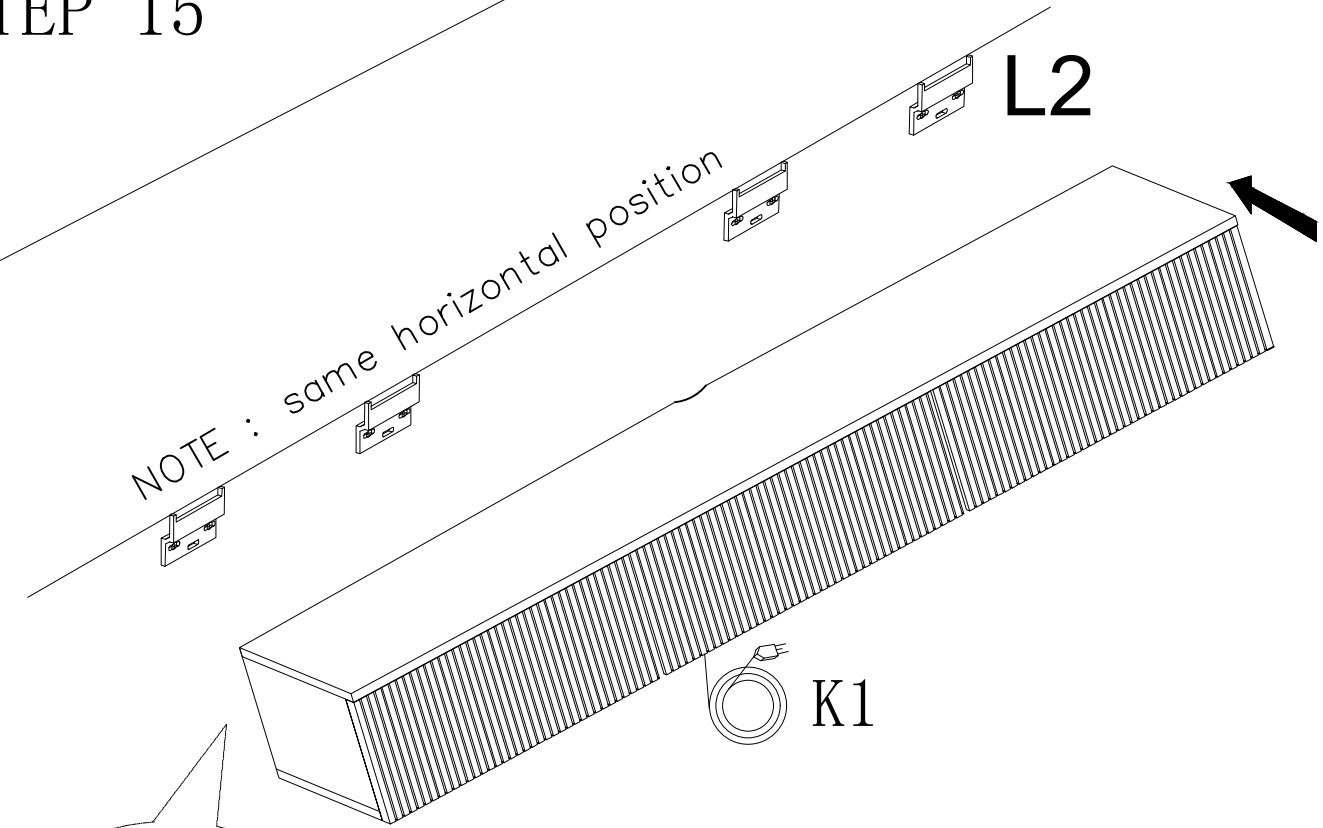
NOTE : dimension distance must be right !



	<b>DX 8PCS</b>		<b>FX 8PCS</b>		<b>L2 X 4PCS</b>
---	----------------	---	----------------	---	------------------

# STEP 15

NOTE : same horizontal position



NOTE : install the cabinet on the L2 !