



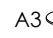

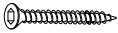
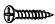



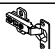

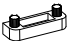


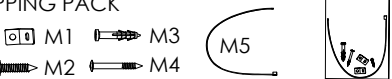
ASSEMBLY INSTRUCTIONS

PAGE: 1/5

Before you begin, please follow assembly instructions carefully, then follow them step by step.

Read instruction carefully . See Furniture Parts list and Hardware List for guidance . Be sure you have all parts before you start assembling . Place and assemble furniture on a clean flat soft surface , such as carpet or rug to prevent being scratched .

PART LIST		QTY
1	TOP PANEL	1 PC
2	BOTTOM PANEL	1 PC
3	SIDE PANEL (L)	1 PC
4	SIDE PANEL (R)	1 PC
5	SHELF PANEL	3 PCS
6	DOOR PANEL (L)	1 PC
7	DOOR PANEL (R)	1 PC
8	BACK PANEL	1 PC

HARDWARE				
A	MINI FIX	A1  A2  A3 	4 PCS	
B	M8 X 30MM WOOD DOWEL		8 PCS	
C	M6 X 50MM CSK CAP WOOD SCREW		4 PCS	
D	M3.5 X 16MM C.B SCREW		32 PCS	
E	METAL SHELF SUPPORT		12 PCS	
F	ALLEN KEY M4		1 PC	
G	5/8 NAIL		20 PCS	
H	5/8 HINGES		4 PCS	
I	MOOD HANDLE		2 PCS	
J	DRAWER STOPPER(2 PIN)		1 PC	
K	PVC ROUND LEG		4 PCS	
L	M4 X 25MM C.B SCREW		4 PCS	
M	TIPPING PACK		2 SETS	

SELF-PREPARED TOOLS: Tools below are NOT included in package.



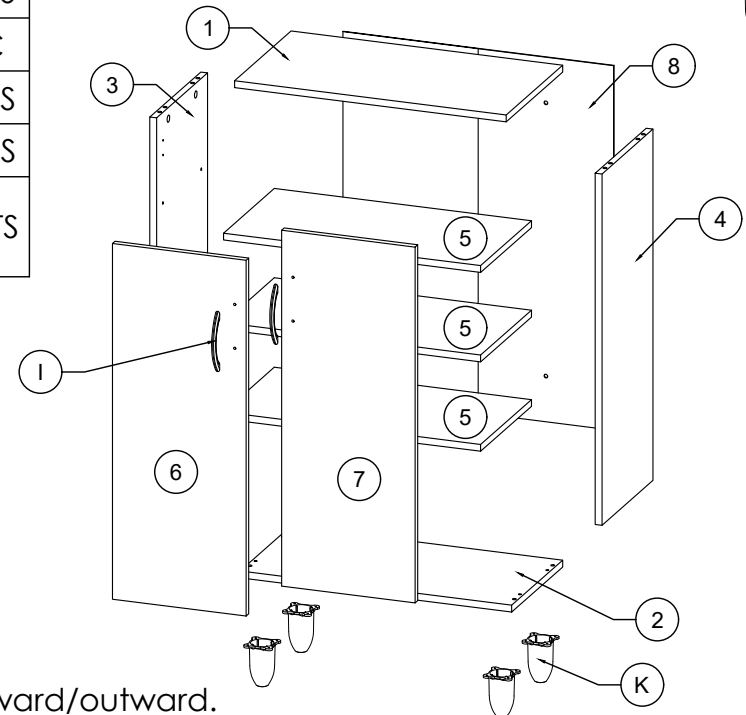
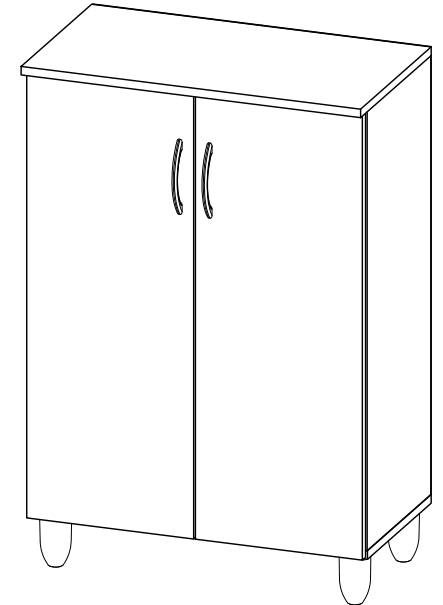
SCREWDRIVER



HAMMER



POWER DRILL



Reminder:

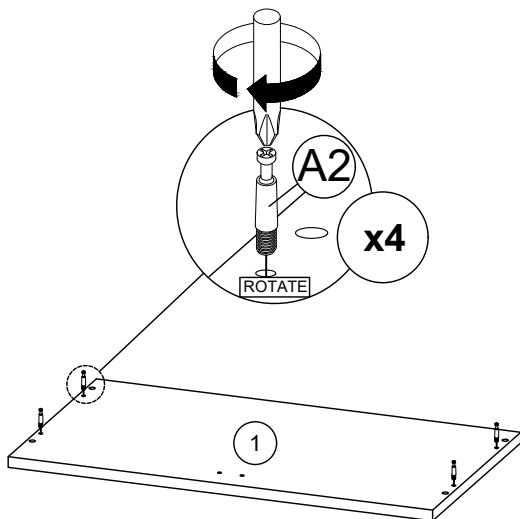
Please ensure that all surfaces and edges with colours/laminations are facing forward/outward.

ASSEMBLY INSTRUCTIONS

PAGE: 2/5

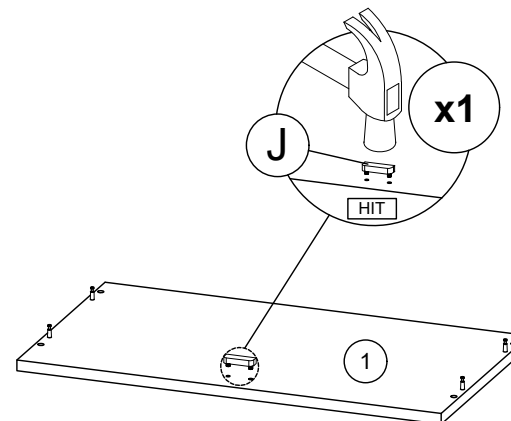
STEP 1

Insert hardware **A2** onto panel **(1)**.
(Repeat 4 times.)



STEP 2

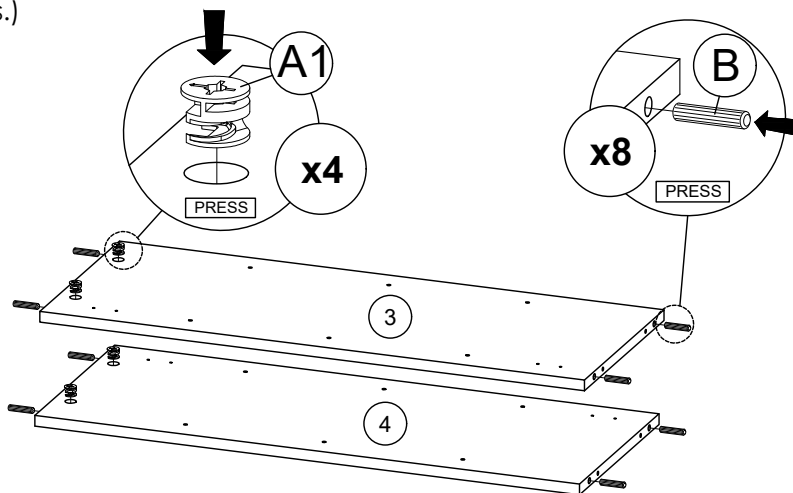
Hit hardware **J** onto panel **(1)**.
(Repeat 1 times.)



* In this step hardware **A2** are pre-inserted.

STEP 3

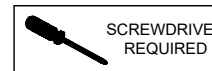
- Insert hardware **A1** onto panel **(3)** and **(4)**.
(Repeat 4 times.)
- Insert hardware **B** onto panel **(3)** and **(4)**.
(Repeat 8 times.)



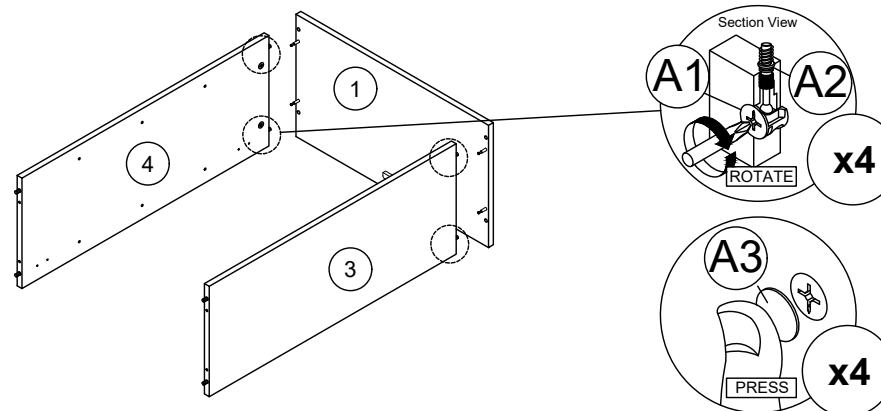
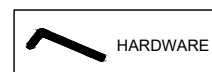
* Ensure the arrows on hardware **A1** point towards mounting positions.

STEP 4

- Attach panel **(3)** and **(4)** to panel **(1)**.
- Insert all hardware **A2** into **A1**.
- Rotate all **A1** until tight.
- Apply **A3** onto all **A1**.
(Repeat 4 times.)



OR



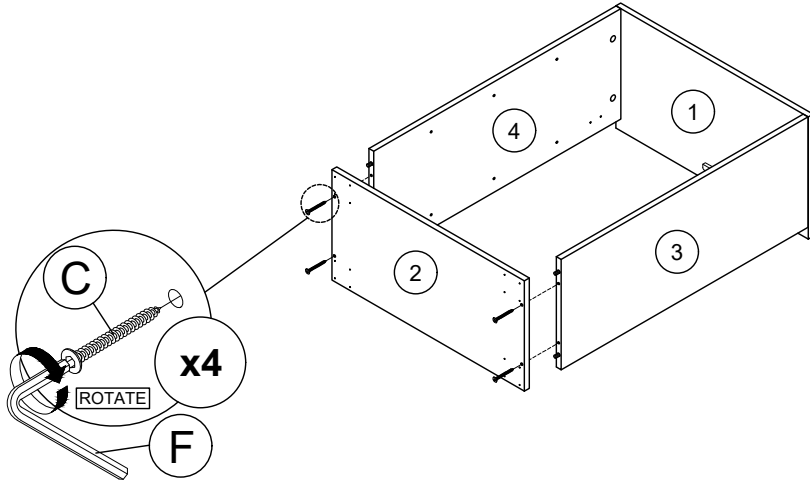
* In this step hardware **A1**, **A2** and **B** are pre-inserted.

ASSEMBLY INSTRUCTIONS

PAGE: 3/5

STEP 5

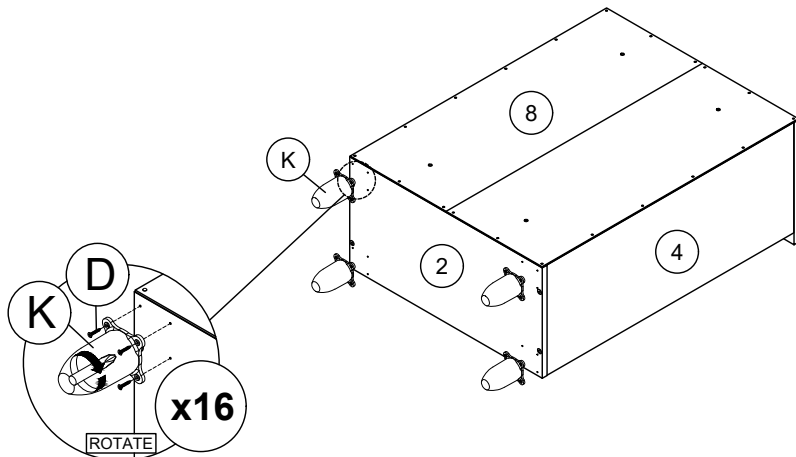
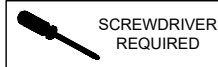
Connect panel (2) to panel (3) and (4) by using hardware C and F.
(Repeat 4 times.)



* In this step hardware B are pre-inserted.

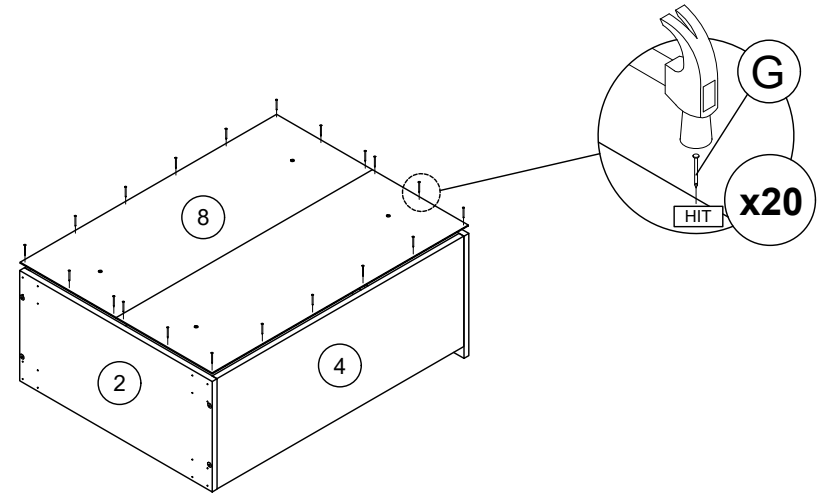
STEP 7

Assemble hardware K into panel (2) by using hardware D.
(Repeat 16 times.)



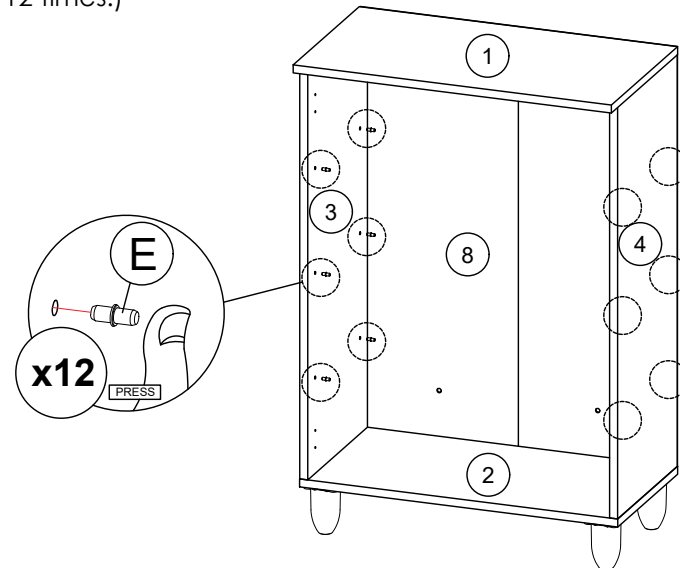
STEP 6

Assemble panel (8) to entire body with hardware G.
(Repeat 20 times.)



STEP 8

Insert hardware E into mounting positions on panel (3) and (4) by hand.
(Repeat 12 times.)

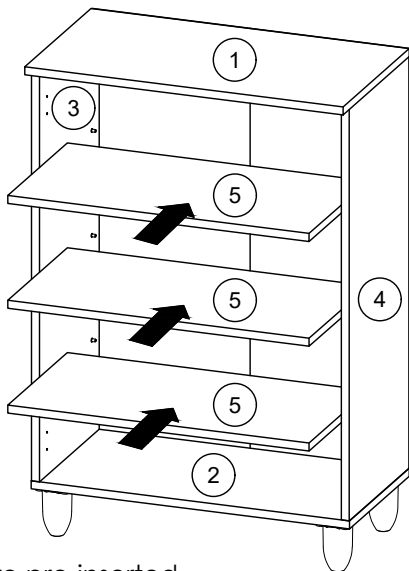


ASSEMBLY INSTRUCTIONS

PAGE: 4/5

STEP 9

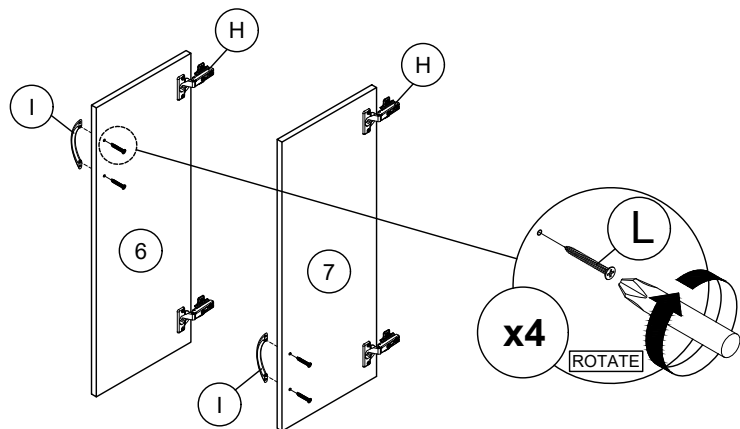
Assemble the panel (5) into between panel (3) and (4).
(Repeat 3 times.)



* In this step hardware E are pre-inserted.

STEP 11

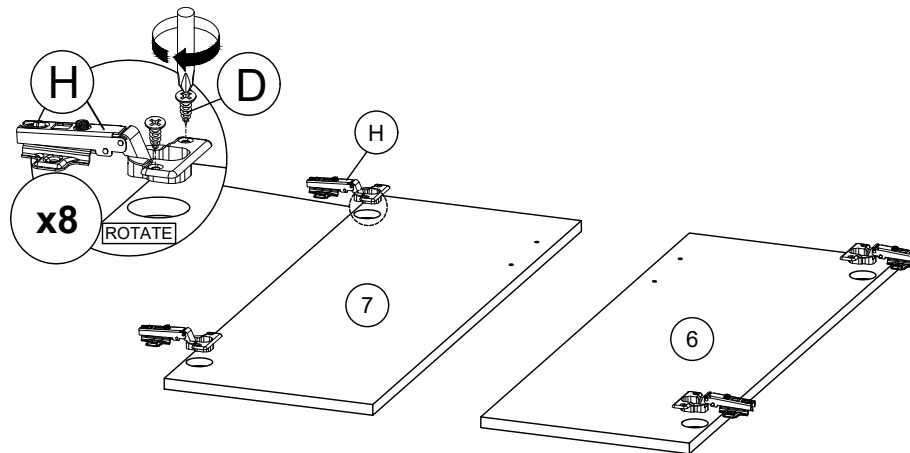
Fix hardware I onto panel (6) and (7) by using hardware L.
(Repeat 4 times.)



* In this step hardware H have been assembled.

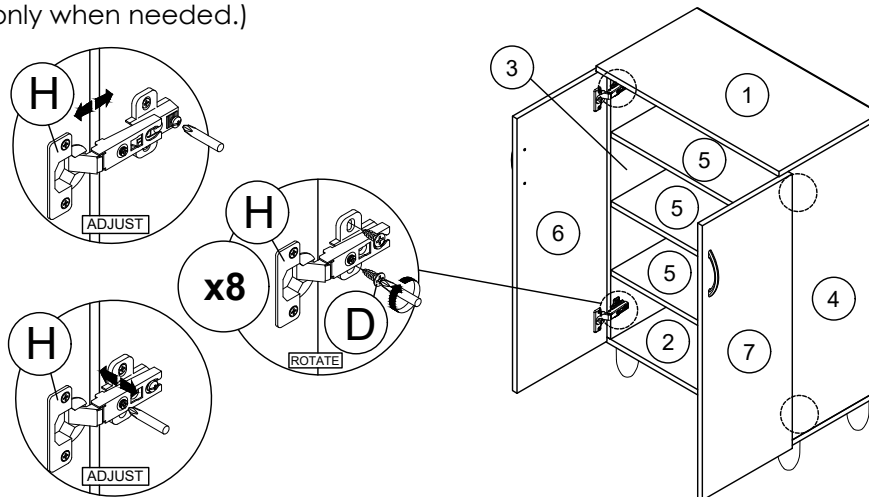
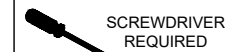
STEP 10

Fix hardware H onto panel (6) and (7) by using hardware D.
(Repeat 8 times.)



STEP 12

- Fix hardware H into panel (3) and (4) by using hardware D.
(Repeat 4 times.)
- Tighten or loosen the screw to adjust position of panel (6) and (7).
(Do only when needed.)



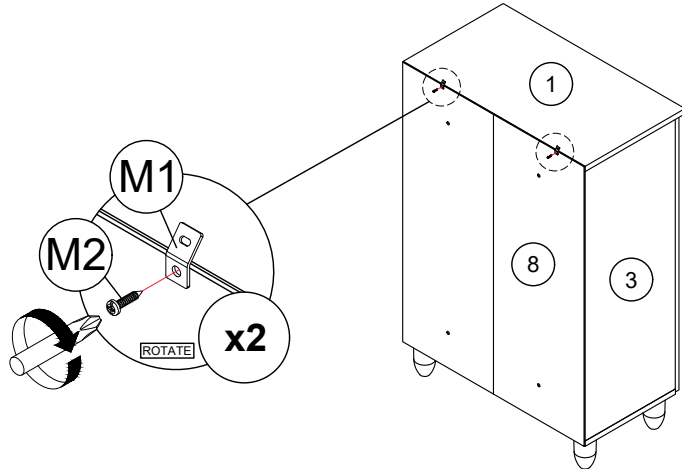
* In this step hardware H have been assembled in panel (6) and (7).

ASSEMBLY INSTRUCTIONS

PAGE: 5/5

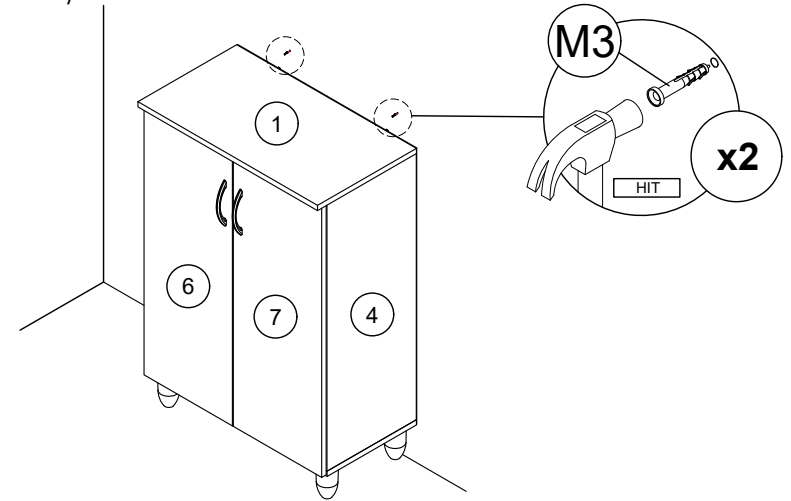
STEP 13

Assemble hardware **M1** into panel **(1)** and **(8)** by using hardware **M2**.
(Repeat 2 times.)



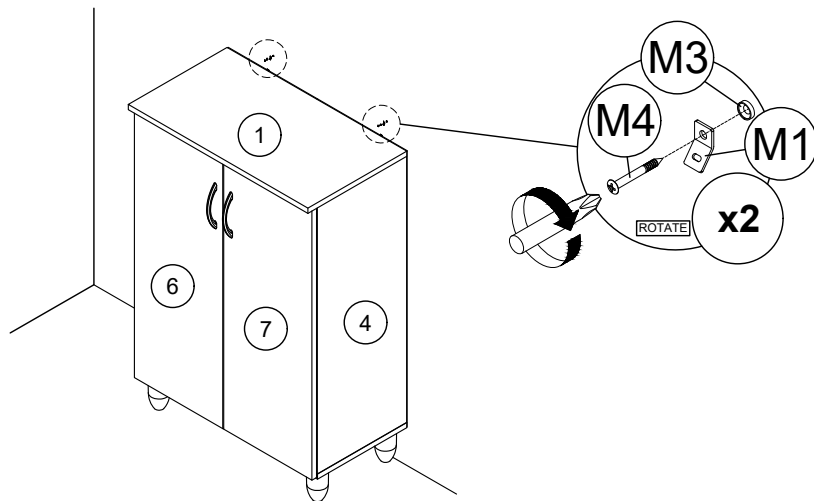
STEP 14

- Mark and use the power drill to drill a hole on the wall.
- Hit hardware **M3** into the wall.
(Repeat 2 times.)



STEP 15

- Assemble hardware **M1** to **M3** by using hardware **M4**.
(Repeat 2 times.)



STEP 16

- Connect two of the hardware **M1** by using hardware **M5**.
- Tighten the hardware **M5**.
(Repeat 2 times.)

