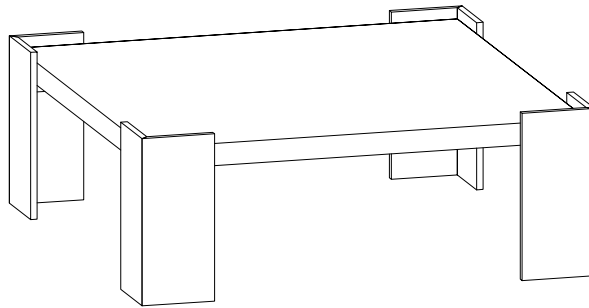


# MARBLE COFFEE TABLE

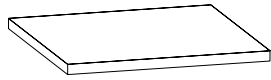
## Assembly Instructions



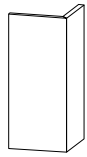
Everything we make is incredibly simple to set up, including your new Coffee table. You won't need any additional tools.

#### Parts List

A X 1  
Marble Top



B X 4  
Legs

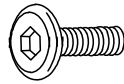


#### Hardware List

HW1 x 1  
Allen Key M4

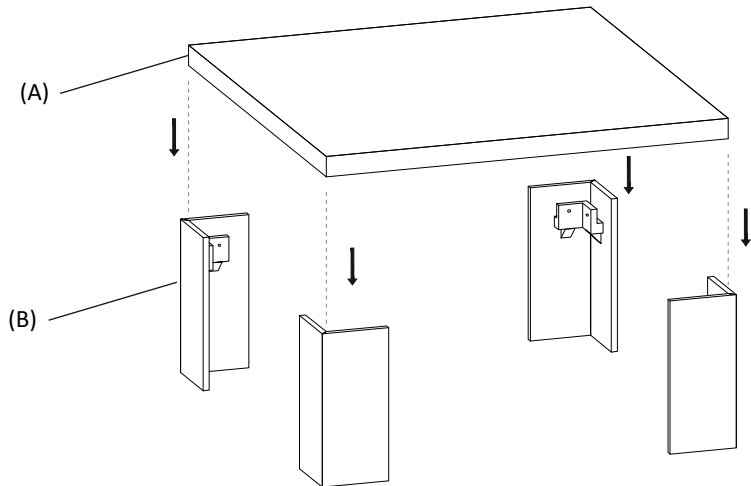


HW2 x 12  
JCB Bolt 25x6mm



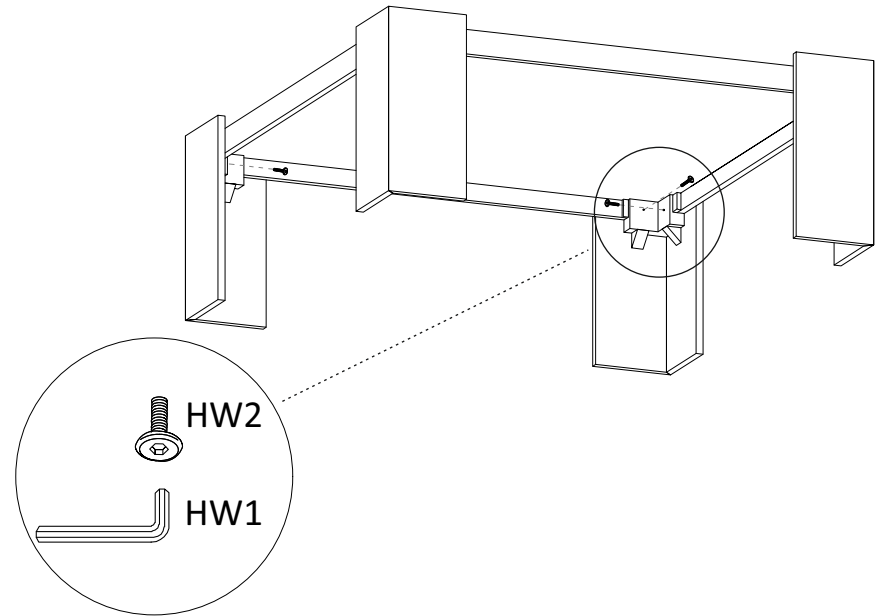
### 1

Place the 4 legs (B) upright on a soft surface and place the marble top (A) on the legs (B).  
Note:- Hold all the legs carefully until the top is completely tightened on the legs. Mind the fingers while placing the top on the legs.



### 2

Use the allen key (HW2) to screw in the bolts (HW1) to attach the table top (A) to the legs (B).  
Note:- Make sure all the legs are aligned properly before tightening bolts.



### 3

Place the Coffee table in the place where you will use it. We'd love to see it - just tag us

