

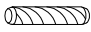
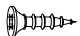
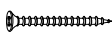
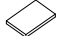







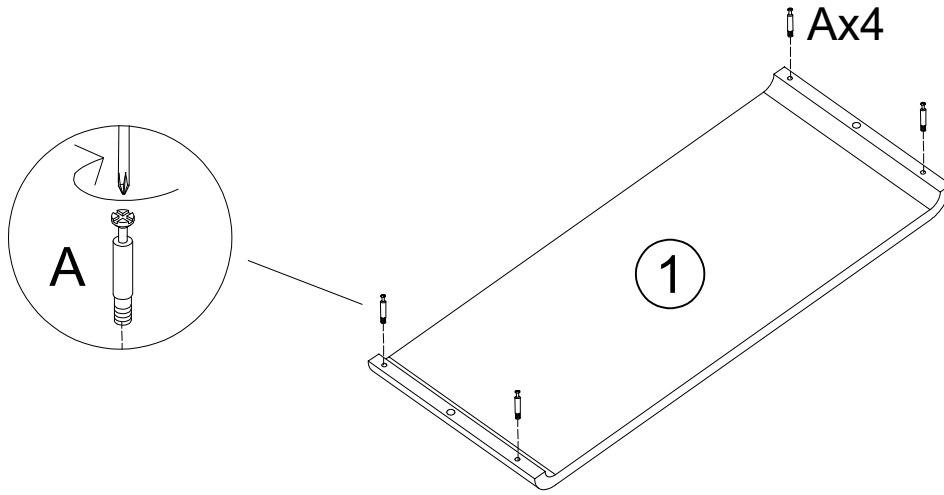
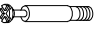


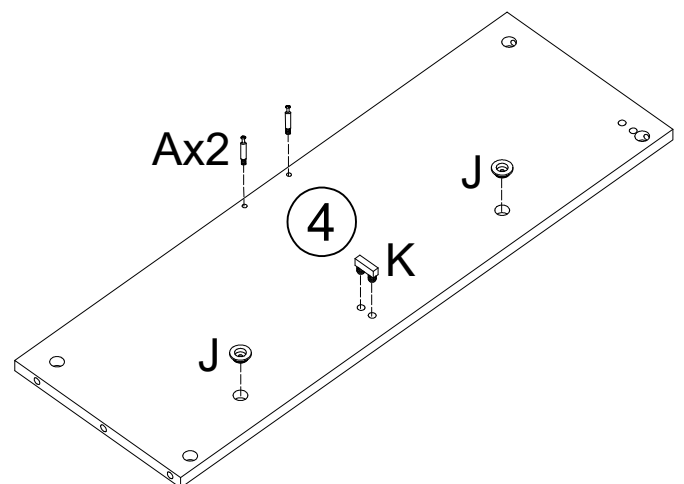
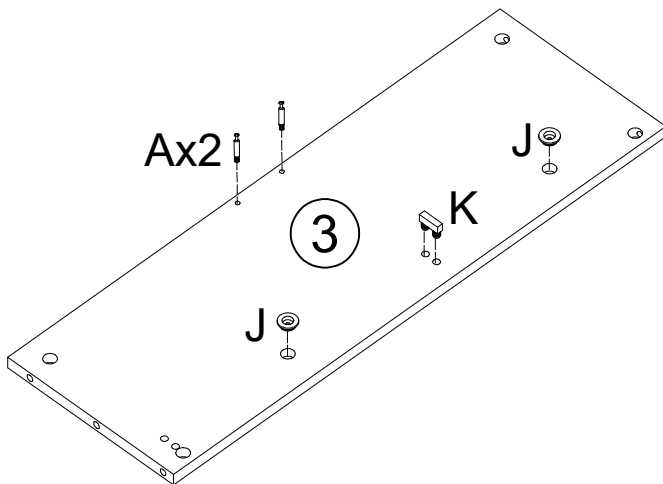
A	x20	B	x20	C	x16	D	x28	E	x12	F	x4	G	x2	H	x2	I	x4
																	
M6x35mm	Φ15mm	Φ8x30mm	M3.5x14mm	M4x35mm	EVA												
J	x4	K	x4	L	x2	M	x2										
																	

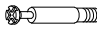


1



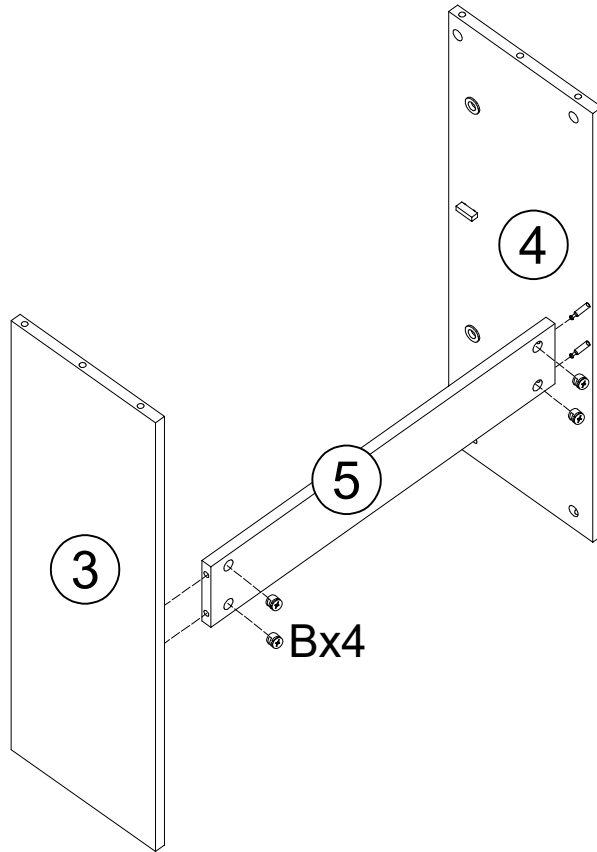
A	x4
	
M6x35mm	


2



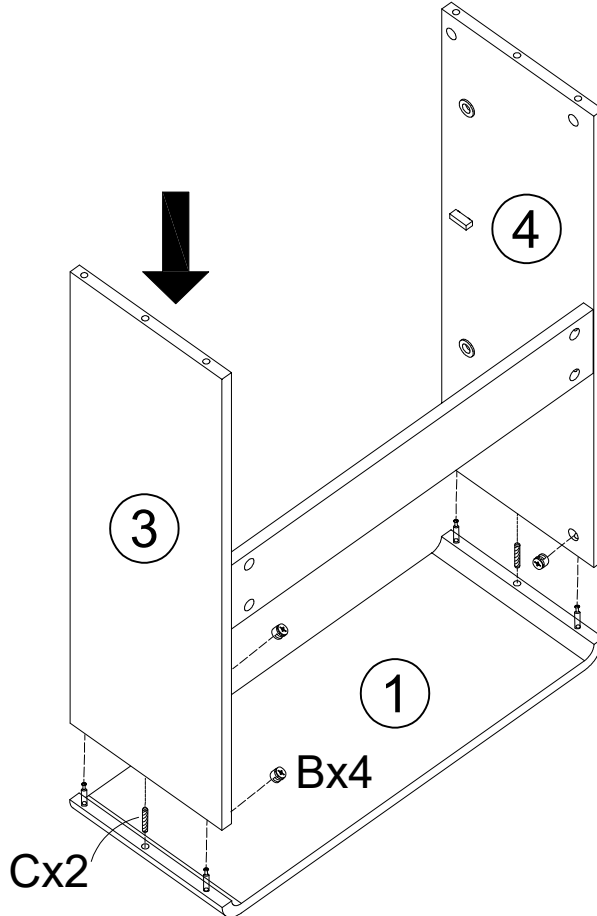
A	x4	J	x4	K	x2
					
M6x35mm					



3



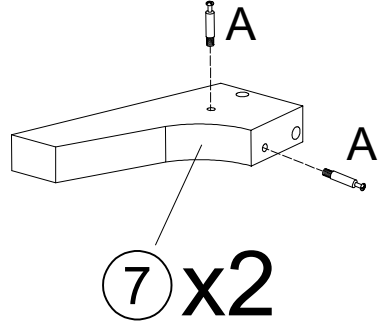
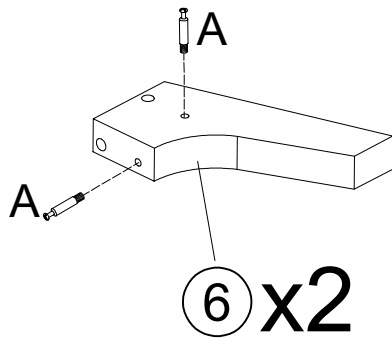
B	x4
	
Φ15mm	

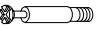
4



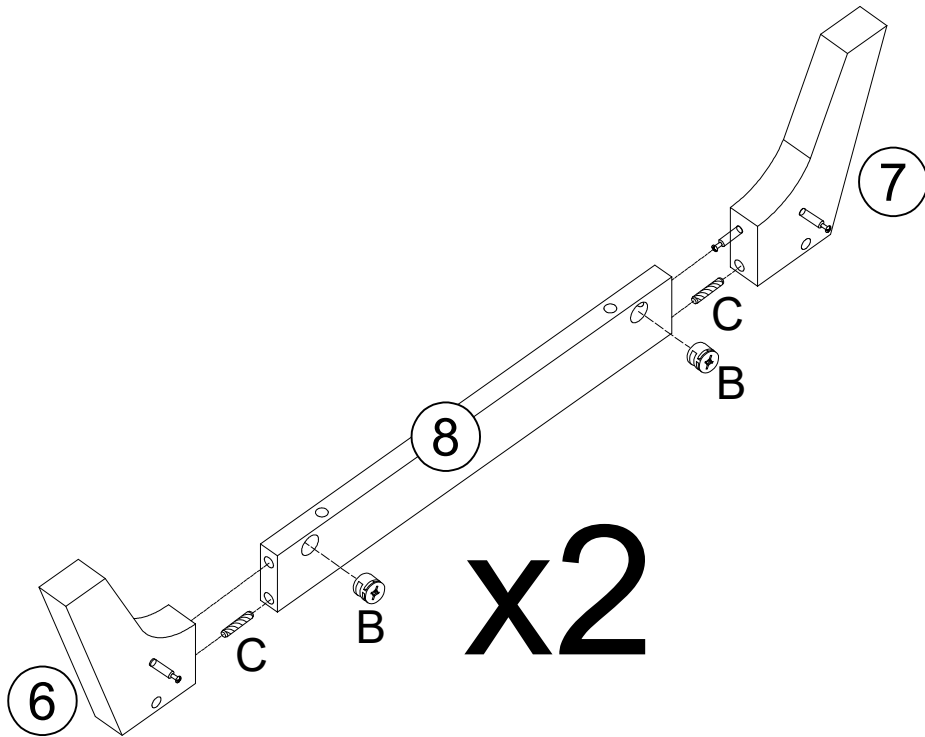
B	x4	C	x2
			
Φ15mm		Φ8x30mm	



5



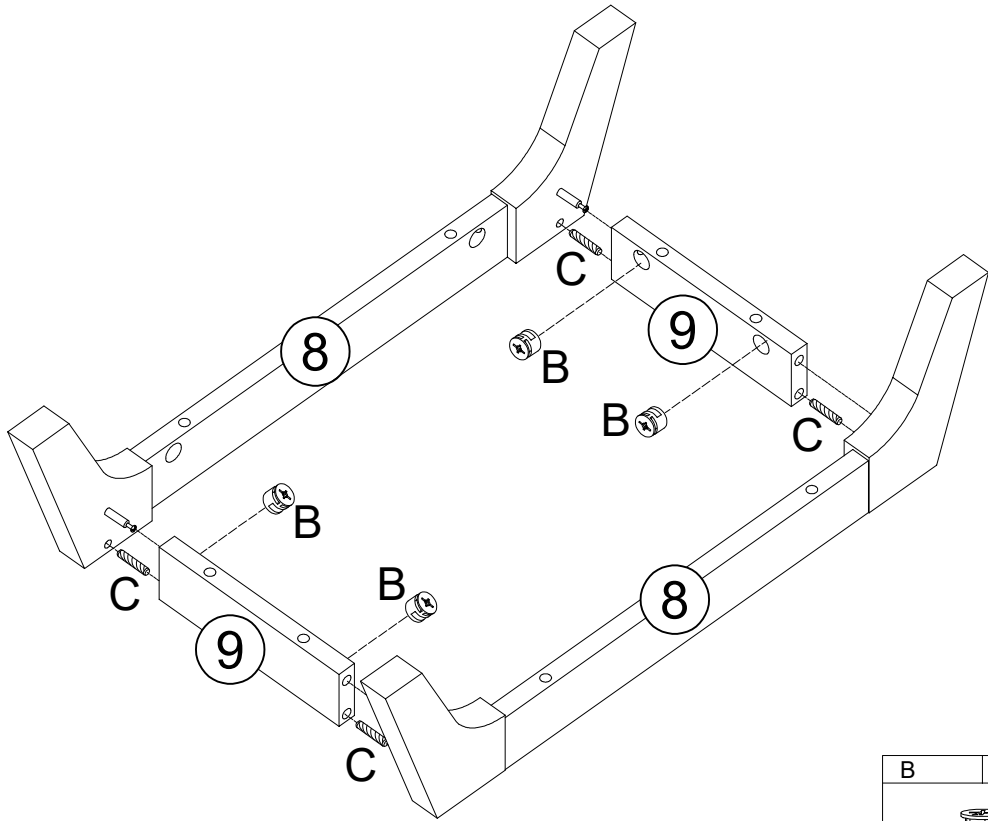
A	x8
	
M6x35mm	


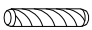
6



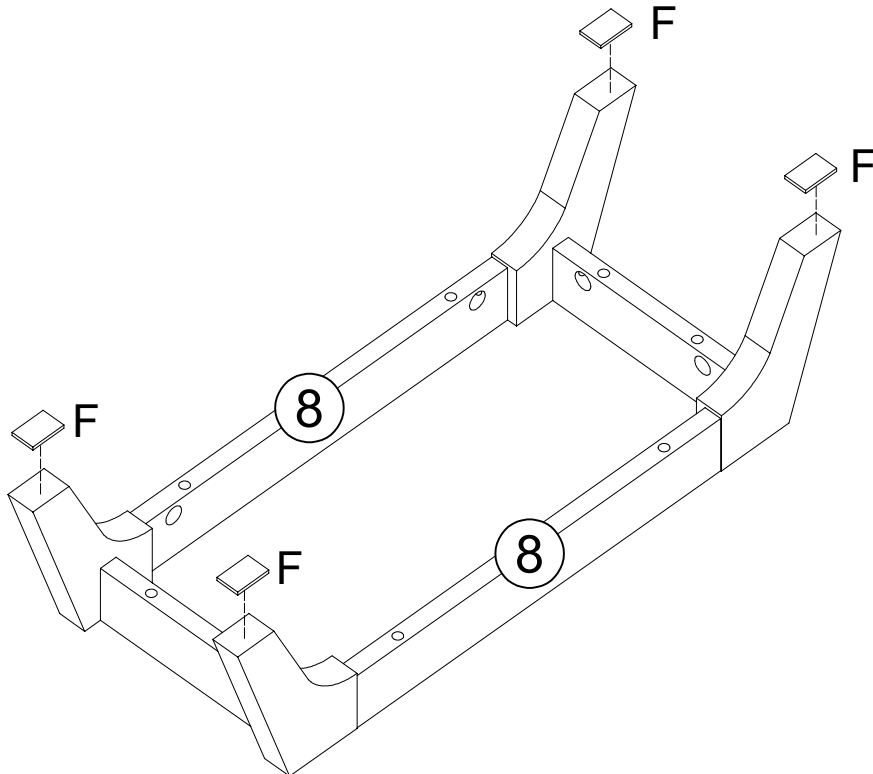
B	x4	C	x4
			
Φ15mm		Φ8x30mm	


7



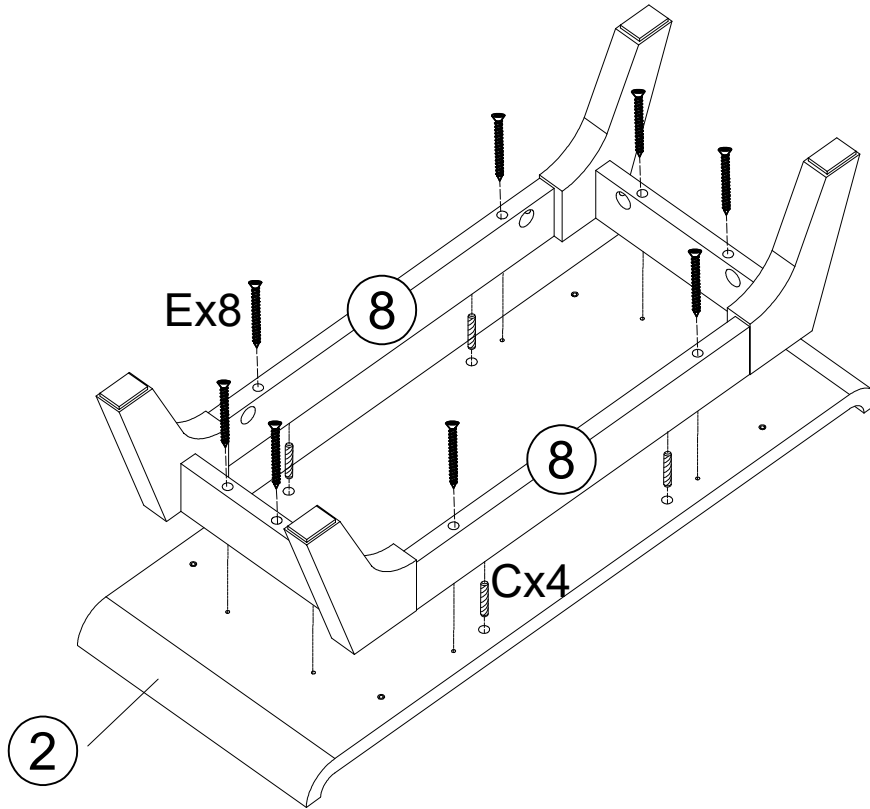
B	x4	C	x4
			
Φ15mm		Φ8x30mm	

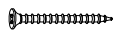
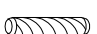
8



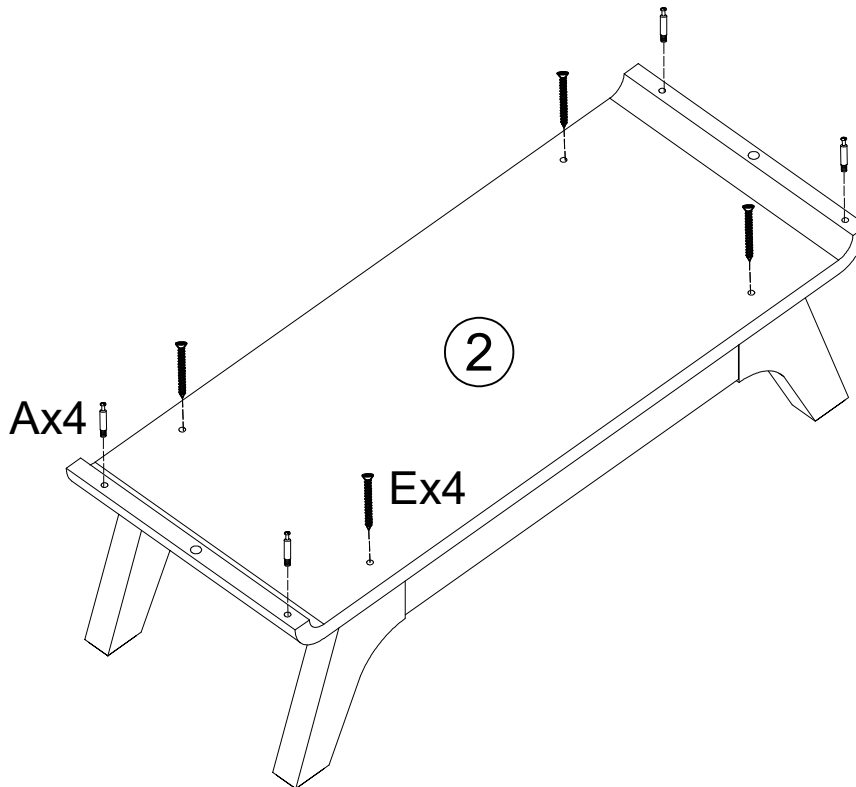
F	x4
	
EVA	

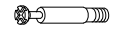
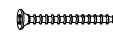
9



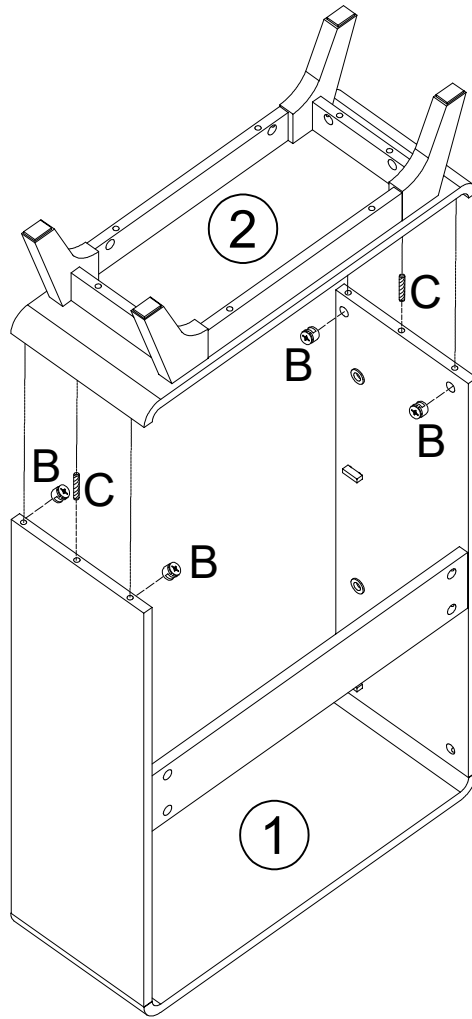
E	x8	C	x4
			
M4x35mm		Φ8x30mm	



10



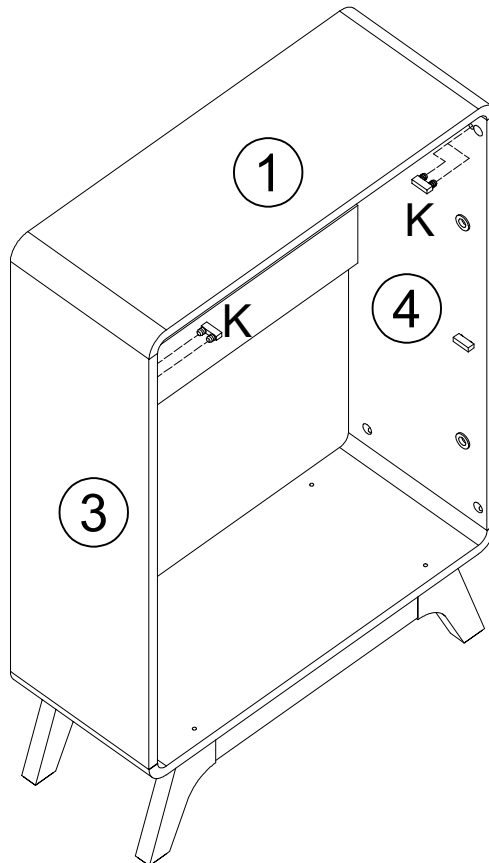
A	x4	E	x4
			
M6x35mm		M4x35mm	


11



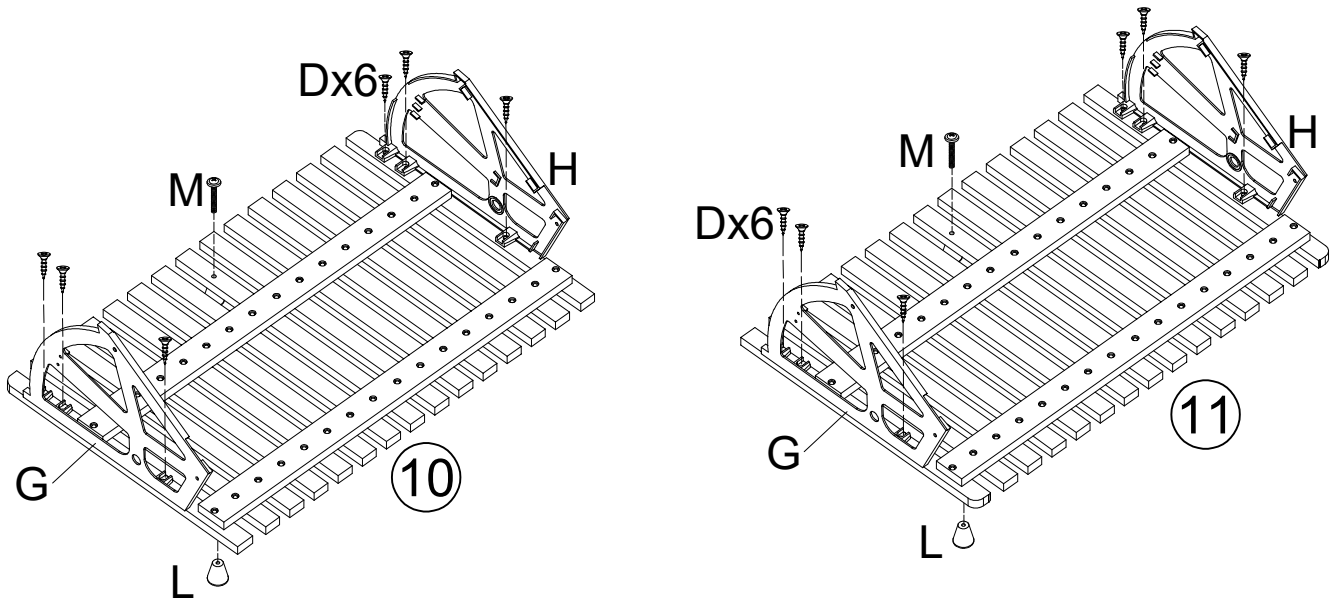
B	x4	C	x2
			
Φ15mm		Φ8x30mm	






12



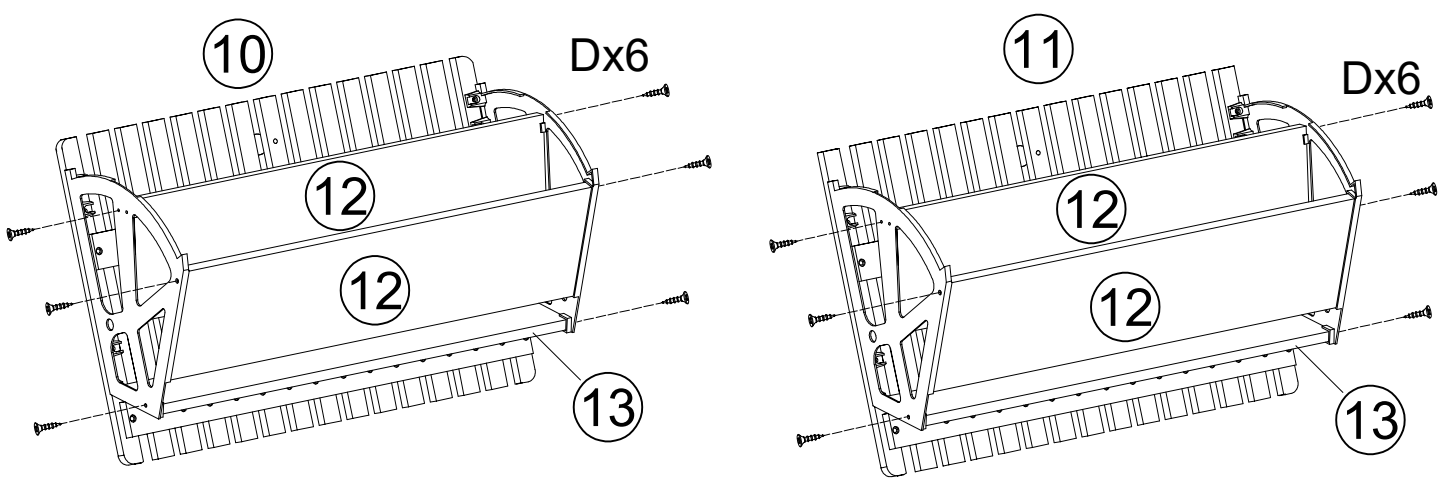
K	x2
	


13

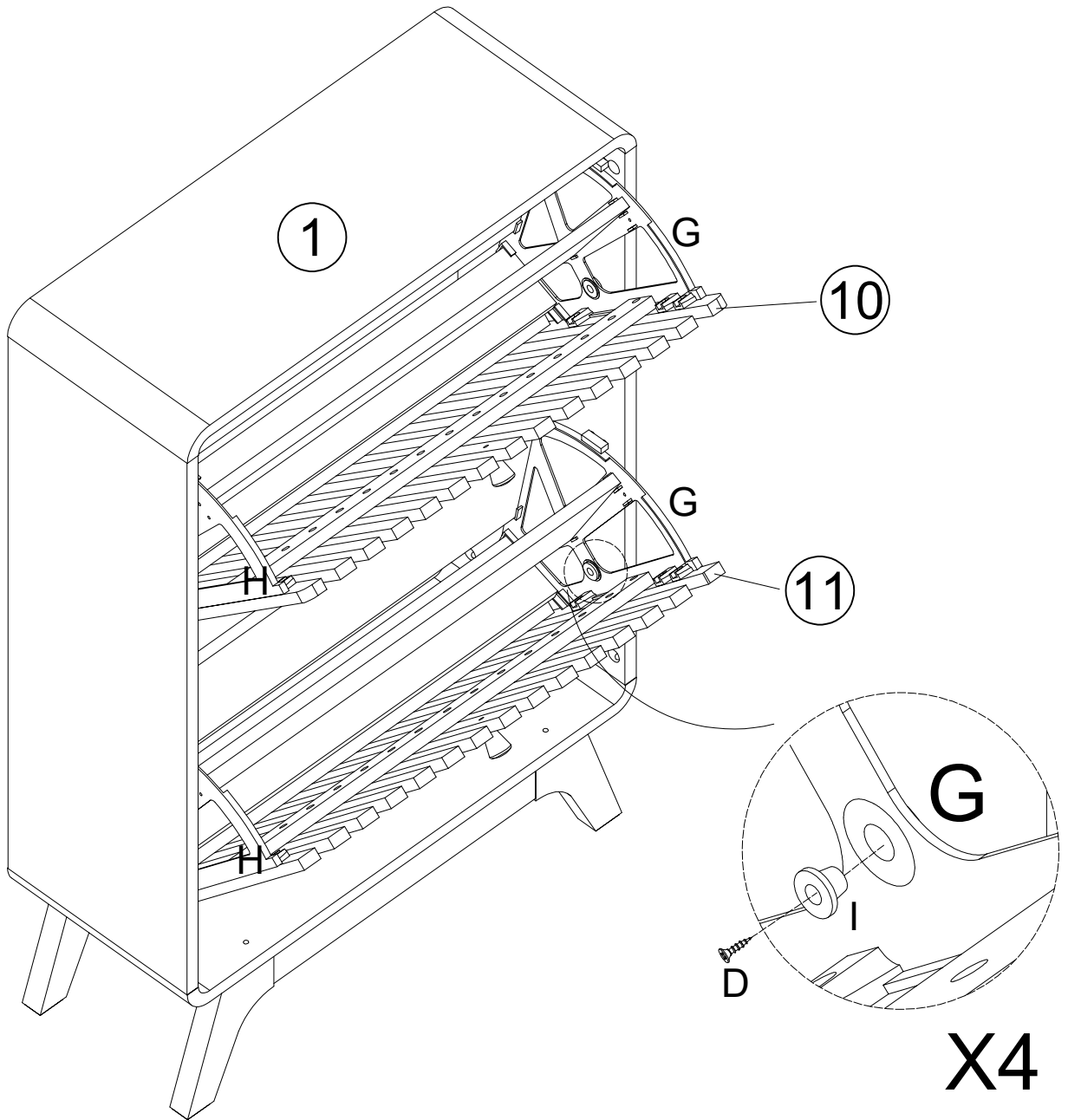


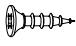

D	x12	G	x2	H	x2	L	x2	M	x2
									
M3.5x14mm									

14



D	x12
	
M3.5x14mm	



D	x4	I	x4
			
M3.5x14mm			