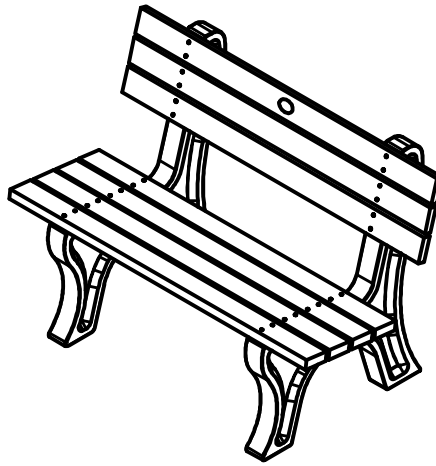


# 4' Park Bench

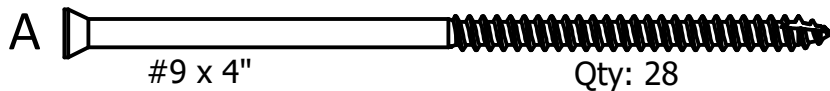
## Assembly Guide



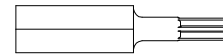
\*Actual Style May Vary from the One Pictured in this Guide

BENSQ43

### HARDWARE INCLUDED



### TOOLS INCLUDED



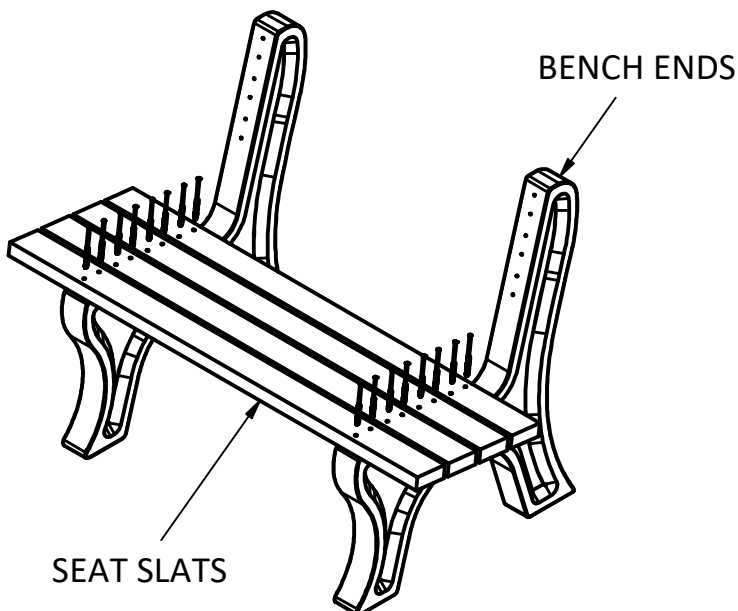
T-20 TORX BIT

### CUSTOMER SUPPLIED TOOLS

Cordless screwdriver/drill OR  
multi-bit handle for the square bit

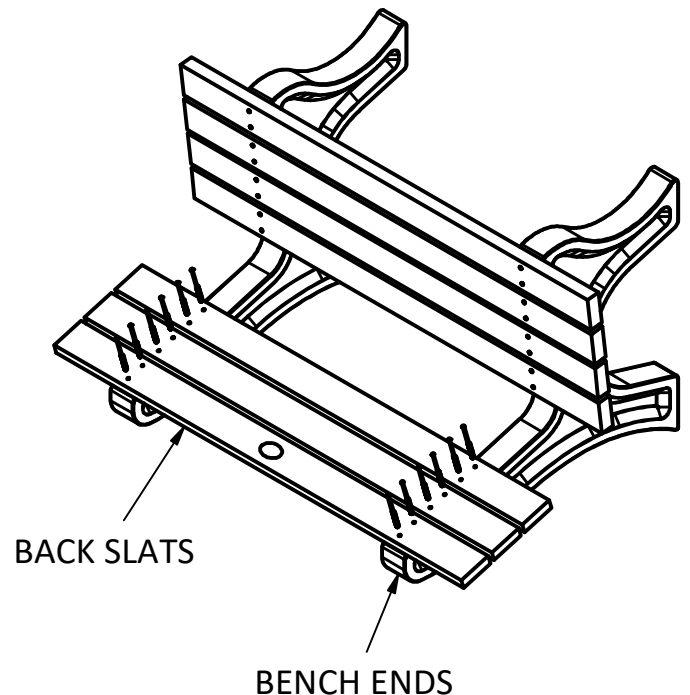
### IMPORTANT!

DO NOT fully tighten bolts until all bolts are started.



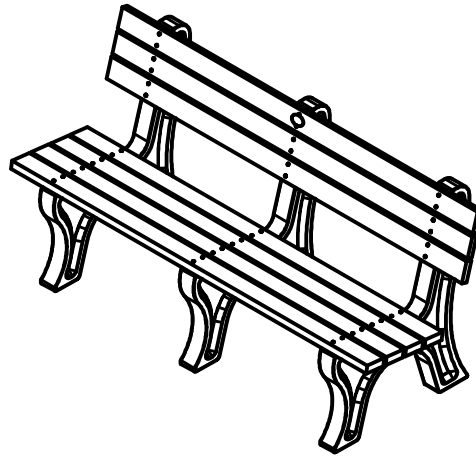
1) Attach (4) Seat Slats to (2) Bench Ends using (16) "A" Screws as shown.

2) Attach (3) Back Slats to (2) Bench Ends using (12) "A" Screws as shown.  
\*The Slat with Badge to be on Top\*



# 6' Park Bench

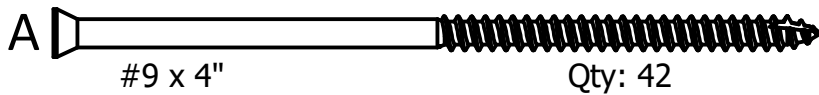
## Assembly Guide



\*Actual Style May Vary from the One Pictured in this Guide

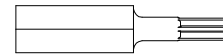
BENSQ63

### HARDWARE INCLUDED



Qty: 42

### TOOLS INCLUDED



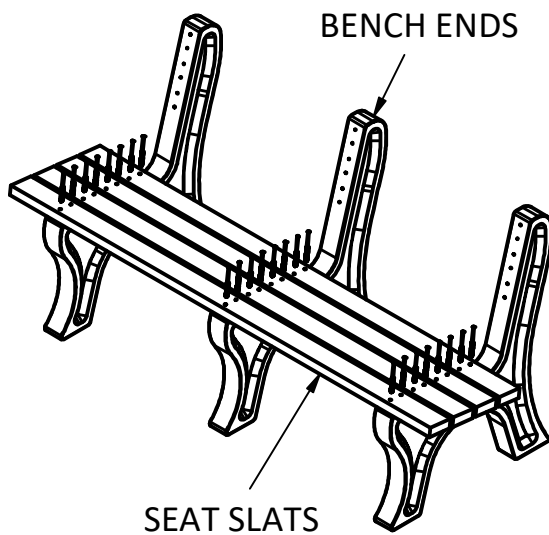
T-20 TORX BIT

### CUSTOMER SUPPLIED TOOLS

Cordless screwdriver/drill OR  
multi-bit handle for the square bit

### IMPORTANT!

DO NOT fully tighten bolts until all bolts are started.



1) Attach (4) Seat Slats to (3) Bench Ends using (24) "A" Screws as shown.

2) Attach (3) Back Slats to (3) Bench Ends using (18) "A" Screws as shown.

\*The Slat with Badge to be on Top\*

