


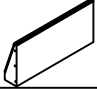

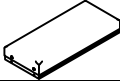





CARE AND MAINTENANCE

Wipe clean with a soft, dry cloth. The seat board can be cleaned with a mild cleaner. Test the cleaning method on a hidden area before using them over the entire area.

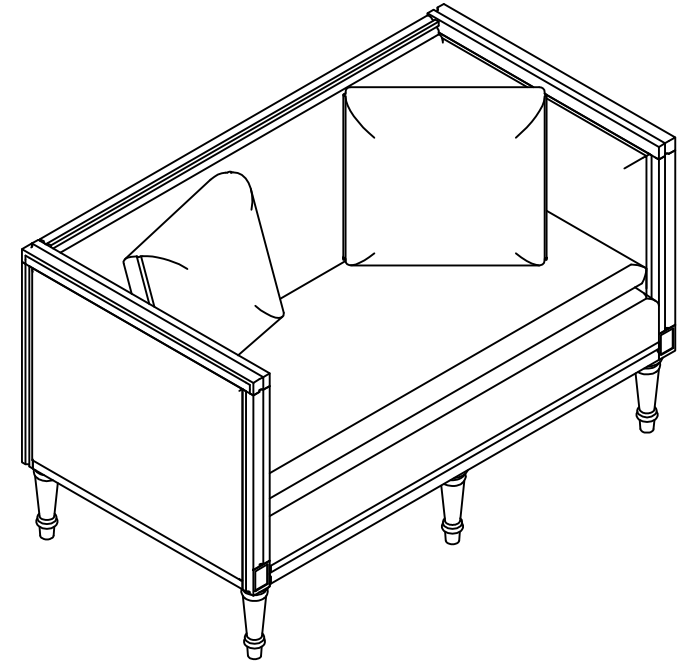
NOTICE

- * Please make sure that you have all parts indicated before you begin assembly of this item.
- * This item should be assembled on a soft surface to prevent scratching the finished product during assembly.
- * This item may require periodic tightening.
- * Do not tighten bolts until completely assembled.

Part List and Hardware List

Piece	Description	Picture	Quantity
A	LEG		6 X
B	CHAIR BACK		1 X
C	SEAT FRAME		1X
D	SEAT CUSHION		1X
E	PILLOW		2 X
F	LEFT SIDE ARMREST		1 X
G	RIGHT SIDE ARMREST		1 X
H1	BOLT 5/16* 2"		22 X
H2	ALLEN KEY 4mm		1 X

Product Dimensions: 53"W*28-3/4"D*31-1/2"H
Pillow: 18"W*18"D

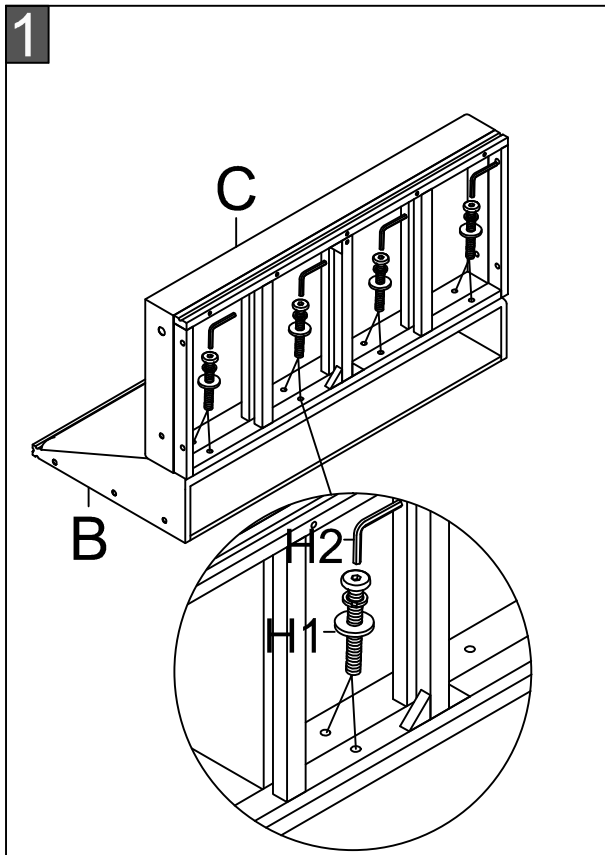


PREPARATION

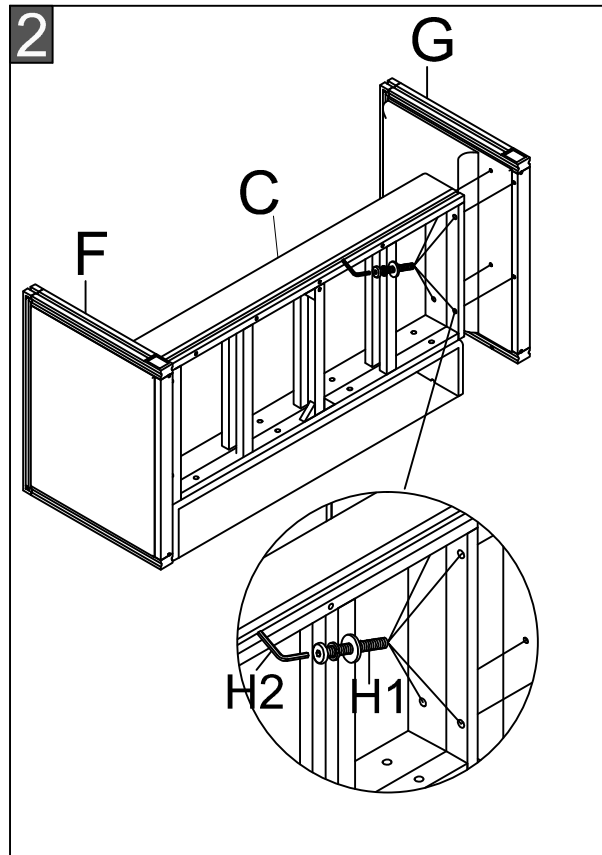
Before beginning assembly of product, make sure all parts are present. Compare parts with package contents list and hardware contents list. If any part is missing or damaged, do not attempt to assemble the product.

Estimated Assembly Time:30 minutes.

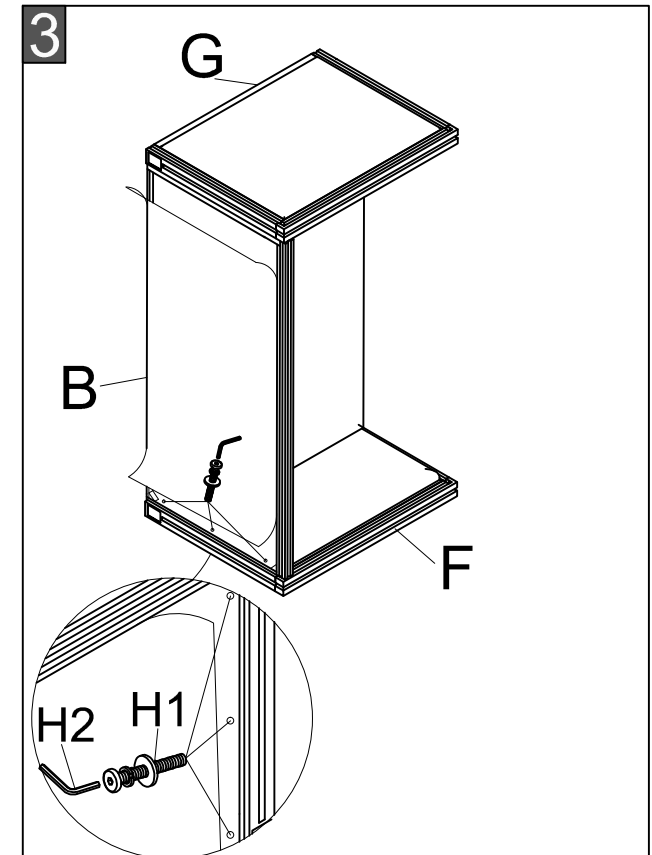
Tools Required for Assembly (included):Allen key.



Step 1:
Place the seat frame (C) with the chair back (B) together as picture. Then, use the allen key "H2" to lock 8 bolts "H1"



Step 2:
Attach the left (F) / right (G) side armrest with seat frame. Then, use the allen key "H2" to lock 8 bolts "H1"



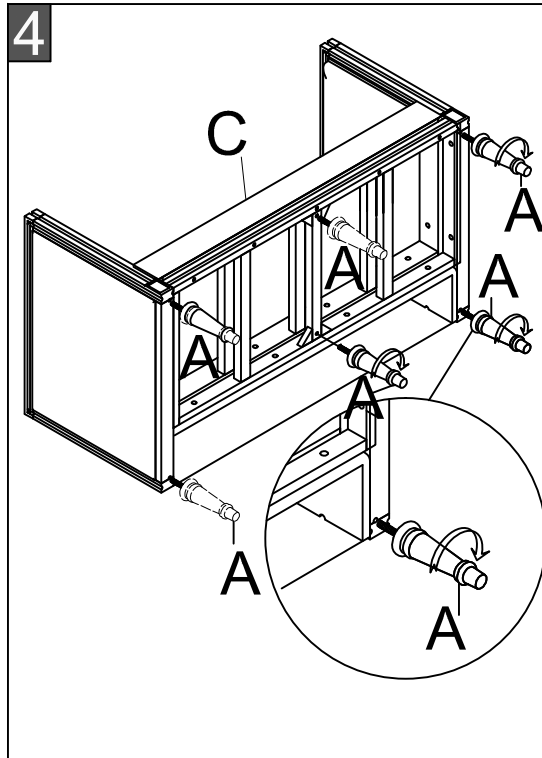
Step 3
Uncover Velcro fabric on both sides of chair back (B), Assembly Left / Right side armrest (F / G) with chair back (B), using Allen key (H2) to lock up by 6*bolts, Cover the Velcro fabric to side of chair back frame and press together to close tight.

PREPARATION

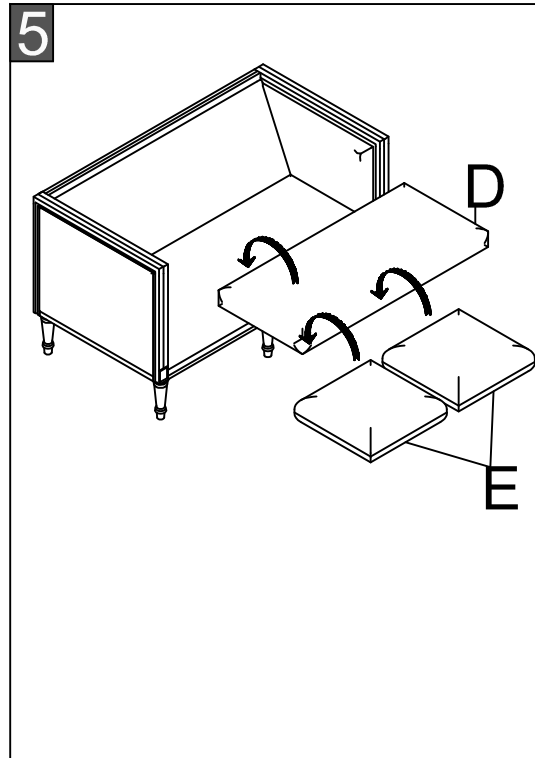
Before beginning assembly of product, make sure all parts are present. Compare parts with package contents list and hardware contents list. If any part is missing or damaged, do not attempt to assemble the product.

Estimated Assembly Time:30 minutes.

Tools Required for Assembly (included):Allen key.



Step 4:
Assemble 6 legs (A) to the bottom of left/right Armrest (F/G), chair back (B) and seat frame (C) as picture shown.



Step 5:
Put the seat cushion and pillows on the seat frame.