

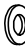



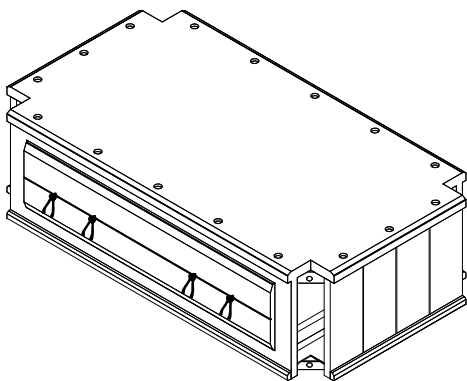
ASSEMBLY INSTRUCTIONS

**NOTE: THIS ITEM NOT RECOMMENDED FOR COMMERCIAL USE
KEEP THIS DOCUMENT FOR REFERENCE IN CASE PARTS ARE NEEDED
DO NOT TIGHTEN SCREWS UNTIL COMPLETELY ASSEMBLED!!**

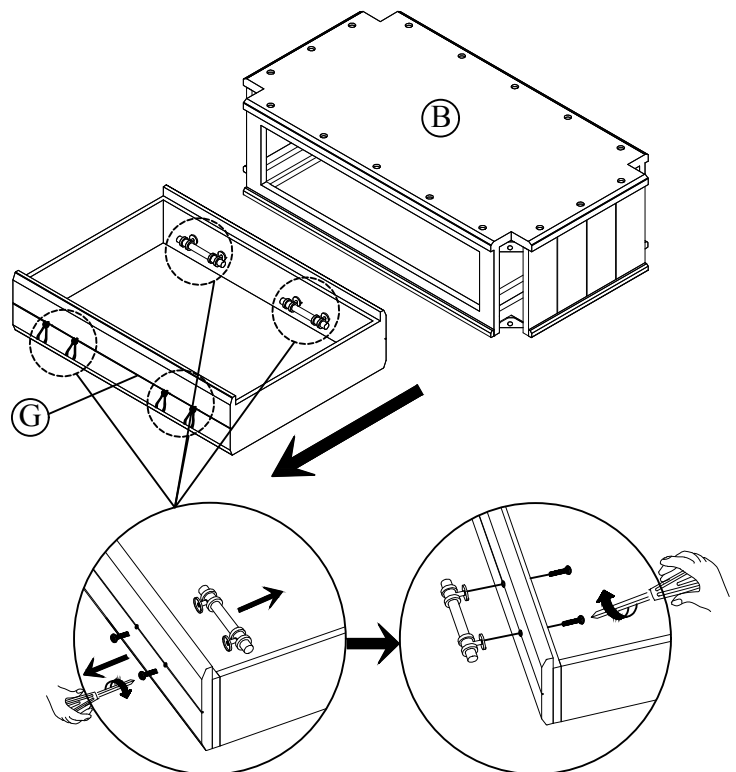
| No | | PARTS LIST | Q'TY |
|----|---|----------------------|------|
| A |  | TABLE TOP | 1PC |
| B |  | TABLE BASE | 1PC |
| C |  | LONG SIDE METAL BAR | 2PCS |
| D |  | SHORT SIDE METAL BAR | 2PCS |
| E |  | LEFT LEGS | 2PCS |
| F |  | RIGHT LEGS | 2PCS |
| G |  | TABLE DRAWER | 1PC |

| No | | | Q'TY | |
|----|---|-------------|---------------------|-------|
| 1 |  | BOLT | Ø5/16" x 2-3/4" | 16PCS |
| 2 |  | LOCK WASHER | Ø5/16" x 10 x 1.1mm | 16PCS |
| 3 |  | FLAT WASHER | Ø5/16" x 18 x 2mm | 16PCS |
| 4 |  | LOCK WASHER | M4mm | 1PC |

STEP 1



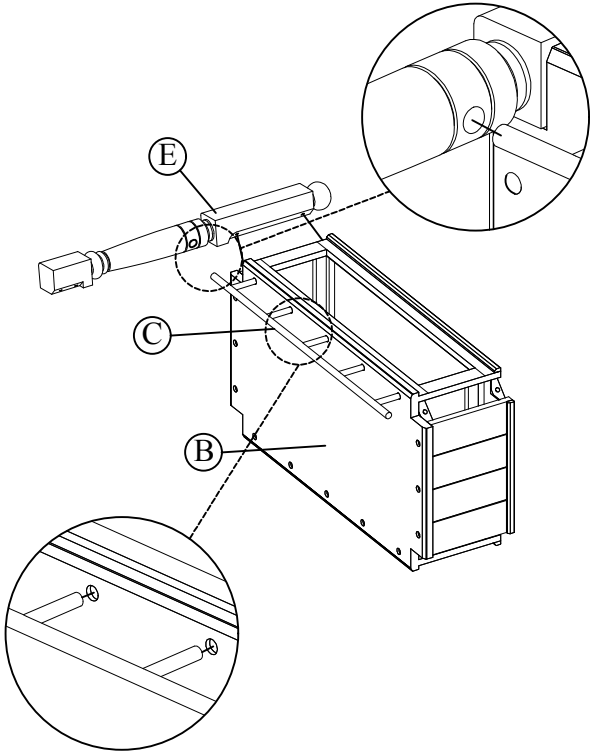
STEP 2



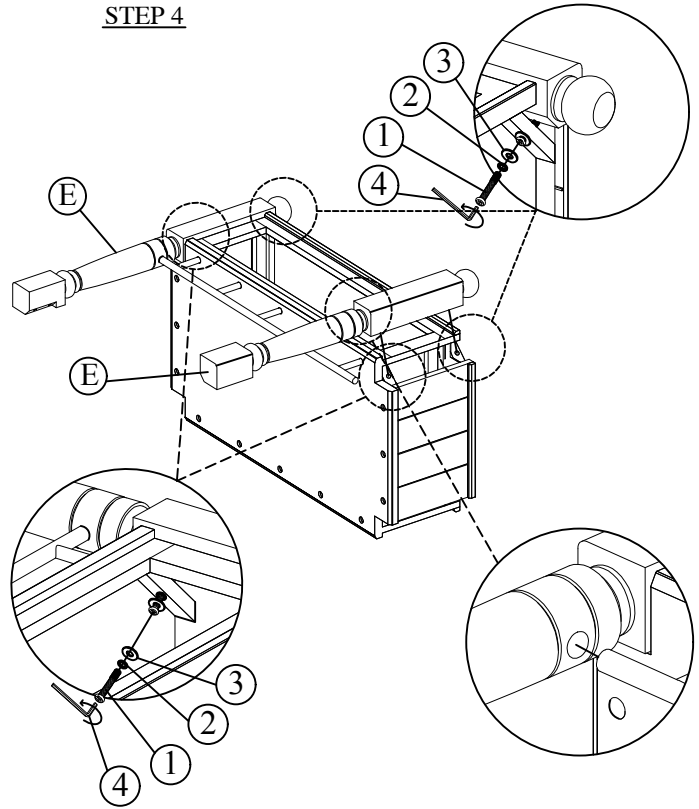
ASSEMBLY INSTRUCTIONS

**NOTE: THIS ITEM NOT RECOMMENDED FOR COMMERCIAL USE
KEEP THIS DOCUMENT FOR REFERENCE IN CASE PARTS ARE NEEDED
DO NOT TIGHTEN SCREWS UNTIL COMPLETELY ASSEMBLED! !**

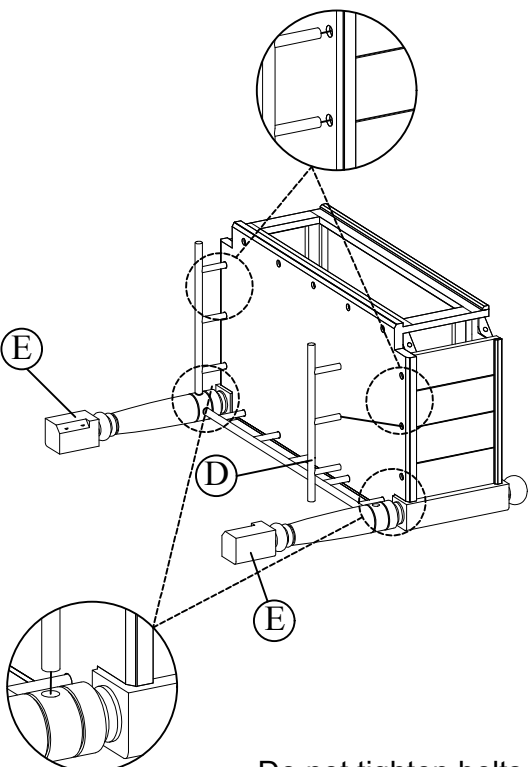
STEP 3



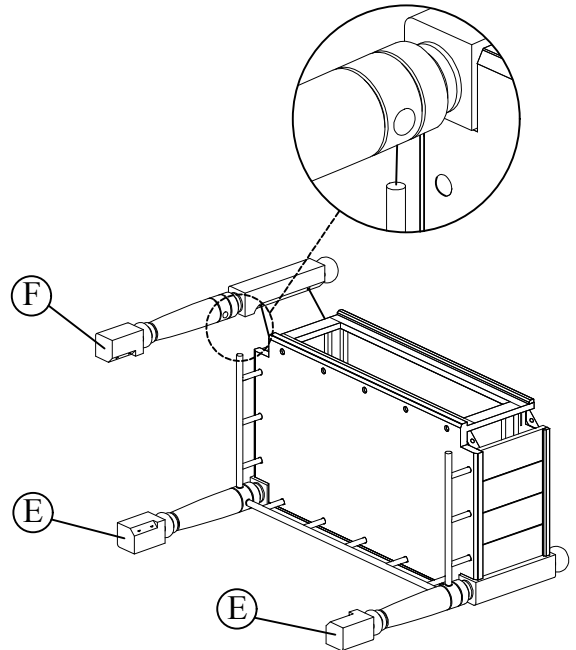
STEP 4



STEP 5



STEP 6

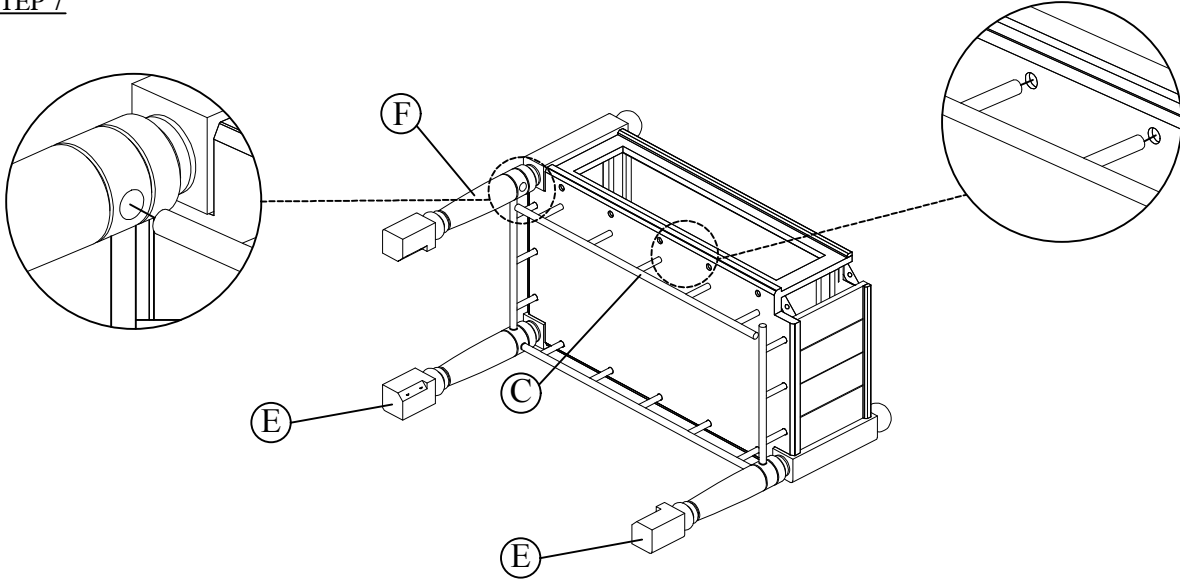


Do not tighten bolts till fix up the long/short side metal bar.

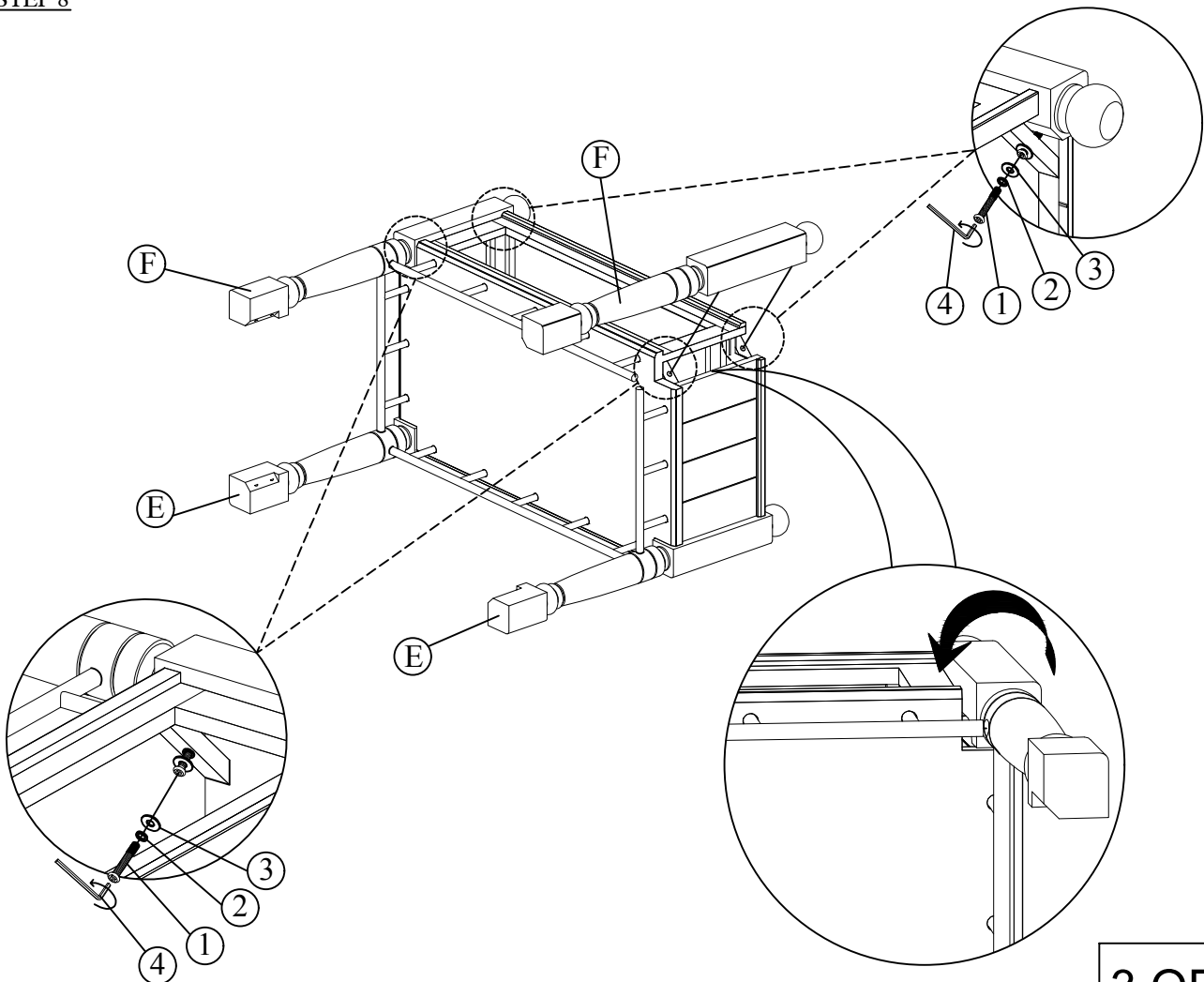
ASSEMBLY INSTRUCTIONS

**NOTE: THIS ITEM NOT RECOMMENDED FOR COMMERCIAL USE
KEEP THIS DOCUMENT FOR REFERENCE IN CASE PARTS ARE NEEDED
DO NOT TIGHTEN SCREWS UNTIL COMPLETELY ASSEMBLED! !**

STEP 7



STEP 8

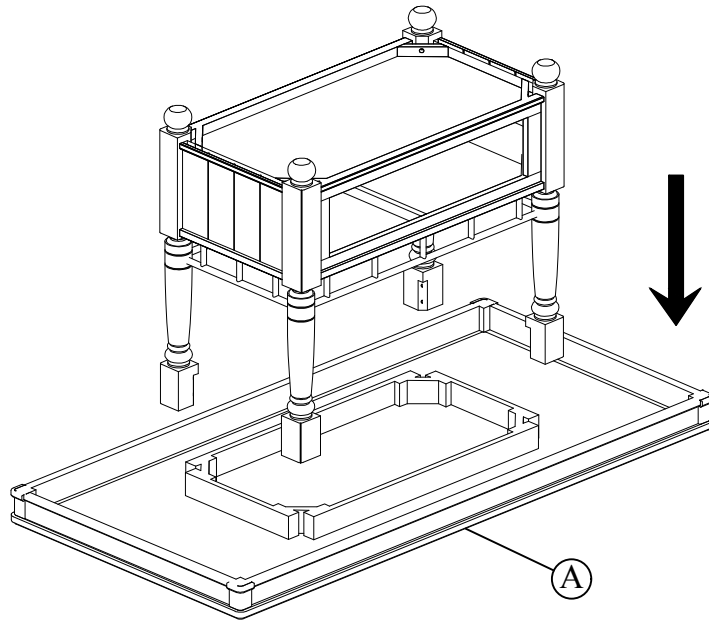


Do not tighten bolts till fix up the long/short side metal bar.

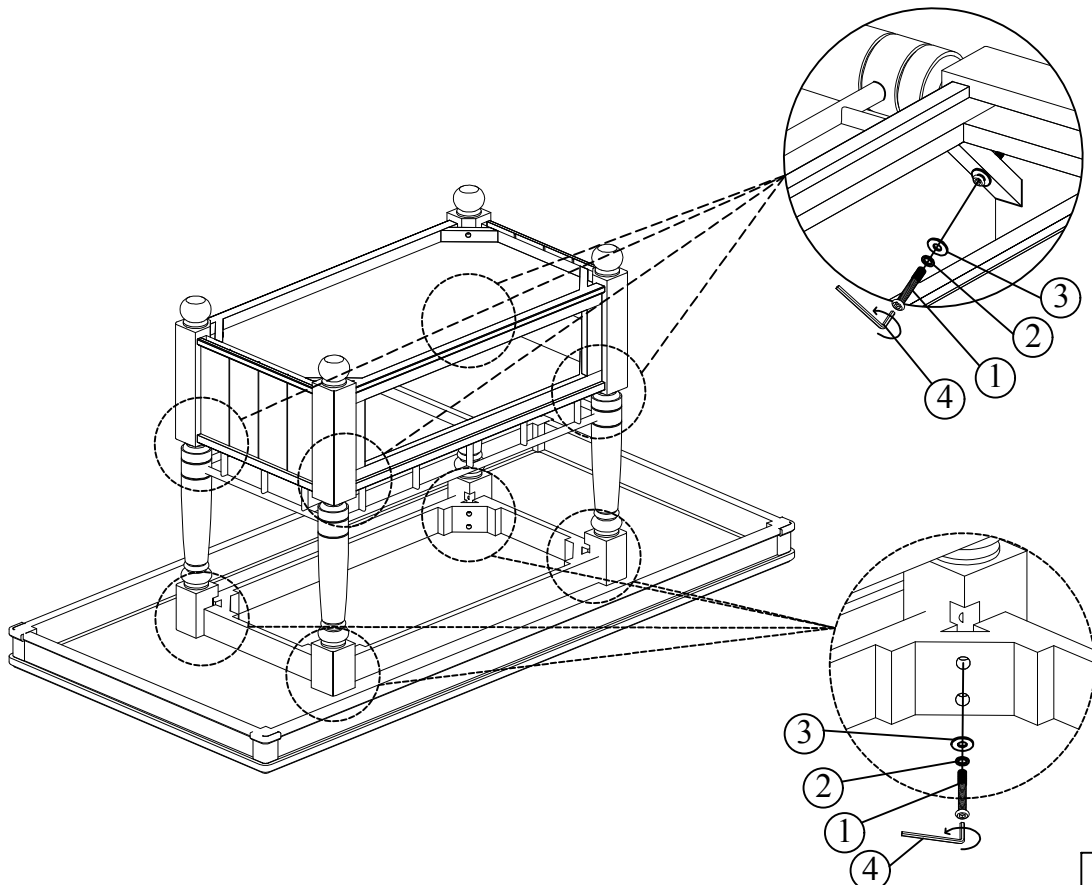
ASSEMBLY INSTRUCTIONS

**NOTE: THIS ITEM NOT RECOMMENDED FOR COMMERCIAL USE
KEEP THIS DOCUMENT FOR REFERENCE IN CASE PARTS ARE NEEDED
DO NOT TIGHTEN SCREWS UNTIL COMPLETELY ASSEMBLED! !**

STEP 9



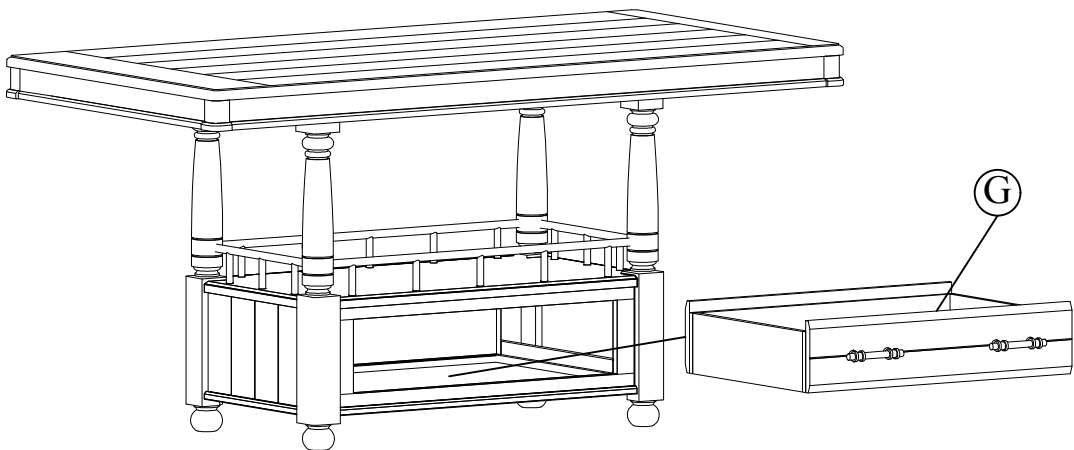
STEP 10



ASSEMBLY INSTRUCTIONS

**NOTE: THIS ITEM NOT RECOMMENDED FOR COMMERCIAL USE
KEEP THIS DOCUMENT FOR REFERENCE IN CASE PARTS ARE NEEDED
DO NOT TIGHTEN SCREWS UNTIL COMPLETELY ASSEMBLED!!**

STEP 11



FINAL

