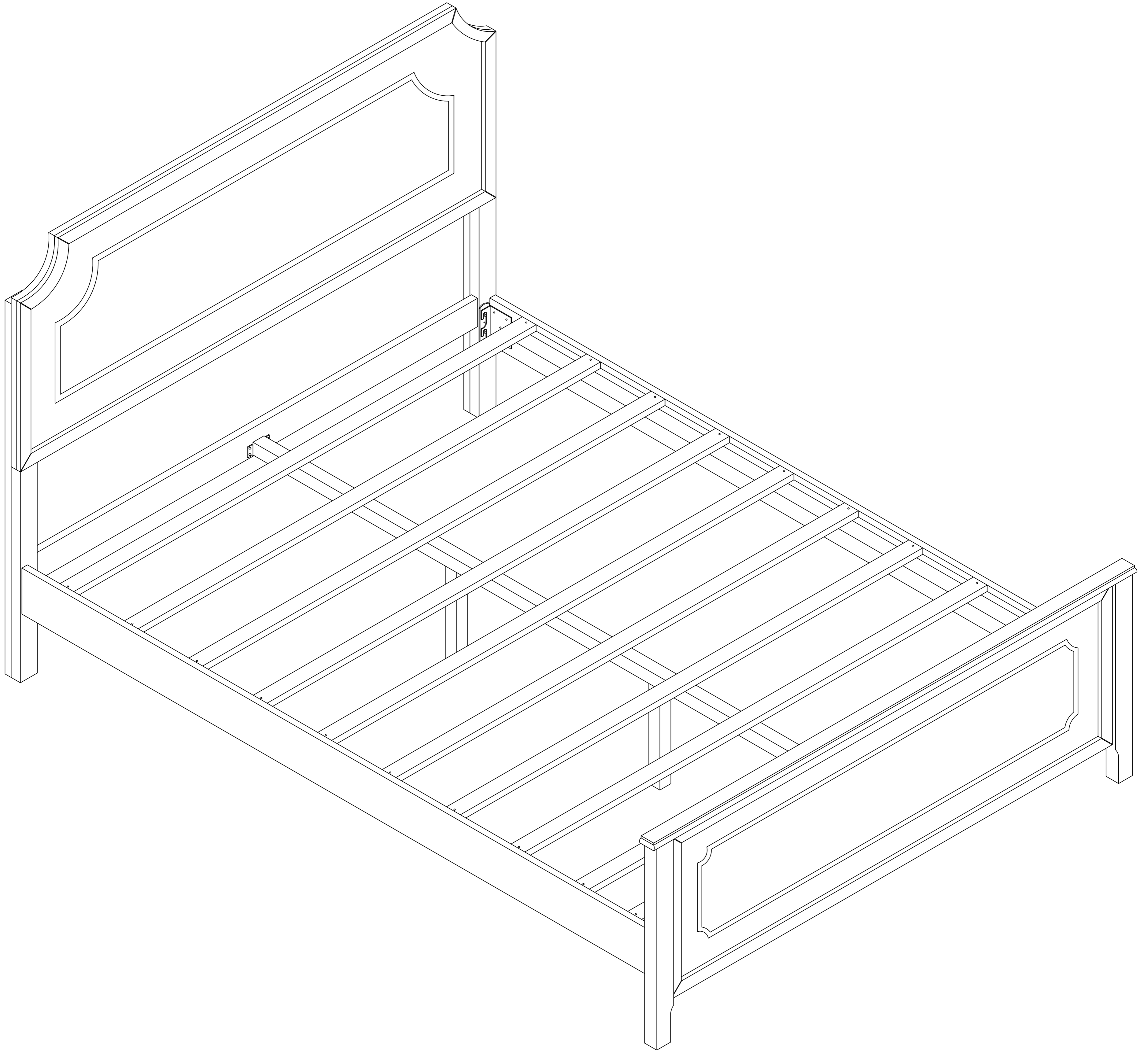


ASSEMBLY INSTRUCTIONS

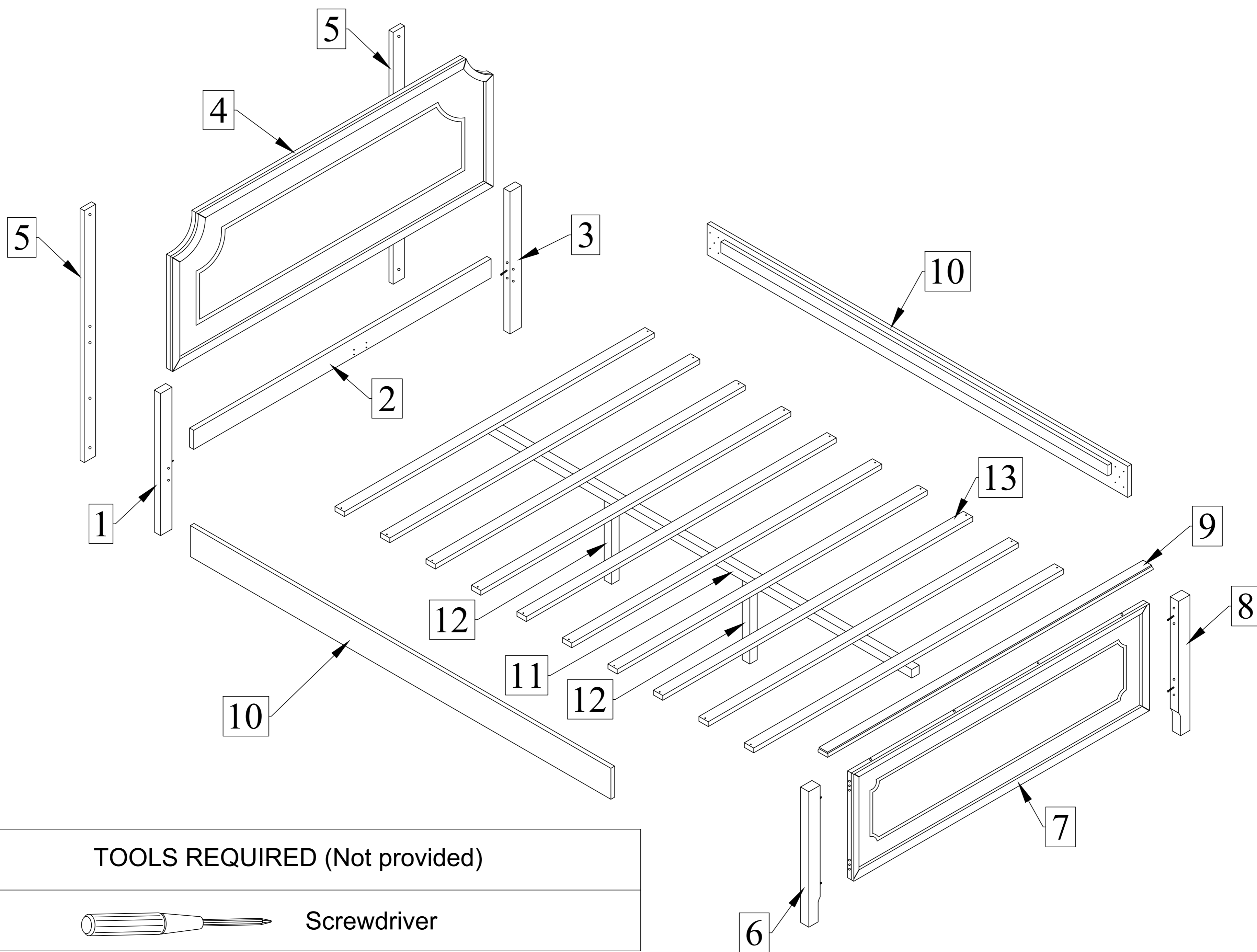
QUEEN BED

Thank you for purchasing this quality product. Be sure to check all packing material carefully for small part that may have come loose inside carton during shipment.

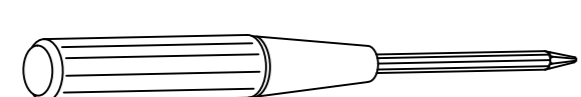


ASSEMBLY INSTRUCTIONS QUEEN BED

Thank you for purchasing this quality product. Be sure to check all packing material carefully for small part that may have come loose inside carton during shipment.



TOOLS REQUIRED (Not provided)



Screwdriver

Hardware List

No.	Description	Sketch	Quantity
A	Wood Dowel M8x30MM		8PCS
B	U Bracket		2PCS
C	Screw M3.5 x 16MM		44PCS
D	Minifix + Cap	D1 D2	4SETS
E	Iron Plate		4PCS
F	Bed Bracket - 2L2R	FL FR	4PCS
G	Hex Nut		6PCS
H	Spring Washer		16PCS
I	Spanner		1PC
J	JCBC M6 x 35mm		10PCS
K	Flat Washer		10PCS
L	Allen Key M4		1PC
M	Bolt		8PCS
N	Allen Key M5		1PC
O	Screw M4 x 32MM		20PCS

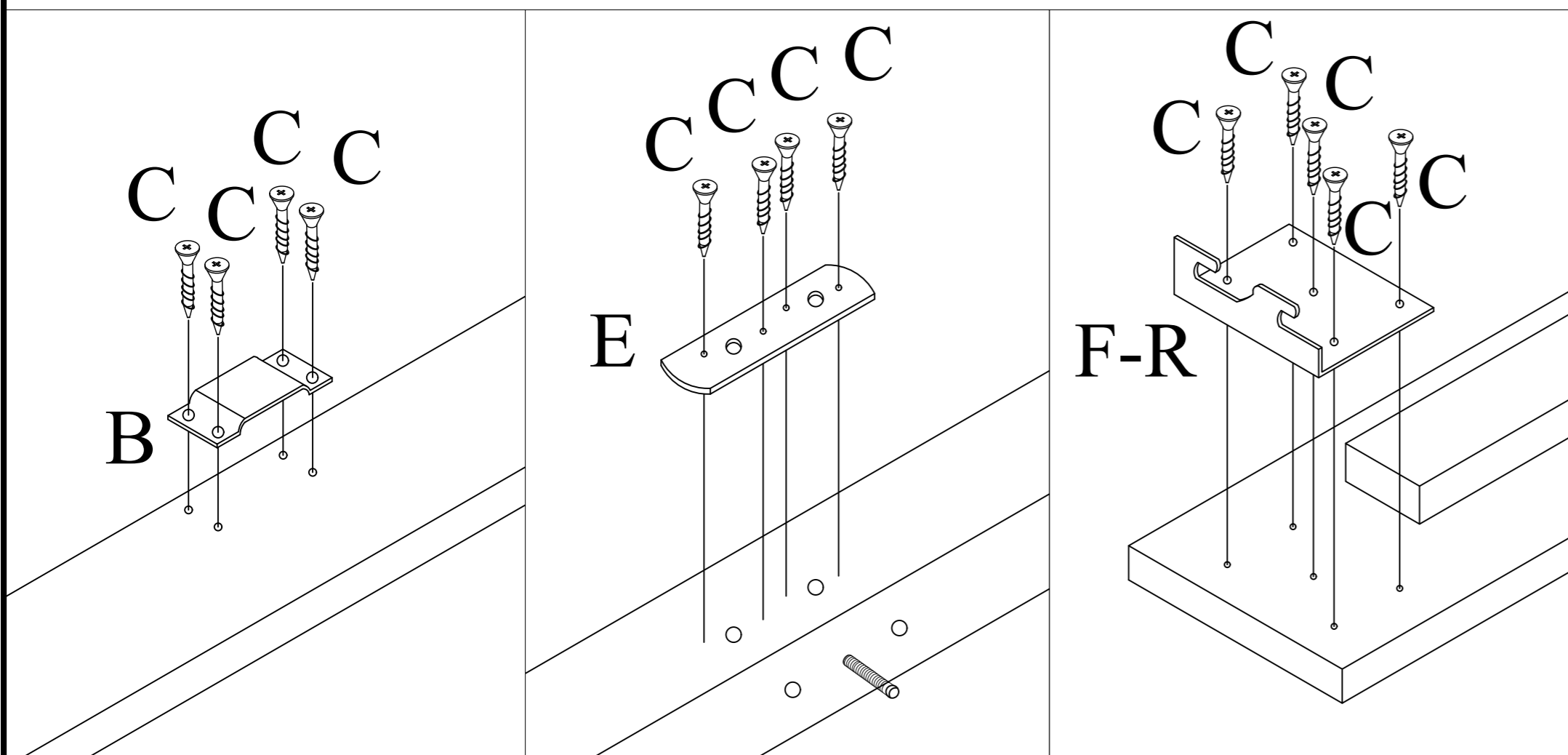
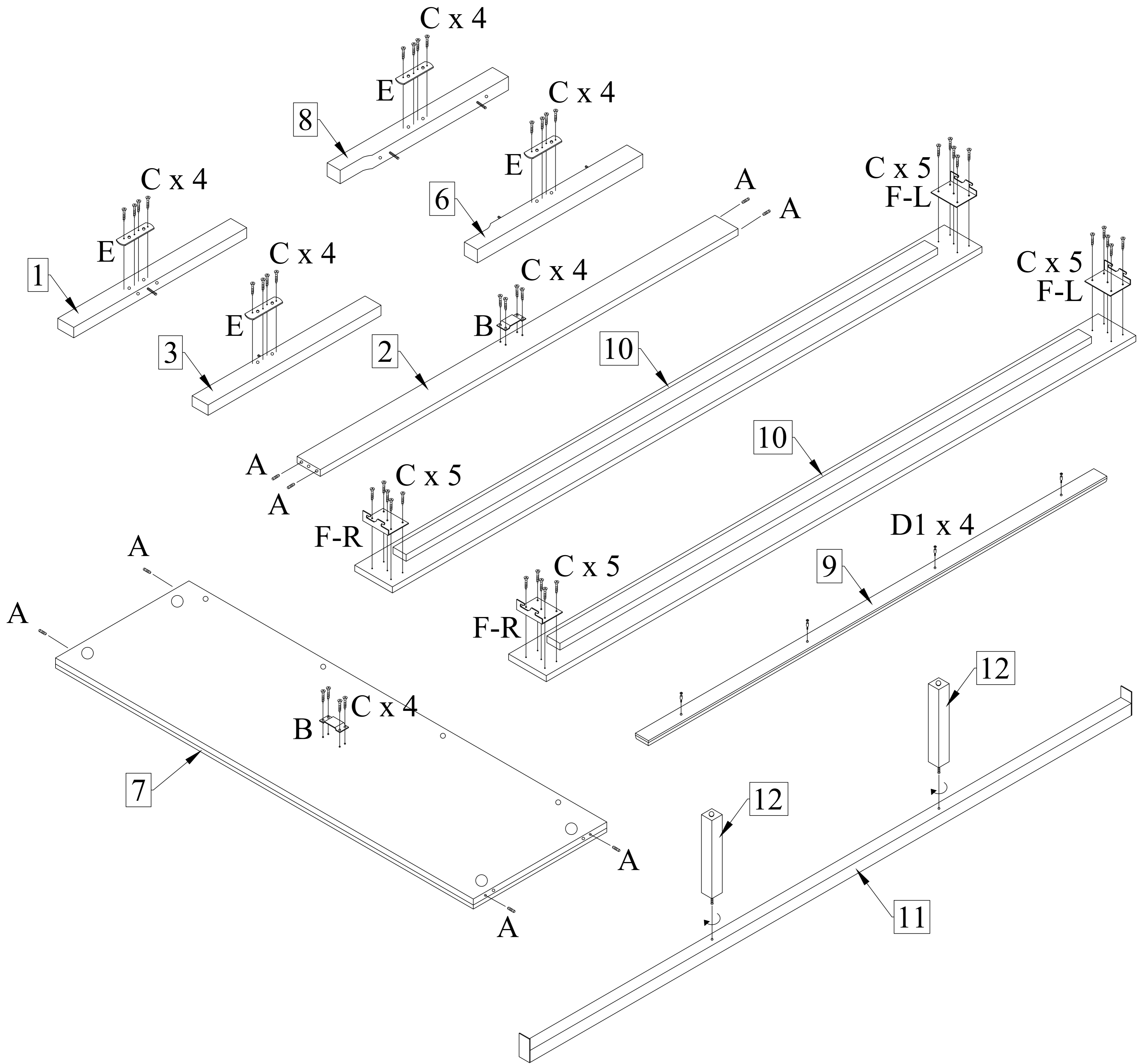
Part List

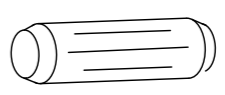
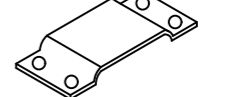
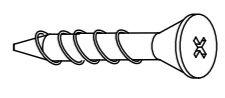
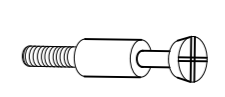
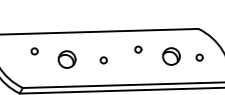

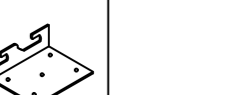
No.	Description	Sketch	Quantity
1	HB Lower Support - L		1PC
2	HB Support Rail		1PC
3	HB Lower Support - R		1PC
4	HB (Headboard)		1PC
5	HB Back Support		2PCS
6	FB Pillar - L		1PC
7	FB (Footboard)		1PC
8	FB Pillar - R		1PC
9	FB Crown		1PC
10	Bed Side Rail		2PCS
11	Center Support Rail		1PC
12	Center Support Leg		2PCS
13	Bed Slats		10PCS

ASSEMBLY INSTRUCTIONS QUEEN BED

Thank you for purchasing this quality product. Be sure to check all packing material carefully for small part that may have come loose inside carton during shipment.

Step 1 : Attach Wood Dowel (A) to HB Support Rail (2) and Footboard (7). Attach U Bracket (B), Iron Plate (E), and Bed Bracket (F) to parts (1,2,3,6,7,8,10) accordingly using Screw (C). Attach Minifix (D) to FB Crown (9).



A	Wood Dowel M8x30MM		8PCS
B	U Bracket		2PCS
C	Screw M3.5x16MM		44PCS
D	Minifix	D1 	4PCS
E	Iron Plate		4PCS
F	Bed Bracket - 2L2R	FL  FR 	4PCS

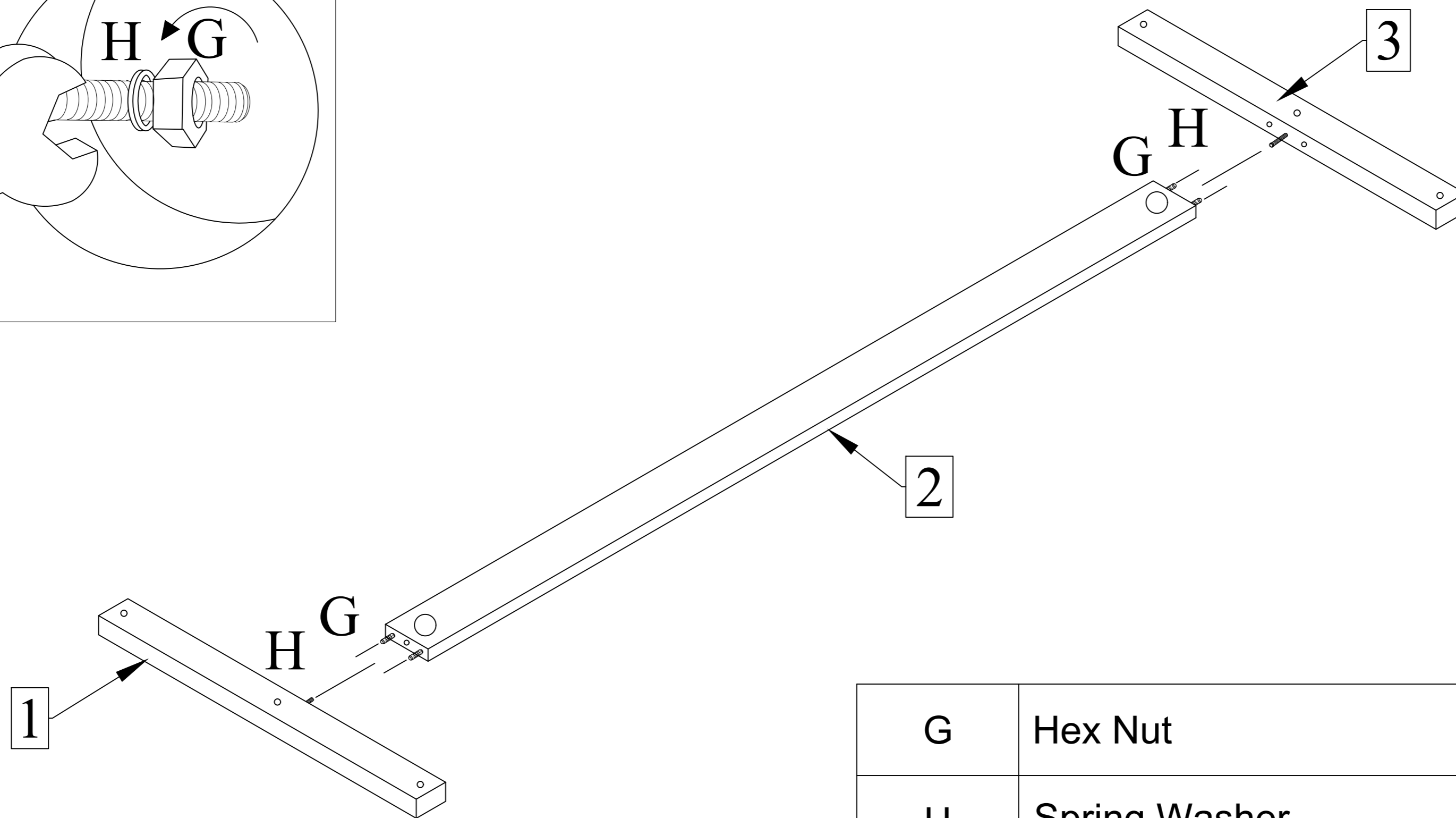
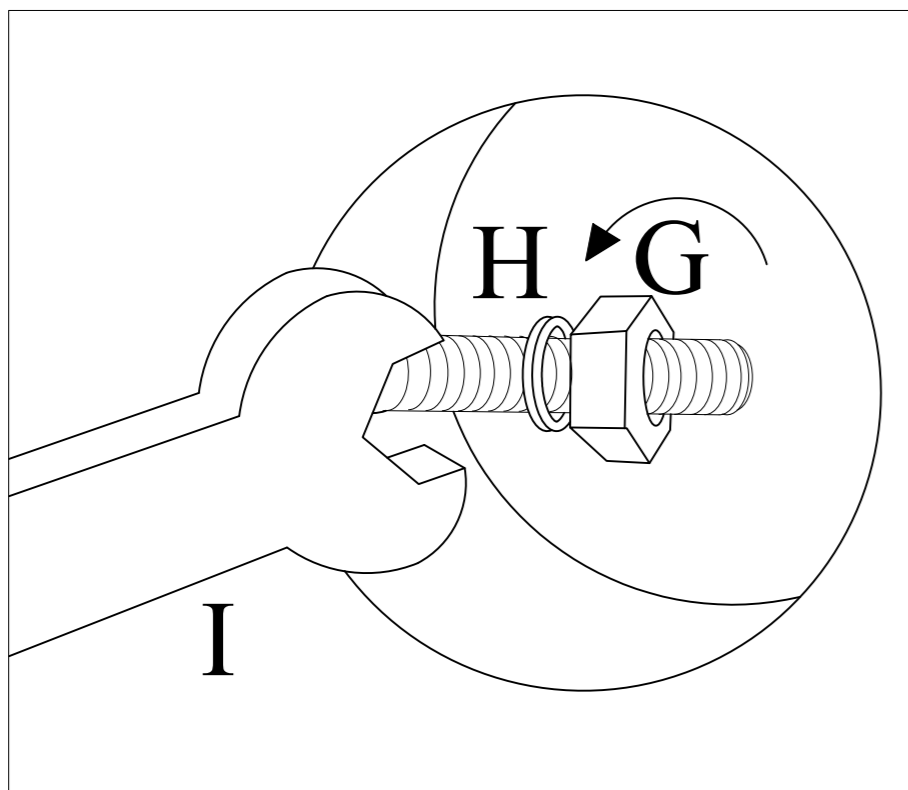
ASSEMBLY INSTRUCTIONS QUEEN BED



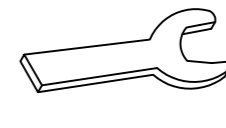
Thank you for purchasing this quality product. Be sure to check all packing material carefully for small part that may have come loose inside carton during shipment.

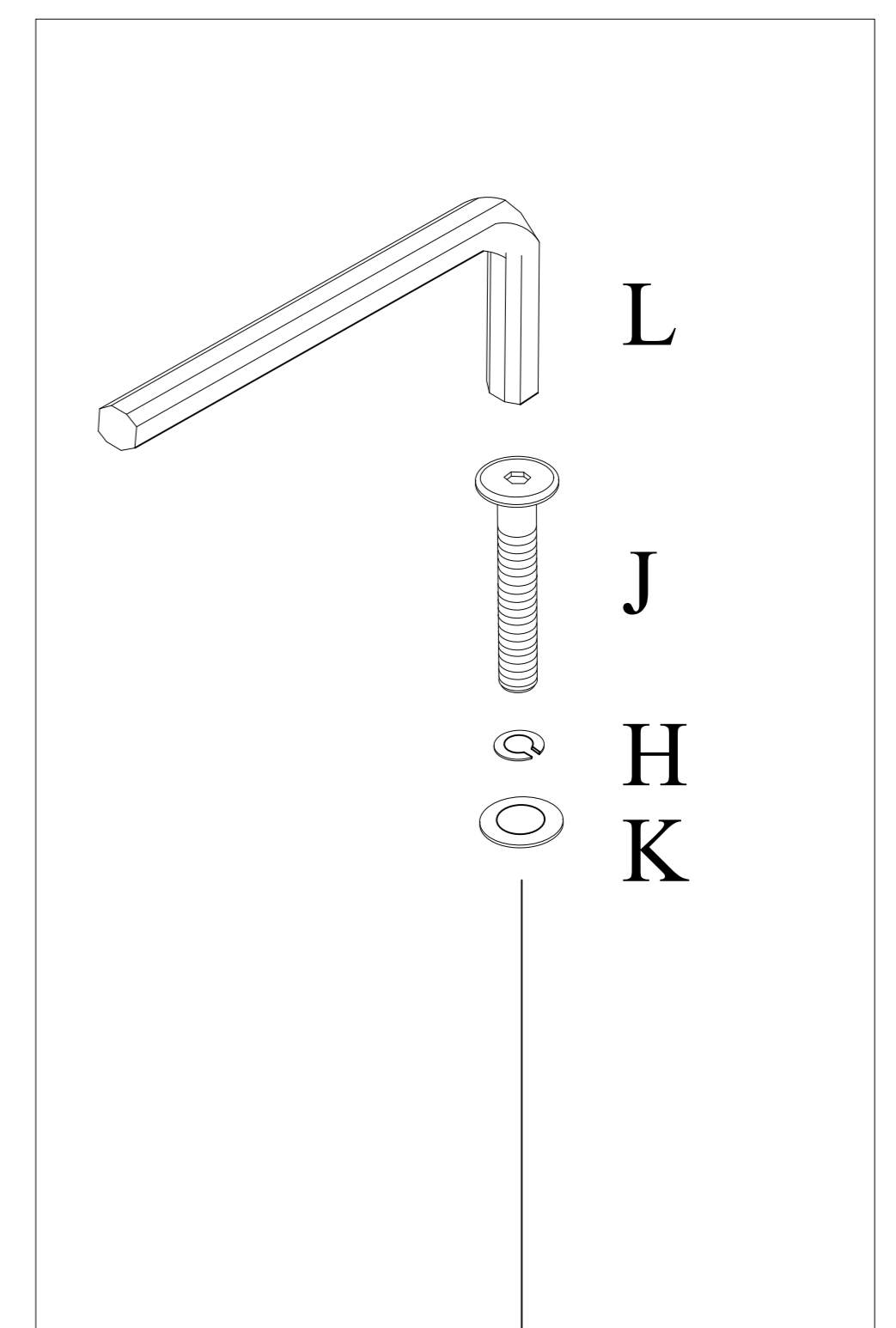
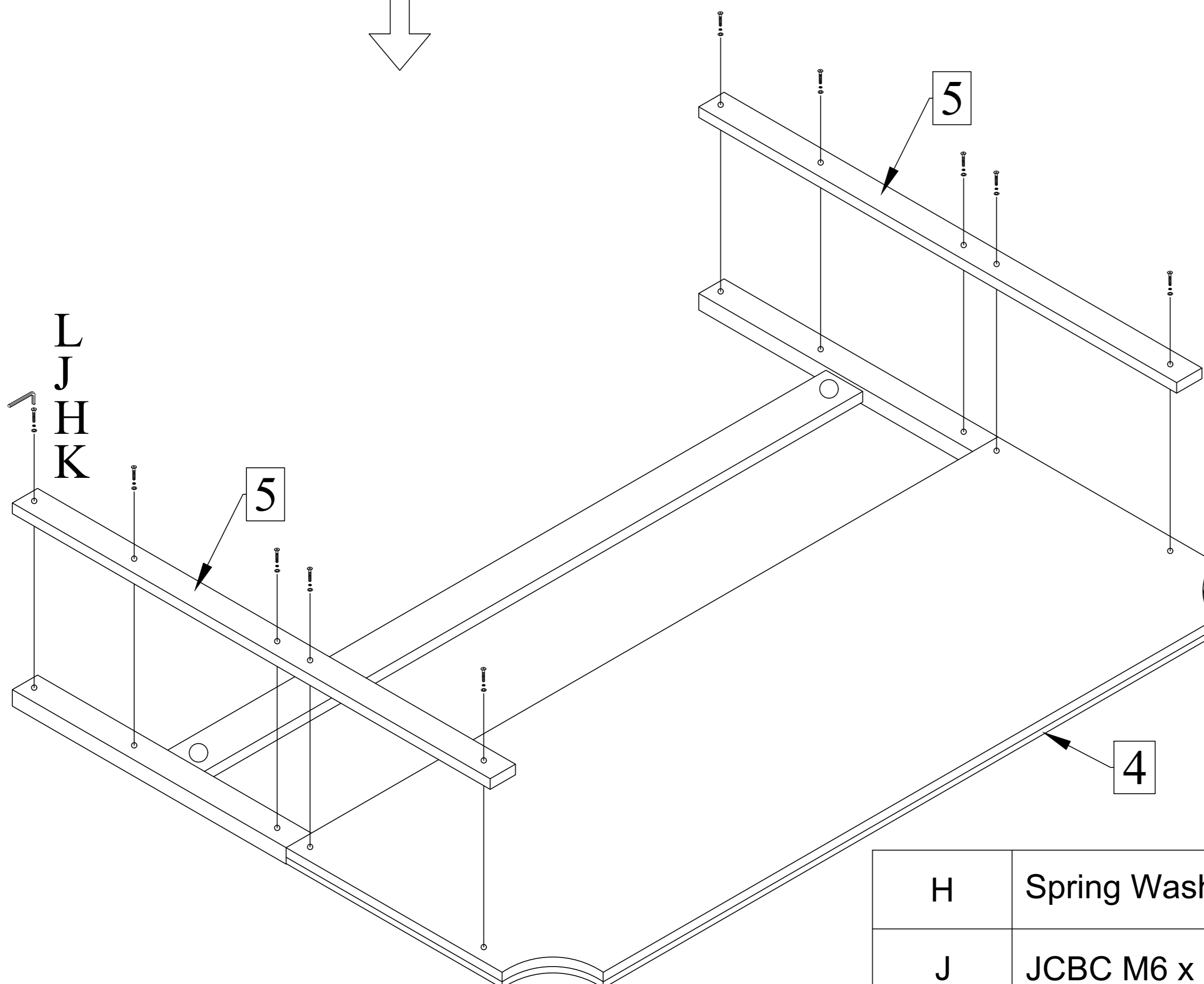
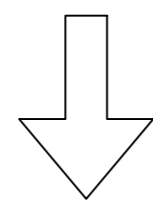
Step 2 :Headboard (HB) assembly.


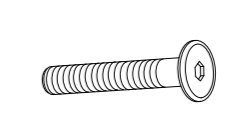
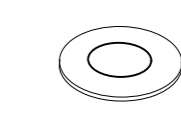
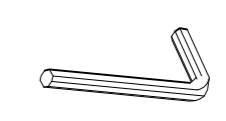
Connect HB Support Rail (2) to HB Lower Support L & R (1,3) and lock with Hex Nut (G) and Spring Washer (H) using Spannaer (I) provided.

Attached the connected part and Headboard (4) to HB Back Support (5), using Allen Key (L), JCBC (J), Spring Washer (H) and Flat Washer (K).



G	Hex Nut		2PCS
H	Spring Washer		2PCS
I	Spanner		1PC



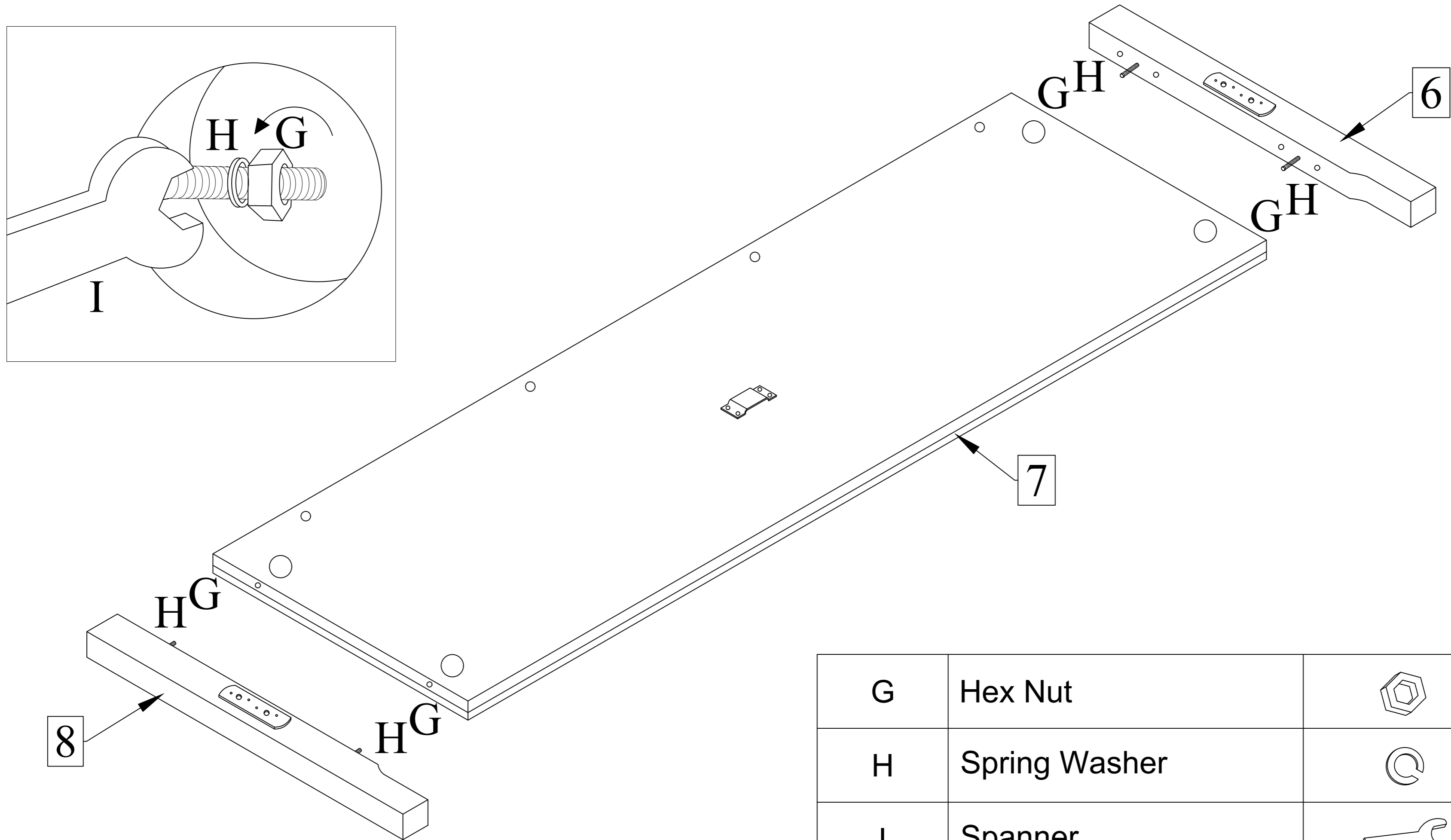
H	Spring Washer		10PCS
J	JCBC M6 x 35mm		10PCS
K	Flat Washer		10PCS
L	Allen Key m4		1PC



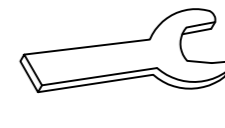
ASSEMBLY INSTRUCTIONS QUEEN BED

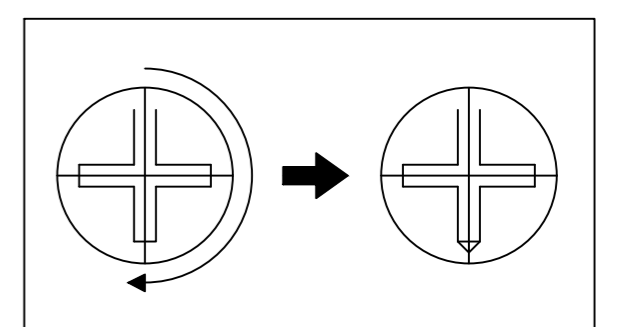
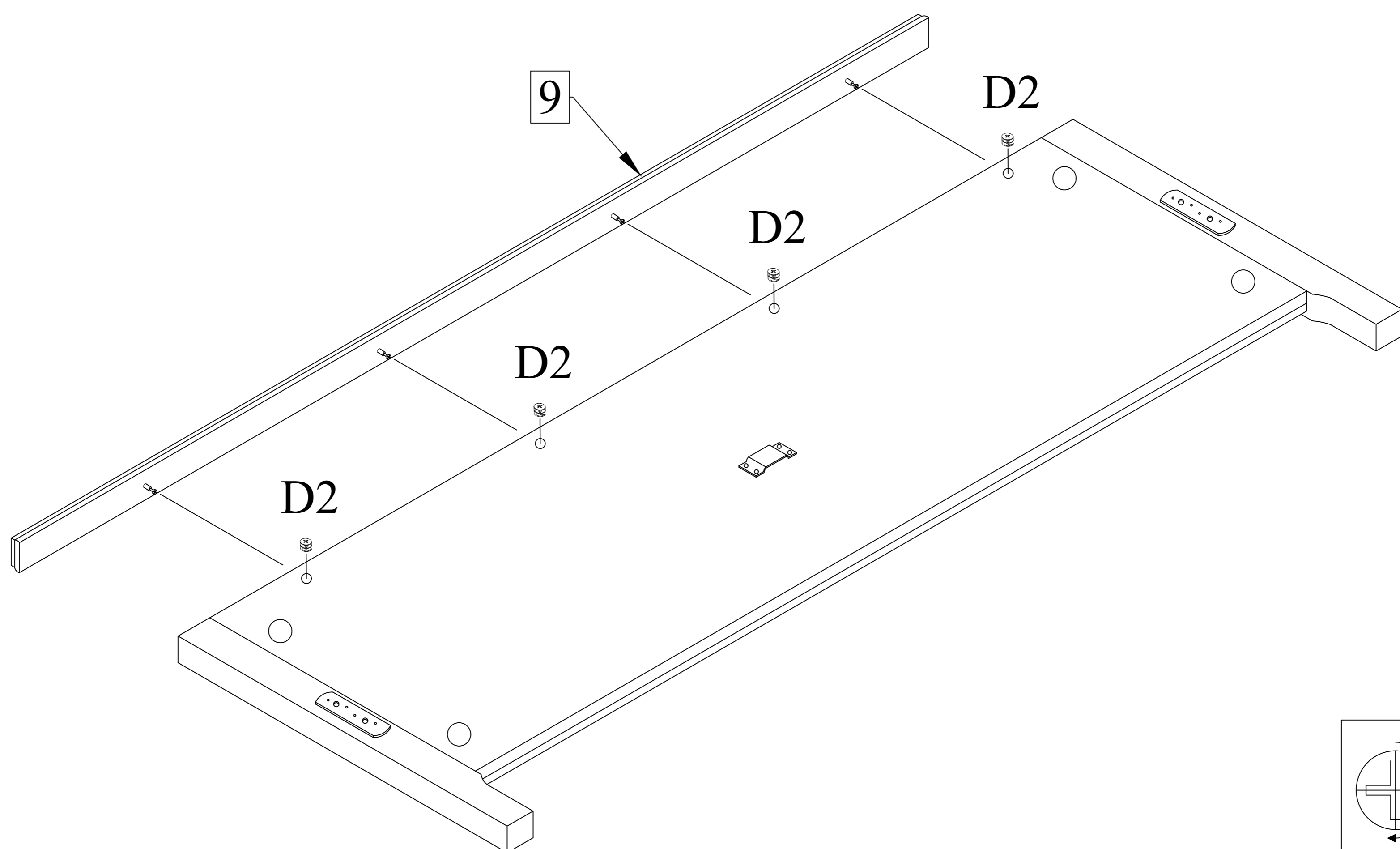
Thank you for purchasing this quality product. Be sure to check all packing material carefully for small part that may have come loose inside carton during shipment.

Step 3 :Footboard (FB) assembly.


Connect Footboard (7) to FB Pillar L & R (6,8) and lock with Hex Nut (G) and Spring Washer (H) using Spanner (I) provided.
Connect FB Crown (9) to the Footboard and lock with Minifix Cap (D2)



G	Hex Nut		4PCS
H	Spring Washer		4PCS
I	Spanner		1PC



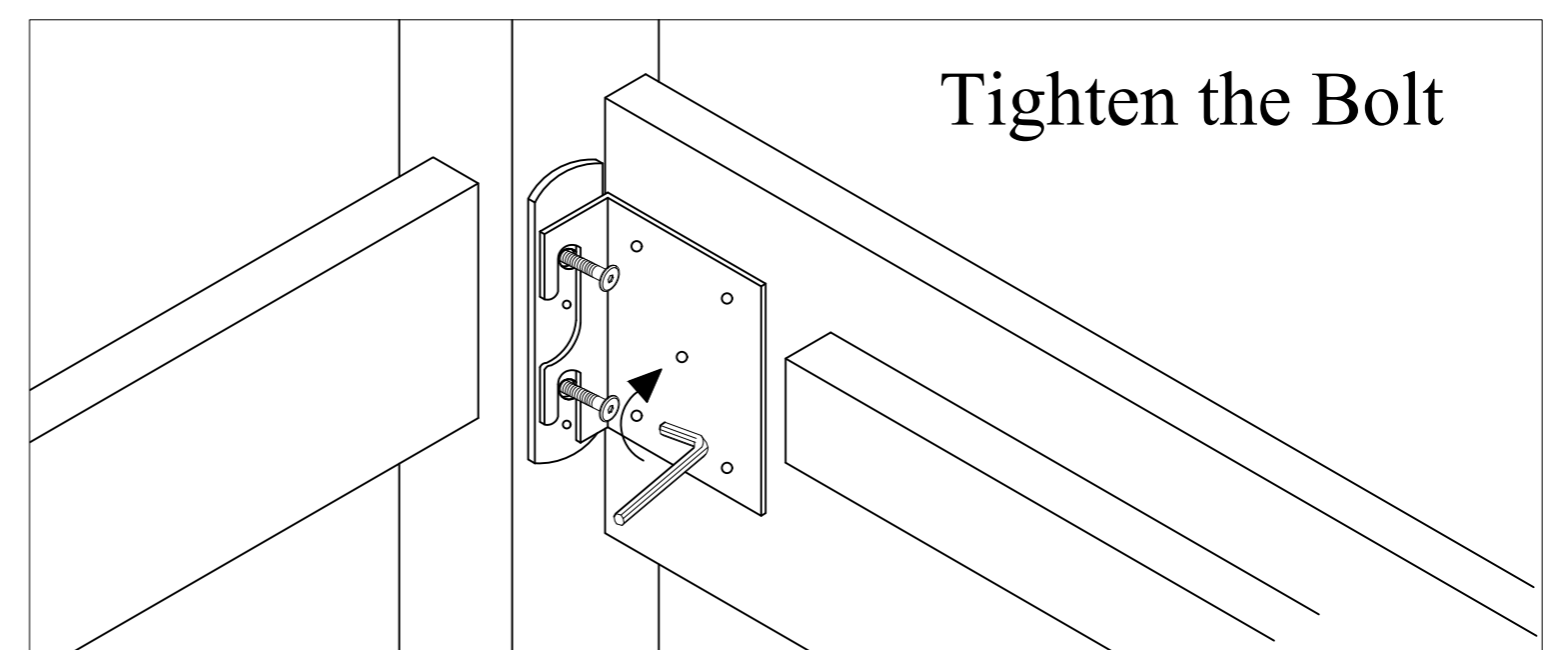
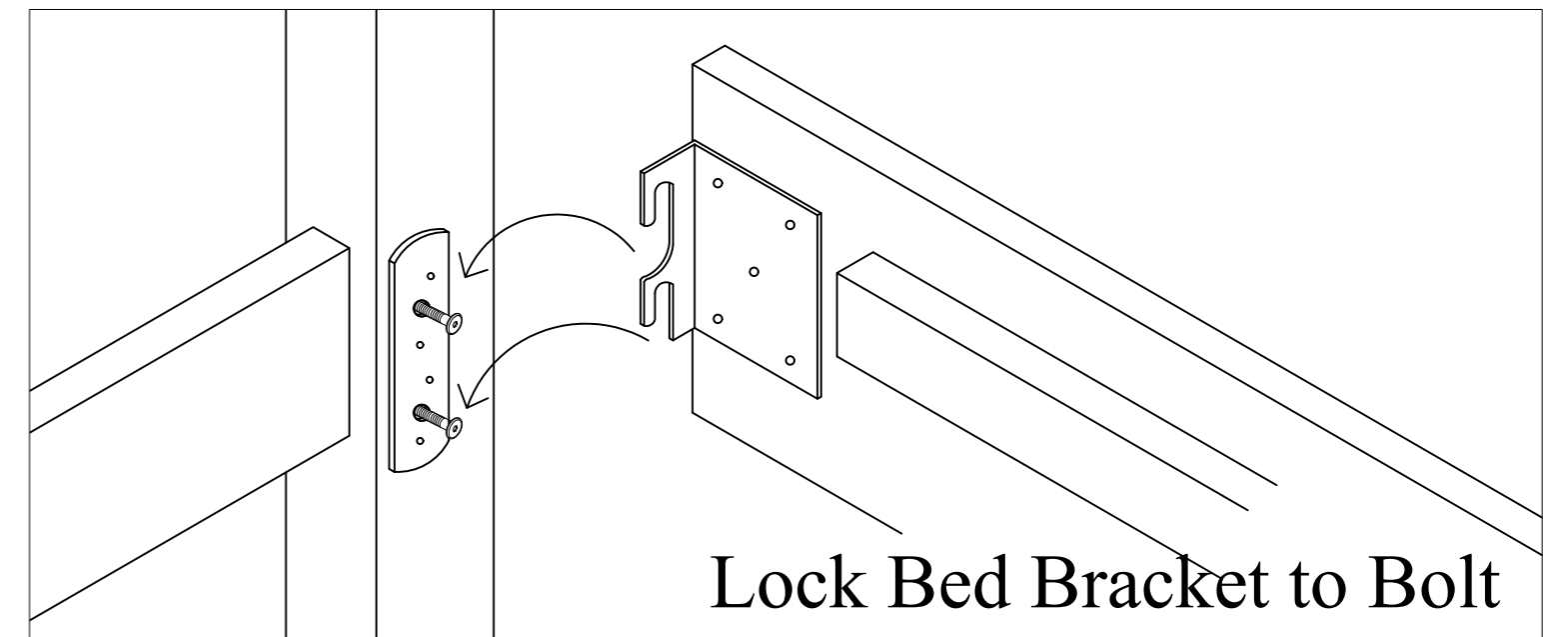
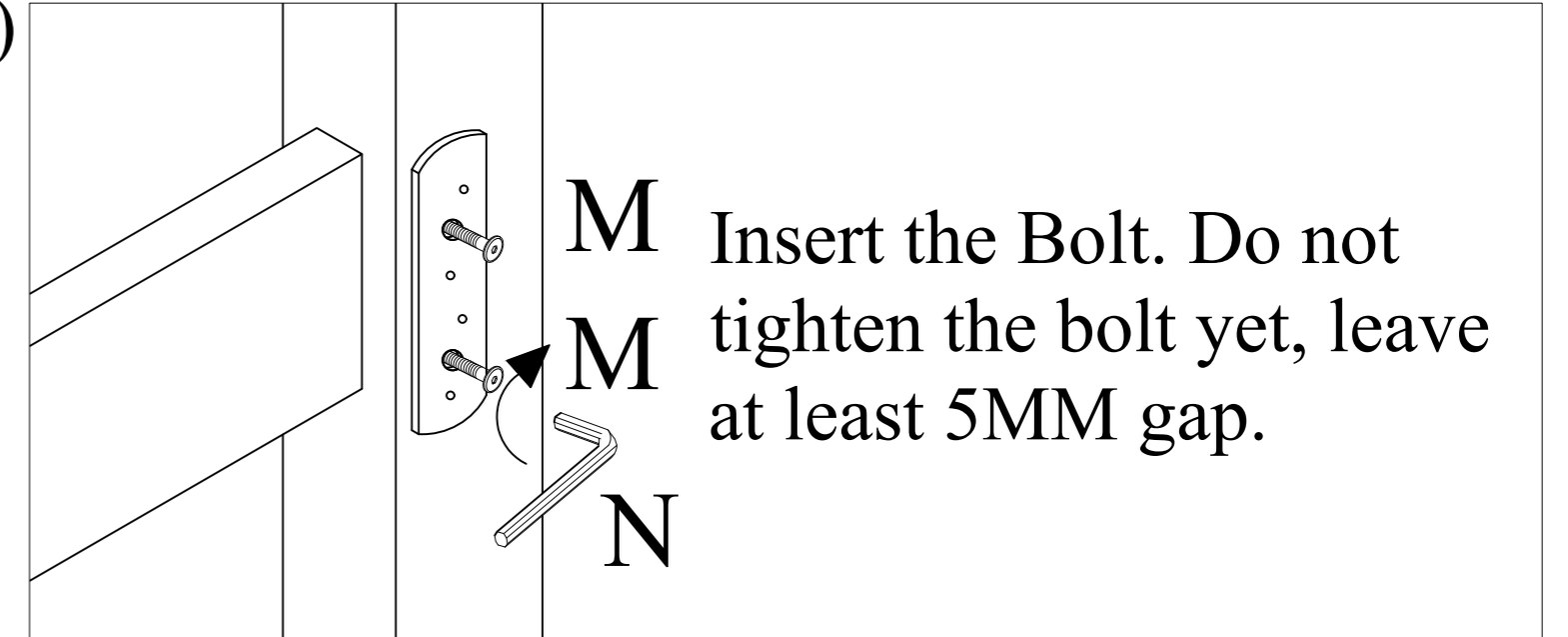
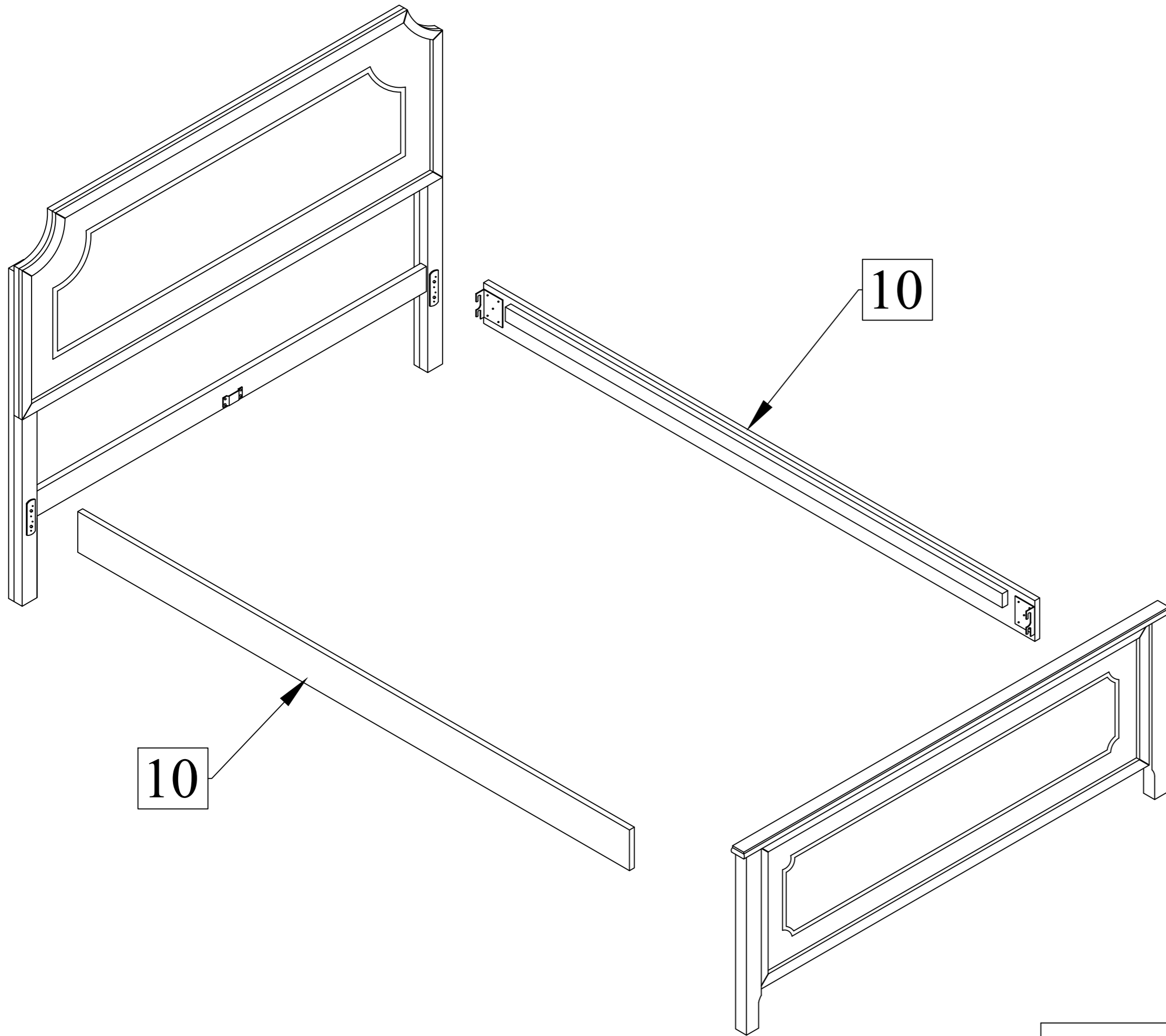
Lock Minifix cap clockwise

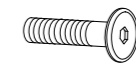

D	Minifix Cap	D2 	4PCS
---	-------------	--	------

ASSEMBLY INSTRUCTIONS QUEEN BED

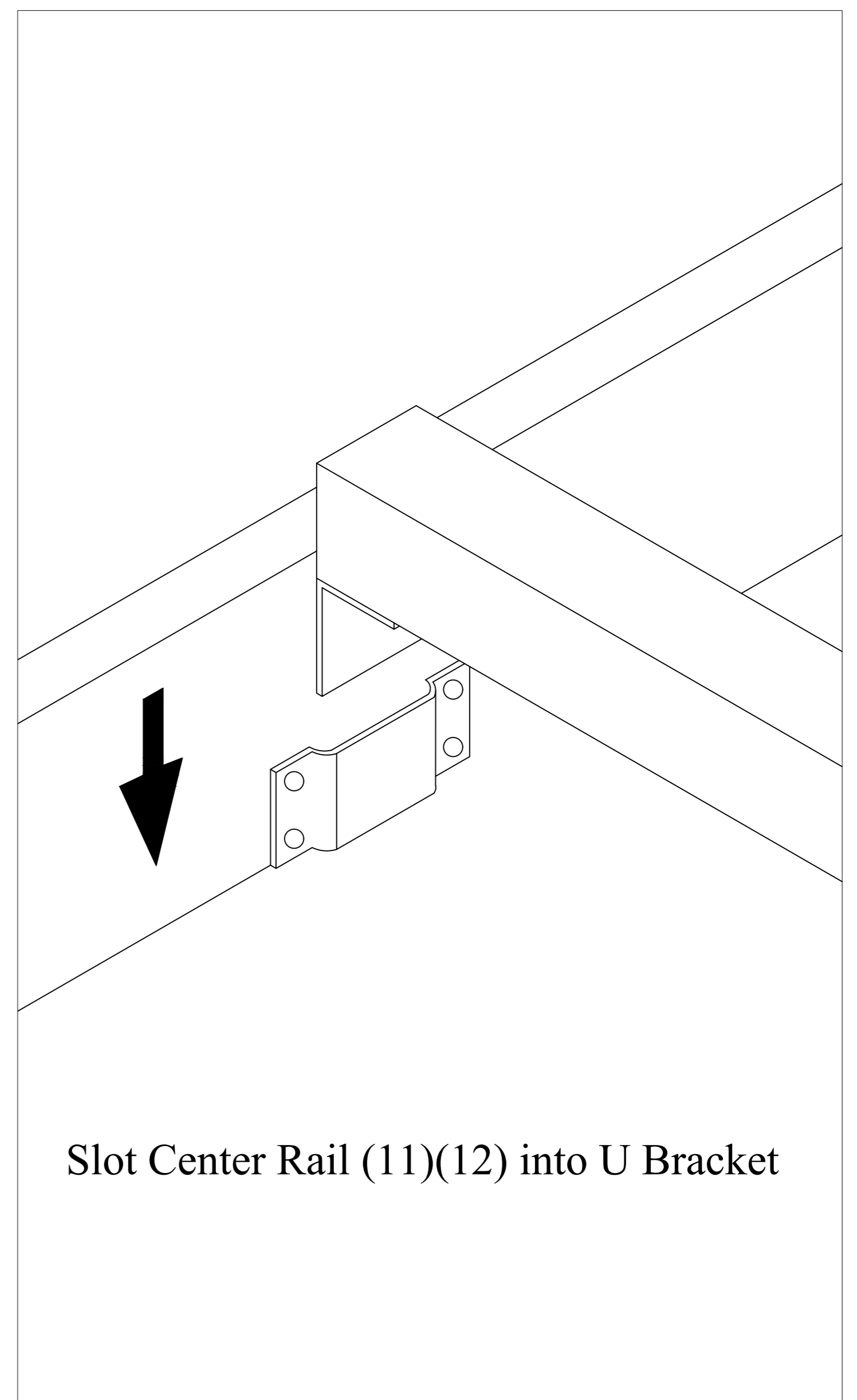
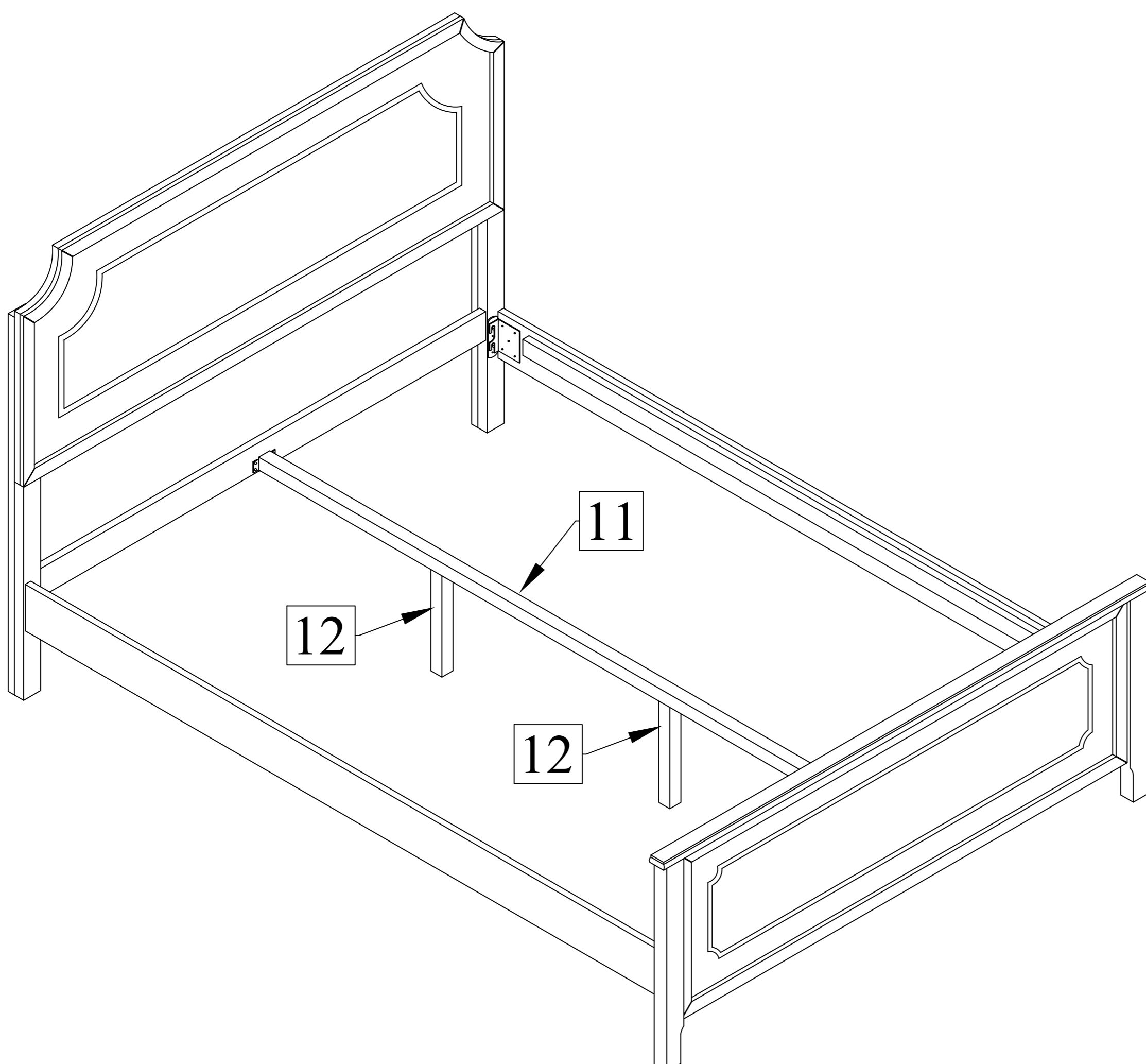
Thank you for purchasing this quality product. Be sure to check all packing material carefully for small part that may have come loose inside carton during shipment.

Step 4 : Connect Bed Side Rails (10) to Headboard and Footboard with Bolt (M) using Allen Key M5 (N)



M	Bolt		8PCS
N	Allen Key M5		1PC

Step 5 : Attach the Center Support Rail (11)(12) to the bed.

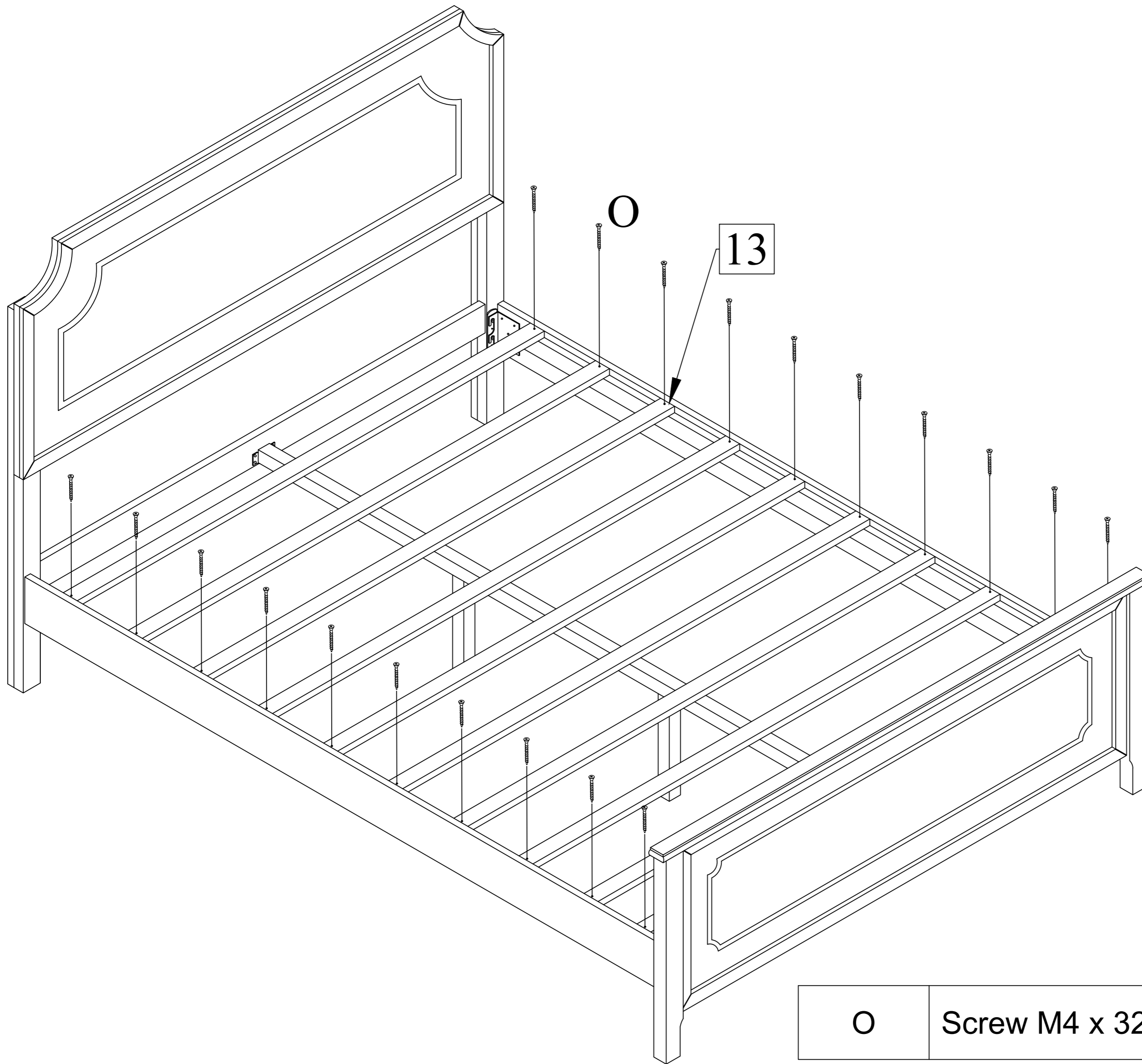


ASSEMBLY INSTRUCTIONS

QUEEN BED

Thank you for purchasing this quality product. Be sure to check all packing material carefully for small part that may have come loose inside carton during shipment.

Step 6 : Attach Bed Slats (13) to the bed using Screw (O).



O	Screw M4 x 32MM		20PCS
---	-----------------	---	-------

Completed assembly.

