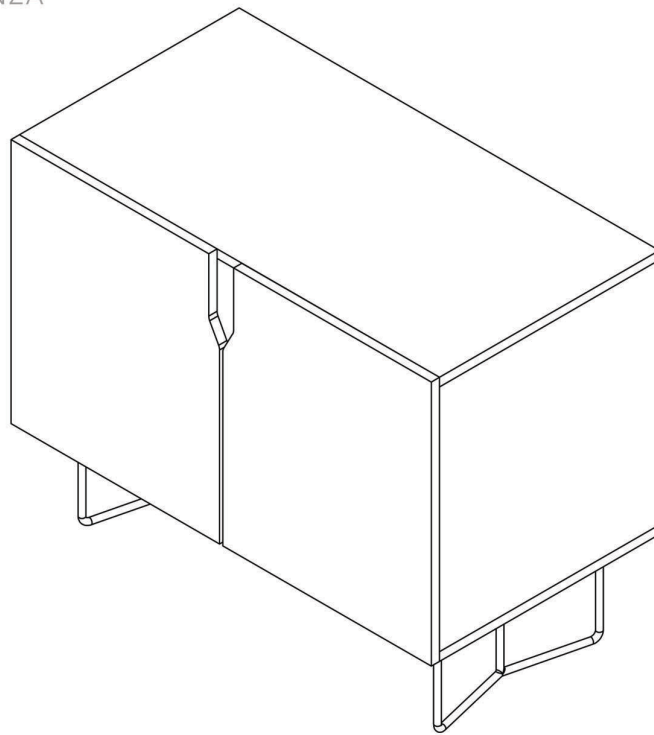
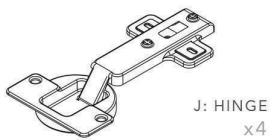


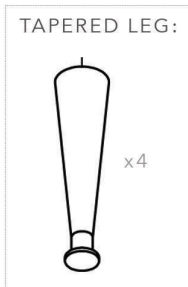
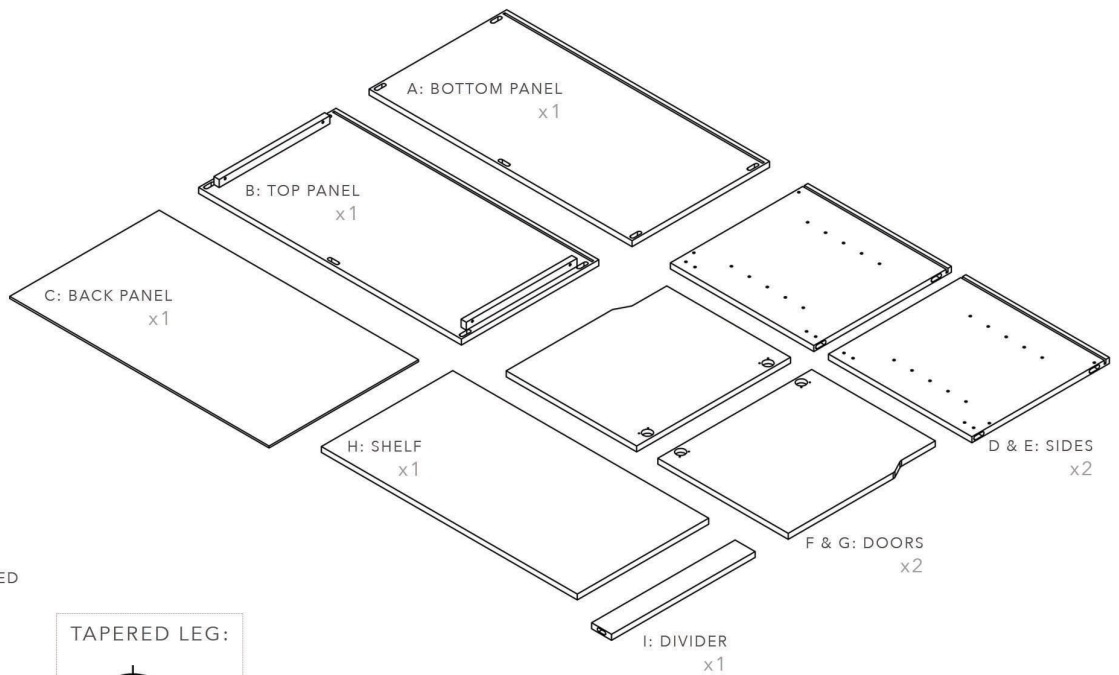
ASSEMBLY INSTRUCTIONS / THE CREDENZA



WHAT'S INCLUDED:



*NOTE: EXTRAS MAY BE INCLUDED



YOU WILL NEED:



SCISSORS



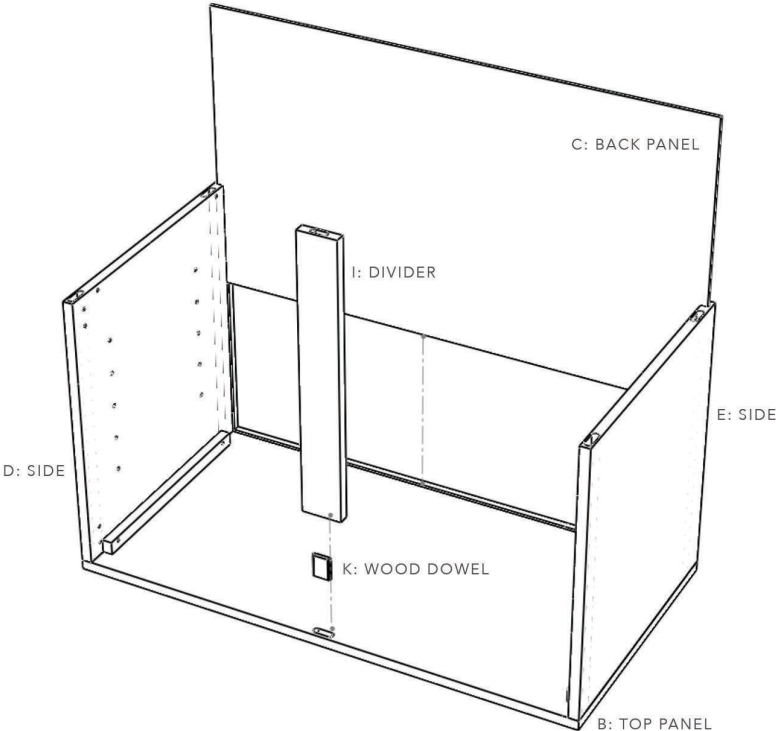
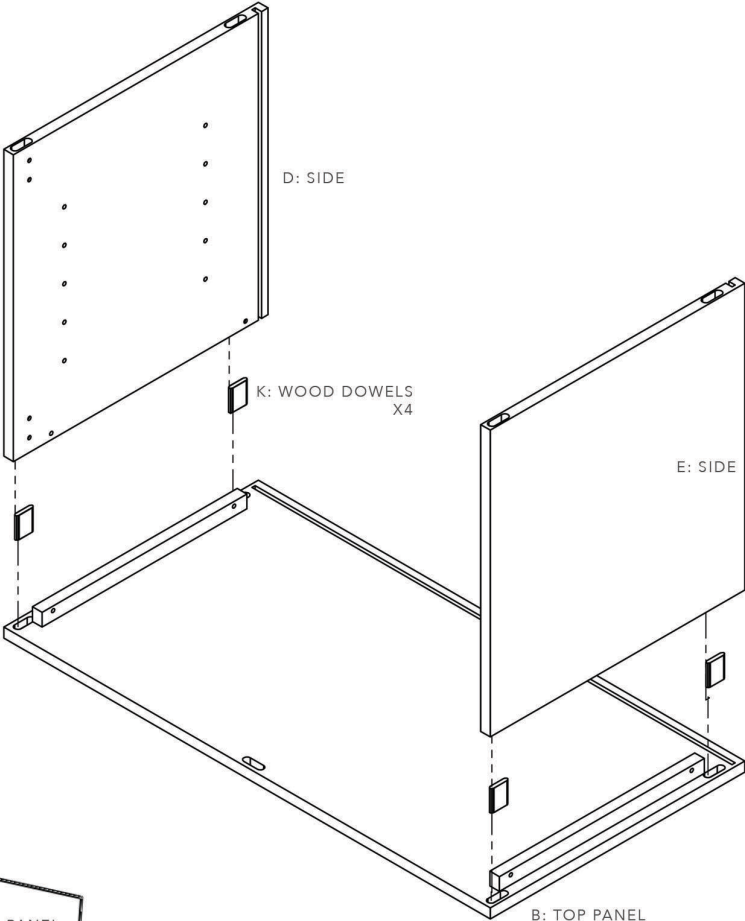
PHILLIPS HEAD
SCREWDRIVER



YOU AND ANOTHER HELPER

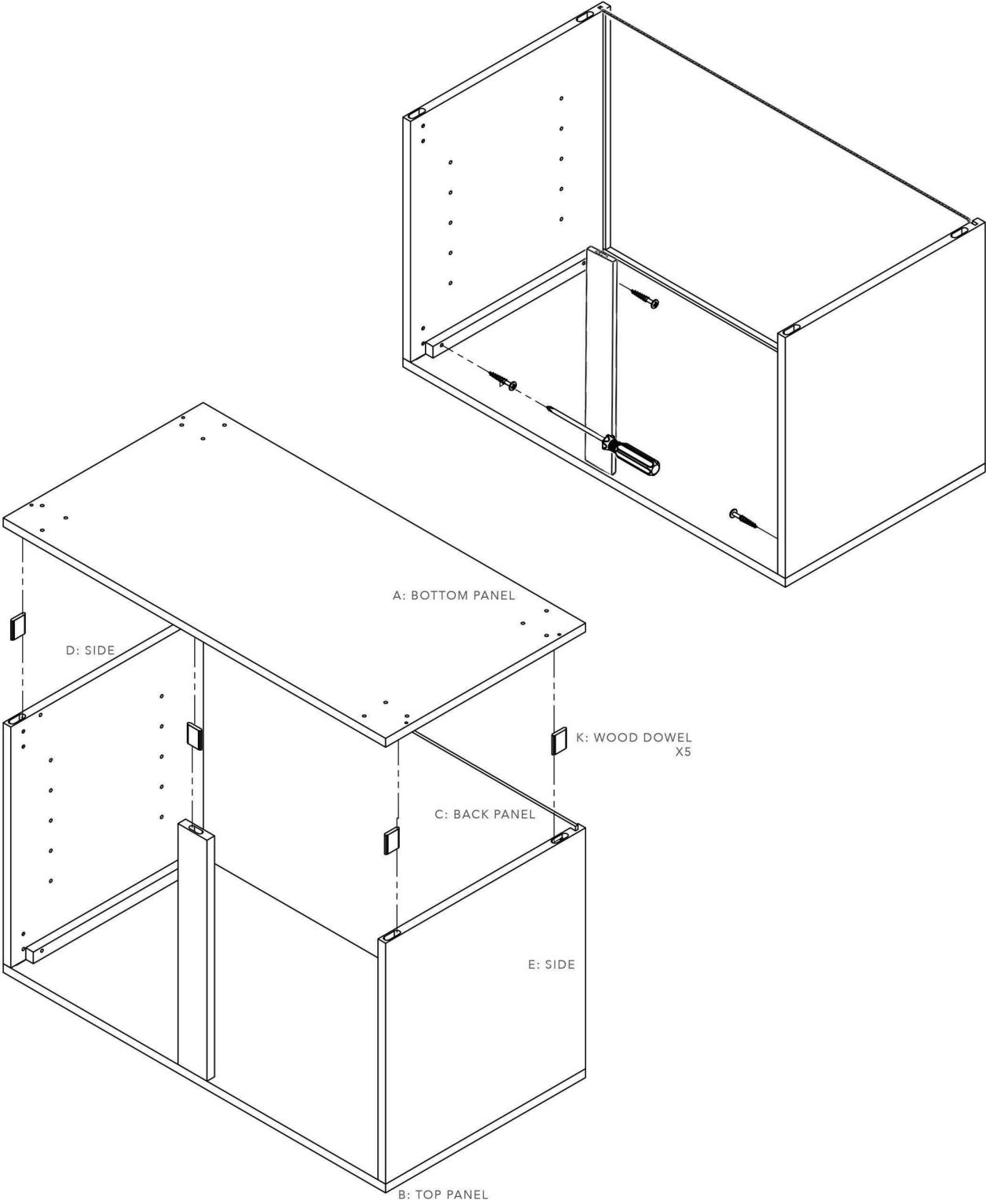
ASSEMBLY INSTRUCTIONS / THE CREDENZA

PRO TIP: TO PROTECT THE WOOD, ASSEMBLE ON TOP OF THE CARDBOARD SHEETS INCLUDED IN YOUR PACKAGING.



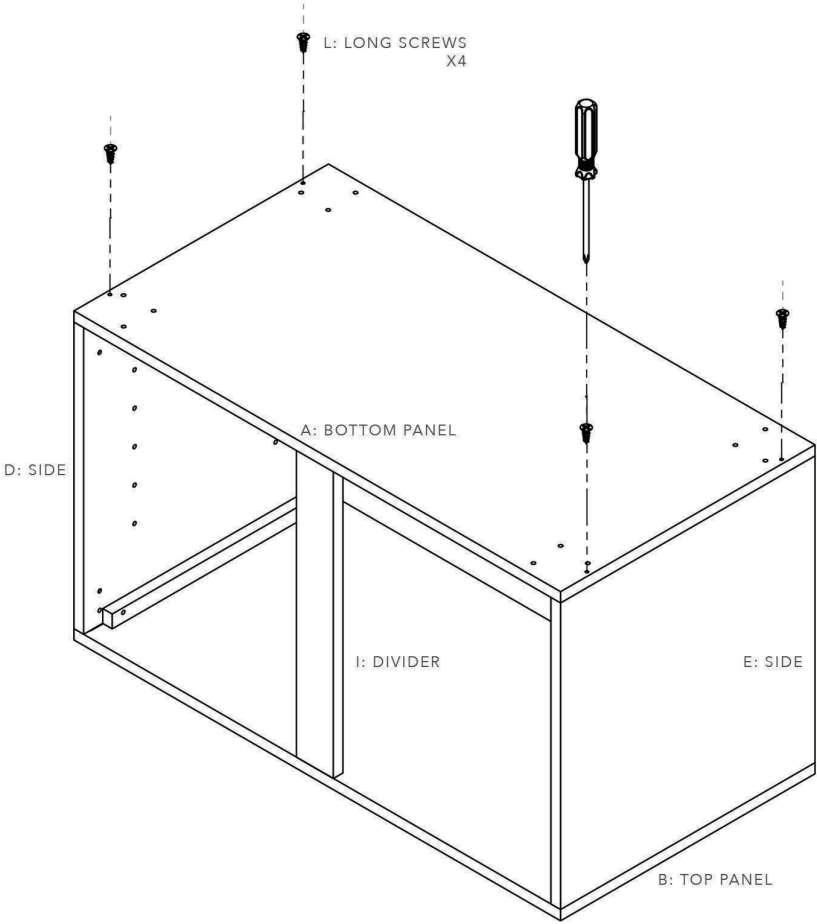
ASSEMBLY INSTRUCTIONS / THE CREDENZA

PRO TIP: TO PROTECT THE WOOD, ASSEMBLE ON TOP OF THE CARDBOARD SHEETS INCLUDED IN YOUR PACKAGING.

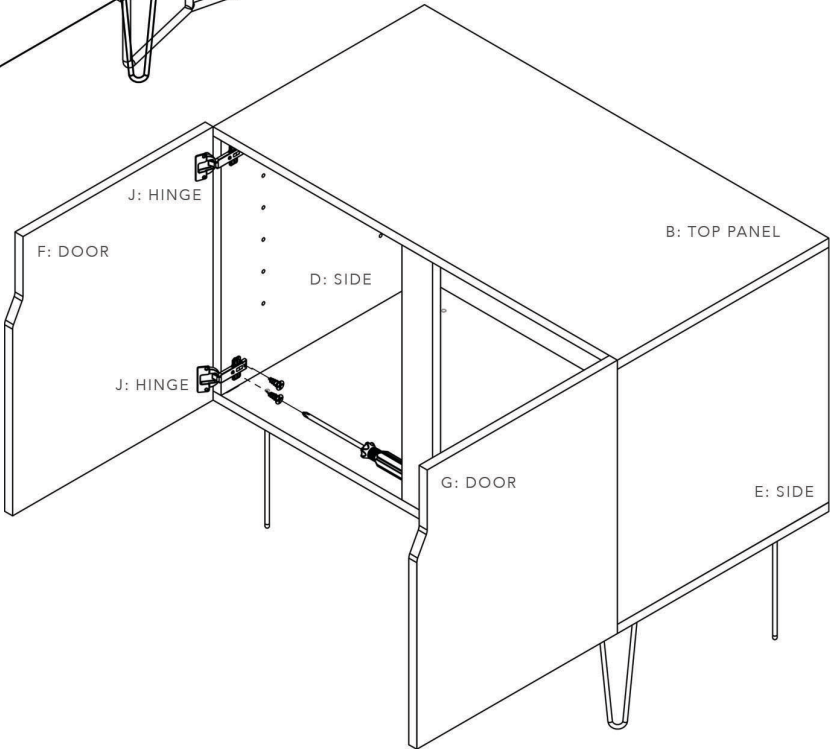
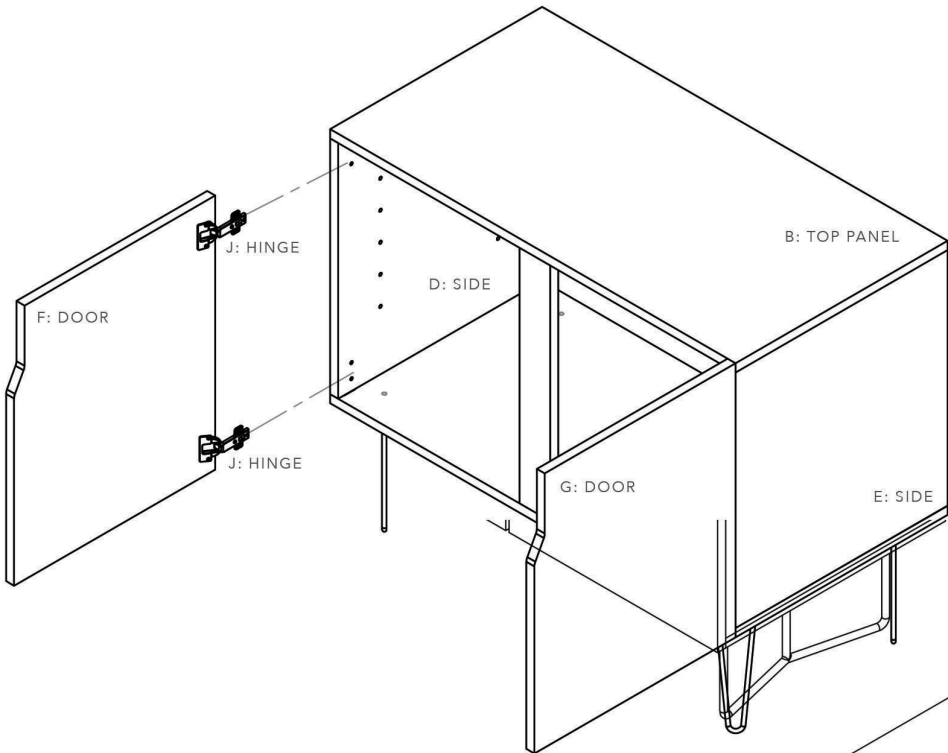


ASSEMBLY INSTRUCTIONS / THE CREDENZA

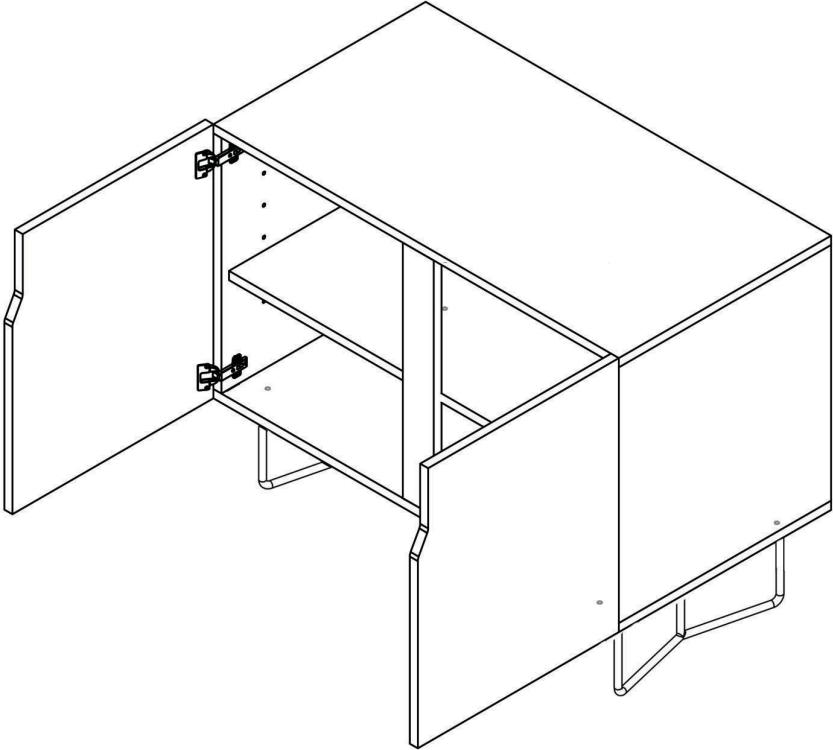
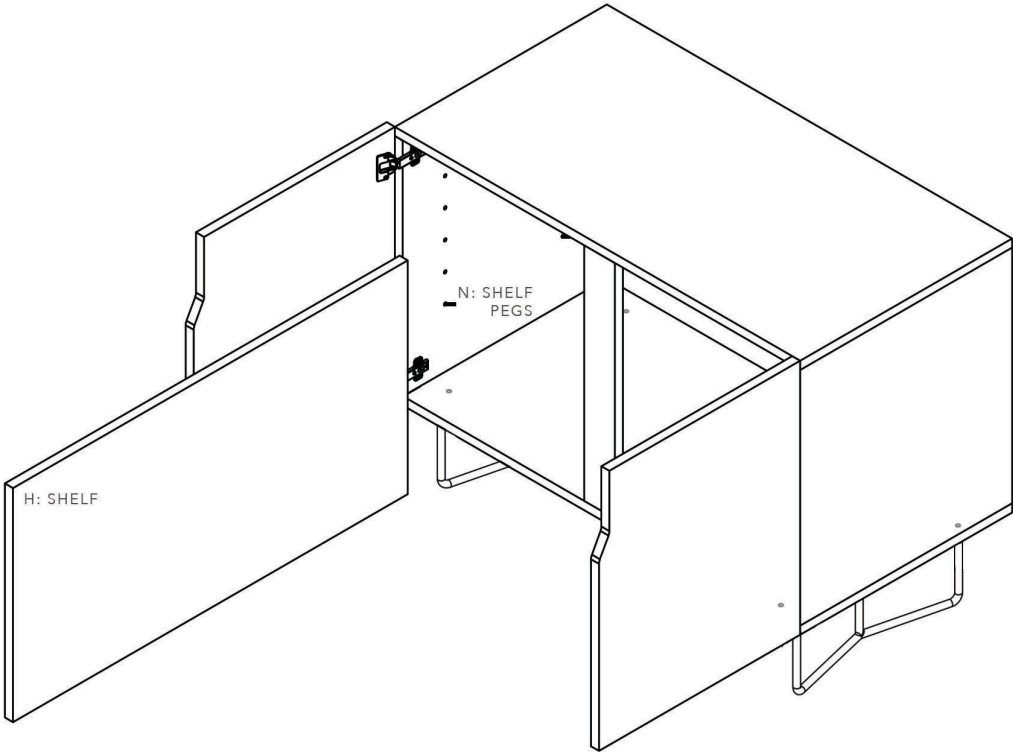
PRO TIP: TO PROTECT THE WOOD, ASSEMBLE ON TOP OF THE CARDBOARD SHEETS INCLUDED IN YOUR PACKAGING.



ASSEMBLY INSTRUCTIONS / THE CREDENZA



ASSEMBLY INSTRUCTIONS / THE CREDENZA



PRO TIP: TO PROTECT WOOD AND HARD FLOORS, USE INCLUDED FELT PROTECTORS UNDERNEATH THE CREDENZA LEGS.