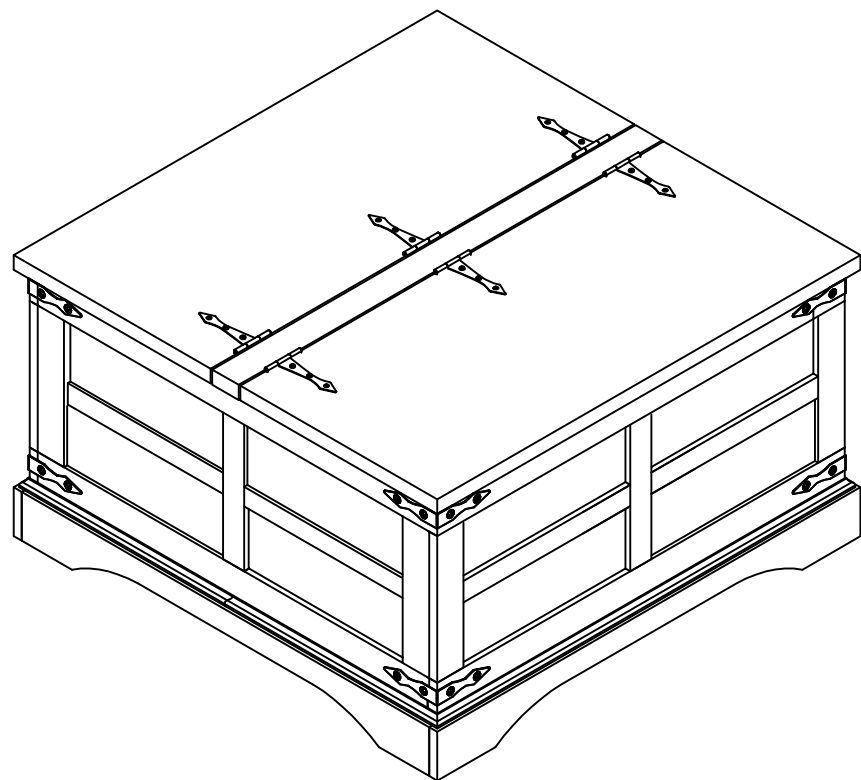


# Assembling Instruction

## Assembly Instructions

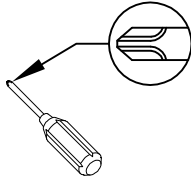


ATTENTION

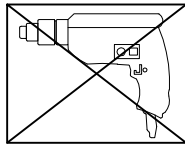
If there is any missing, please kindly send us messages to let us know the name of missing part regarding to the first page of instructions.

# General Assembly Guidelines

- I. Ensure that all parts and hardware are available before beginning assembly.
- II. Follow each step carefully to ensure the proper assembly of this product.
- III. Two people are recommended for ease in the assembly of this product.
- IV. The three main types of hardware used to assemble this product are : wood dowels , screws and bolts.
- VI. A Phillips head screwdriver is required for the assembly of this product .

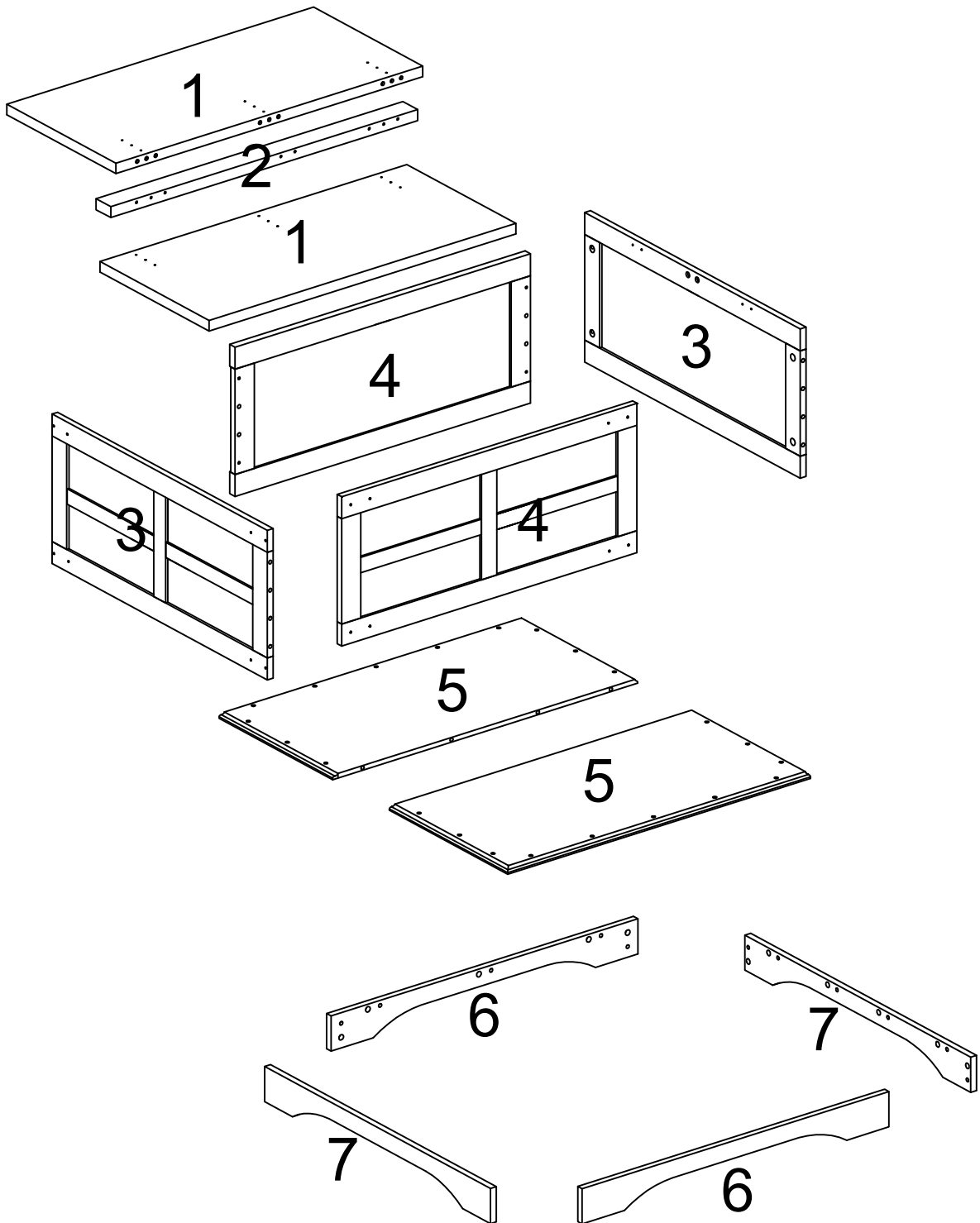


- VI. Power tools should not be used to assemble this product .



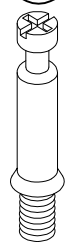
- VII. Concealed hinges are three-way adjustable.

# Parts List



# HARDWARE PACK CONTENT

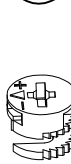
(A)



Ø6x35mm

8x +1

(B)



Ø15x11mm

8x +1

(C)



Ø8x30mm

16x+1

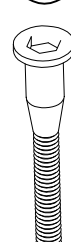
(D)



Ø8x40mm

4x

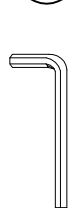
(E)



Ø6x40mm

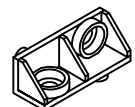
14x+1

(F)



1x

(G)



18x+1

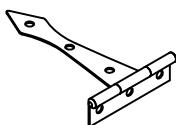
(H)



M6\*12mm

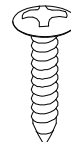
44x +2

(I)



6x

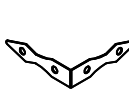
(J)



Ø3x15mm

52x+2

(K)



8x

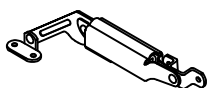
(L)



Ø5x15mm

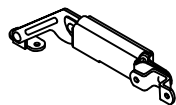
32x+2

(M)



2x

(O)



2x

(P)



Ø4x14mm

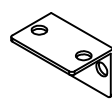
6x+1

(Q)



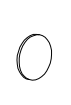
3x

(R)



2x

(S)



Ø30mm

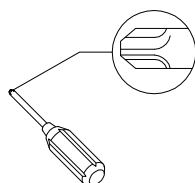
12x

(T)



Ø9mm

4x



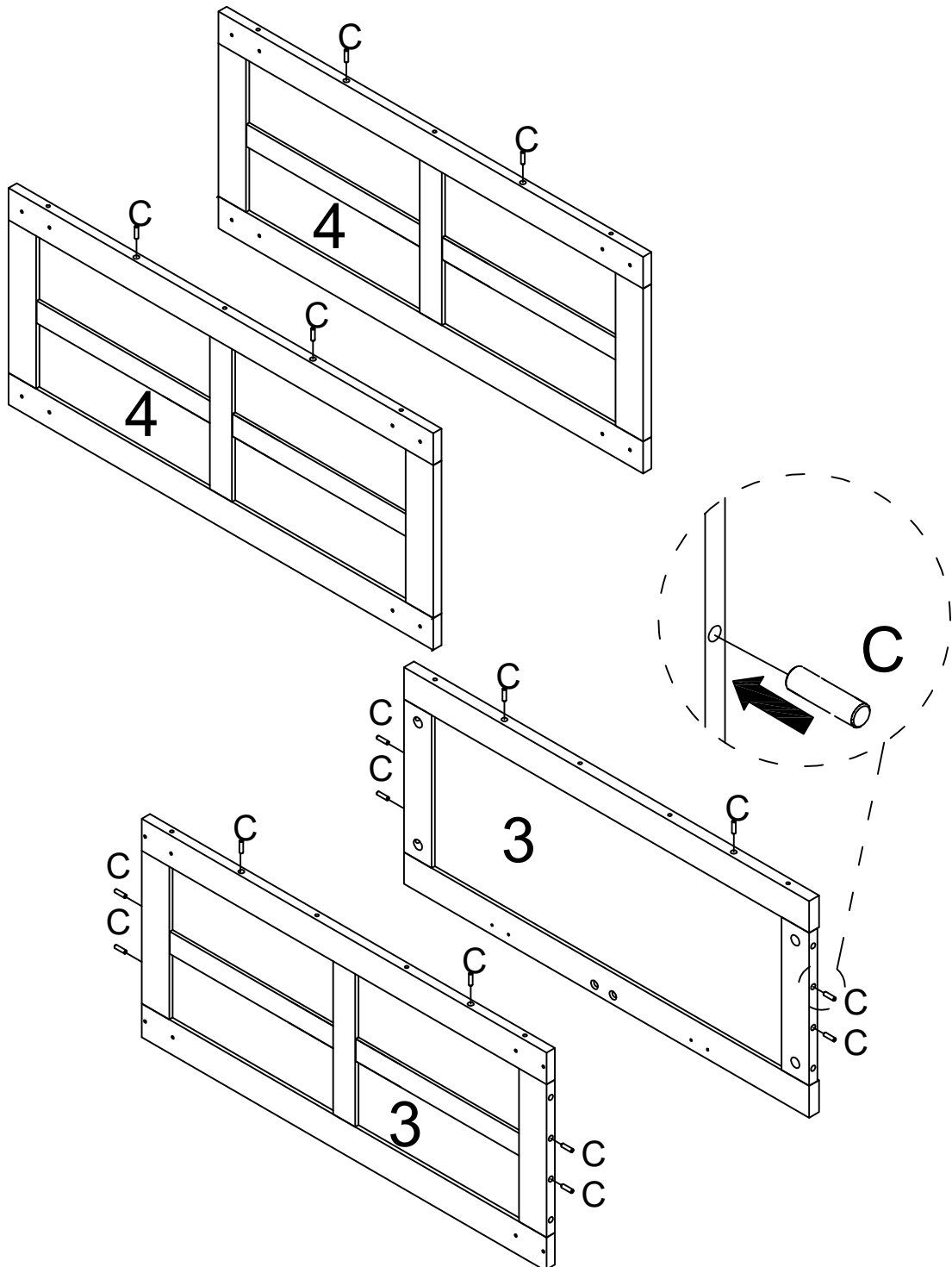
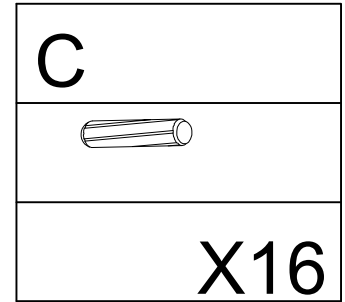
Philips head screwdriver required for assembly  
(not included)

*The hardware quantities listed above are required for proper assembly.  
Some extra hardware may also have been included.*

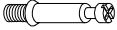
# Step 1

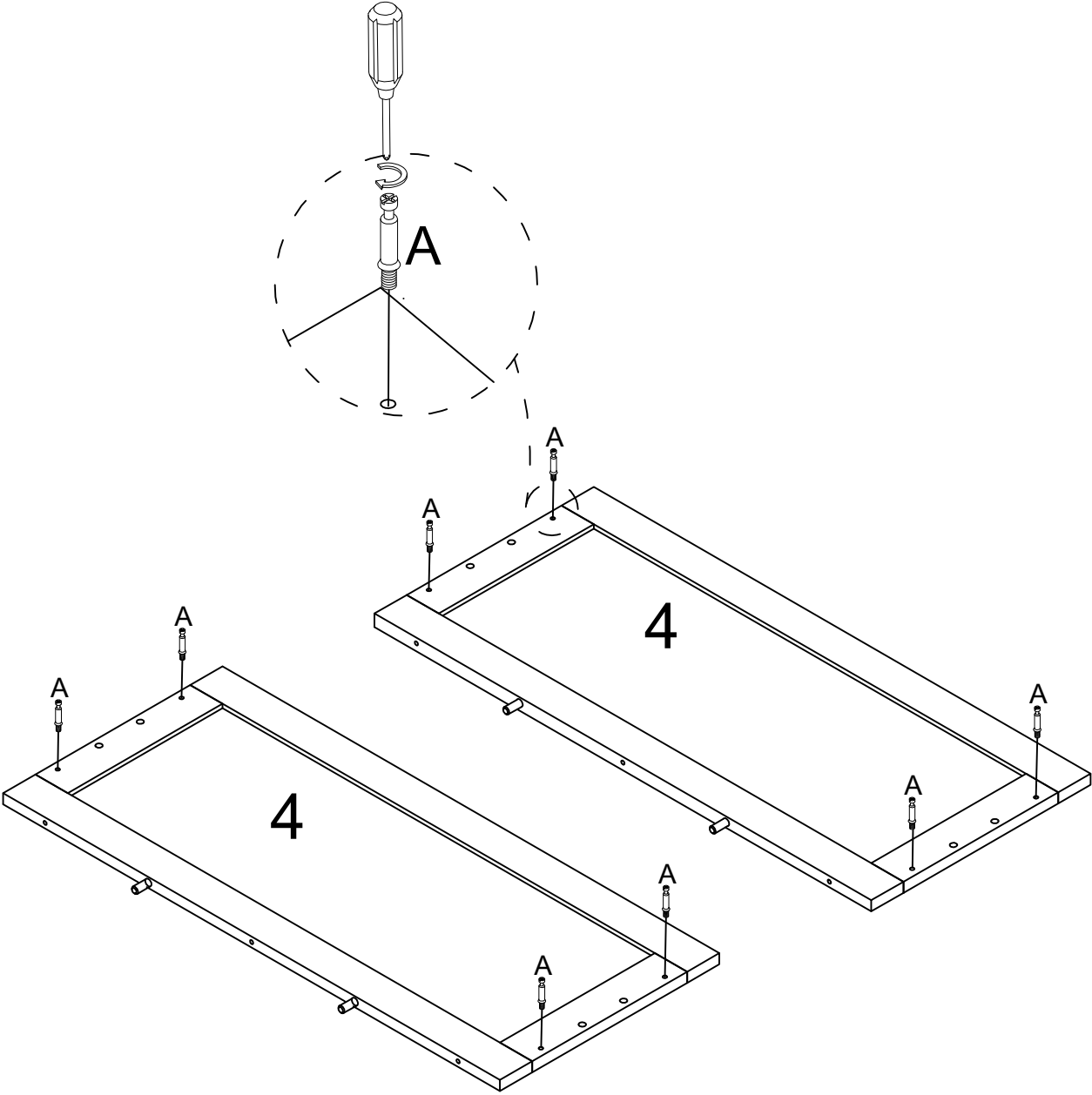
## ⚠ CAUTION

Please use #C Ø8X30mm wooden dowels, not #D Ø8X40mm wooden dowel




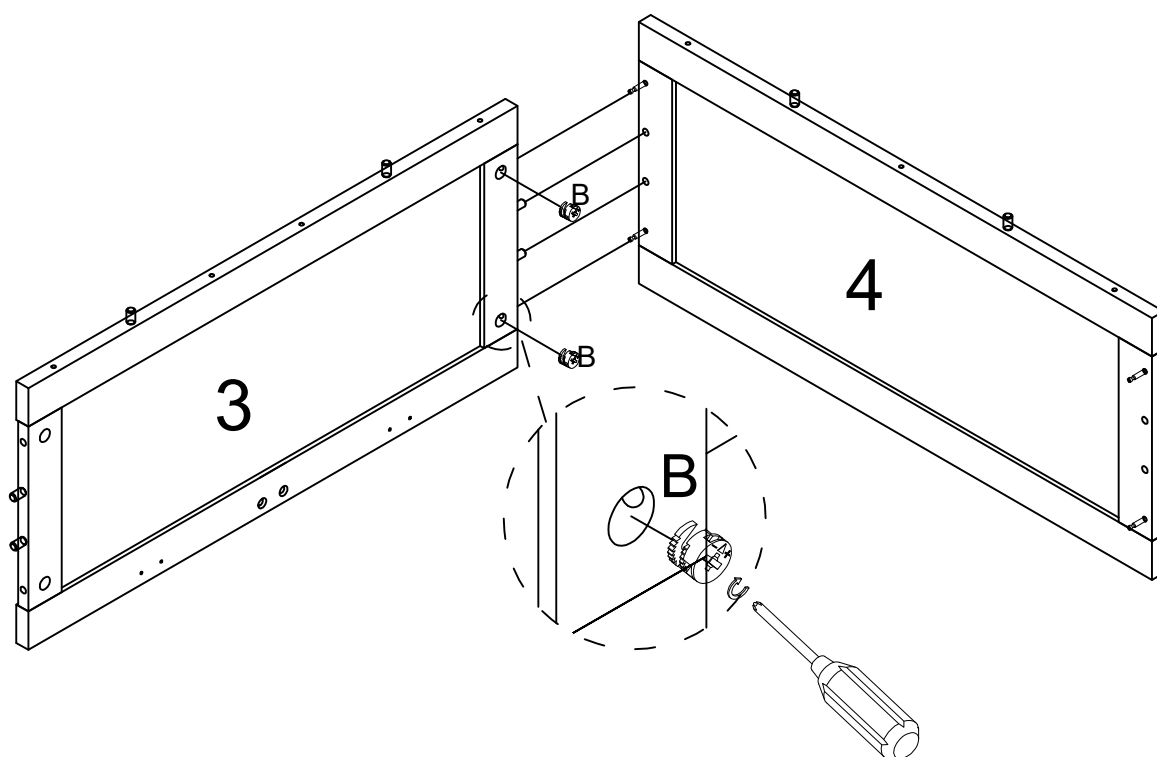
# Step 2

A

X8




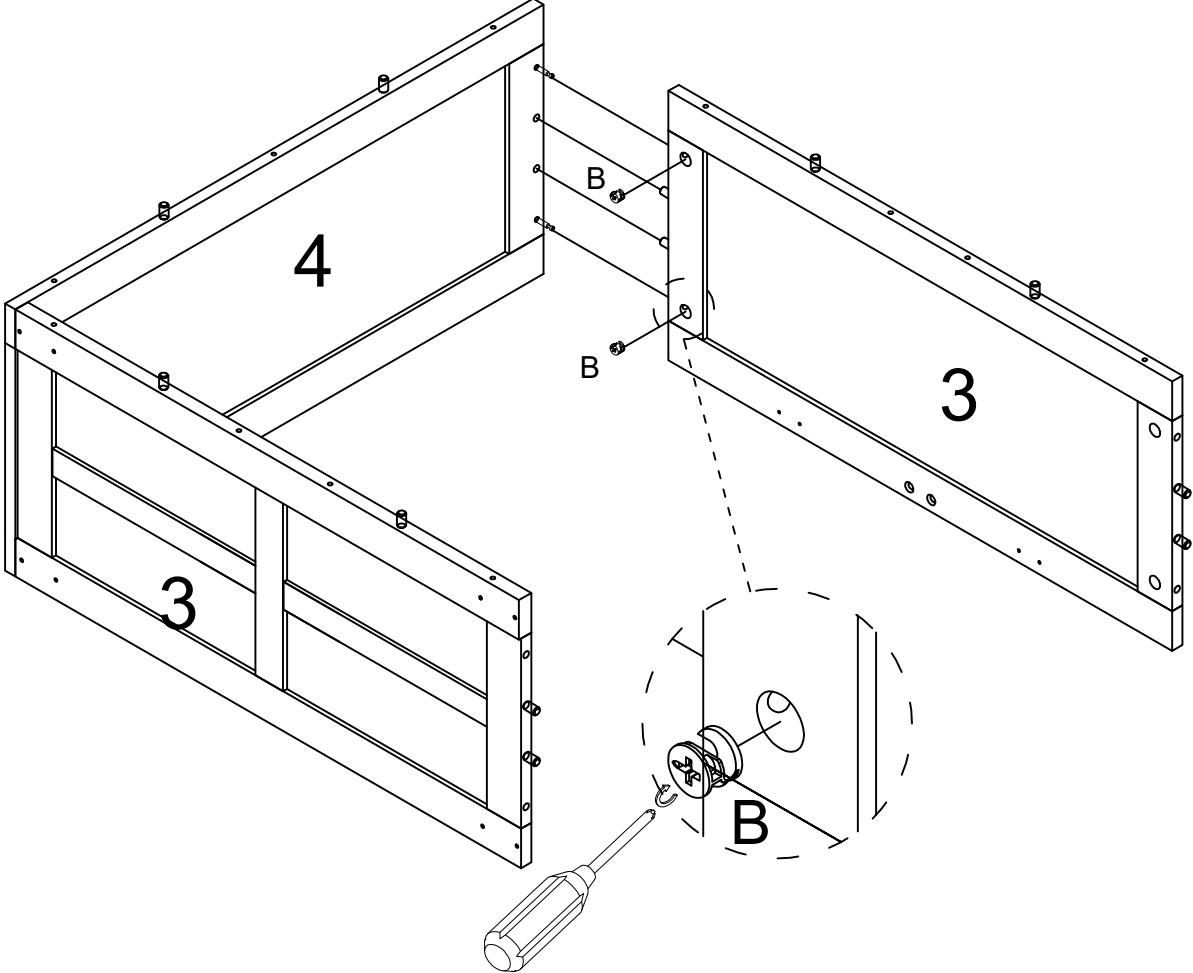
# Step 3

B

X2



# Step 4

<b>B</b>

<b>X2</b>



# Step 5



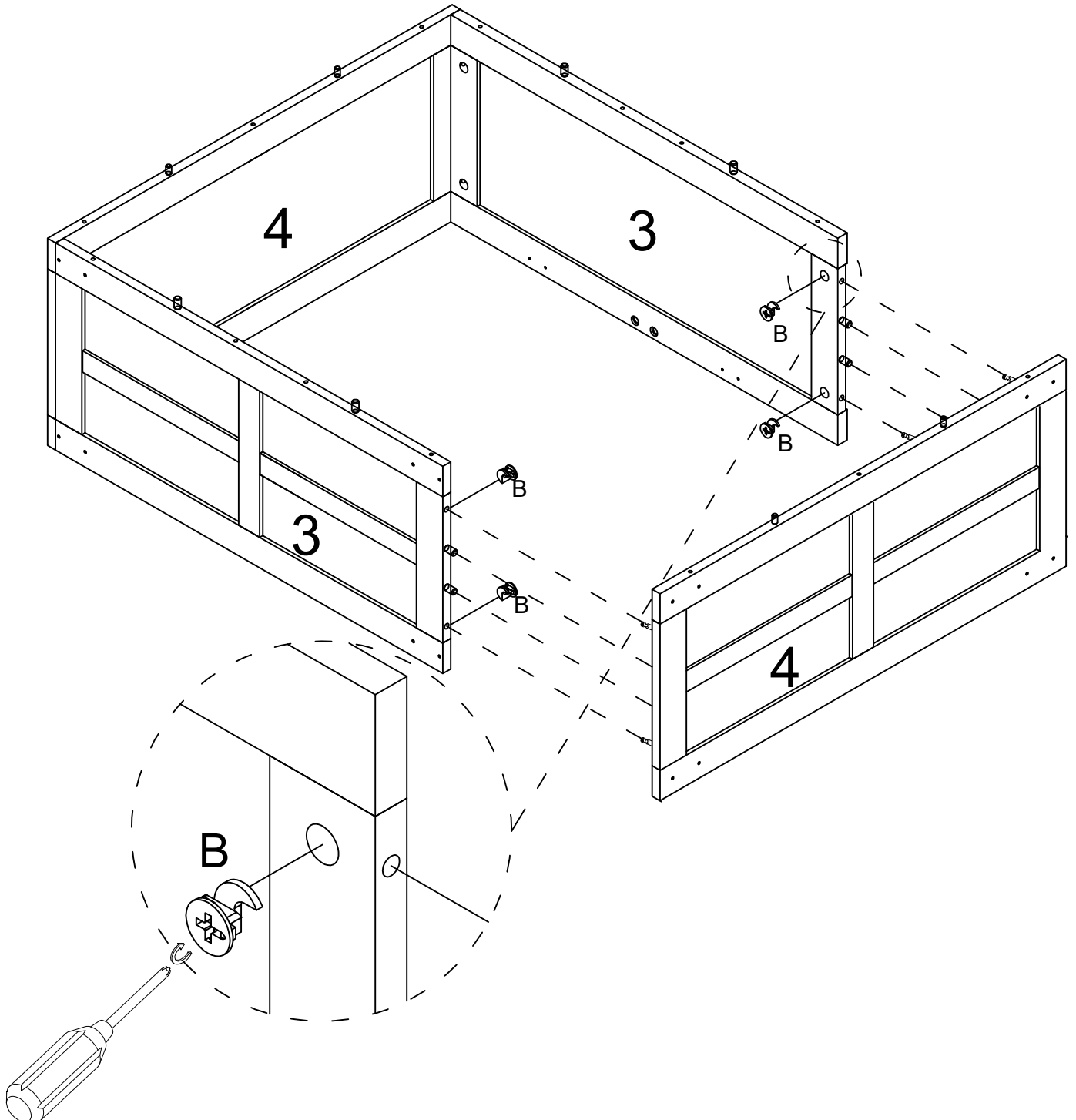
## CAUTION

Firstly, please turn the side with the wooden dowels up.

**B**




**X4**

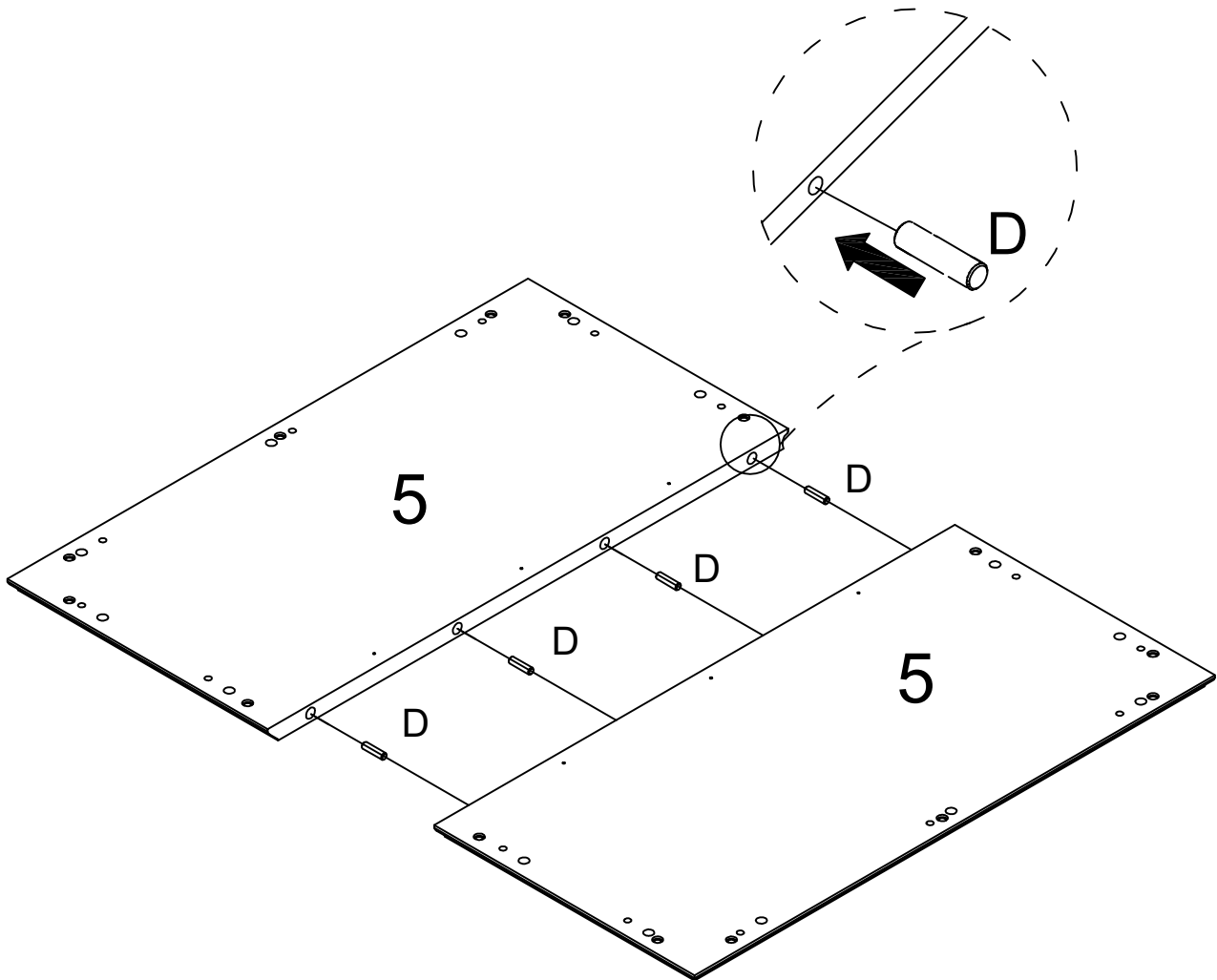


## Step 6


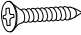
 CAUTION

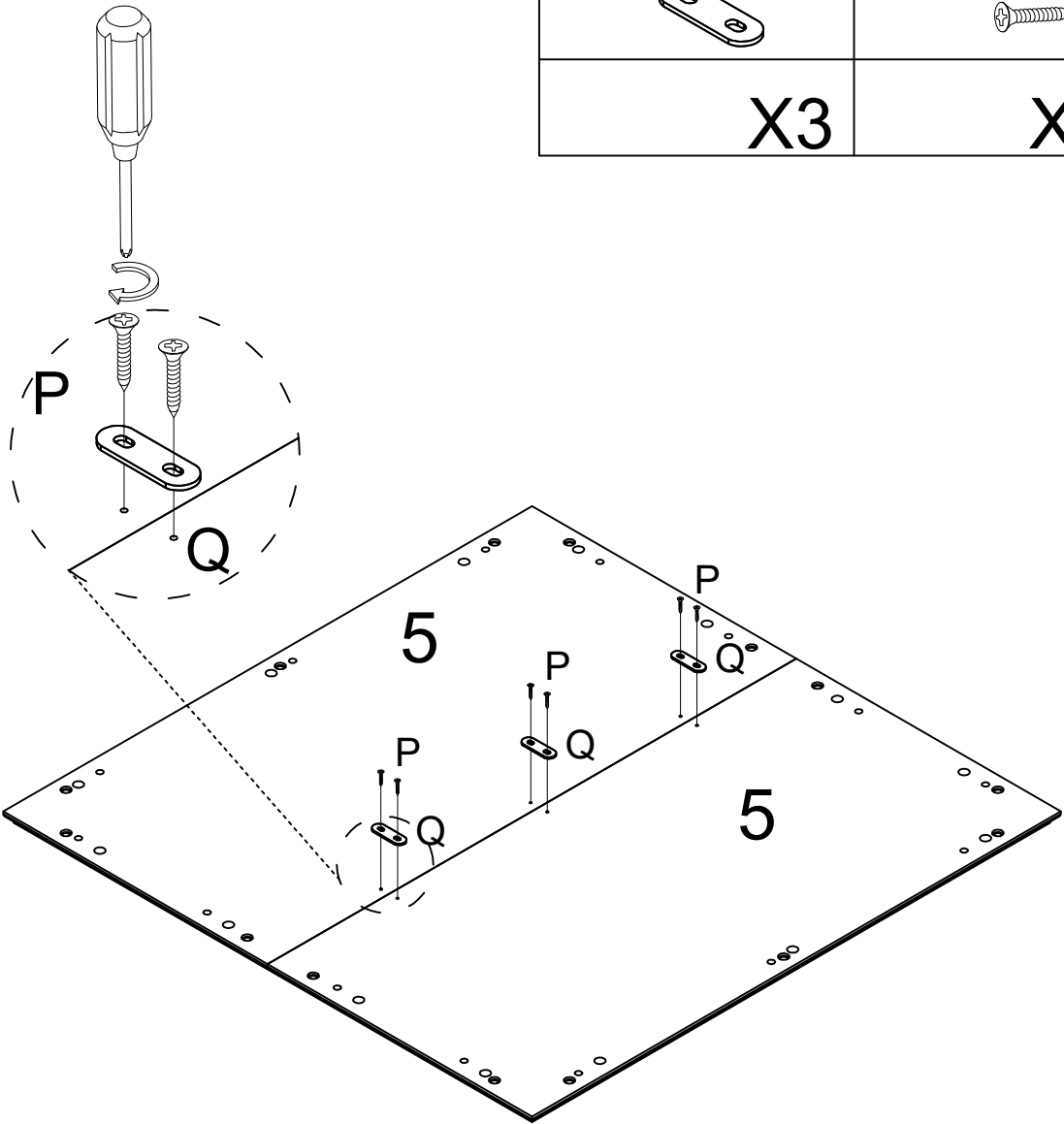
Please use #D Ø8X40mm wooden dowels here.

D

X4

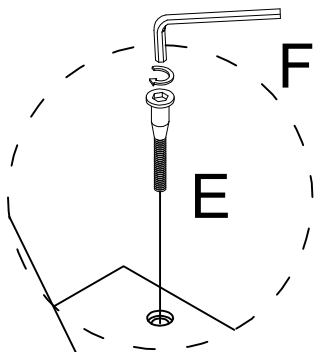


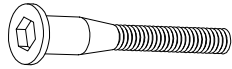
# Step 7

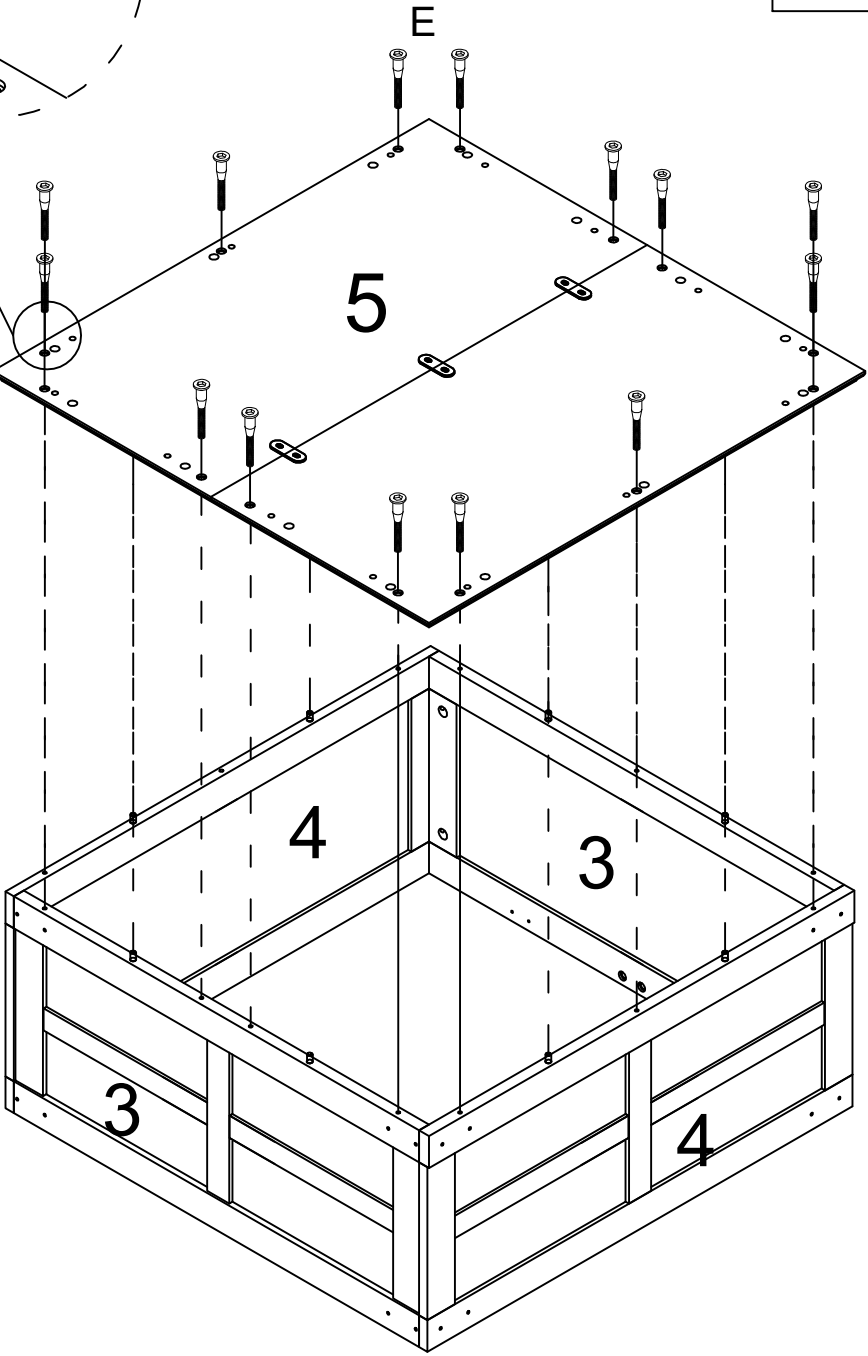
Q	P
	
X3	X6



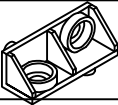
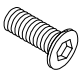
# Step 8

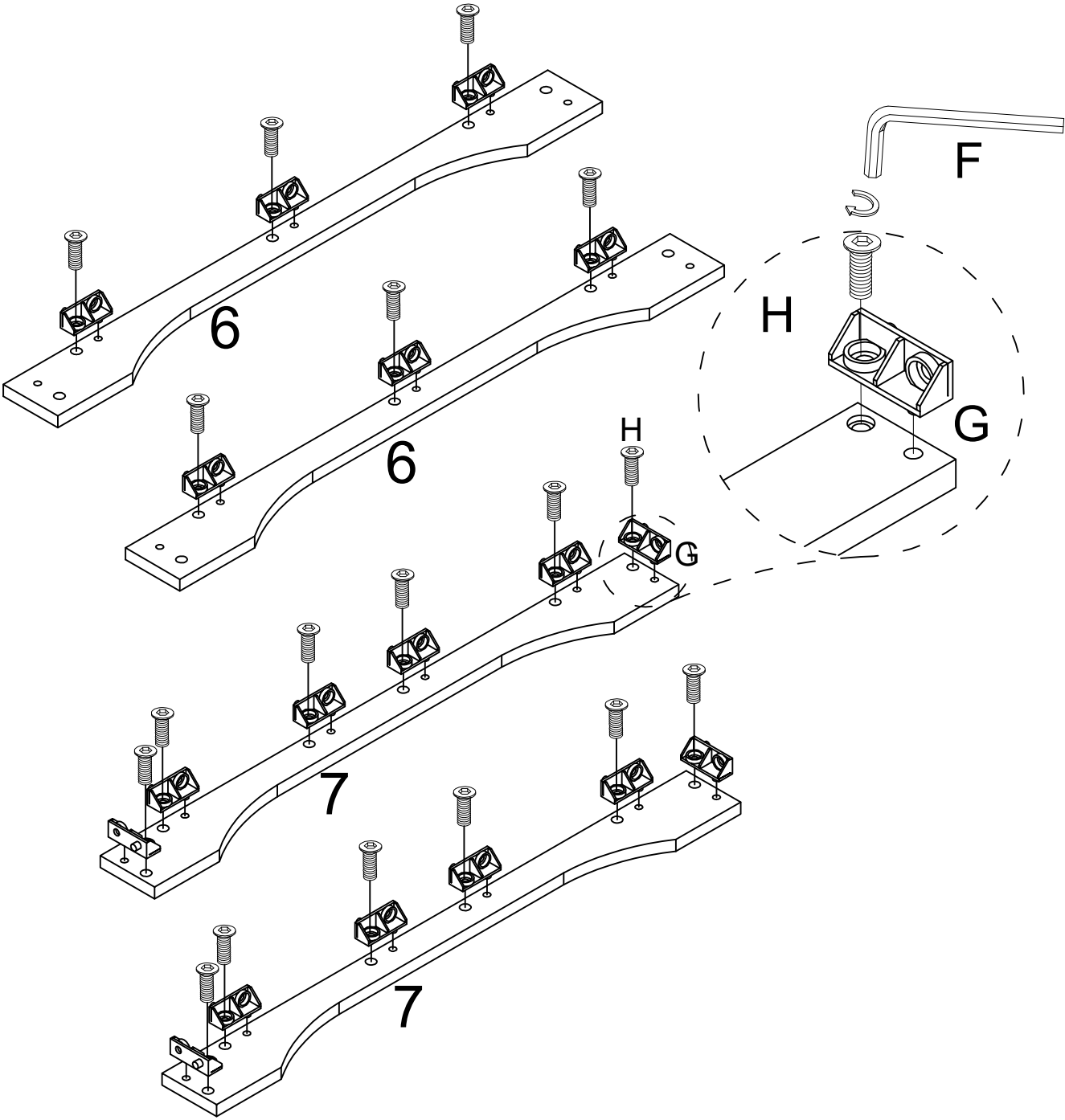


<b>E</b>

<b>X14</b>

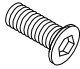


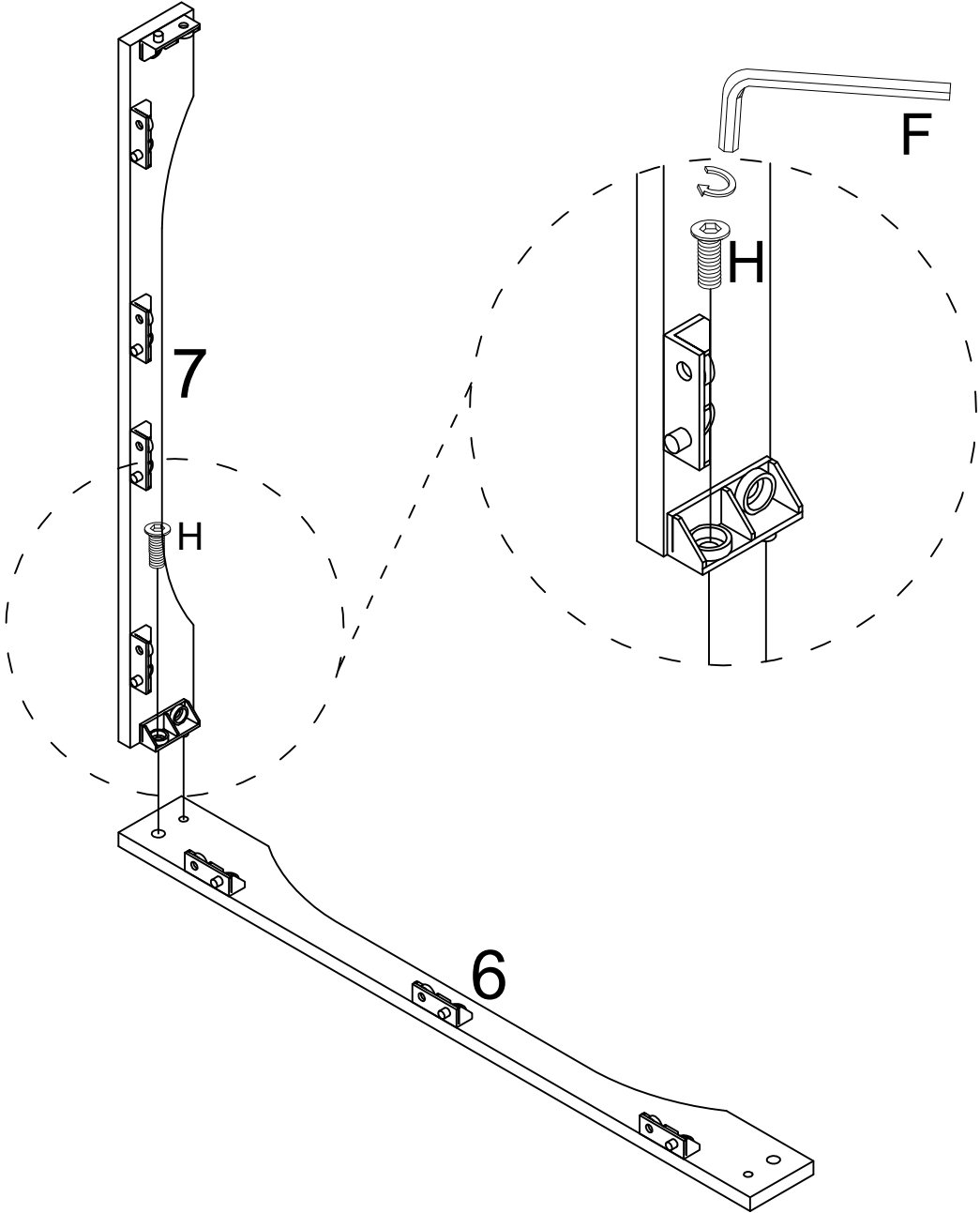
# Step 9

<b>G</b>	<b>H</b>
	
<b>X18</b>	<b>X18</b>

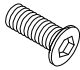


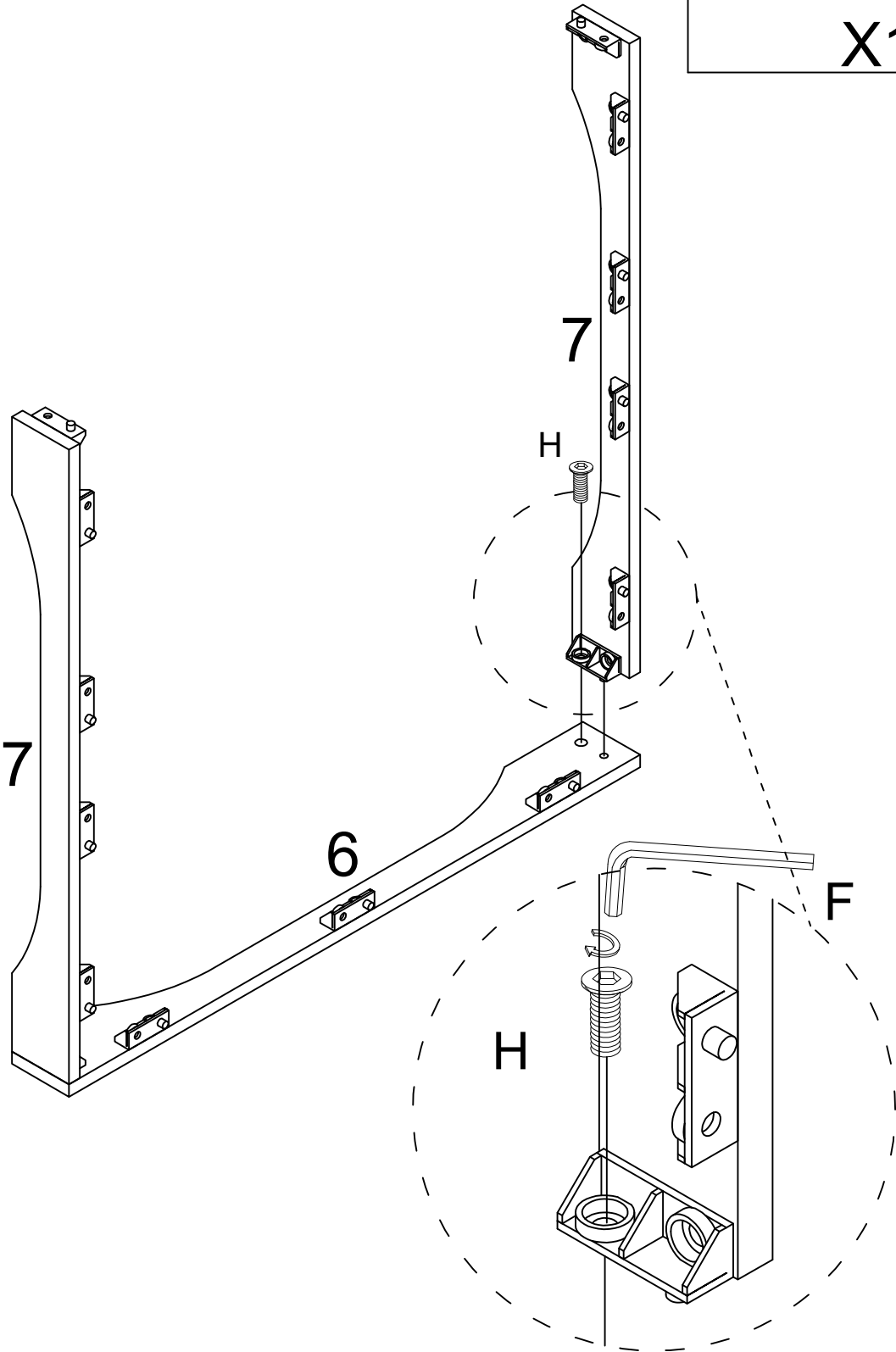
# Step 10

H

X1




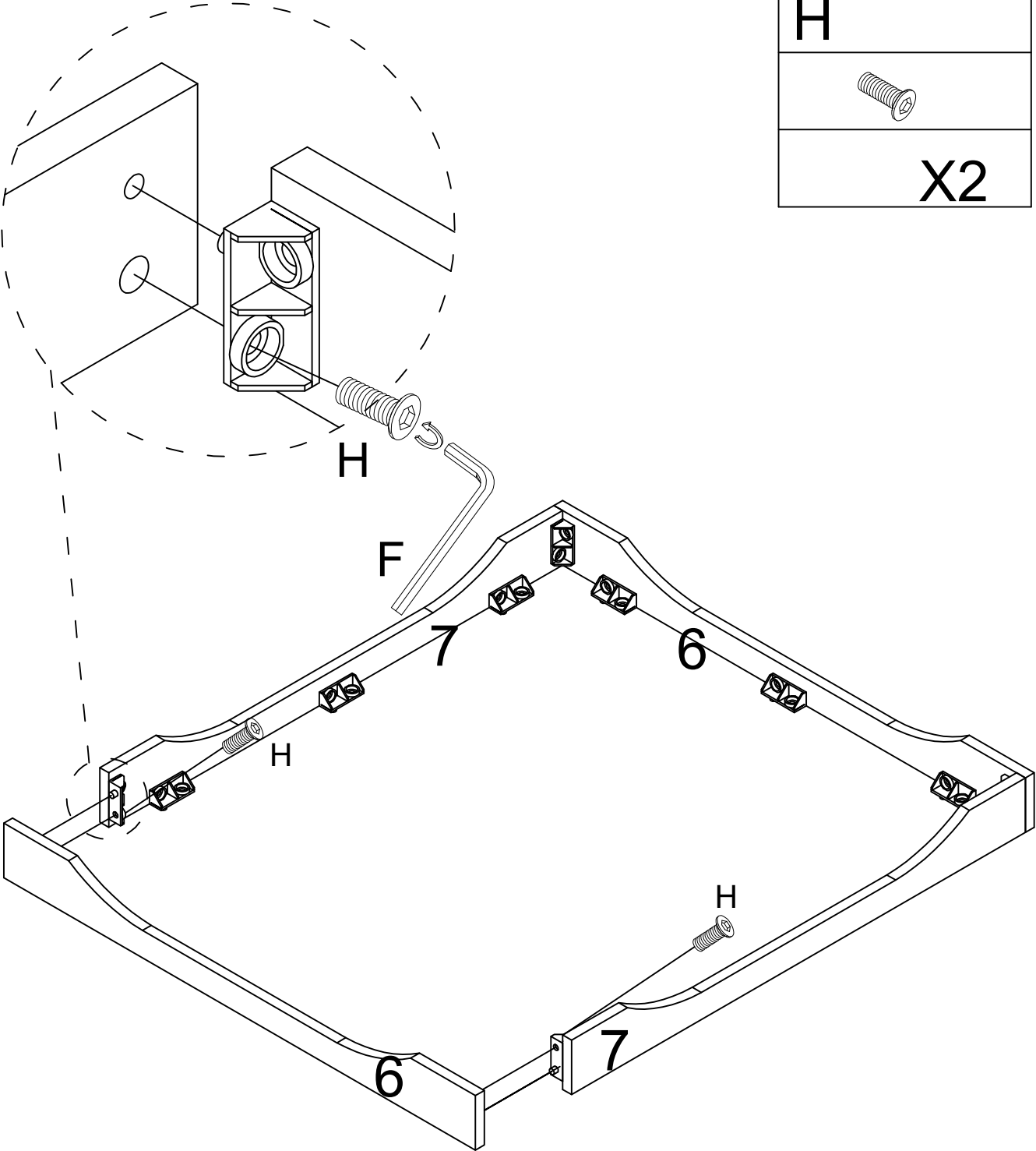
# Step 11

H

X1

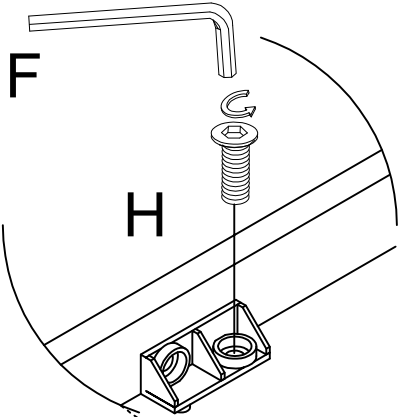


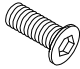
# Step 12

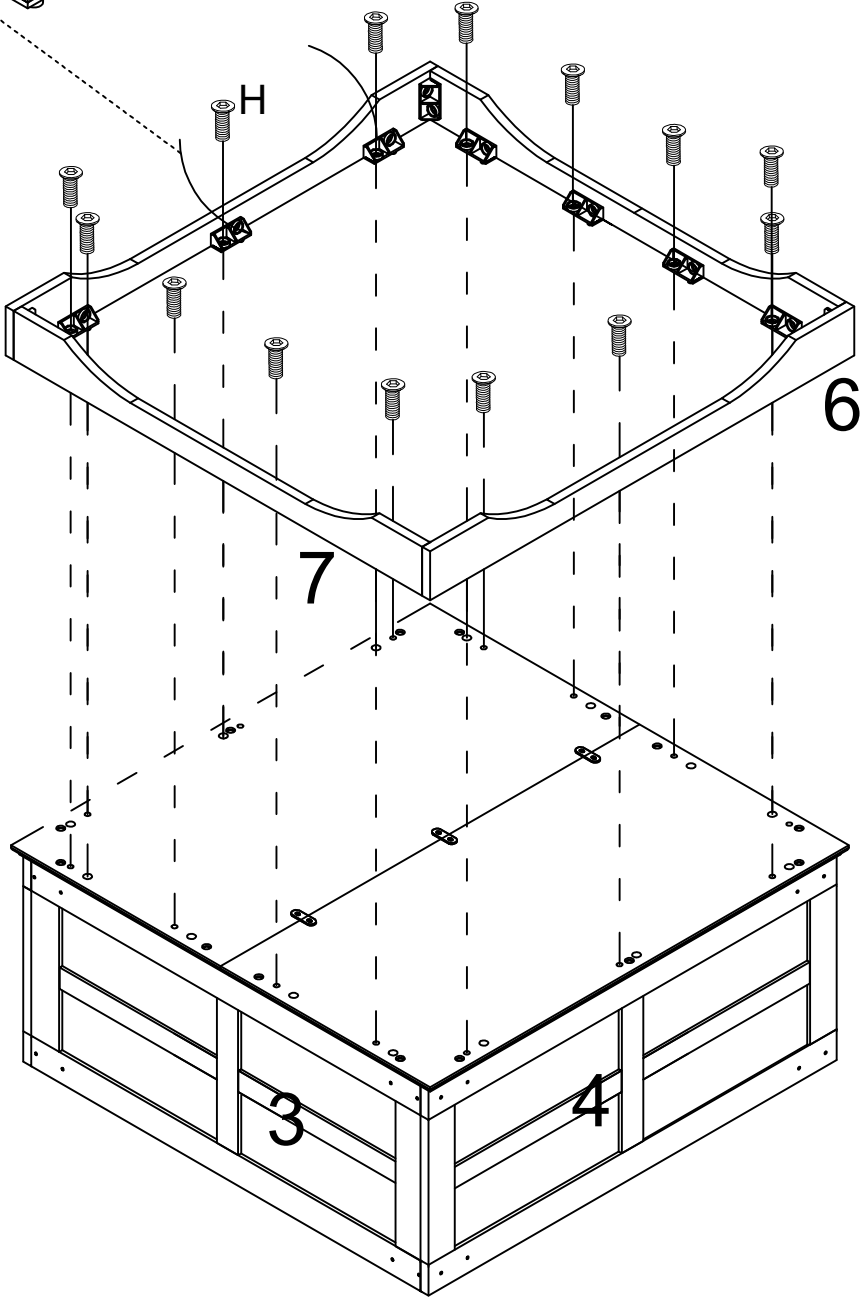
H

X2





# Step 13

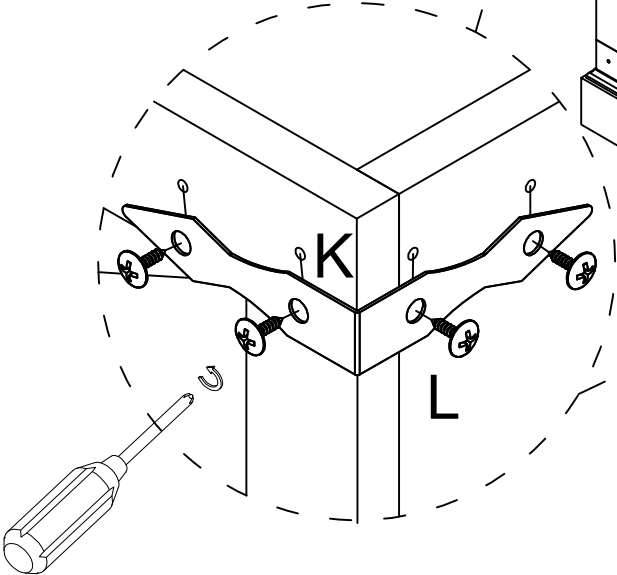
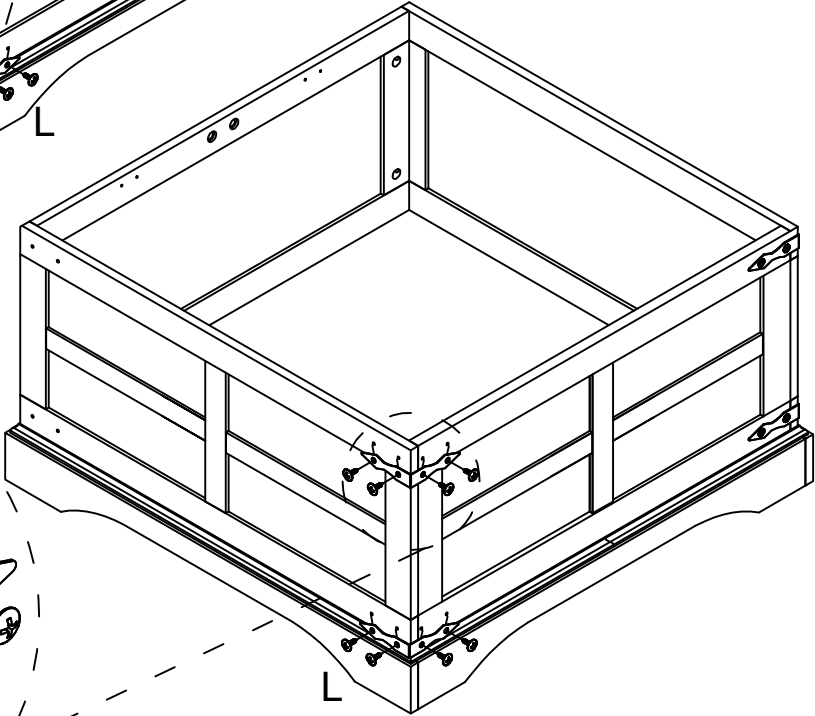
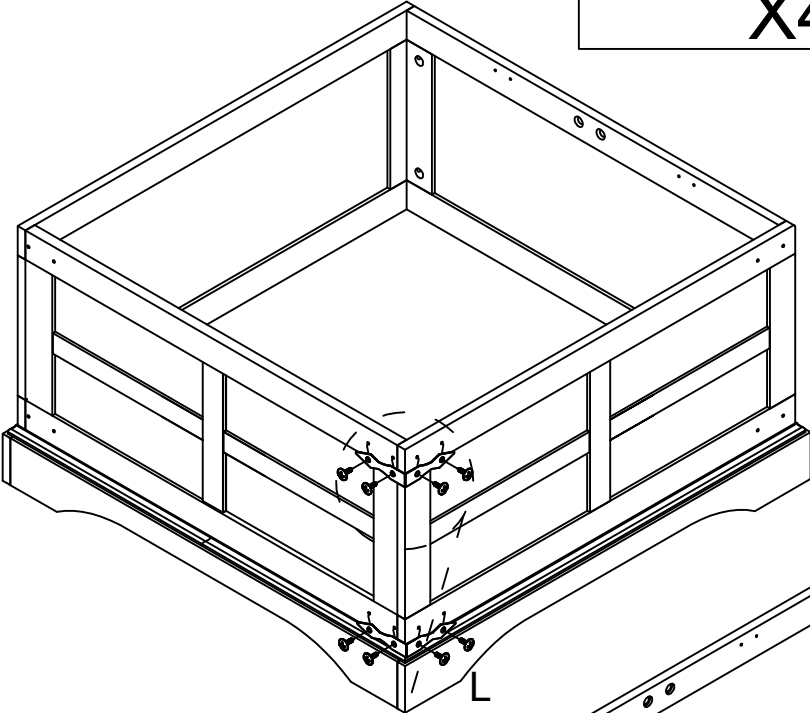


H

X14





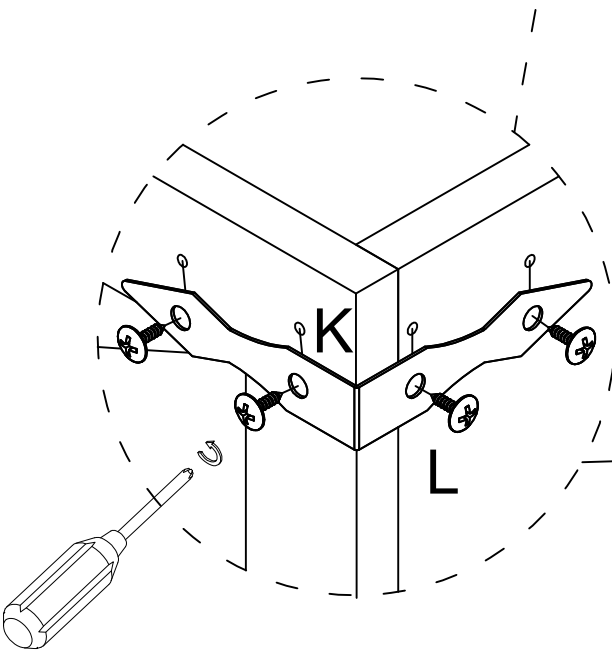
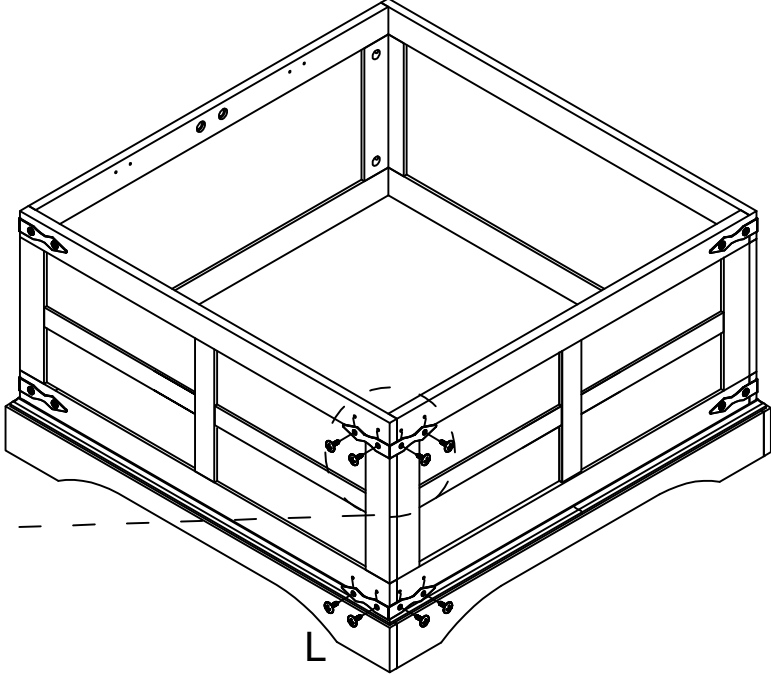
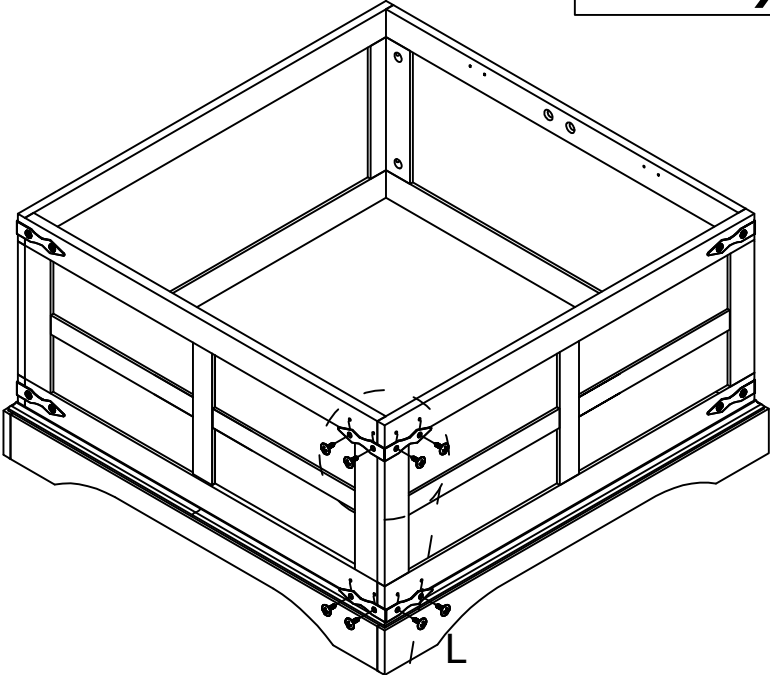
# Step 14

<b>K</b>	<b>L</b>
	
<b>X4</b>	<b>X16</b>

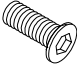
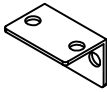


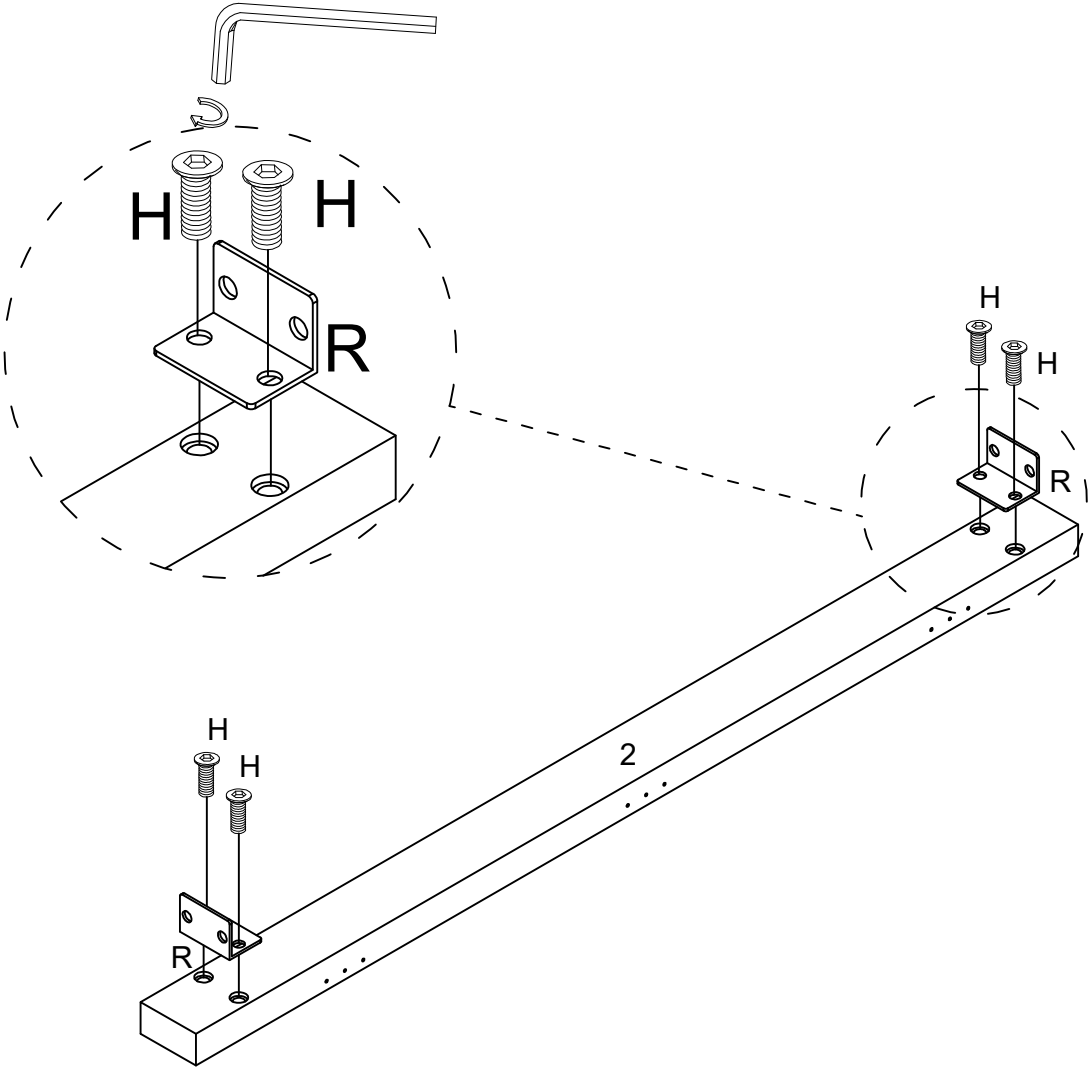
# Step 15

K	L
	
X4	X16

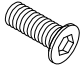


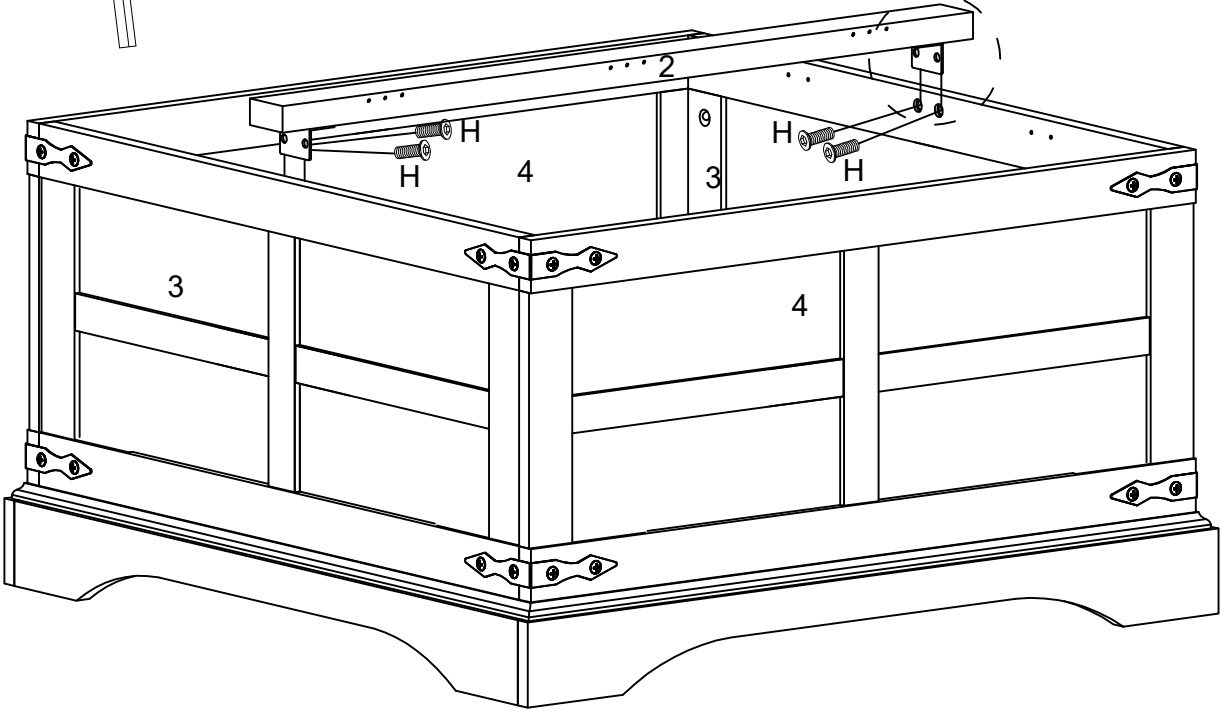
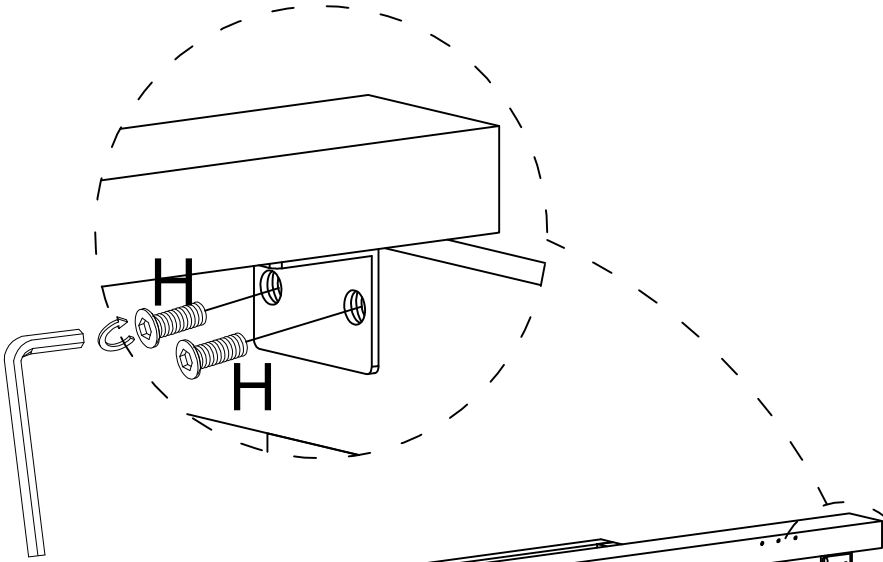
# Step 16

H	R
	
X4	X2



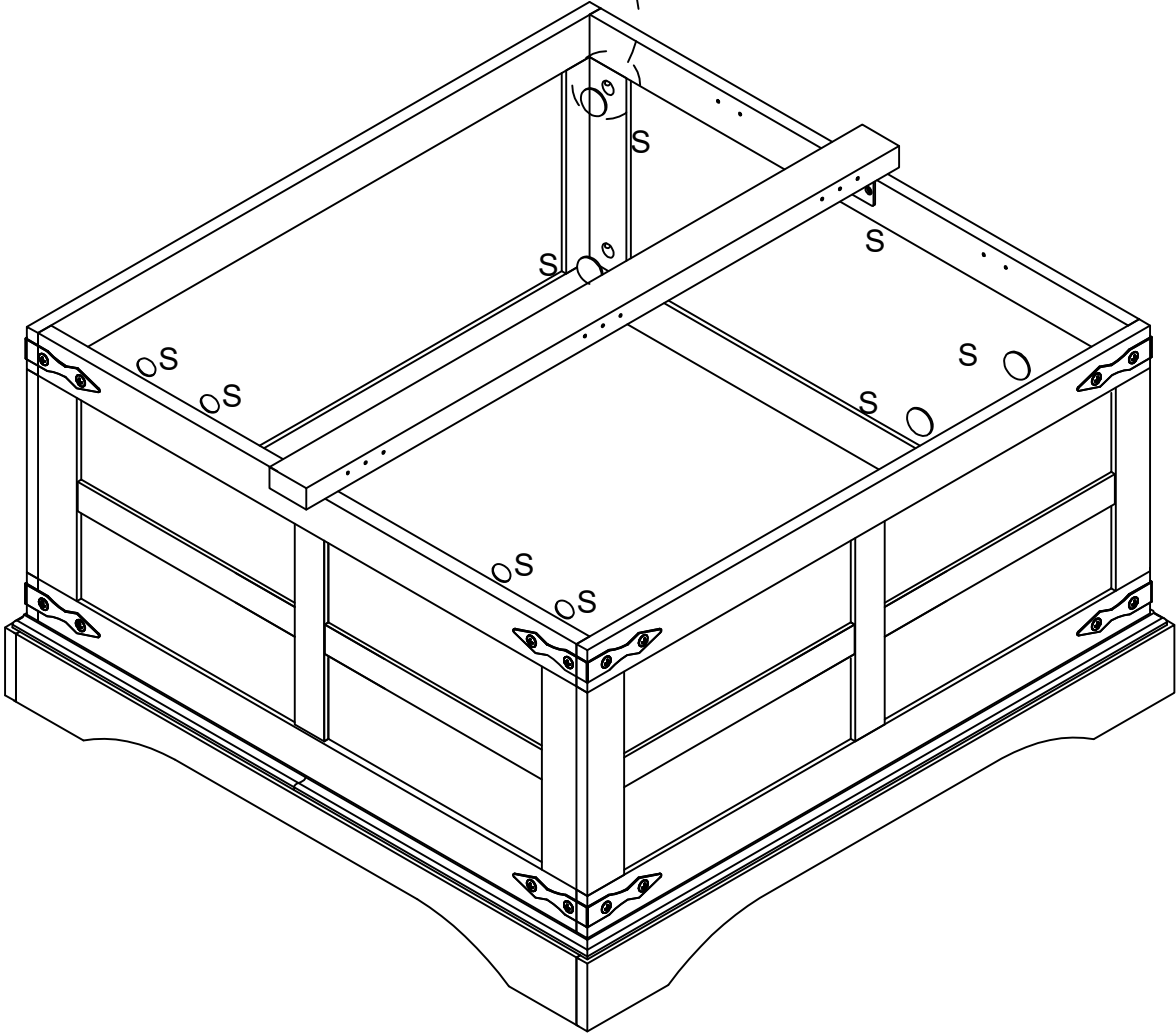
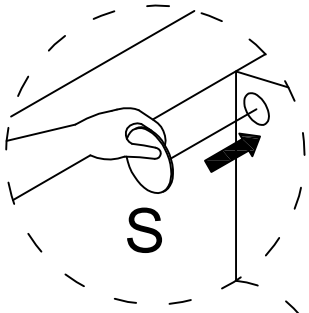
# Step 17

H

X4

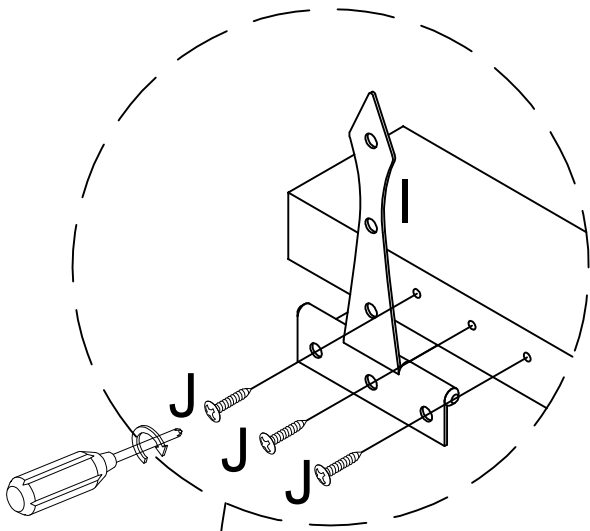


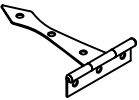
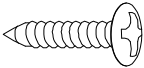
# Step 18

S
O
X8



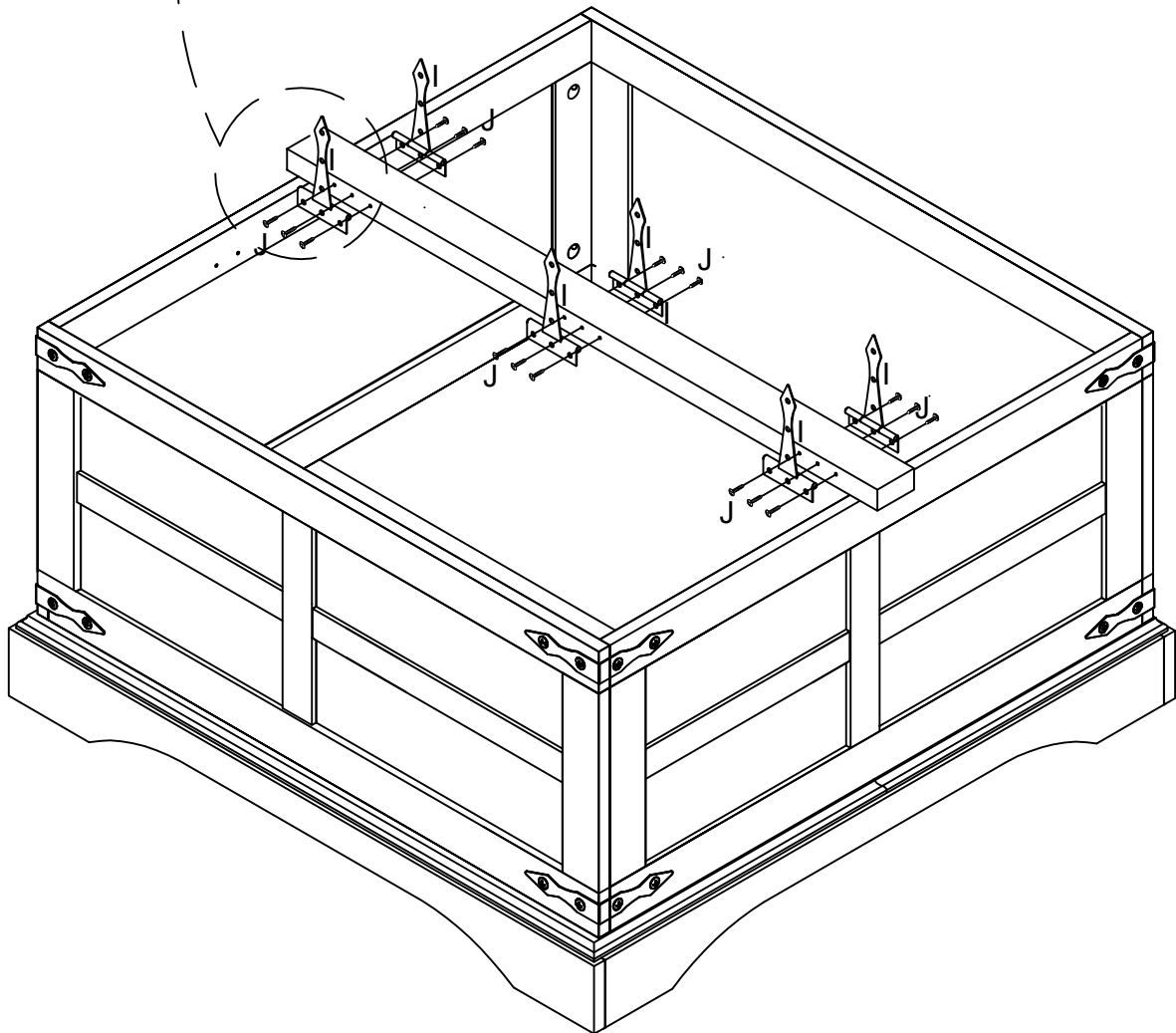
# Step 19



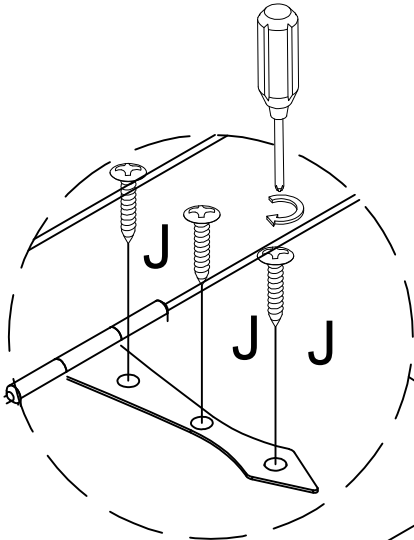
I	J
	
X6	X18

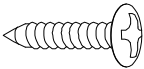
## ⚠ CAUTION

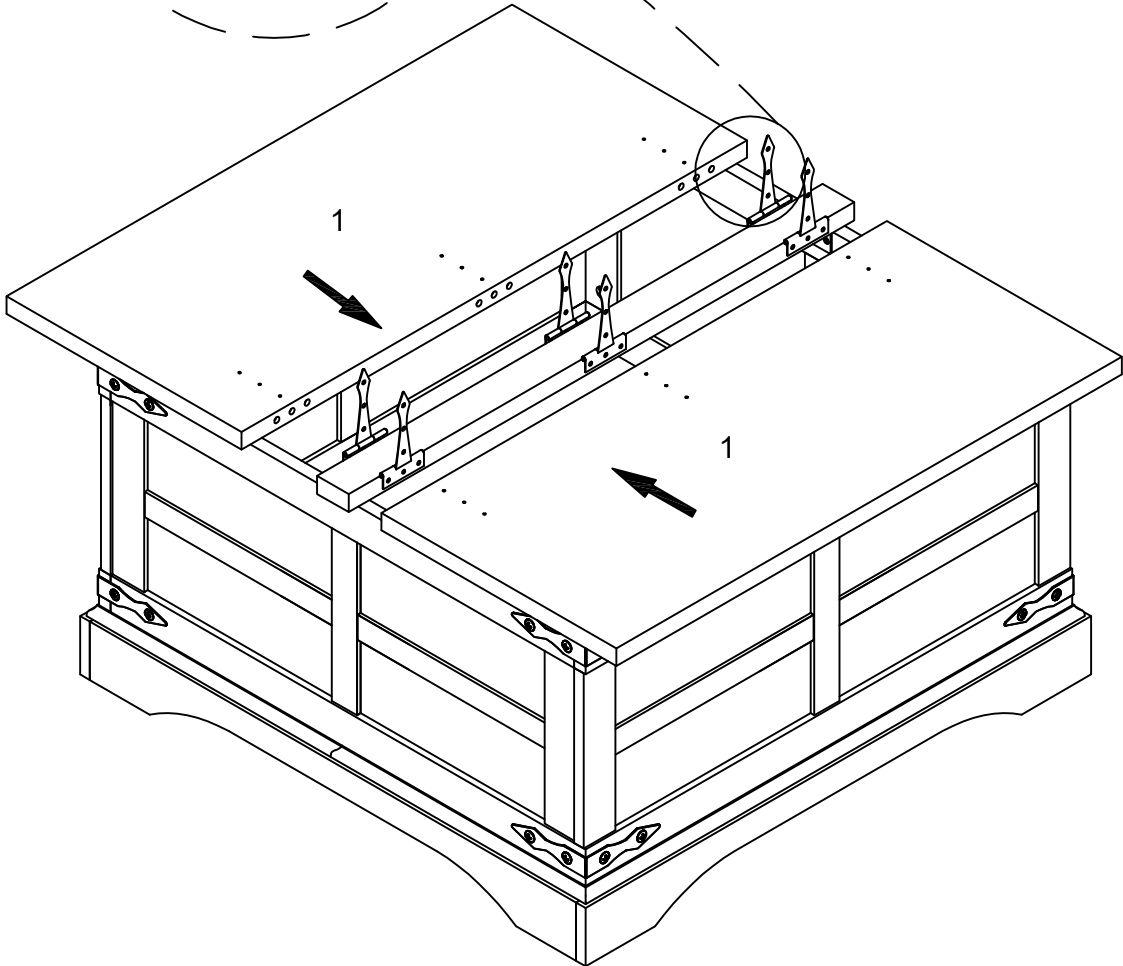
Pay attention to the direction of the hinge, Make sure the flat side of the hinges face outside the wood bar.



# Step 20

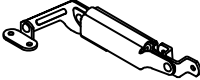
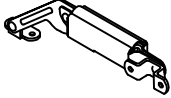
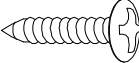


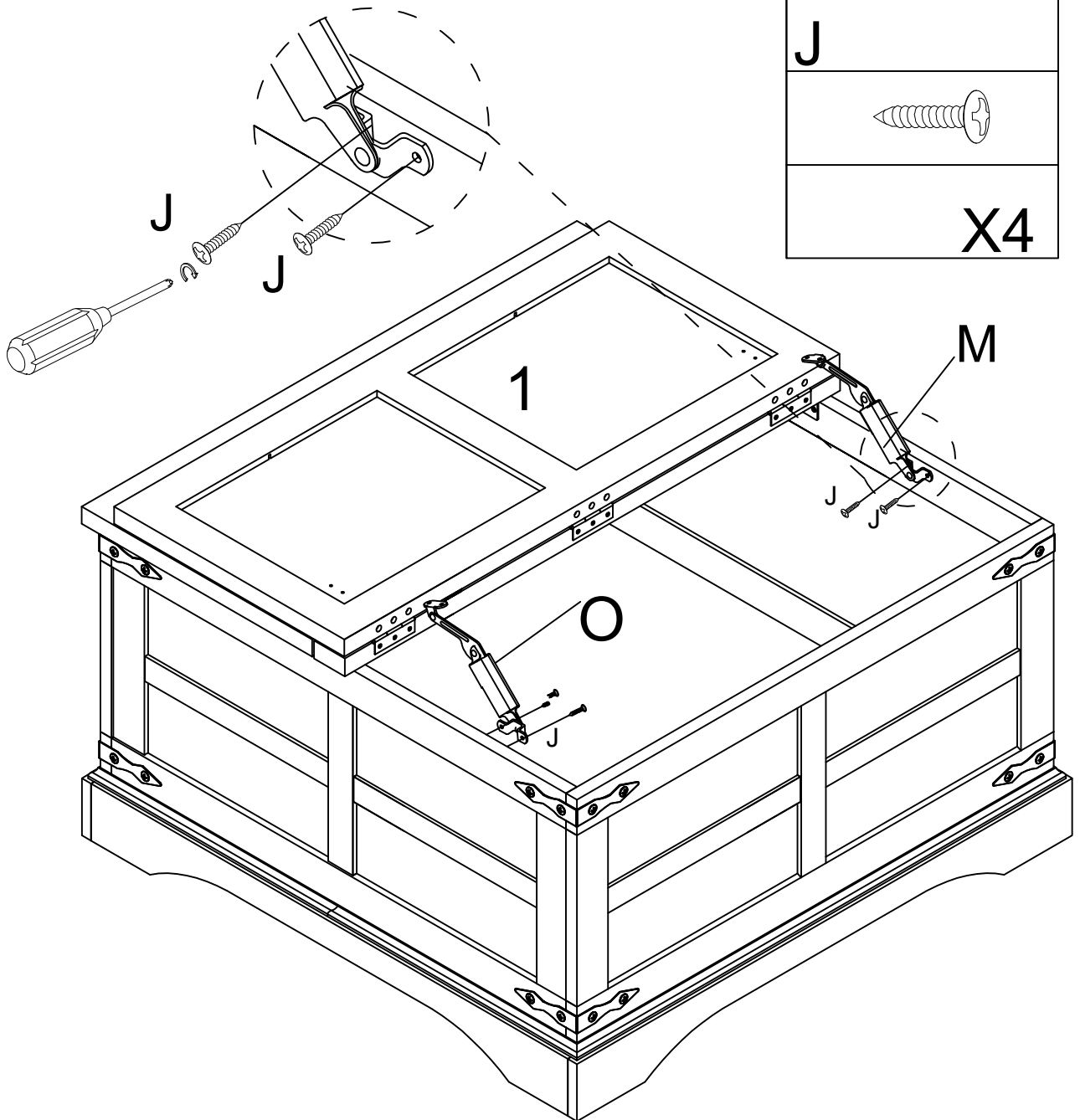
J

X18




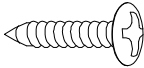
# Step 21

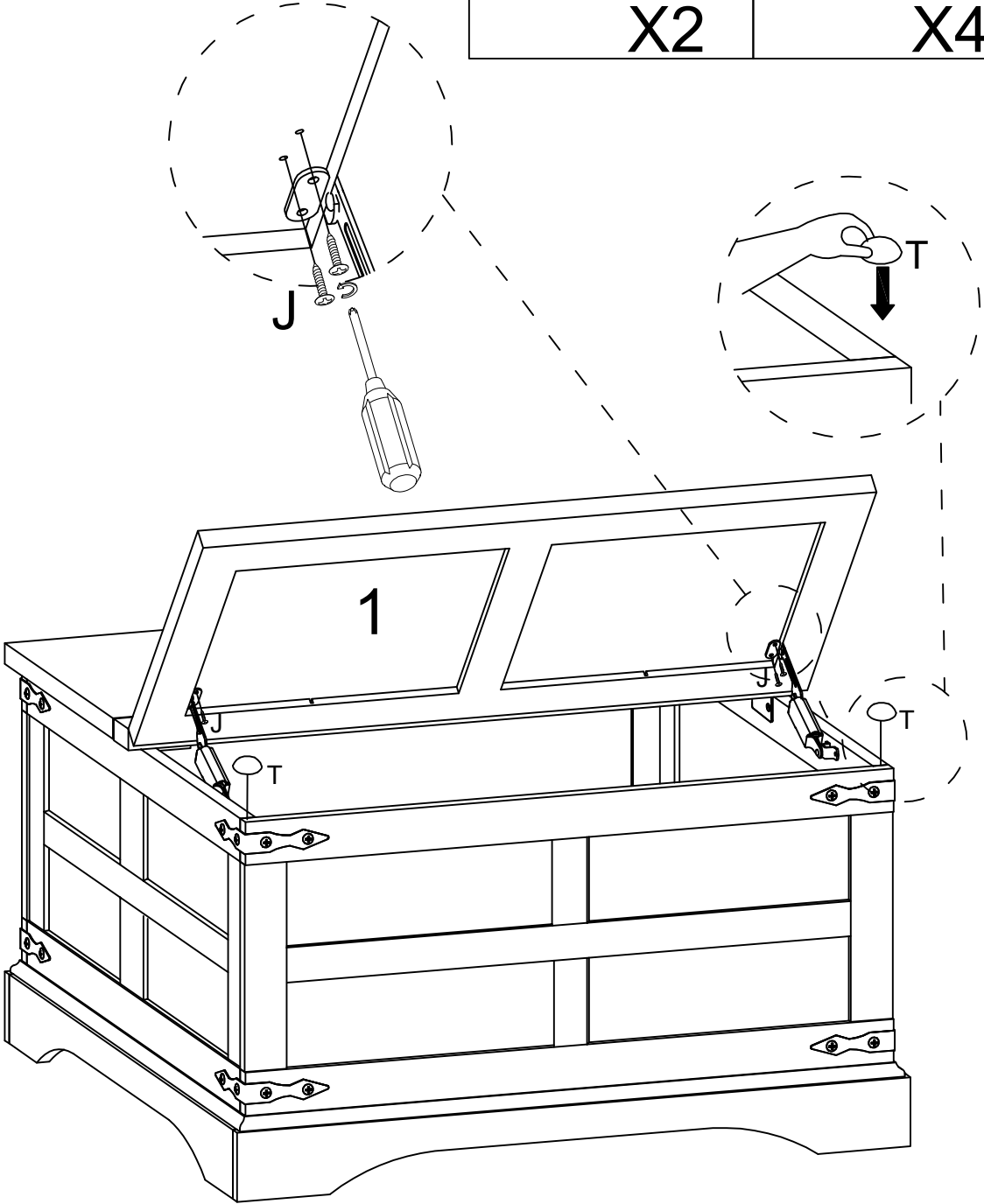
**▲ CAUTION**  
Protect the desktop during installation and use packaging materials to separate the desktops during installation.

M	O
	
X1	X1
	J
	
	X4

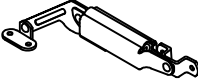
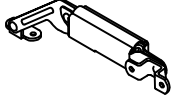
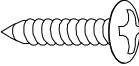


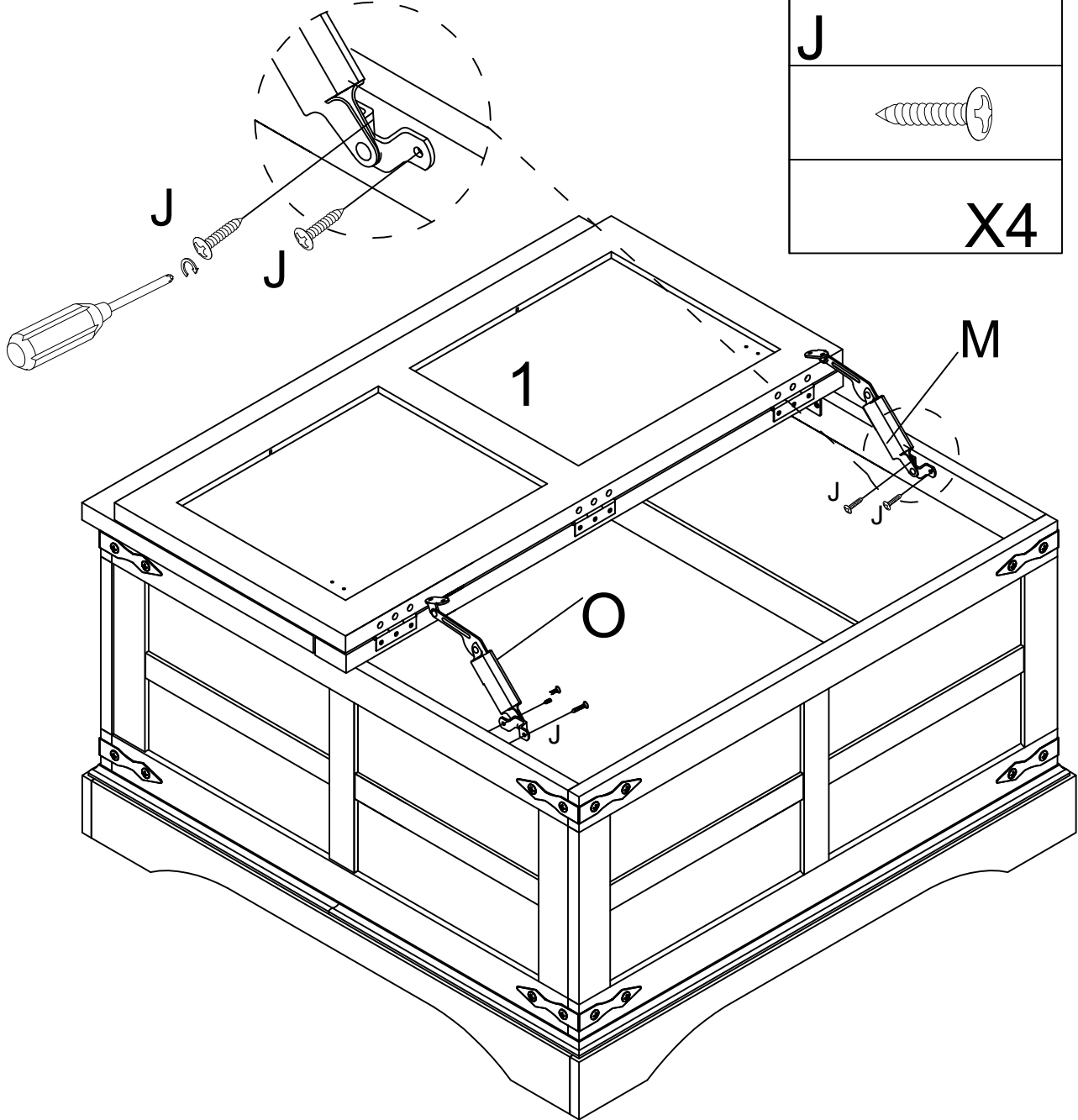
# Step 22

T	J
	
X2	X4


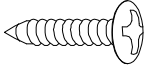


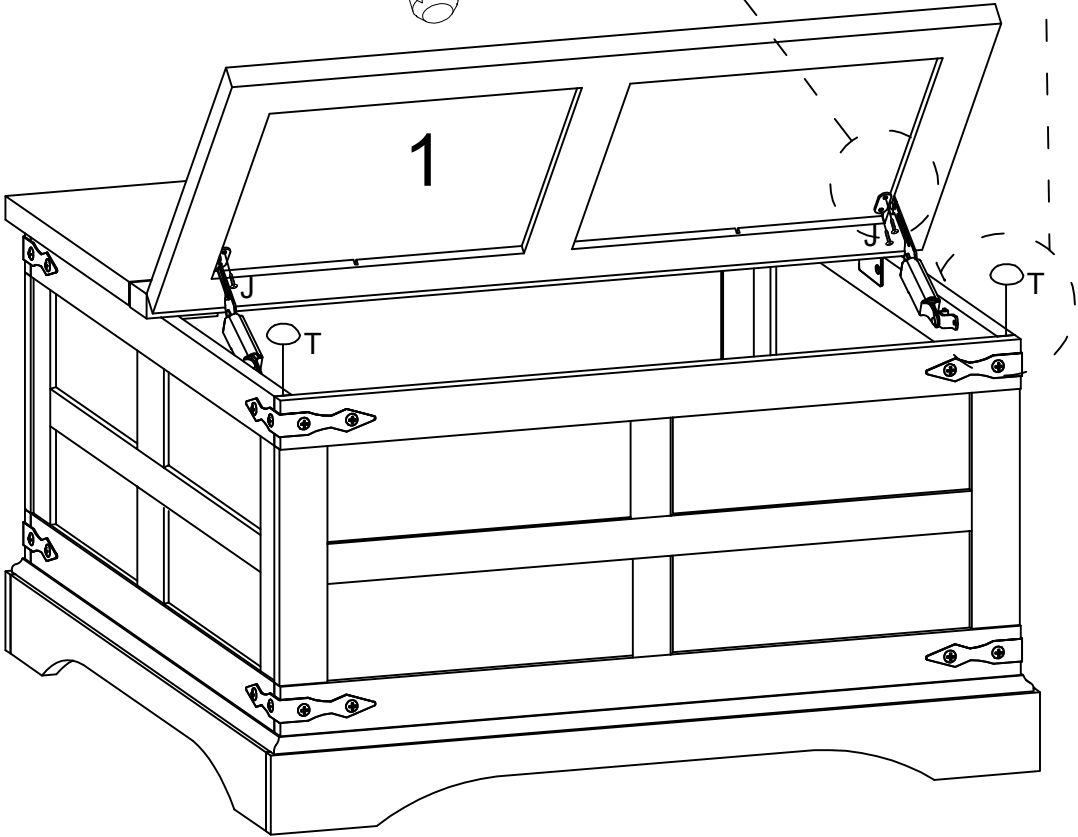
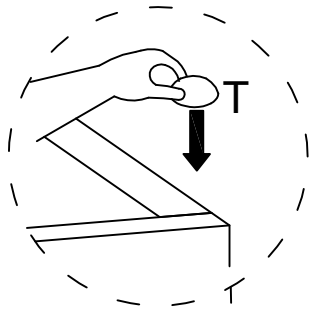
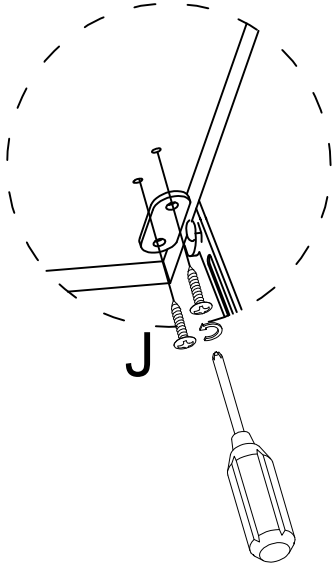
# Step 23

M	O
	
X1	X1
J	
	
X4	



# Step 24

T	J
	
X2	X4



Step 25

