

PuraVida
Freestanding Tub Filler Trim with 1.75 GPM Handshower
 Finishes : **chrome** Part no. : **15477001**



Description

Features

- spray type hand shower: IntenseRain, Full
- Flow: 5.15 GPM (19.5 L/Min)
- flow rate of hand shower at 3 bar: 1.75 GPM (6.6 L/Min)
- Joystick ceramic cartridge
- Integrated double backflow prevention

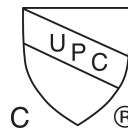
Item details

List Price \$ 3,365.00

Technology



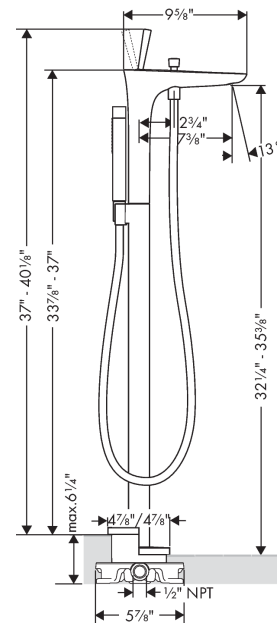
Compliance



Product image



Scale drawing

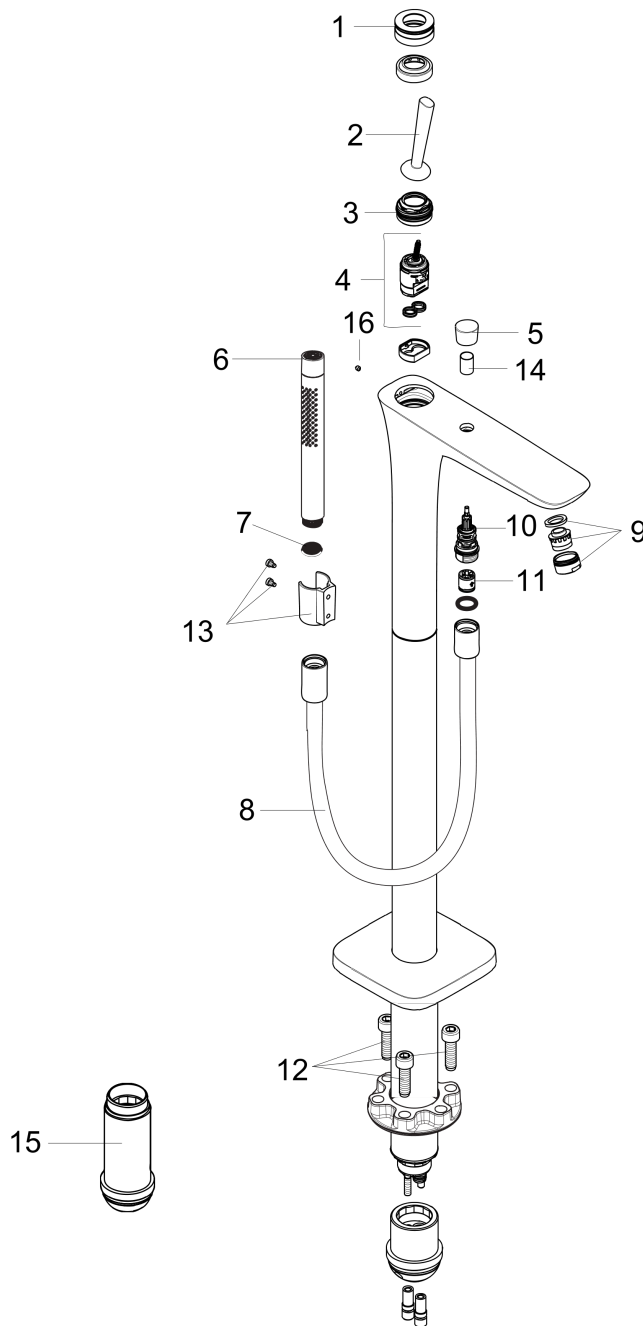


PuraVida
Freestanding Tub Filler Trim with 1.75 GPM Handshower
 Finishes : **chrome** Part no. : **15477001**



Exploded drawing

Year of production: >01/19



PuraVida
Freestanding Tub Filler Trim with 1.75 GPM Handshower
 Finishes : **chrome** Part no. : **15477001**



Spare parts list

Year of production: >01/19

Pos.	Description	Part no.	Price	PU
1	escutcheon Ø 37 mm	95288000	-	1
2	handle	95287000	-	1
3	escutcheon	95157000	-	1
4	cartridge, assy	96339000	-	1
5	diverter knob	95284000	-	1
6	handshower	04486000	-	1
7	filter packing	94246000	-	1
8	shower hose 1,25 m	28282000	-	1
9	aerator M24x1 (30 l/min)	96512000	-	1
10	selector	97978000	-	1
11	non return valve	97980000	-	1
12	hexagon socket screw M10x35	97670000	-	1
13	shower holder, assy	96295000	-	1
14	sleeve	97738000	-	1
15	extension set 60 mm	97686000	-	1
16	hollow set screw M4x6	97767000	-	1
a	service tool for disassembling the handle	92124000	-	1