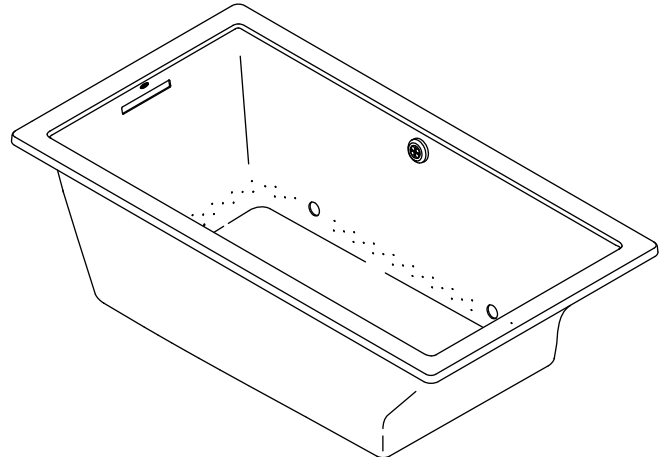


Features

- Acrylic
- Bask™ heated lumbar support with three temperature settings
- 122 BubbleMassage™ airjets
- Slotted overflow for maximum bathing depth
- Blower motor with 300 W heater and electronic user control
- Zones of Control™ concentrates massage at back, midsection, or feet
- Molded lumbar support for comfort
- Available with chromatherapy [-GCW]
- Drop-in installation or under-mountable
- Reversible drain
- 60" (1524 mm) x 32" (813 mm) x 21" (533 mm)

5' BUBBLEMASSAGE™ BATH WITH BASK™ K-1168-GW ALSO K-1168-GCW



Codes/Standards Applicable

Specified model meets or exceeds the following:

- CSA B45.5/IAPMO Z124
- UL 1795
- ASTM E162
- ASTM E662
- ASME A112.19.7/CSA B45.10

Colors/Finishes

- 0: White
- CP: Polished Chrome
- PB: Vibrant® Polished Brass
- NA: None applicable
- Other: Refer to Price Book for additional colors/finishes

Specified Model

Model	Description	Colors/Finishes	
K-1168-GW	5' BubbleMassage bath with Bask – without chromatherapy	<input type="checkbox"/> 0	<input type="checkbox"/> Other_____
K-1168-GCW	5' BubbleMassage bath with Bask – with chromatherapy (shown)	<input type="checkbox"/> 0	<input type="checkbox"/> Other_____

Required Accessories				
K-7271	Clearflo slotted overflow brass bath drain OR	<input type="checkbox"/> CP	<input type="checkbox"/> PB	<input type="checkbox"/> Other_____
K-7272	Clearflo slotted overflow bath drain – PVC pipe	<input type="checkbox"/> CP	<input type="checkbox"/> PB	<input type="checkbox"/> Other_____
Optional Accessories				
K-590	Under-mount kit			NA
K-1491	Pillow	<input type="checkbox"/> 0		<input type="checkbox"/> Other_____
K-1601	Footstop (cont.)	<input type="checkbox"/> 0		<input type="checkbox"/> Other_____

Product Specification

The acrylic BubbleMassage bath shall be 60" (1524 mm) in length, 32" (813 mm) in width, and 21" (533 mm) in height. Bath shall have a blower motor with 300 W heater and electronic user control, and 122 BubbleMassage airjets. Bath shall feature Bask heated lumbar support with three temperature settings. Bath shall feature Zones of Control, which concentrates massage at back, midsection, or feet. Bath shall have reversible drain. Bath shall have slotted overflow for maximum bathing depth. Bath shall have molded lumbar support for comfort. Bath shall be for drop-in installation or under-mountable. Bath shall be available with chromatherapy [-GCW]. Bath shall be Kohler Model K-1168-_____-_____.

UNDERScore®

(cont.) Optional Accessories

K-1705	Remote control			NA
K-9498	3" (76 mm) whirlpool keypad trim	<input type="checkbox"/> CP	<input type="checkbox"/> PB	<input type="checkbox"/> Other_____
K-1013469	Trim ring, interface, core	<input type="checkbox"/> CP	<input type="checkbox"/> PB	<input type="checkbox"/> Other_____

Technical Information

Fixture*:	
Bathing well:	
Basin area, bottom	42" (1067 mm) x 23-1/2" (597 mm)
Basin area, top	55-1/8" (1400 mm) x 27-1/8" (689 mm)
Weight	106 lbs (48.1 kg)
To overflow:	
Water depth	17-1/8" (435 mm)
Capacity	81 gal (306.6 L)
* Approximate measurements for comparison only.	

	V	Hz	A
Blower motor/Heated surface	220-240	50/60	5

Drop-in cutout 59-1/2" (1511 mm) x 31-1/2" (800 mm)

Required Electrical Service

Dedicated circuit required, protected with Class A Ground-Fault Circuit-Interrupter (GFCI) or Residual Current Device (RCD):

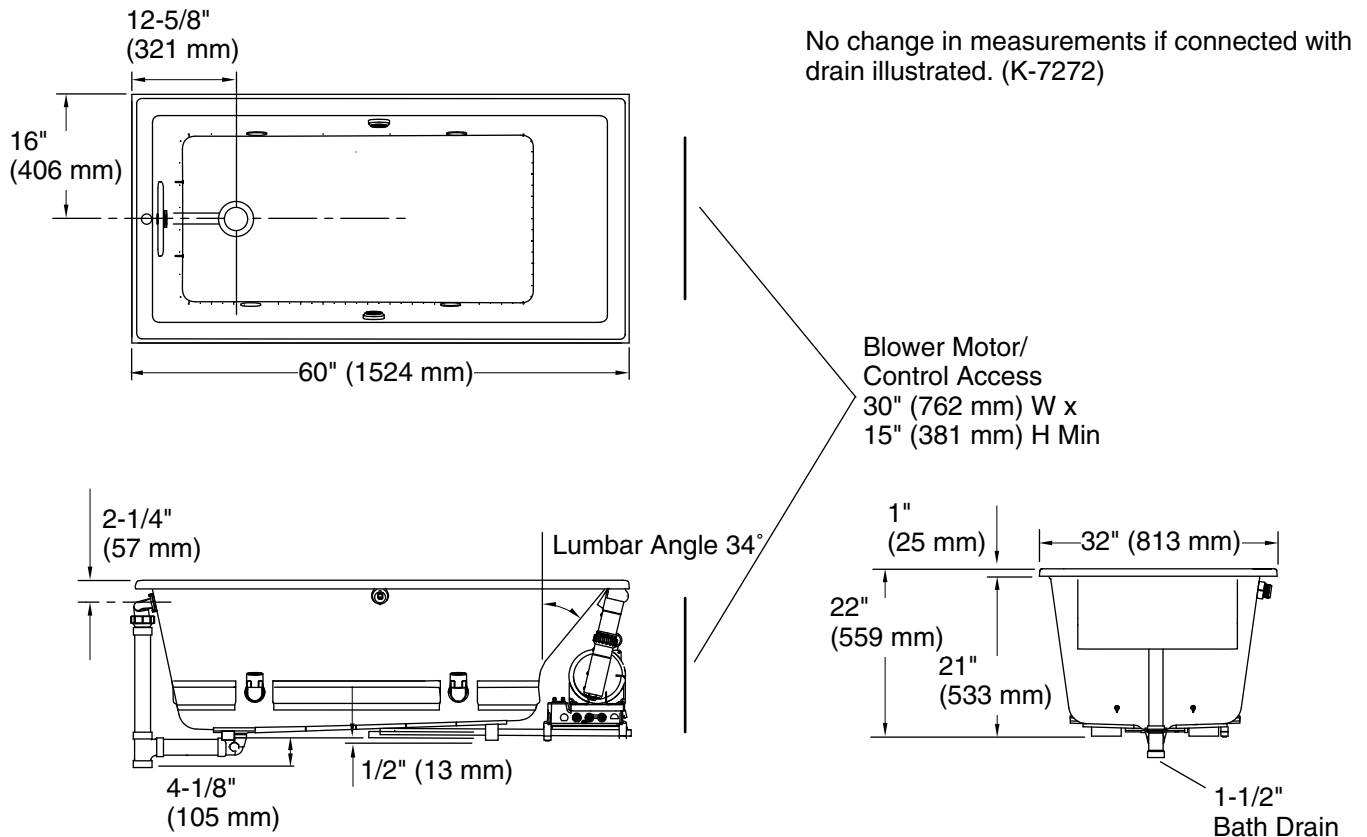
Blower motor/Heated surface 220-240 V, 15 A, 50/60 Hz

Installation Notes

Install this product according to the installation guide.

Floor support under bath must provide for a minimum of 55 lbs/square foot (268 kg/square meter) loading.

Hot water supply should be 70% of capacity or greater. Installations will vary.



Product Diagram