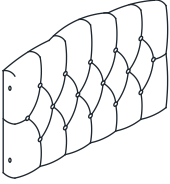
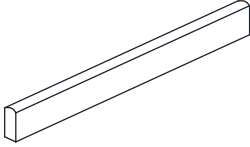

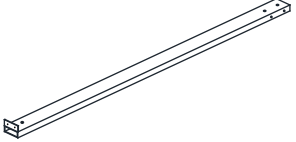
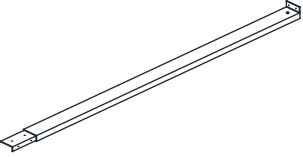
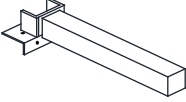
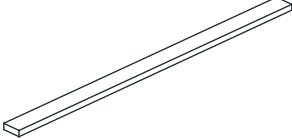
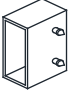
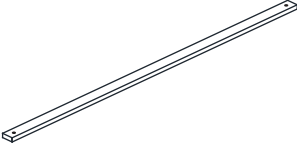
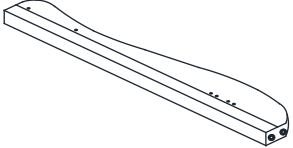
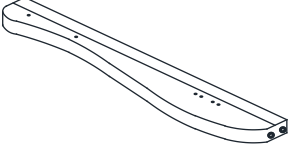
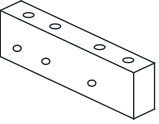
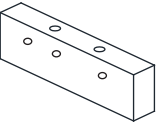




ASSEMBLY INSTRUCTION

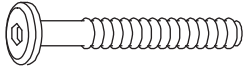

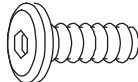
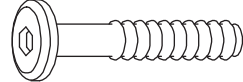
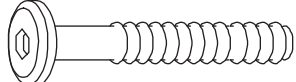






PARTLIST

<p>1</p>  <p>HEADBOARD CUSHION x1</p>	<p>2</p>  <p>FOOTBOARD CUSHION x1</p>	<p>3</p>  <p>FOOTBOARD LEG x2</p>	<p>5</p>  <p>SIDE RAIL x2</p>
<p>6</p>  <p>SIDE RAIL x2</p>	<p>7</p>  <p>SIDE RAIL LEG x2</p>	<p>8</p>  <p>SLAT x12</p>	<p>9</p>  <p>SOCKET x24</p>
<p>10</p>  <p>SUPPORT RAIL x2</p>	<p>11</p>  <p>WING (R) x1</p>	<p>12</p>  <p>WING (L) x1</p>	<p>13</p>  <p>WING SUPPORT (R) x1</p>
<p>14</p>  <p>WING SUPPORT (L) x1</p>	<p>15</p>  <p>SIDE RAIL COVER x2</p>	<p>24</p>  <p>VELCRO TAPE x2</p>	

*All parts needed are shown in above picture.
Numbers only indicate the specific parts for easy assembly.

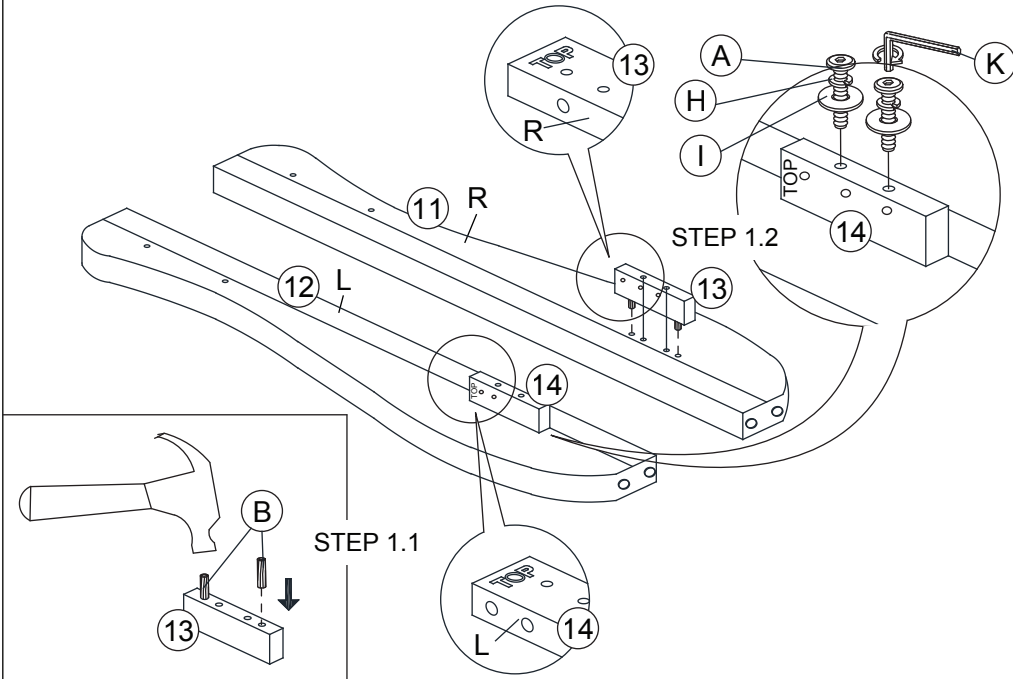
ASSEMBLY INSTRUCTION

HARDWARE

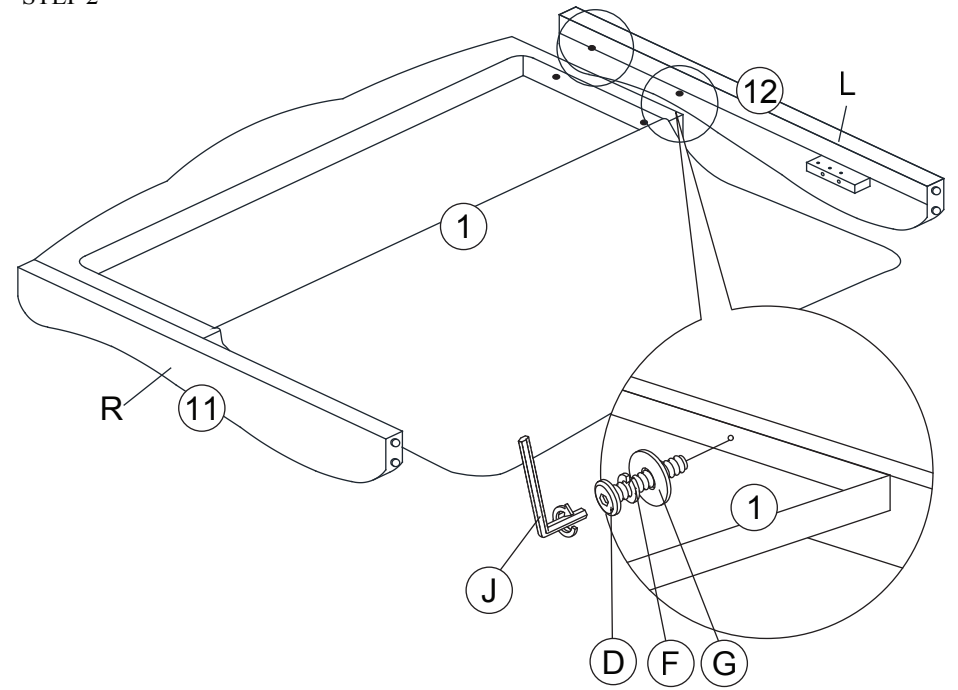
<p>A</p>  <p>JCBB SCREW M8 x 70MM</p> <p>x4</p>	<p>B</p>  <p>WOOD DOWEL M10 x 30MM</p> <p>x4</p>	<p>C</p>  <p>JCBC SCREW M6 x 15MM</p> <p>x22</p>	<p>D</p>  <p>JCBC SCREW M6 x 35MM</p> <p>x8</p>	<p>E</p>  <p>JCBC SCREW M6 x 50MM</p> <p>x2</p>
<p>F</p>  <p>SPRING WASHER M6 x 12MM</p> <p>x10</p>	<p>G</p>  <p>FLAT WASHER M6 x 19MM</p> <p>x10</p>	<p>H</p>  <p>SPRING WASHER M8 x 13MM</p> <p>x4</p>	<p>I</p>  <p>FLAT WASHER M8 x 22MM</p> <p>x4</p>	<p>J</p>  <p>L - KEY M4 x 100MM</p> <p>x1</p>
<p>K</p>  <p>L - KEY M5 x 65MM</p> <p>x1</p>				

ASSEMBLY INSTRUCTION

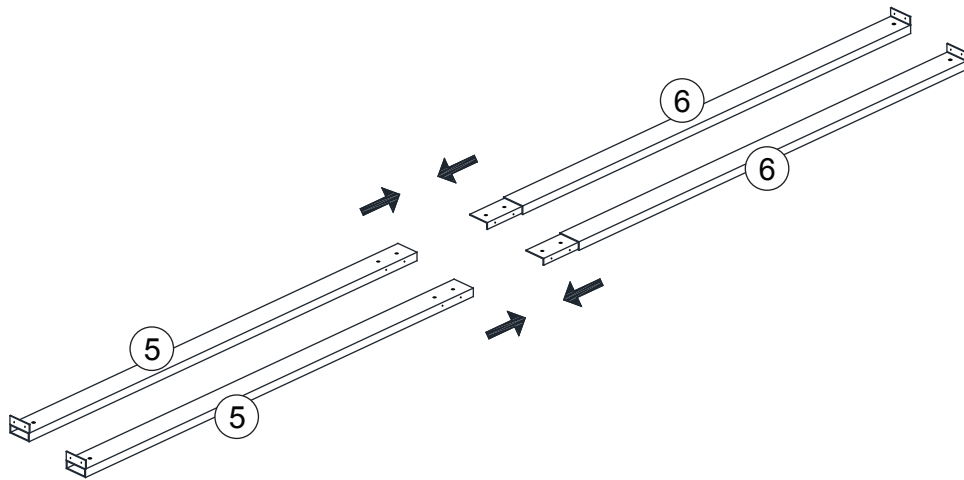
STEP 1



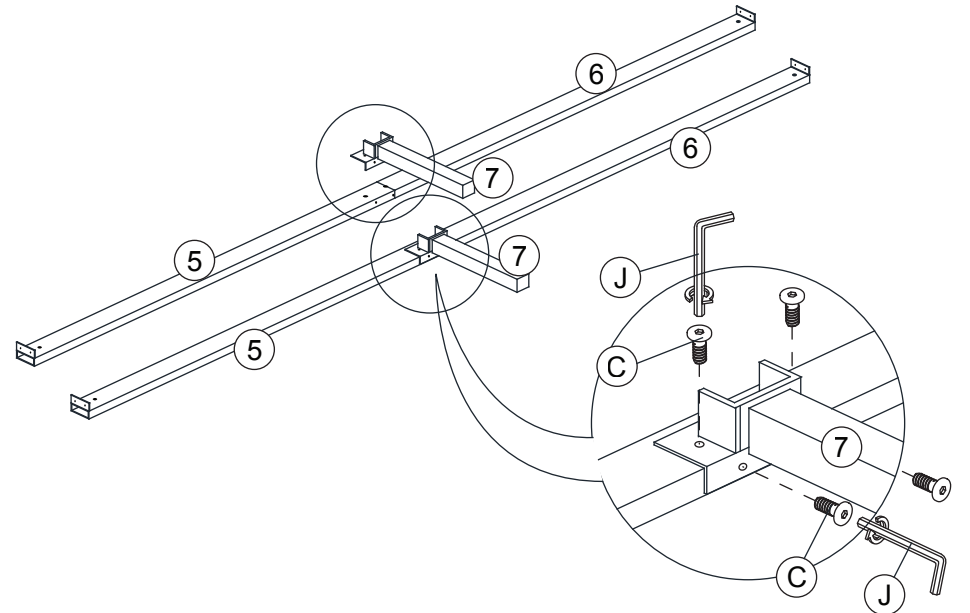
STEP 2



STEP 3

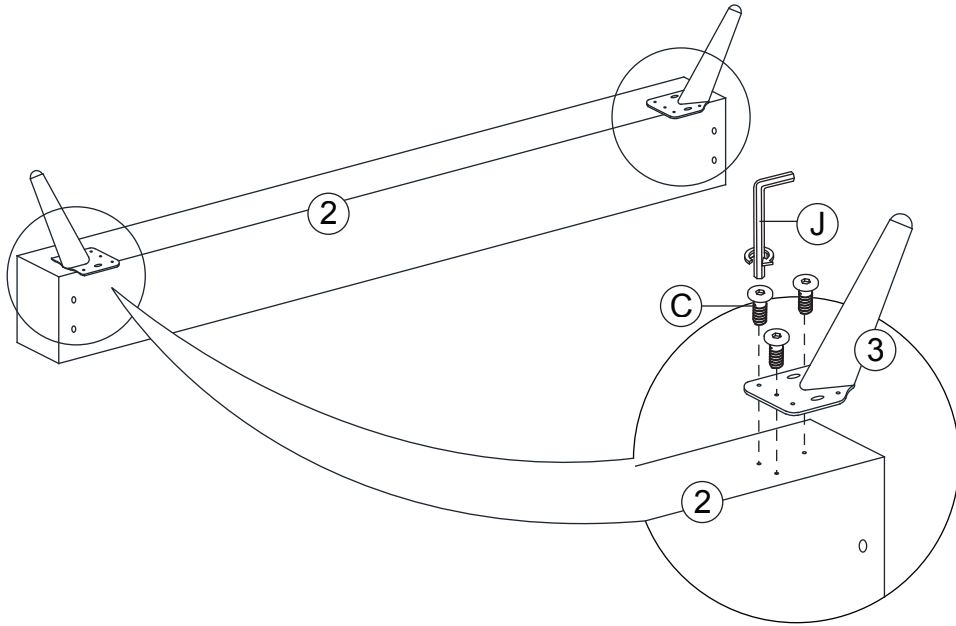


STEP 4

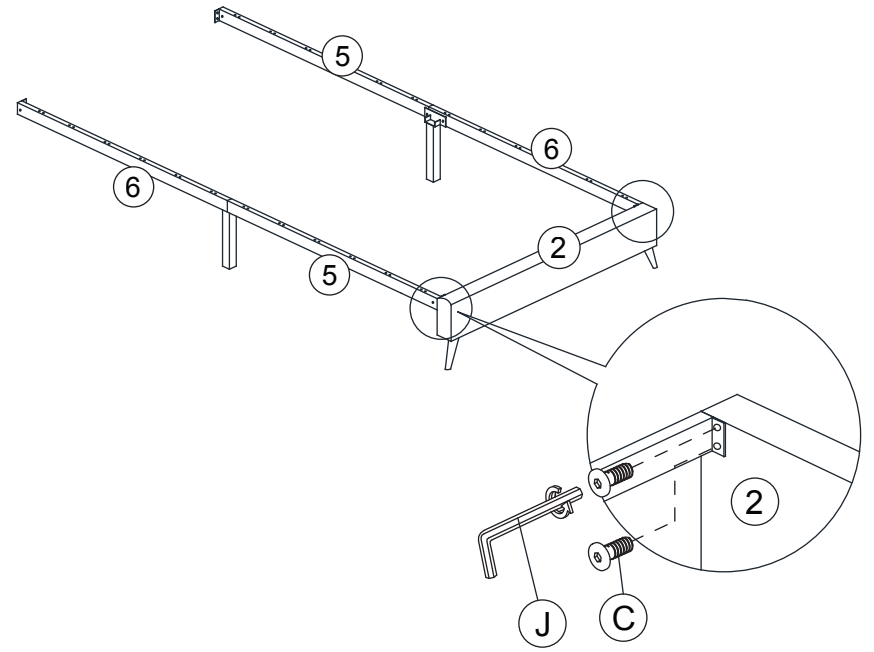


ASSEMBLY INSTRUCTION

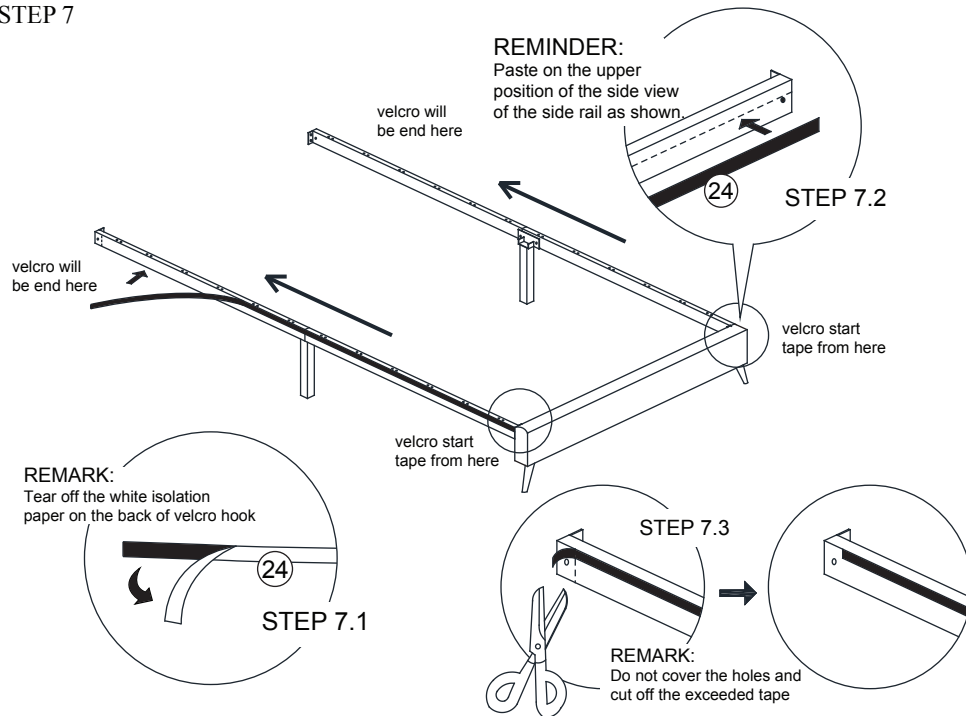
STEP 5



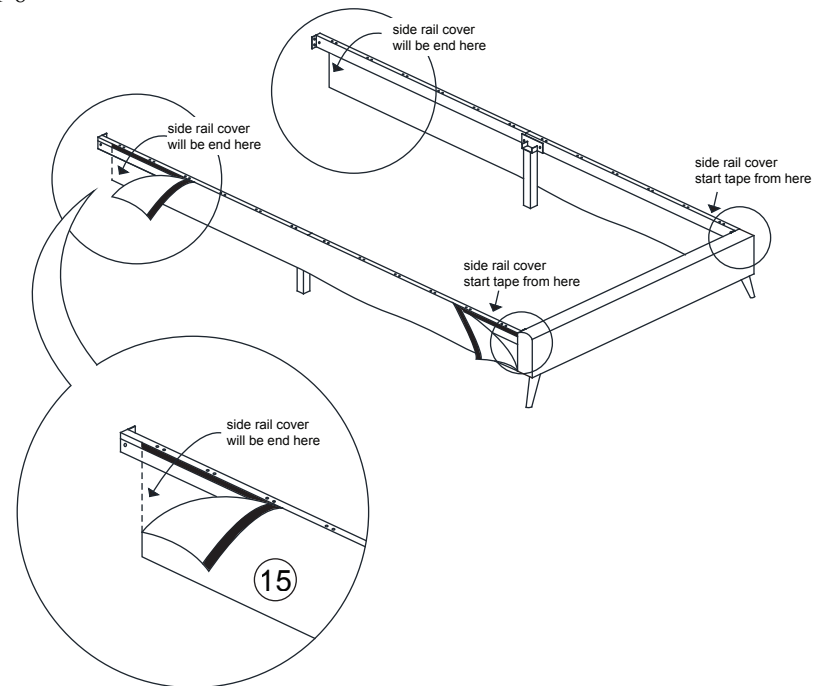
STEP 6



STEP 7

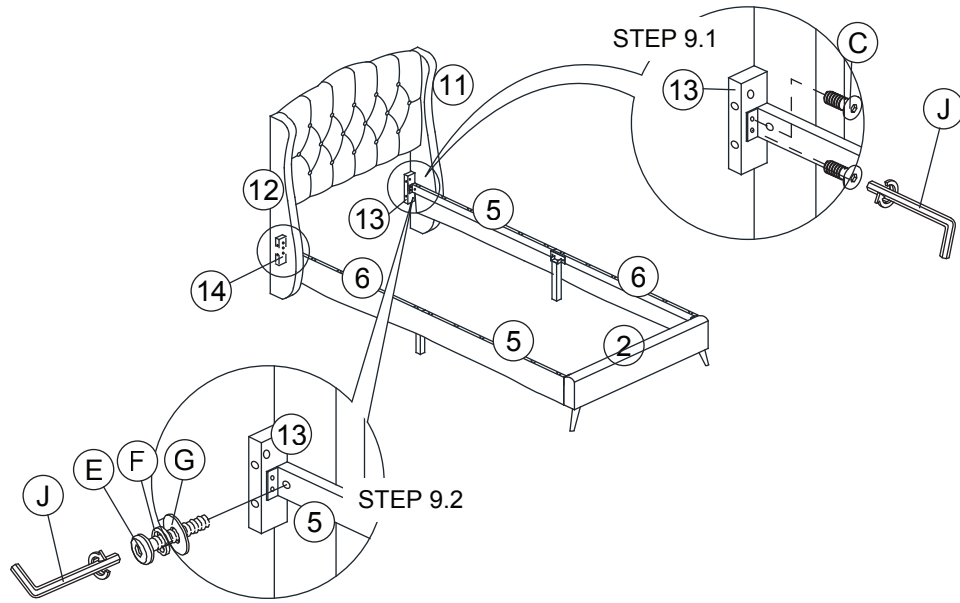


STEP 8

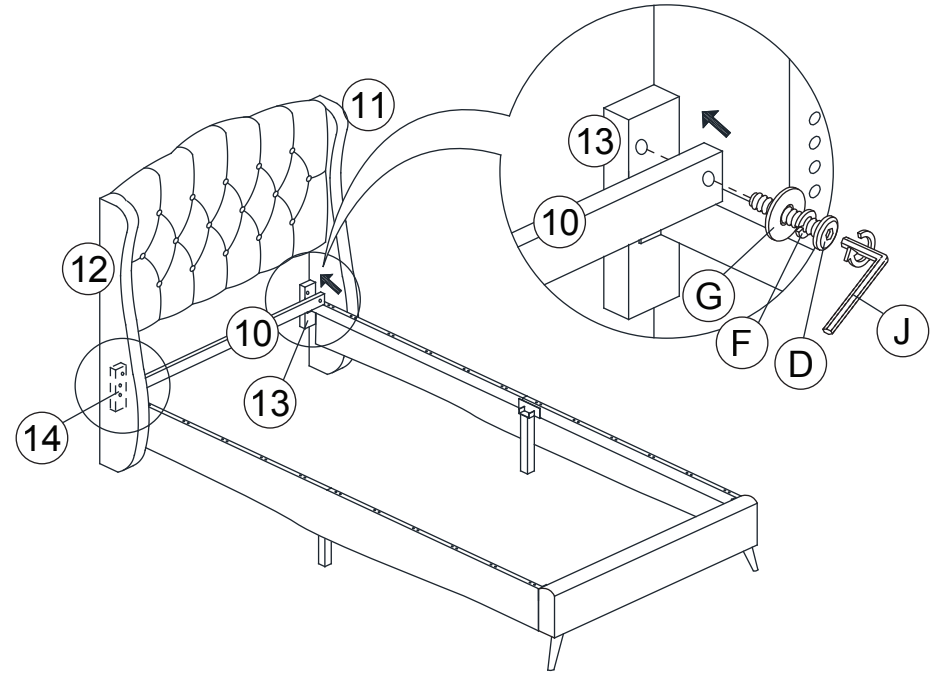


ASSEMBLY INSTRUCTION

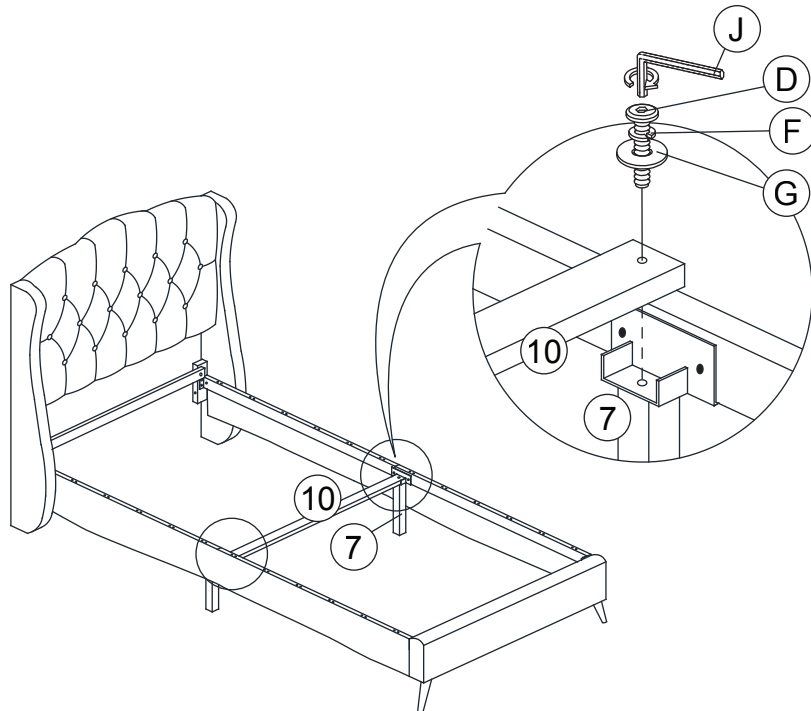
STEP 9



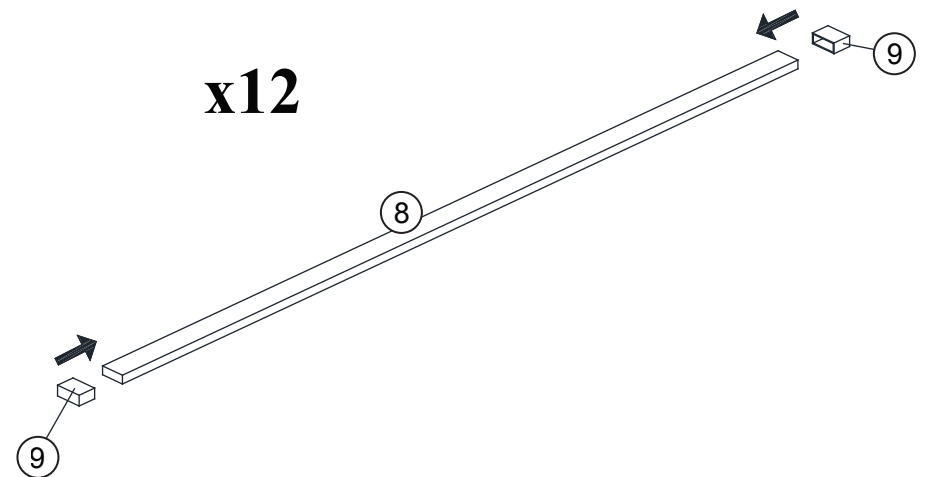
STEP 10



STEP 11

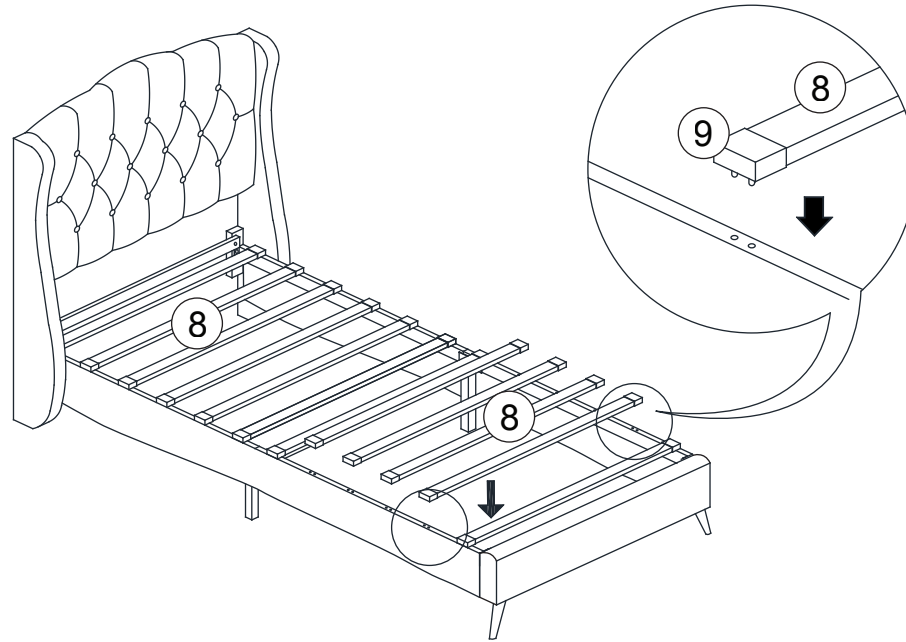


STEP 12

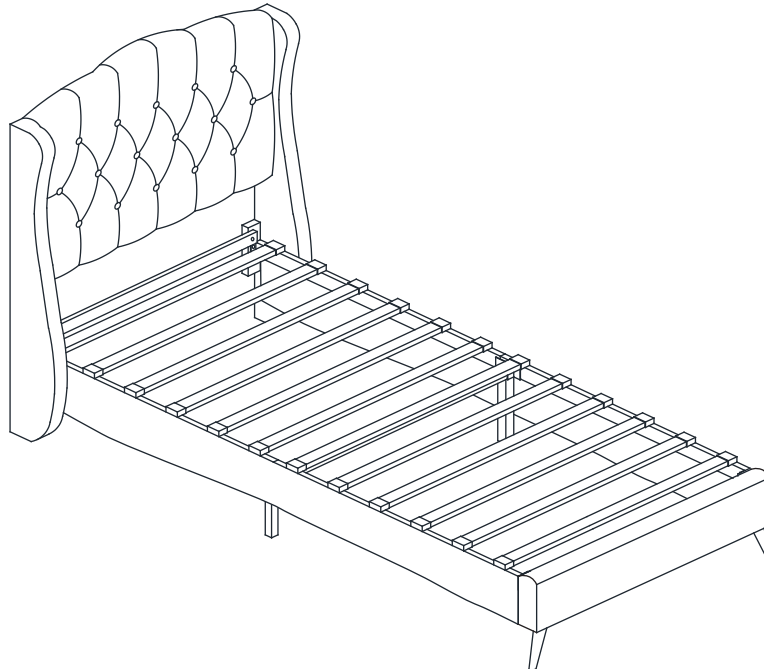


ASSEMBLY INSTRUCTION

STEP 13



STEP 14



ASSEMBLY
COMPLETED