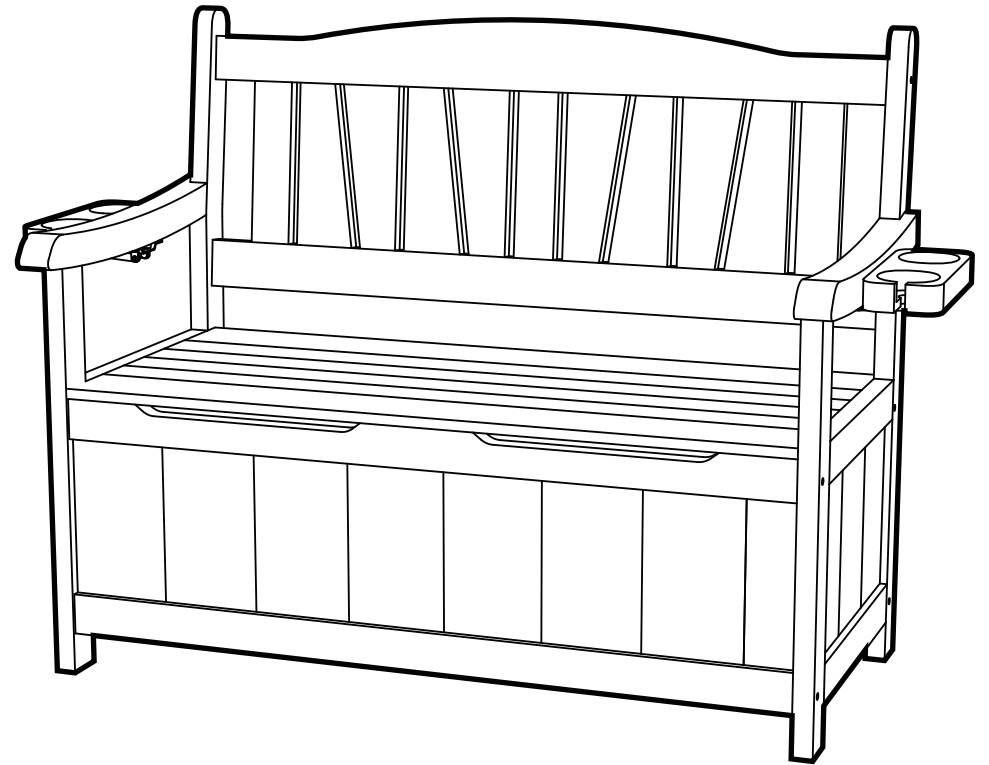


YEFU

Outdoor Storage Bench



! NOTE:

- Please read the instructions below for reference

- Please do not exceed the weight limit for this item!!!
- Use only under adult supervision.
- Do not stand on or use any part of the item as a stepping ladder.
- Firmly secure all bolts screws and knobs before use.
- Re-confirm all bolts, screws and knobs are secure every 30 days.
- Do not store this item near open flames or flammable chemicals.
- If any parts is missing, damaged, or worn, stop using the product and instruct for repair or factory replacement parts.
- Do not use this item in a way inconsistent with the manufacturer's instructions, as this will void the product warranty.
- Please keep this item away from bug repellent, weed spray, sunscreen, lipstick or any other chemicals. This item's material will react with these chemicals, which will make it discolored.
- If this item has scratches during using it, because the surface color is integral to the inside, you can use sanding sponge to polish it, it will be the same as new again.



Product Warranty Information.

All items can be returned for any reason within 30 days of receipt and will receive a full refund as long as the altered item is returned in its original product packaging and includes all accessories from its original shipment. Once the product has been received by YEFU the refund will be processed within 3 business days.

All returns must be shipped back to the YEFU warehouse or Amazon warehouse at customer expense. If the reason for return is a result of an error by YEFU warehouse or Amazon warehouse, it will prepare a pre-paid shipping label.

Some returns may require pictures to ensure items are not damaged prior to return. Returned items are not considered undamaged until they have been received and verified by YEFU. All items damaged are the responsibility of the customer until the product is received by YEFU and verified to be in good condition.

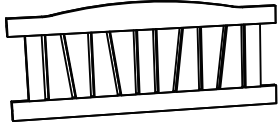
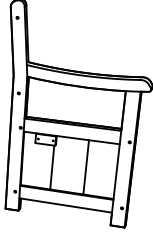
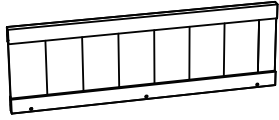
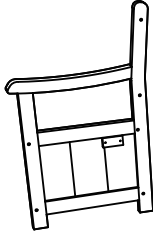
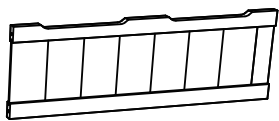


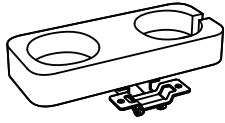
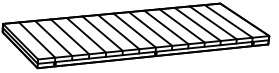
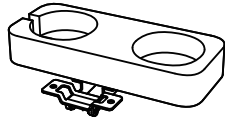
All products have a 2-year warranty, during which we will provide free spare parts if any parts are damaged (but you need to bear reasonable shipping costs)

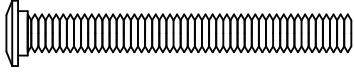
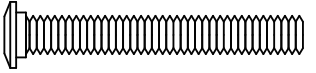
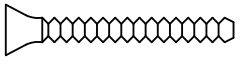
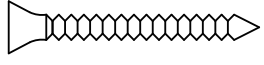
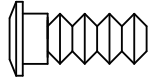
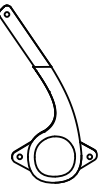

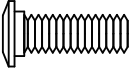
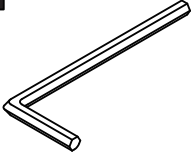
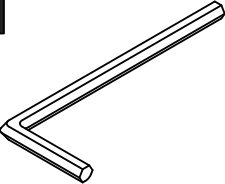
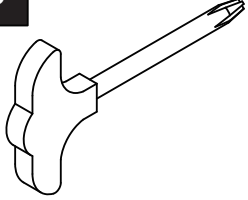
! WARNING

In no event shall any liability be assumed for direct, indirect or incidental personal injury, property damage or loss resulting from incorrect accessories, misuse, inadequate maintenance, unapproved modifications or negligence on this product.

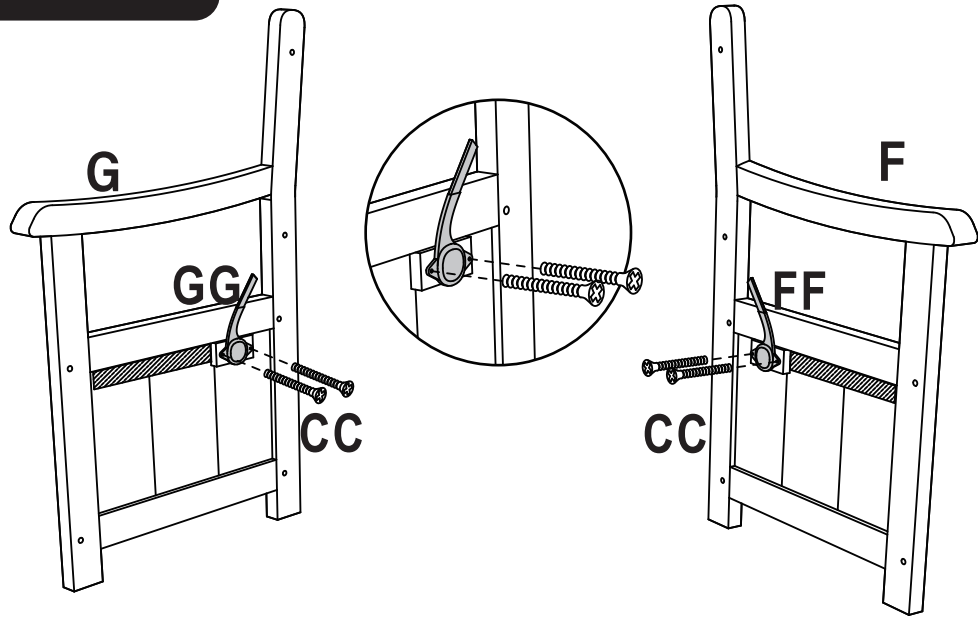


**In order to avoid the bench shaking
make sure that the screws are tightened
fully after all steps**

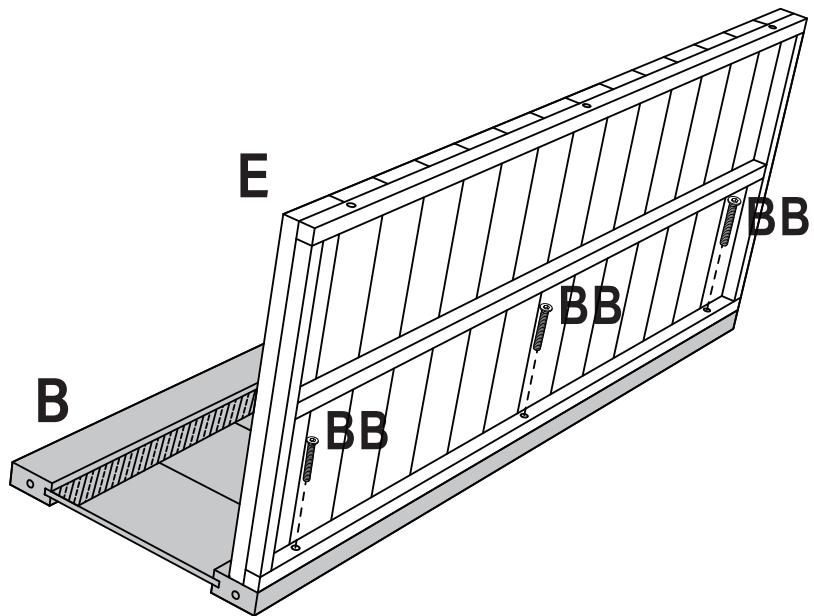
A		1PC	F		1PC
B		1PC	G		1PC
C		1PC	H		1PC
D		1PC	I₁		1PC
E		1PC	I₂		1PC

AA	12 PCS	BB	6 PCS		
 M6*60		 M6*40			
CC	4 PCS	DD	6 PCS		
 M4*17		 M4*25			
EE	2 PCS	FF	1 PCS		
 M4*10					
GG	1 PCS	KK	4 PCS		
		 M6*15			
HH	 M5	II	 M4	JJ	

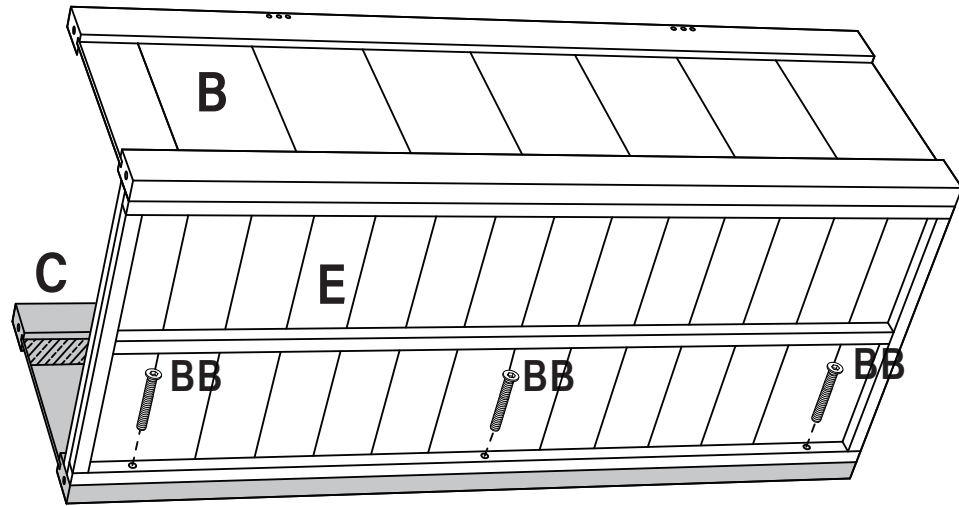
STEP 1



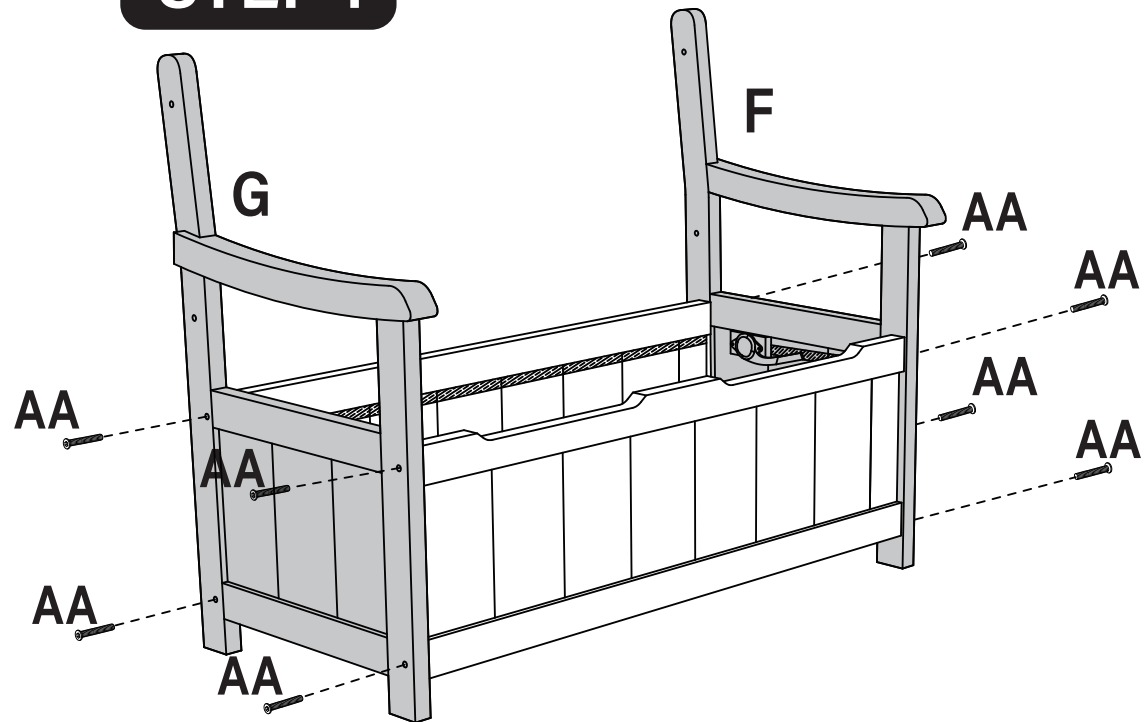
STEP 2



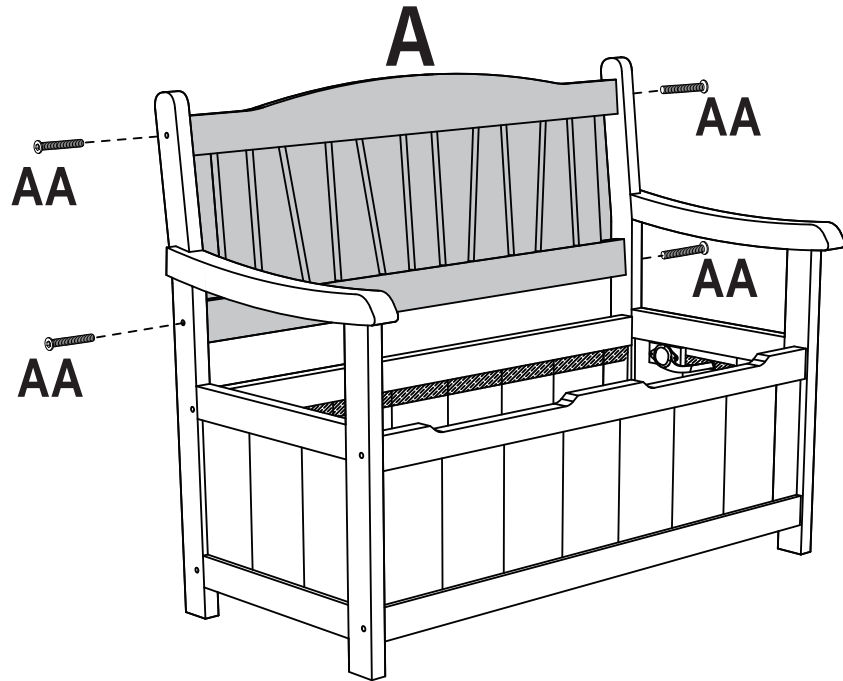
STEP 3



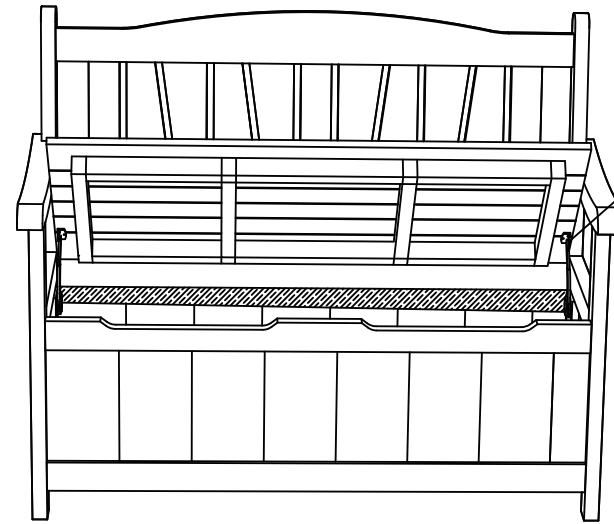
STEP 4



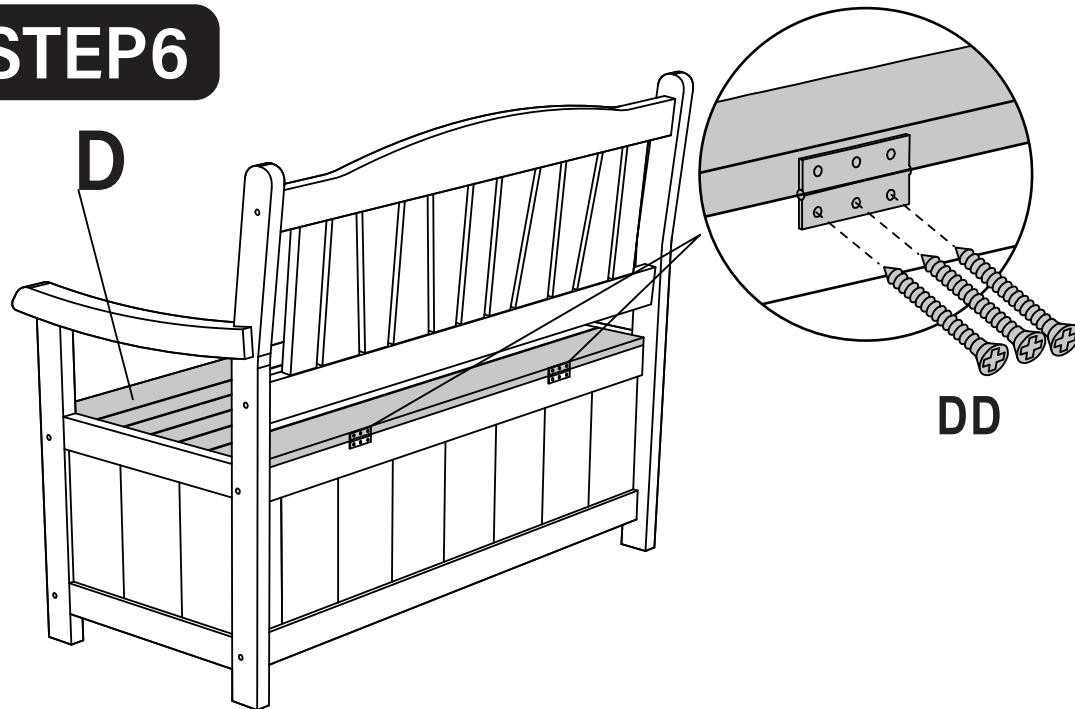
STEP 5



STEP 7

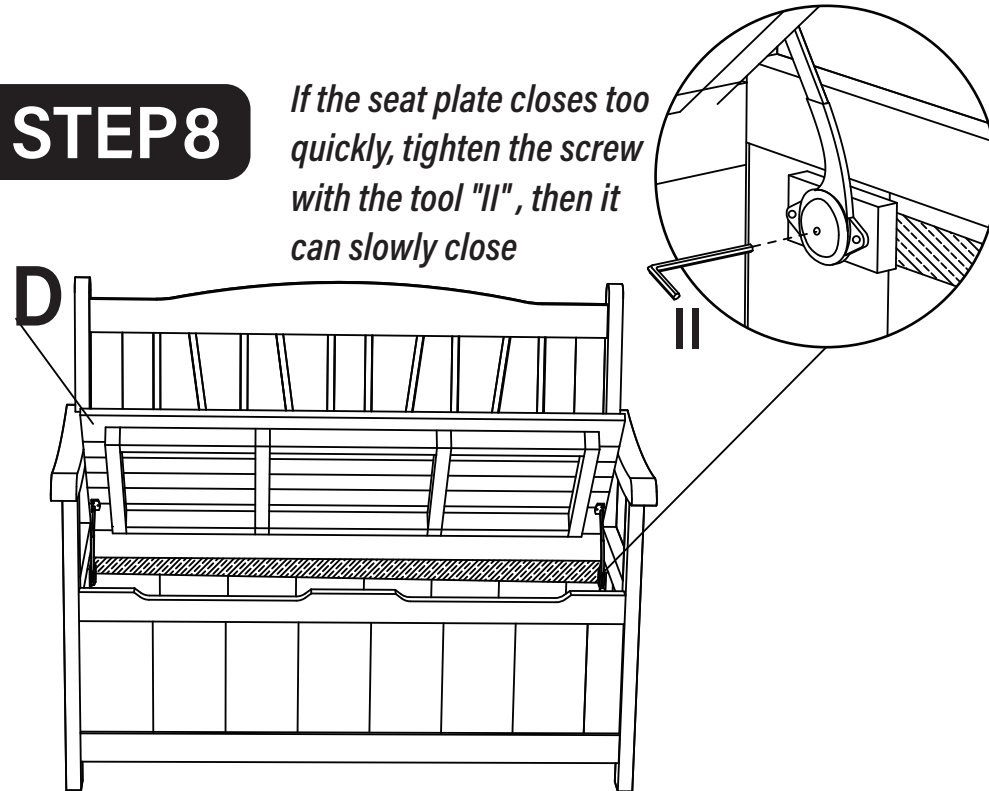


STEP 6



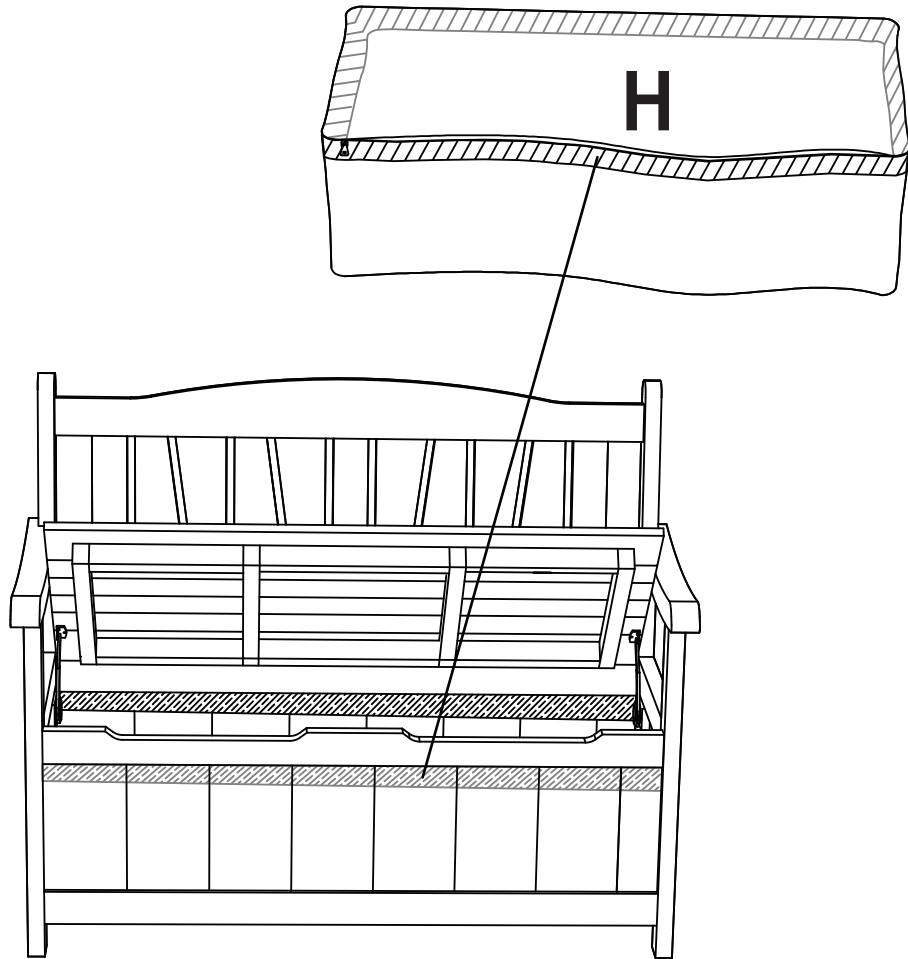
STEP 8

If the seat plate closes too quickly, tighten the screw with the tool "II", then it can slowly close



STEP 8

Put the storage bag into the bench and stick the velcro around the inside of the chair.



STEP 9

