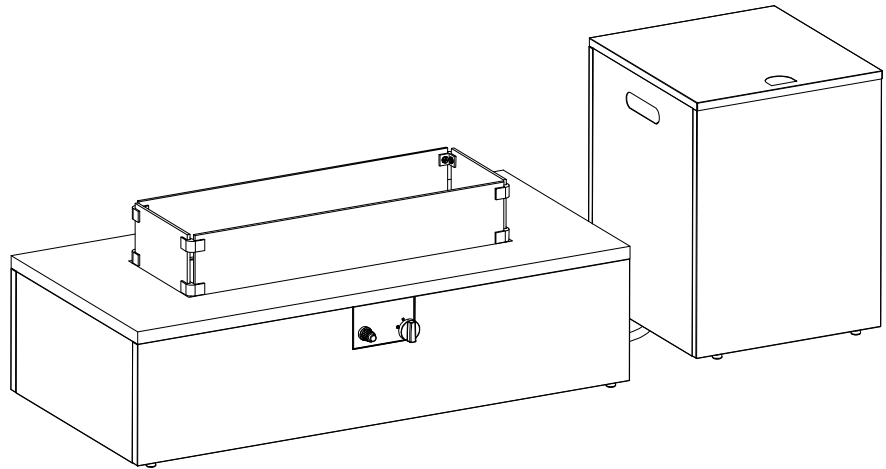


# Assembly Instructions

## OUTDOOR GAS FIRE PIT



Please keep this instruction manual for future reference



**Warning:**

**READ INSTRUCTION MANUAL BEFORE ATTEMPTING TO ASSEMBLE OR OPERATE THIS PRODUCT.**

**Keep the screws and parts out of reach of children.**

(Made in China)

# TABLE OF CONTENTS

- Table of Contents.....2
- Warning and Cautions.....3-5
- Tools and Parts.....6-13
- Lighting Operation..... 14-15
- Maintenance and Storage..... 16-17
- Trouble Shooting.....18

## REMINDER

### BEFORE ASSEMBLY

Verify that all parts are included with your gas fire pit BEFORE you begin assembly by checking the Parts and Hardware List. For your convenience, some parts may be pre-assembled or attached to heater components.

Leave hardware installed HALF-TIGHTENED on the gas fire pit during assembly until unit is completely assembled, then finish tightening all hardware installed.

### YOUR OWNER'S MANUAL

Keep and store this Owner's Manual for future reference-It contains important instruction and procedures for safety and maintenance.

# WARNINGS AND CAUTIONS

Read the instructions before use. This appliance must be installed in accordance with enforced regulations and the following instructions.

## CAUTION

**Installer:** Leave the manual with the user for future use.  
**Consumer:** Please keep this manual for future reference.

## DANGER

### IF YOU SMELL GAS:

- Shut off gas to the appliance.
- Extinguish any open flame.
- If odor continues, keep away from the appliance and immediately call your gas supplier or fire department.

## DANGER

### CARBON MONOXIDE HAZARD

This appliance can produce carbon monoxide, which has no odor. Using it in an enclosed space can cause injury or death. Never use this appliance in an enclosed space such as a camper, tent or building.



## WARNING

Never leave fire pit unattended when hot or in use.  
Keep out of reach of children.

## WARNING

Do not try to light this appliance without reading the “LIGHTING” instructions section of this manual.


Do not store or use gasoline or other flammable liquids or vapors in the vicinity of this or any other appliance. An LP cylinder not connected for use must not be stored in the vicinity of this or any other appliance. If the information in this manual is not followed exactly, a fire or explosion may result, causing property damage, personal injury or death.

## WARNING

Improper installation, adjustment, alteration, service or maintenance can cause property damage, injury or death. Read the installation, operation and maintenance instructions thoroughly before installing or servicing this gas appliance.

## WARNING

**FOR OUTDOOR USE ONLY!**

 **WARNING: FUELS USED IN LIQUEFIED PROPANE GAS APPLIANCES, AND THE PRODUCTS OF COMBUSTION OF SUCH FUELS, CAN EXPOSE YOU TO CHEMICALS INCLUDING BENZENE, WHICH IS KNOWN TO THE STATE OF CALIFORNIA TO CAUSE CANCER AND CAUSE BIRTH DEFECTS OR OTHER REPRODUCTIVE HARM. For more information go to: [www.P65Warnings.ca.gov](http://www.P65Warnings.ca.gov).**

You must provide propane gas and propane cylinder. Use a standard 20 lb. propane cylinder only.

Use this appliance only with a propane vapor withdrawal supply system. See Chapter 5 of the Standard for Storage and Handling of Liquefied Petroleum Gas, ANSI/NFPA 58. Your local library or fire department should have this book.

The pressure regulator and hose assembly supplied with the appliance must be used.

The installation must conform with local codes, or in absence of local codes, with National Fuel Gas Code, ANSI Z223.1.

A dented, rusted or damaged propane cylinder may be hazardous and should be checked by your cylinder supplier. Never use a propane cylinder with a damaged valve connection.

The LP-gas supply cylinder must be constructed and marked in accordance with the U.S. Department of Transportation (D.O.T) Specifications for LP-Gas Cylinders, or the standard for Cylinders, Spheres and Tubes for Transportation of Dangerous Good and Commission, CAN/CSA -B339, as applicable.

The LP-gas supply cylinder must be provided with a cylinder connection device compatible with the connection for the appliance.

The cylinder used must include a collar to protect the cylinder valve.

The LP-gas supply cylinder must be provided with a listed overfill protection device (OPD).

Do not store a spare LP Gas cylinder under or near this appliance.

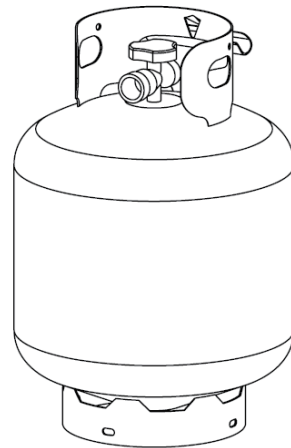
Never fill the cylinder beyond 80 percent full.

For appliances designed to use a CGA No. 791 QCC connection.

Place the dust cap on the cylinder valve outlet whenever the cylinder is not in use.

Other types of caps or plugs may result in leakage of propane.

Note: Gas supply pressure: 25 to 250 PSI.



Standard 20 lb. tank

## PLEASE READ THE FOLLOWING SAFETY RULES

### WARNING:

The appliance is not for use with solid fuel.

The installation must conform with local codes or, in the absence of local codes, with the National Fuel Gas Code, ANSI Z223. 1/ NFPA 54, NFPA58 Natural Gas and Propane Installation Code, CSA B149.1, or Propane Storage and Handling CODE, B149.2.

The appliance, when installed, must be electrically grounded in accordance with local codes or, in the absence of local codes, with the National Electrical Code, ANSI/ NFPA 70, or the Canadian Electrical Code, CSA C22.1.

Prior to use, check for damaged parts such as hose, regulators, pilot or burner.

Inspect the fuel supply connection for signs of leakage (including the hose for LP models) before each use of the appliance.

All leak tests should be done with a soapy solution. NEVER USE AN OPEN FLAME TO CHECK FOR LEAKAGE.

Children and adults should be alerted to the hazards of high surface temperatures and should stay away to avoid burns or clothing ignition.

Young children should be carefully supervised when they are in the area of the appliance.

Clothing or other flammable materials should not be hung from the appliance, or placed on or near the appliance.

Any guard or other protective device removed for servicing the appliance must be replaced prior to operating the appliance.

Installation and repair should be done by a qualified service person. The appliance should be inspected before use and at least annually by a qualified service person.

More frequent cleaning may be required as necessary. It is imperative that control compartment, burners and circulating air passageways of the appliance be kept clean.

Keep the appliance area clear and free from combustible materials, gasoline and other flammable vapors and liquids.

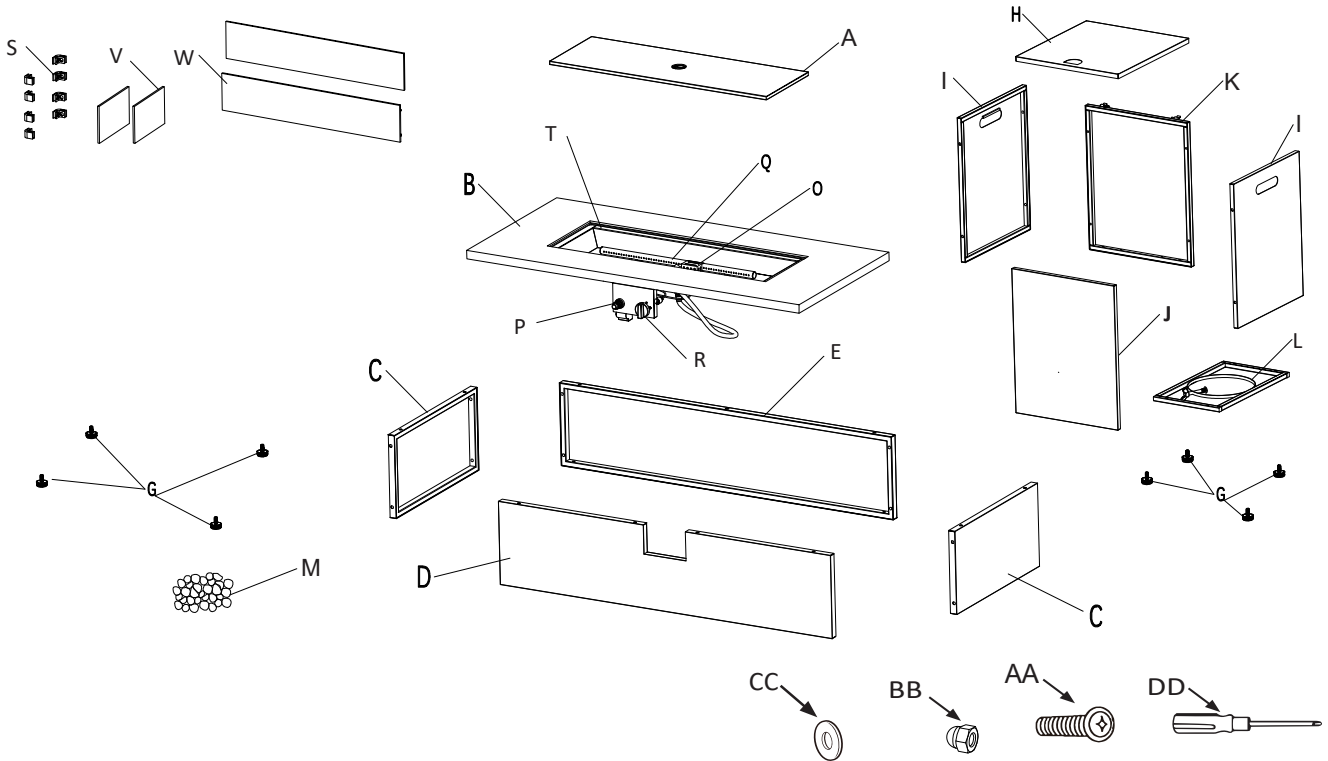
DO NOT OBSTRUCT the flow of combustion and ventilation air.

Keep the ventilation opening(s) of the cylinder enclosure free and clear from debris.

The appliance shall be used only in a well-ventilated space and shall not be used in a building, garage or any other enclosed area.

An appliance may be installed with shelter no more inclusive than: With walls on all sides, but with no overhead cover.

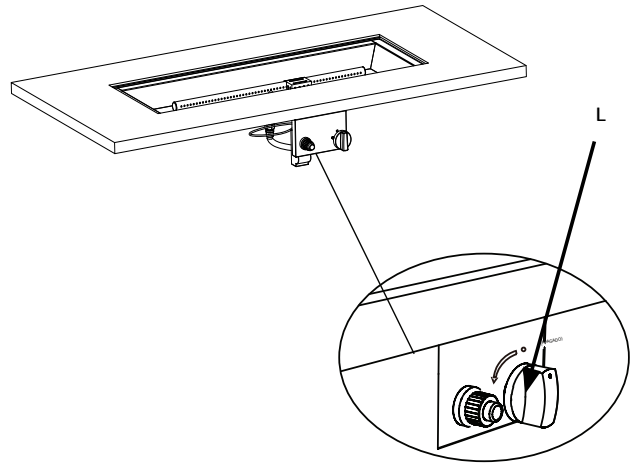
Within a partial enclosure which includes an overhead cover and no more than two side walls. These side walls may be parallel, as in a breezeway, or at right angles to each other.



Item	Description	Qty
A	Lid	1
B	Table Top	1
C	Side Panel	2
D	Front Panel	1
E	Back Panel	1
G	Feet	8
H	Iron tank door	1
I	Iron tank side panel	2
J	Iron tank front panel	1
K	Iron tank back panel	1
L	Metal Stand	1
O	Guard (preassembled)	1
T	Firebowl (preassembled)	1
Q	Burner(preassembled)	1
R	ontrol knob	1
S	Glass Clamp	8
V	Glass Short Plank	2
W	Glass Long Plank	2
M	Lava Rocks	1
AA	M6 x 30 Screw	32
BB	M6 Nut	1
CC	Washer	31
DD	Screwdriver	1

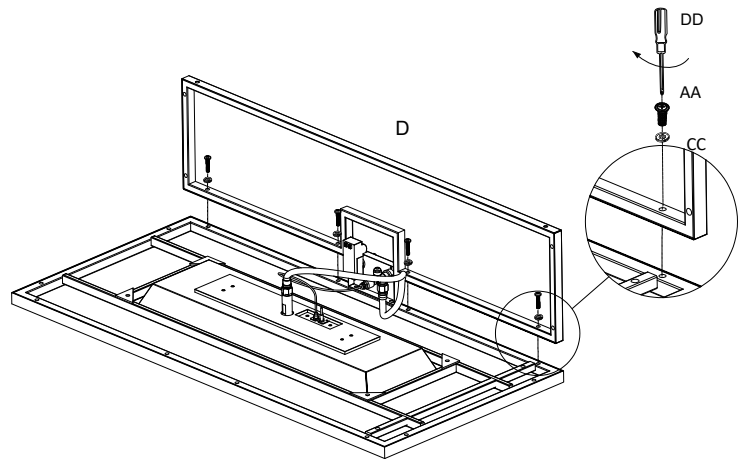
### Checking the gas control

1. Put the control knob (L) on the valve stem. Check that the control knob for the gas supply system is turned to the "OFF" position before starting any assembly.



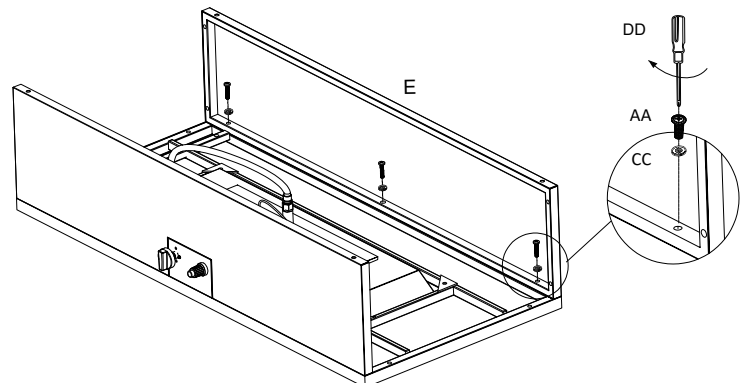
### Attaching the front panel

2. Attach the front panel (D) to the table top (B) using 4 pcs M6x30 screws and 4 pcs washers (CC).



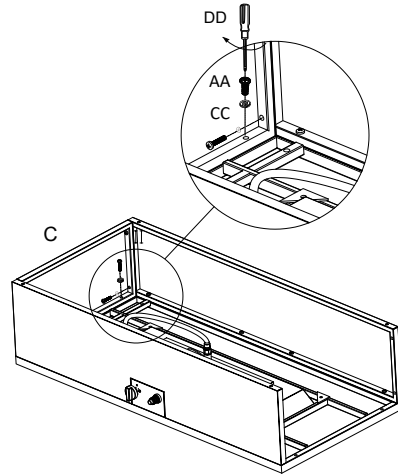
### Attaching the back panel

3. Attach the back panel (E) to the table top (B) using 3 pcs M6x30 screws and 3 pcs washers (CC).



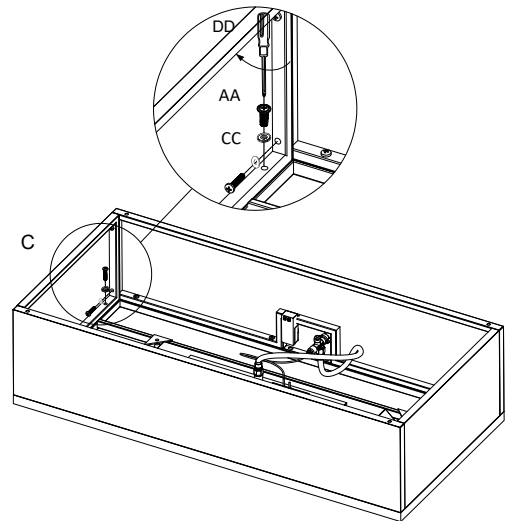
**Attaching the left side panel**

4. Attach the side panel(C) to the table top(B) and front/back panel using 6pcs M6x30 screws and 6 pcs washers (CC).



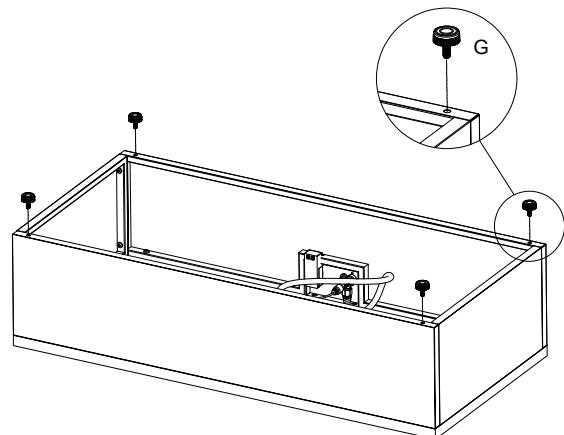
**Attaching the right side panel**

5. Attach the side panel(C) to the table top(B) and front/back panel using 6pcs M6x30 screws and 6 pcs washers (CC).



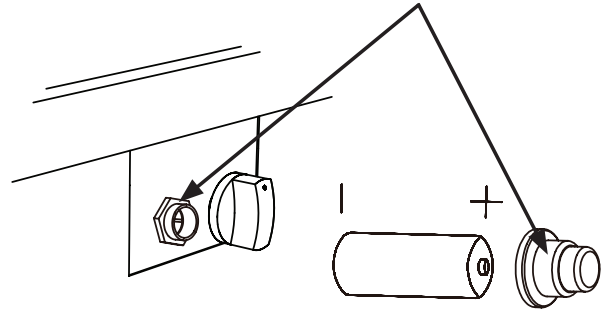
**Attaching the feet**

6. Attach the feet(G) to the front panel and back panel



### Installing the battery

7. Remove the rubber cap on the electronic igniter (P) by unscrewing and slide AAA battery(not included) into the battery slot. Make sure the positive side of the battery faces outwards. Screw the electronic igniter cap (P) over the battery tightly.

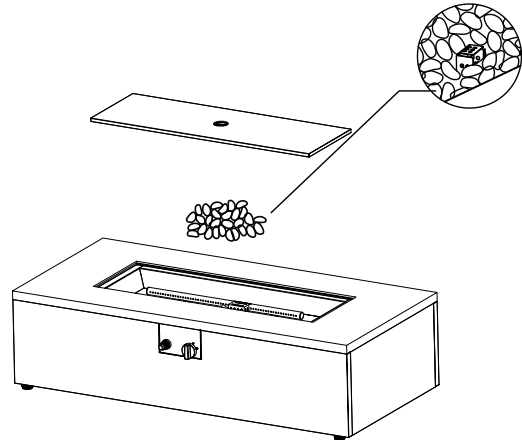


### Pouring the Lava Rocks

8. Pour the box of Lava Rocks(L) into the firebowl(O)

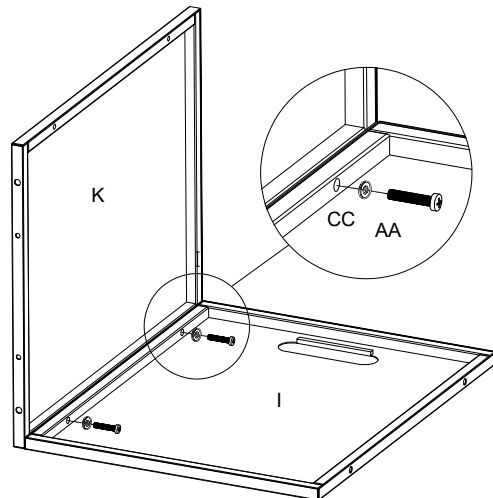
#### **!** CAUTION

To ensure proper function, the guard (I) on this burner (P) should be free of lava rocks at all times.



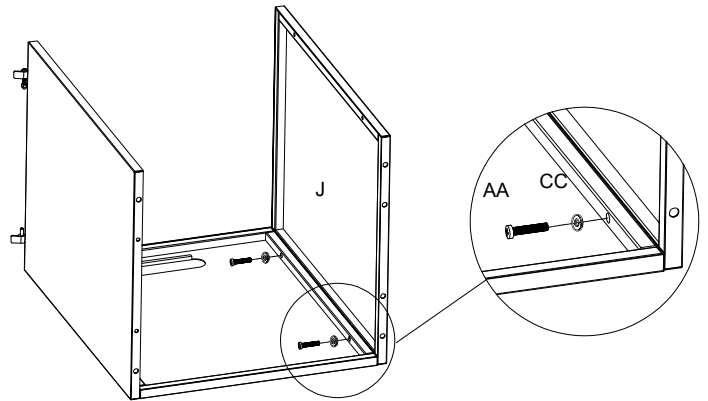
### Attaching the iron tank back panel

9. Attach the iron tank back panel (K) to the iron tank side panel (I) using 2 pcs M6x30 screws and 2 pcs washers (CC).



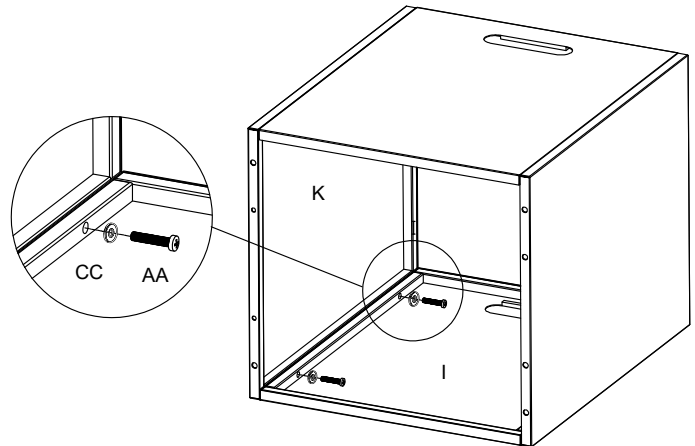
**Attaching the iron tank front panel**

10. Attach the iron tank front panel (J) to the iron tank side panel (I) using 2 pcs M6x30 screws and 2 pcs washers (CC).



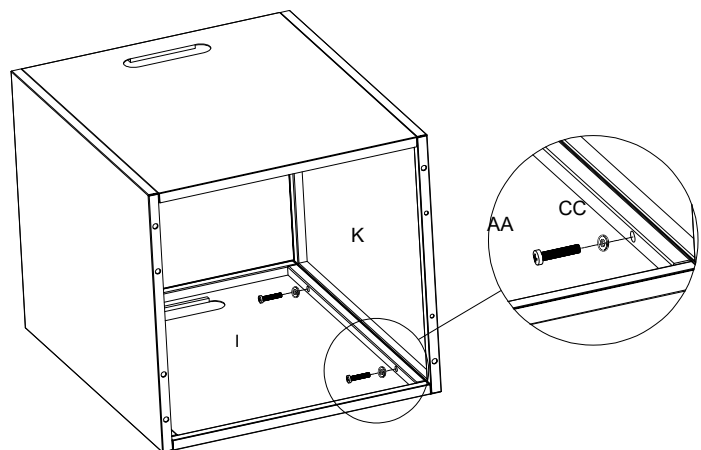
**Attaching the iron tank back panel**

11. Attach the iron tank back panel (K) to the iron tank side panel (I) using 2 pcs M6x30 screws and 2 pcs washers (CC).



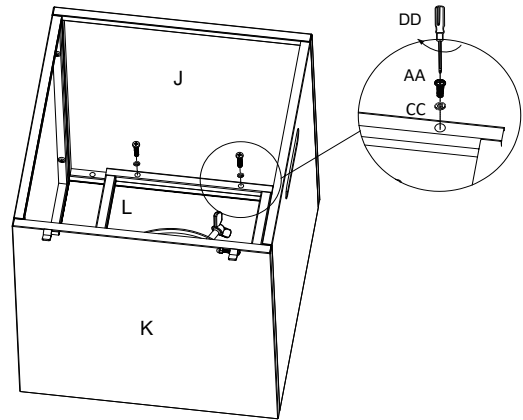
**Attaching the iron tank side panel**

12. Attach the iron tank back panel (K) to the iron tank side panel (I) using 2 pcs M6x30 screws and 2 pcs washers (CC).



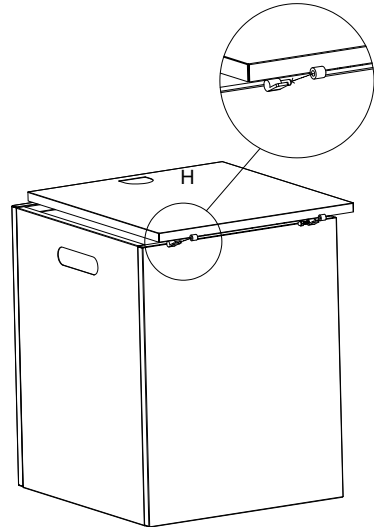
**Attaching the metal stand**

13. Attach the metal stand (L) to the iron tank front panel (J) and iron tank back panel (K) using 4pcs M6x30 screws and 4 pcs washers (CC).



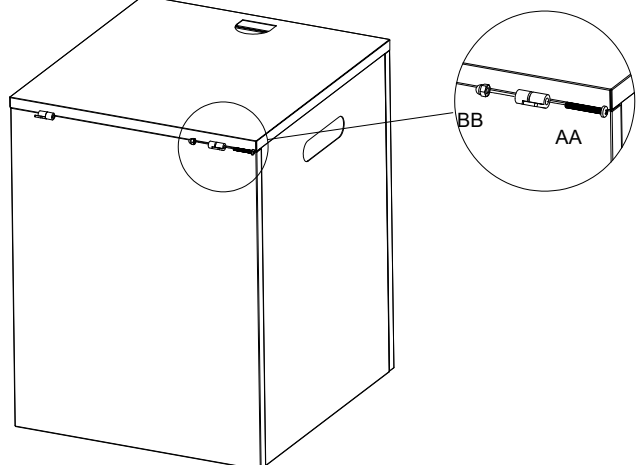
**Attaching the Iron tank door**

14. Attach the Iron tank door (H) to the iron tank back panel (K)



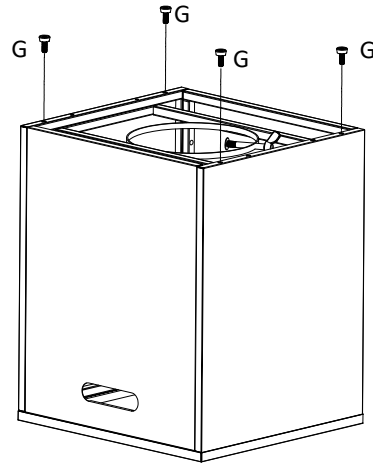
**Attaching the Iron tank door**

15. Attach the Iron tank door (H) to the iron tank back panel (K) using 1pcs M6x30 screws and M6 nut.



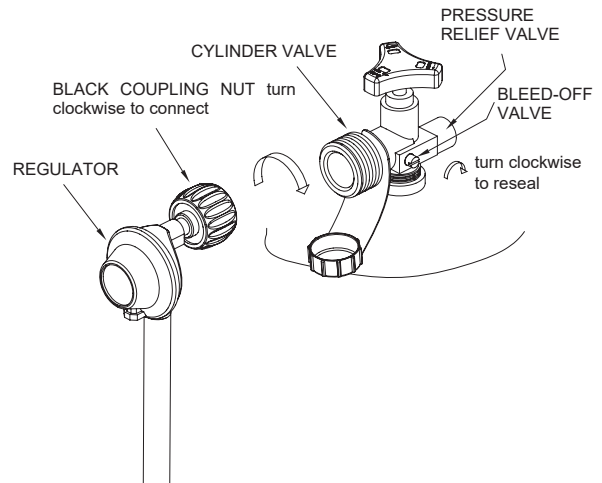
### Attaching the feet

16. Screw four feet(G) onto the tank table. If necessary, adjust feet to level the tank table.



### Attaching the regulator

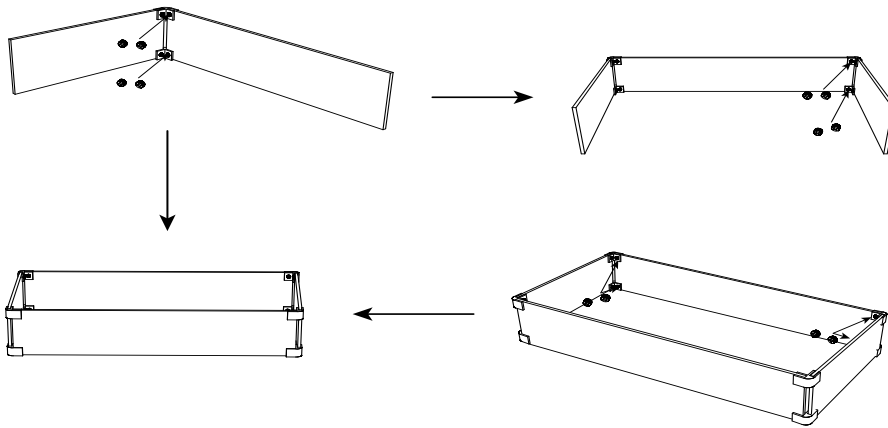
17. Turn the cylinder valve on the tank clockwise to close the propane tank. Attach the preassembled regulator from the table top (B) to the cylinder valve by turning the regulator coupling nut clockwise. Make sure it is fastened securely and tighten connections by hand only.



## Assembly

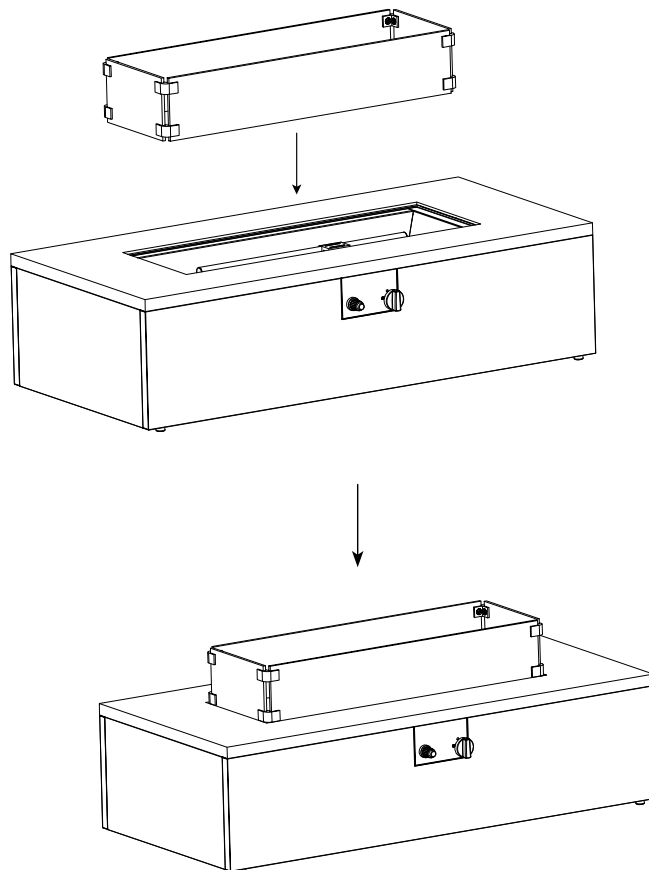
### 1 Assembling the glass

Unscrew all preassembled screws on the glass clamps. Then, assemble one glass panel to the other glass panel. Repeat for the rest two glass panels. Then, assemble the two glass panel pieces together with the final glass clamps as shown below.




### 2 Inserting the glass

Insert the glass assembly made in step 1 into the ridge on the top of the fire table body.



# OPERATION

 **WARNING:** Never use this appliance for other than the intended use. Do not use this appliance to prepare food.

**Initial Lighting:** When lit for the first time, the appliance emits a slight odor. This is normal temporary condition caused by the “burn –in” of internal paints and lubricants used in the manufacturing process and does not occur again. Simply run the main burner on high for approximately one-half hour.

 **WARNING:**

- Children and adults should be alerted to the hazards of high surface temperatures and should stay away from the appliance to avoid burns or clothing ignition.
- Children should be carefully supervised when they are in the area of the appliance.
- Clothing or other flammable materials should not be hung from the appliance, or placed on or near the appliance. The area above the enclosure may be extremely hot. Direct contact with these surfaces should be avoided in order to prevent burns or clothing ignition.
- Any guard or protective device removed for servicing the appliance must be replaced prior to operating the appliance.
- Installation and repair should be done by a qualified service person.
- The appliance should be inspected before each use and at least annually by a qualified service person. More frequent cleaning may be required necessary. It is imperative that the control compartment, burners and circulating air passageways of the appliance be kept clean.

 **WARNING:**

- Never use the appliance while it is raining. Always turn the appliance off when raining.
- Never use the appliance if the burner is damaged. Inspect the burner before each use.
- Ensure that no debris such as leaves; grass or other objects have entered or are on the appliance. If the burner is damaged it must be replaced prior to using the appliance with a replacement burner specified by your manufacture.
- Inspect the hose assembly before each use. If there is evidence of excessive abrasion or wear, or if the hose is damaged it must be replaced prior to using the appliance with a replacement hose assembly specified by your manufacture.

 **WARNING: Any modification to the appliance may compromise the safety of this appliance. Special concern is as followed:**

Do not bypass thermocouple safety.

Do not operate the appliance if any parts has been under water. Immediately call a qualified service technician to inspect the appliance and replace any part of the control system and gas control, that has been underwater.

## Lighting Instructions

1. Press and hold electronic igniter button.
2. Turn the burner control to the high position, press and hold in. When the burner lights, release the electronic igniter button.
3. Continue to depress the burner control knob for 30 seconds and then release. If the flame goes out, repeat the procedure.
4. Adjust the flame to the desired height with the burner control knob.
5. If the burner will not light with the electronic igniter, hold a lit long match or lit long butane lighter to the ignition area of the burner and continue with step 2.
6. To shut down the burner turn the burner control knob clockwise to the off position. Then turn the gas off at the source (propane cylinder valve or natural gas supply valve).



### **WARNING**

#### **FOR YOUR SAFETY:**

**Keep face and body away from burner area when lighting. Ensure burner controls are in the off position. Slowly turn on the gas supply valve.**



### **WARNING**

#### **FOR YOUR SAFETY:**

**The propane cylinder is equipped with an excess flow device. Unless burners are turned off prior to turning the cylinder on, only small flames and low heat will be achievable.**



### **WARNING**

#### **FOR YOUR SAFETY:**

**If the burner does not light within 10 seconds, turn the valve off and wait 5 minutes for any gas to dissipate before repeating the procedure.**

# MAINTENANCE AND STORAGE

## MAINTENANCE:

To enjoy years of outstanding performance from your appliance, make sure you perform the following maintenance activities on a regular basis:

- **At least once a year, the unit should be inspected** for the presence of spiders, spider webs or other insects.
- Air flow must be unobstructed. Keep controls, burner, and circulating air passageways clean. Signs of possible blockage include:
  - Gas odor with extreme yellow tipping of flame.
  - Appliance does NOT reach the desired temperature.
  - Heat glow is excessively uneven.
  - Heat makes popping noises.
- Spiders and insects can nest in burner or orifices. This dangerous condition can damage appliance and render it unsafe for use. Clean burner holes by using a heavy-duty pipe cleaner. Compressed air may help clear away smaller particles.
- Carbon deposits may create a fire hazard. Clean reflector, thermocouple and emitter screen with a dry cloth if any carbon deposits develop.
- The burner is made from stainless steel, but extreme heat and a corrosive environment can cause surface corrosion to occur. Inspect the burner at least annually for cracks, insect nests, excessive corrosion or any other damage. If the burner is damaged, it must be replaced with a burner specified by the manufacturer before the appliance is put into operation.

## **STORAGE:**

### **Between uses**

- Turn the control knob to “OFF” position.
- Disconnect LP source.
- Store appliance upright in an area sheltered from direct contact with inclement weather (such as rain, sleet, hail, snow, dust and debris).
- Cover appliance to protect exterior surfaces and to help prevent build up in air passages.

NOTE: Wait until appliance is cool before covering.

### **During periods of extended inactivity or when transporting**

- Turn the control knob to “OFF” position.
- Disconnect LP source and move to a secure, well ventilated location outdoors. DO NOT store in a location that will exceed 125 degrees F.
- Store appliance upright in an area sheltered from direct contact with inclement weather (such as rain, sleet, hail, snow, dust and debris).
- Cover appliance to protect exterior surfaces and to help prevent build up in air passages.

NOTE: Wait until appliance is cool before covering.

# TROUBLE SHOOTING

PROBLEM	PROBABLE CAUSE	SOLUTION
Low heat / Low flame when valve turned to high.	For propane- improper lighting procedure.	Ensure lighting procedure is followed carefully. The valve must be in the off position when the tank valve is turned on. Turn tank on slowly to allow pressure to equalize. See lighting instruction.  Pipe must be sized according to installation code.
Burners burn with yellow flame, accompanied by the smell of gas.	Possible spider web or other debris.	Thoroughly clean burner venturi. See general maintenance instructions.
Burner will not light with the igniter, but will light with a match.	Loose electrode wire or switch terminal wires.	Check that electrode wire is firmly pushed onto the terminal on the back of the igniter. Check that the lead wires from the module to the ignition switch ( if equipped) are firmly pushed onto their respective terminals.
Burner will not stay lit when control knob is released.	Knob not being held in long enough.  Too windy.  Flame glass or debris in ignition area of the burner preventing thermocouple from being fully engulfed in flame.  Dirty thermocouple or thermocouple connection.  Faulty thermocouple or valve.	Thermocouple must have time to heat up-hold the knob in for 30 seconds after the burner lights, then release.  Unit will shut down if winds are greater than 10mph (16km/h). Either locate to different area or use when it is less windy.  Ensure there is no flame glass or other debris in ignition area, and that the small hole below the thermocouple is unobstructed.  Clean the thermocouple and clean the connection between the valve and thermocouple. Ensure the connection is properly tightened.  Replace thermocouple and / or valve.
Humming regulator.	Normal occurrence on hot days.	This is not a defect. It is caused by internal vibrations in the regulator and does not affect the performance or safety of the appliance. Humming regulators will not be replaced.
Burner output on "high" setting is too low. (Rumbling noise and fluttering blue flame at burner surface.)	Lack of gas.  Supply hose is pinched.  Dirty or clogged orifice.  Spider webs or other matter in venturi tube. Propane regulator in "low flow" state.	Check gas level in propane cylinder.  Reposition supply hose as necessary.  Clean burner orifice.  Clean out venturi tube.  Ensure lighting procedure is followed carefully. All valves must be in the off position when the tank valve is turned on. Turn tank on slowly to allow pressure to equalize. See lighting instructions.