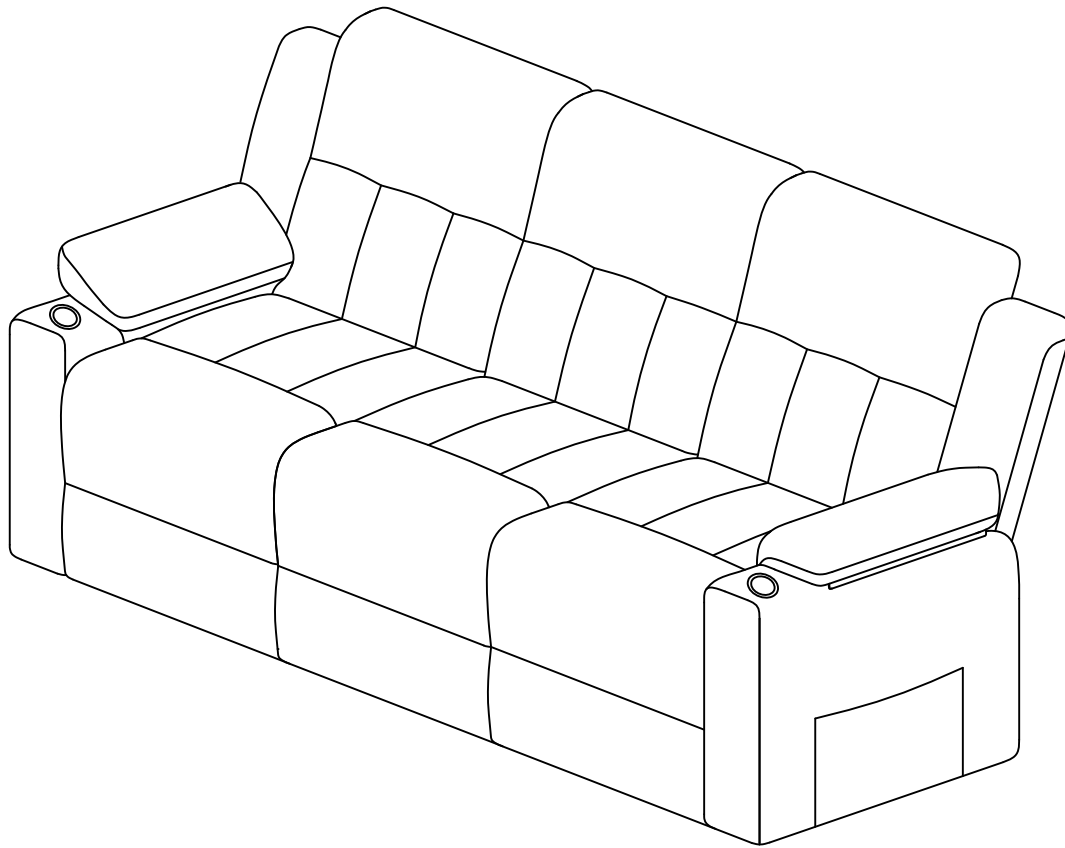


SOFA

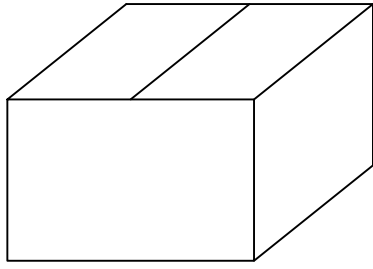
Assembly Instruction



▲ NOTE:

The production with FOUR PACKAGES, come with FOUR TRACKINGS, may not be delivered at the same time.

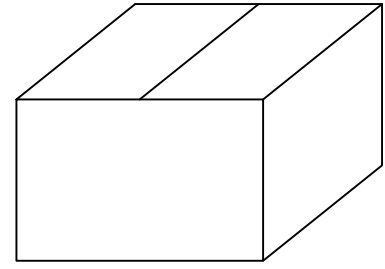
BOX1



Left position

- (A-1) Functional Seat Frame(L) **x1**
- (A-4) Back Frame (L) **x1**
- (A-3) Armrest Pad(L) **x1**
- (A-6) Wing(L) **x1**
- (a) Washer **x2**
- (b) 6*30 Bolts **x2**
- (c) Allen Key **x1**
- (1) Latch **x1**

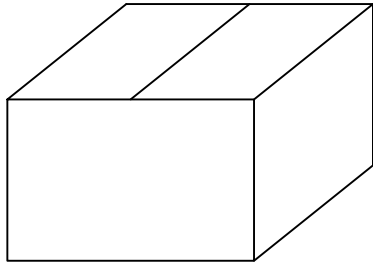
BOX2




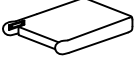

Right position

- (C-1) Functional Seat Frame(R) **x1**
- (C-4) Back Frame (R) **x1**
- (C-3) Armrest Pad(R) **x1**
- (C-6) Wing(R) **x1**
- (a) Washer **x2**
- (b) 6*30 Bolts **x2**
- (c) Allen Key **x1**
- (1) Latch **x1**


BOX3



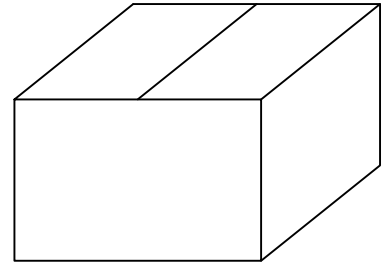
intermediate position

-  (B-1) Functional Seat Frame **x1**
-  (B-2) Back Frame **x1**
-  (B-3) Backrest Cover **x1**

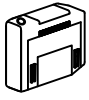

Right position

-  (C-5) Backrest Cover(R) **x1**

BOX4



Left position

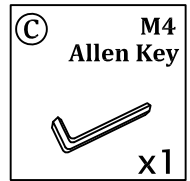
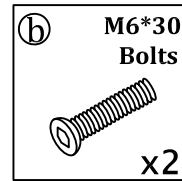
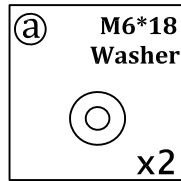
-  (A-2) Armrest(L) **x1**
-  (A-5) Backrest Cover (L) **x1**

Right position

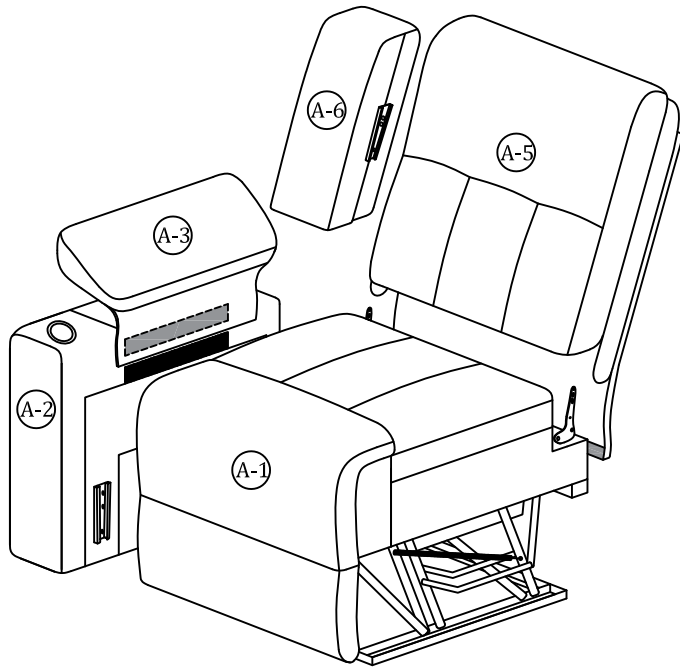
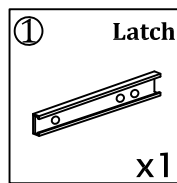
-  (C-2) Armrest(R) **x1**

Assembly Instruction of Sofa

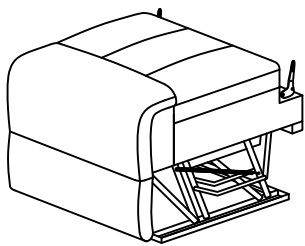
Hardware parts



Structural accessories

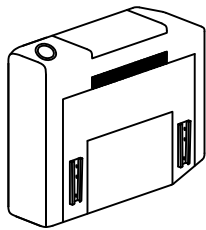


Main structure accessories



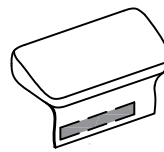
① 1pc

Functional Seat Frame(L)



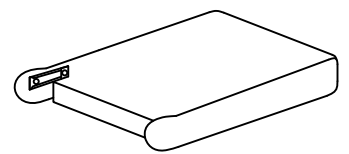
② 1pc

Armrest(L)



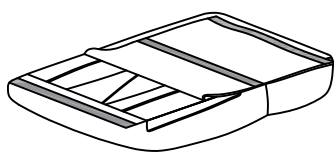
③ 1pc

Armrest Pad(L)



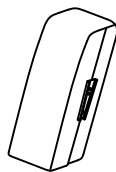
④ 1pc

Back Frame(L)



⑤ 1pc

Backrest Cover(L)

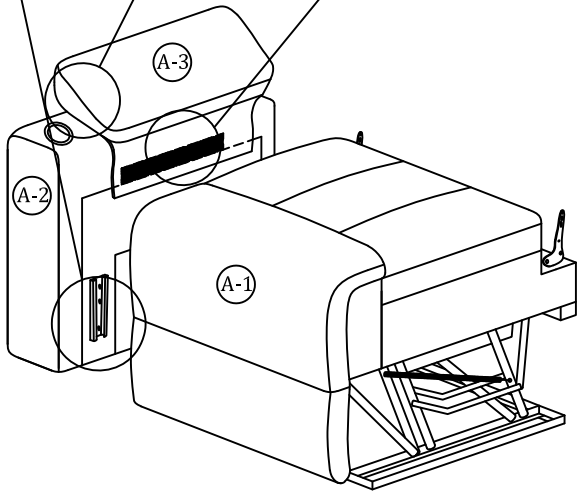
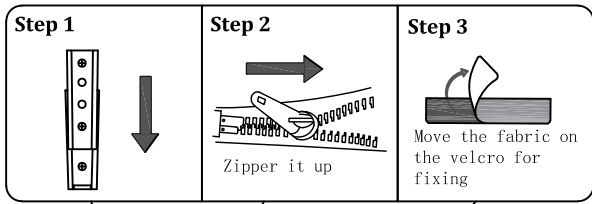


⑥ 1pc

Wing(L)

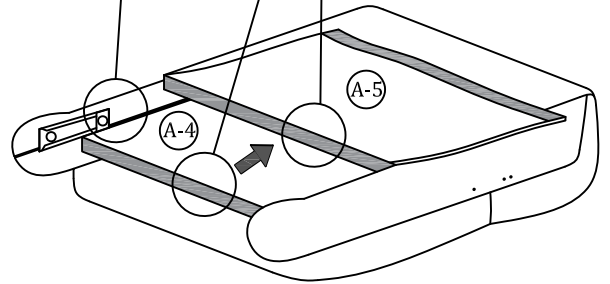
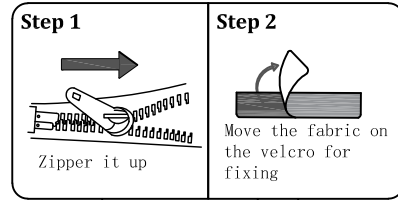
Assembly Instruction of Sofa

Step 1

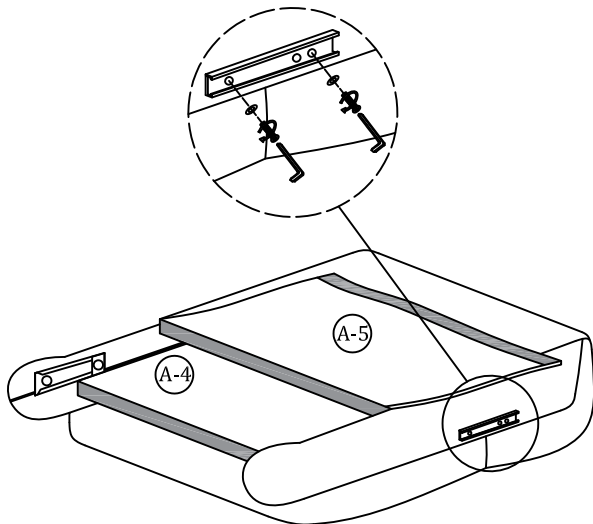


Step 2

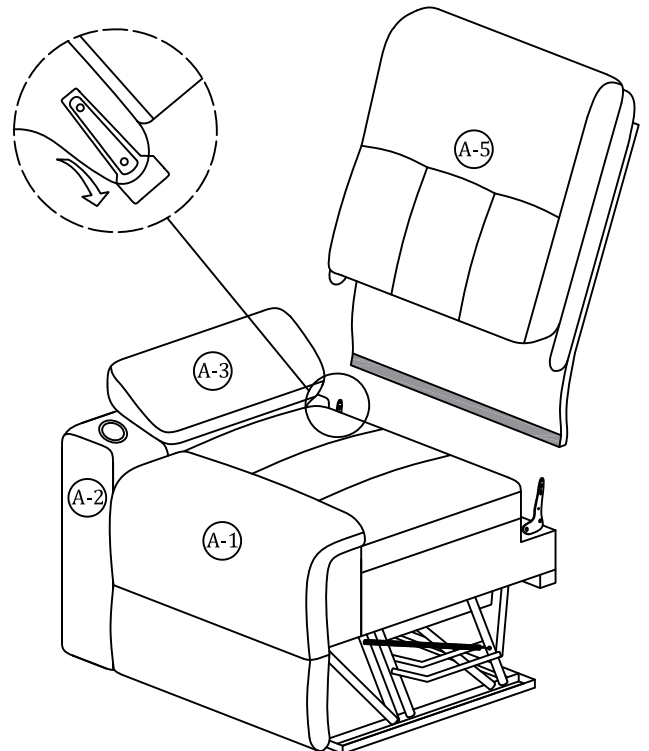
Insert A-4 into A-5 before sticking Nylon Fastener



Step 3



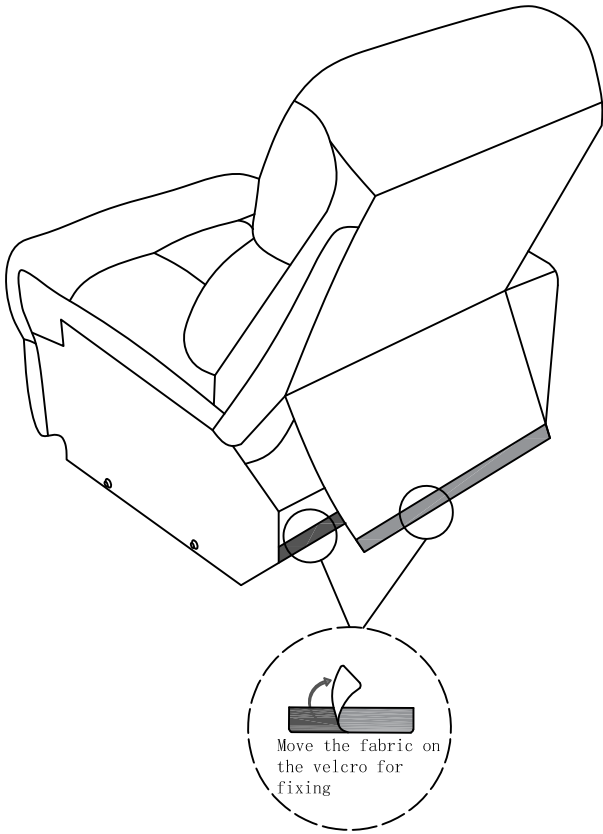
Step 4



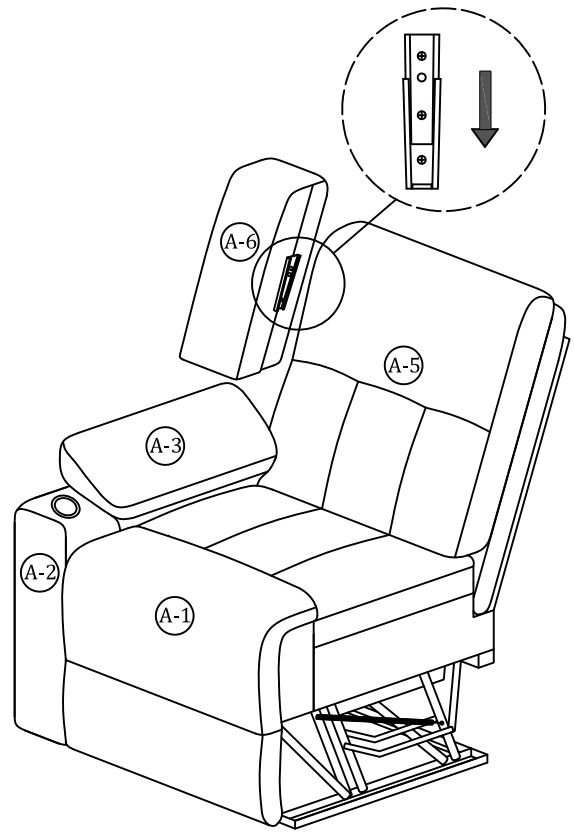
Ⓒ		x1	Ⓐ		x2
Ⓑ		x2	①		x1

Assembly Instruction of Sofa

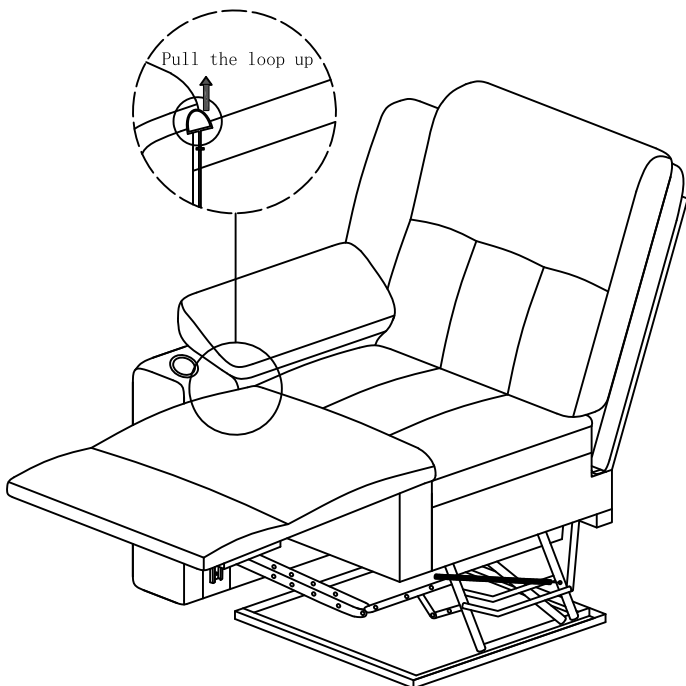
Step 5



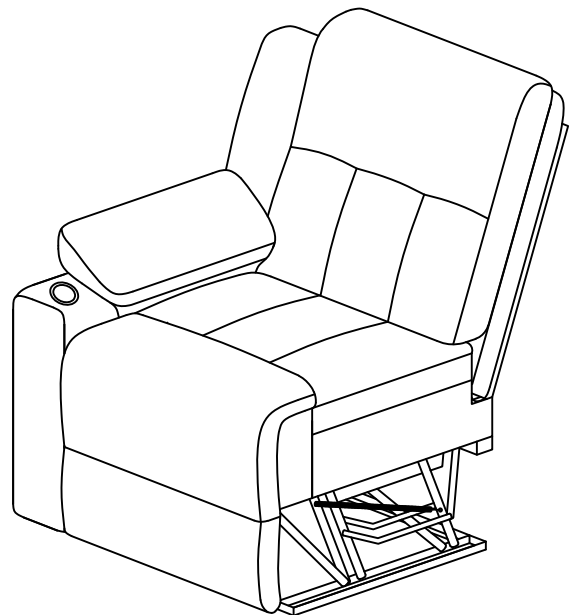
Step 6



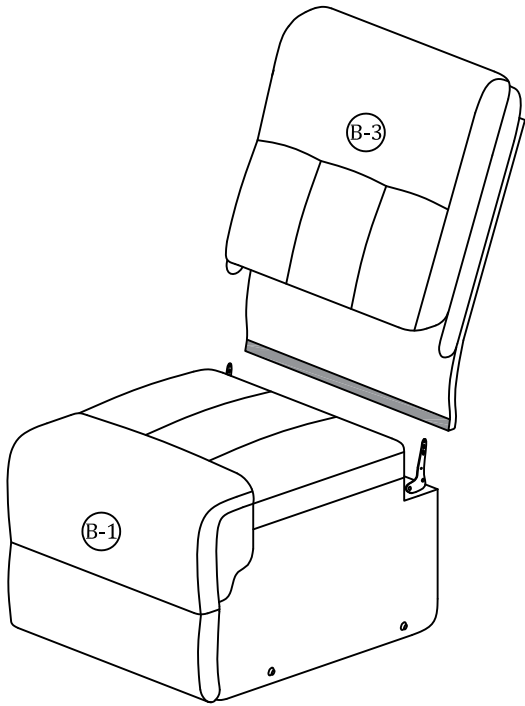
Step 7



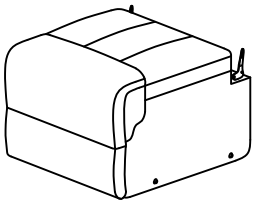
Step 8



Assembly Instruction of Sofa

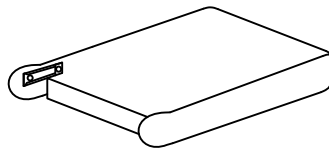


Main structure accessories



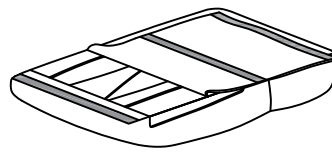
Ⓑ-1 1pc

Functional Seat Frame



Ⓑ-2 1pc

Back Frame



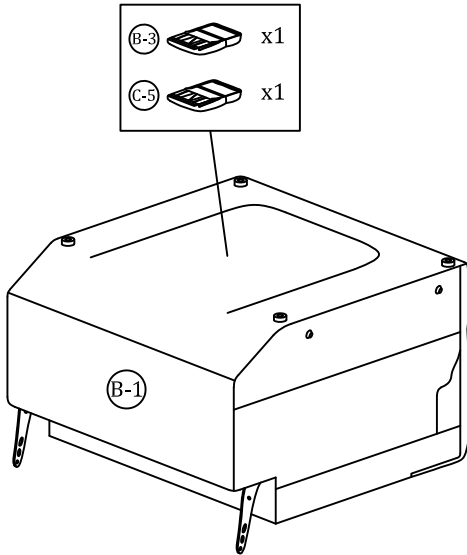
Ⓑ-3 1pc

Backrest Cover

Assembly Instruction of Sofa

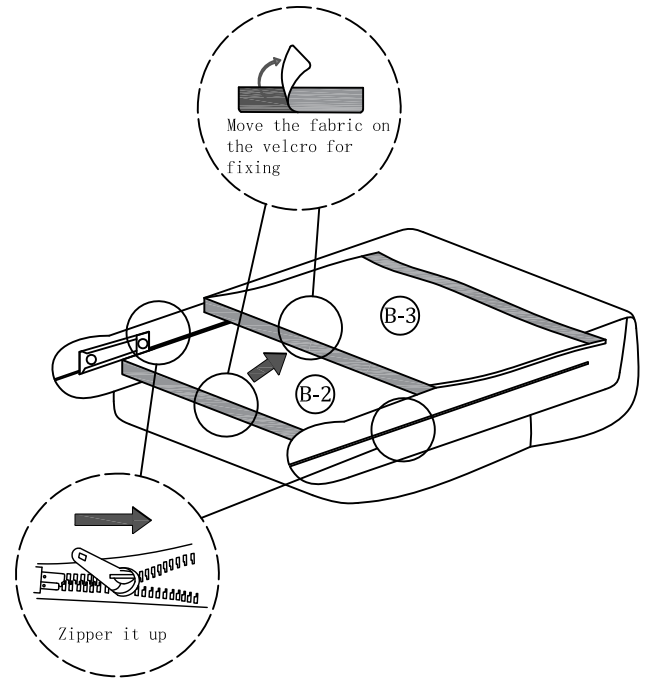
Step 1

Take out of B-3 and C-5 from the bottom of B-1

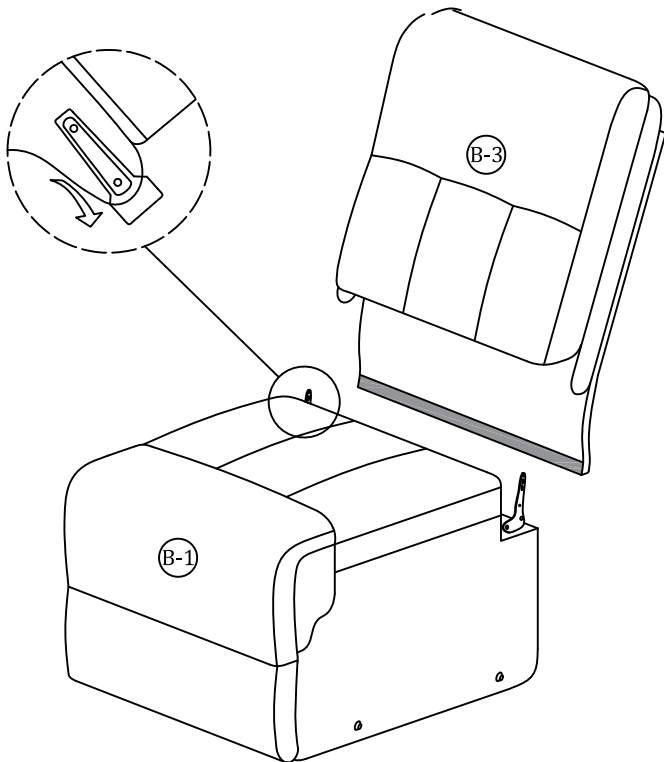


Step 2

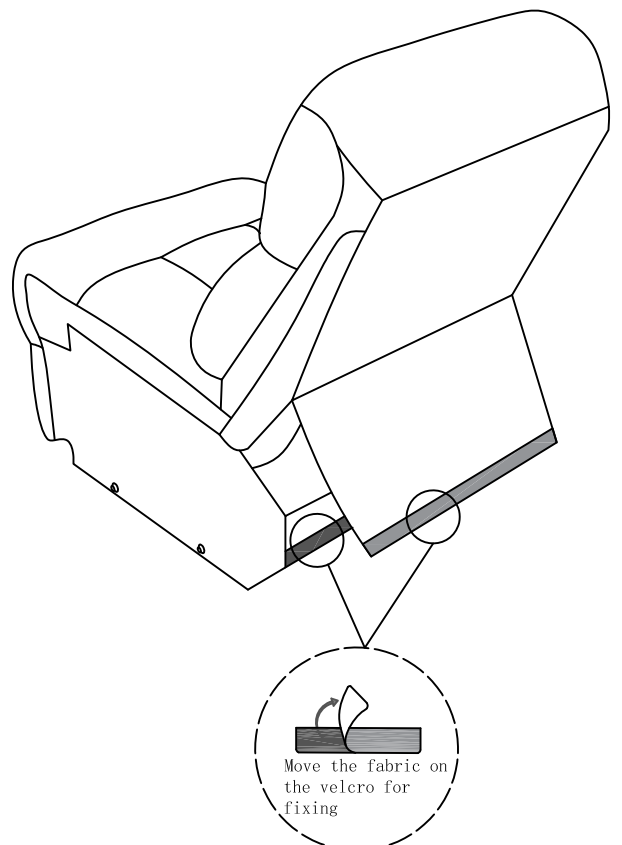
Insert B-2 into B-3 before sticking Nylon Fastener



Step 3

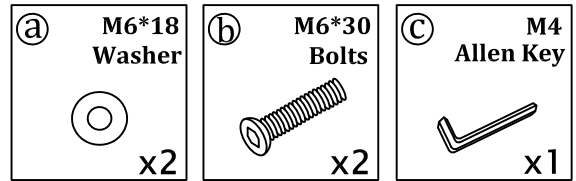


Step 4

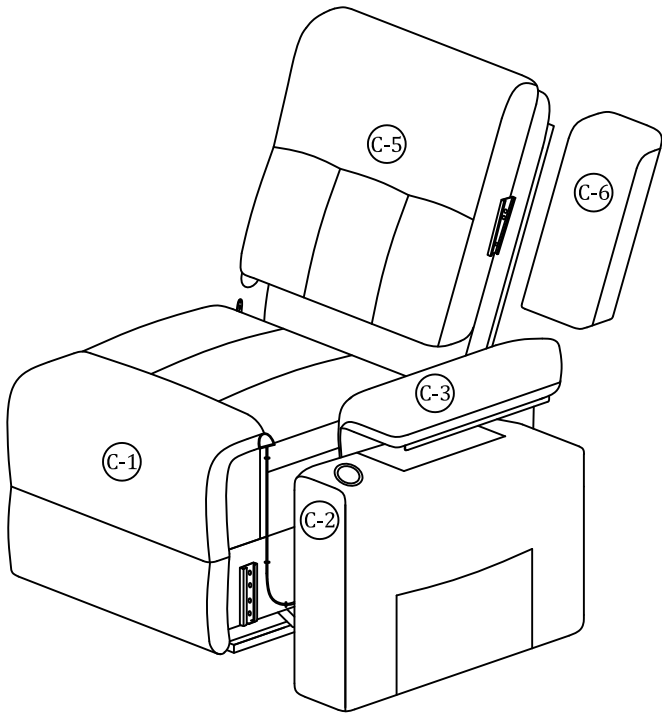
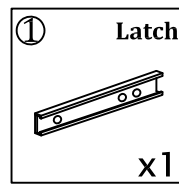


Assembly Instruction of Sofa

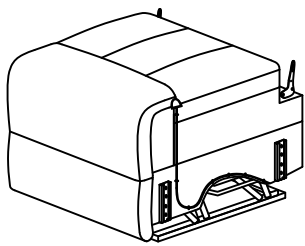
Hardware parts



Structural accessories

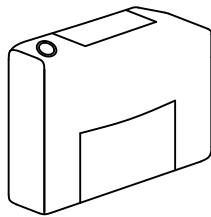


Main structure accessories



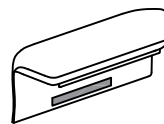
(C-1) 1pc

Functional Seat Frame(R)



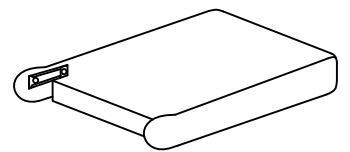
(C-2) 1pc

Armrest(R)



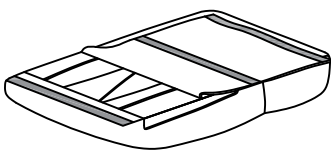
(C-3) 1pc

Armrest Pad(R)



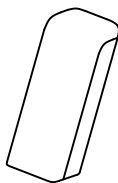
(C-4) 1pc

Back Frame (R)



(C-5) 1pc

Backrest Cover (R)

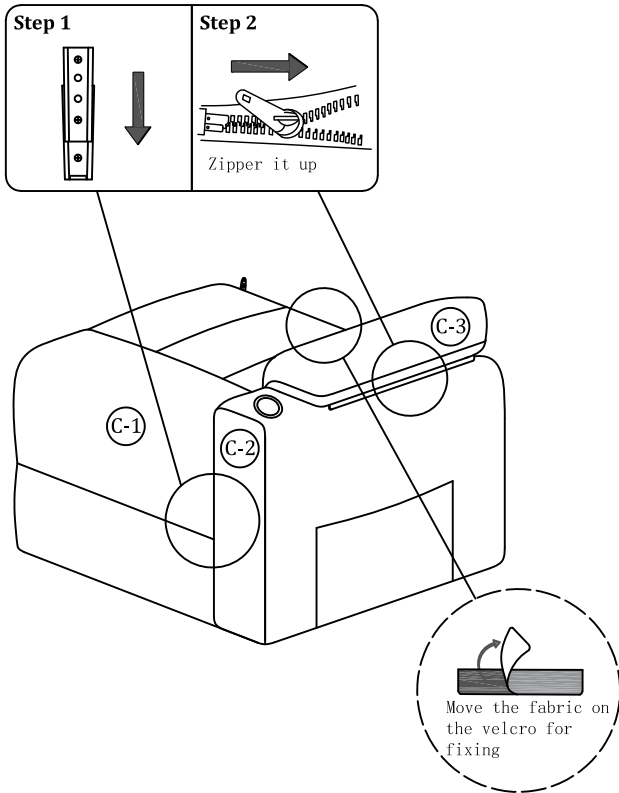


(C-6) 1pc

Wing(R)

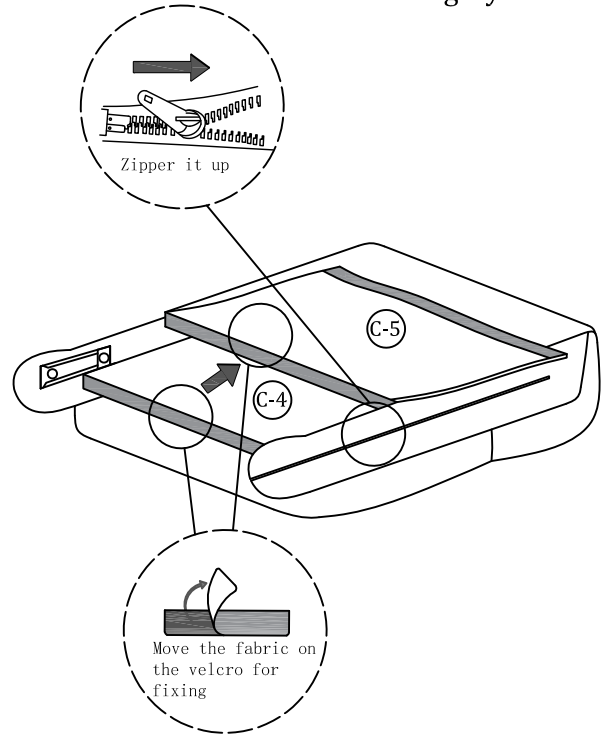
Assembly Instruction of Sofa

Step 1

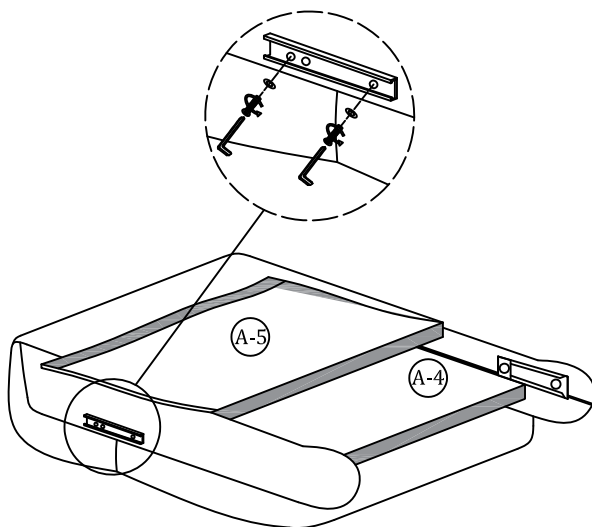


Step 2

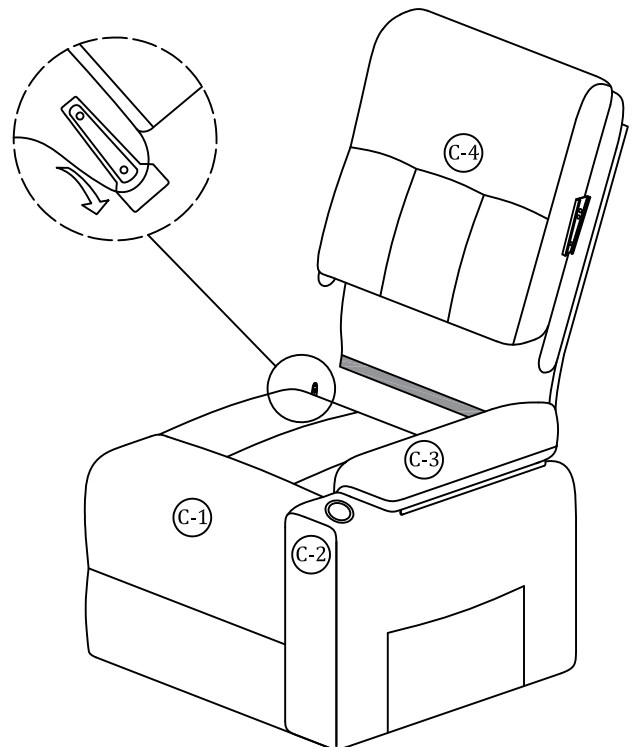
Insert C-4 into C-5 before sticking Nylon Fastener



Step 3



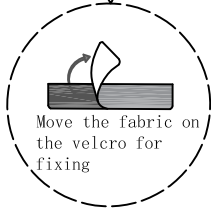
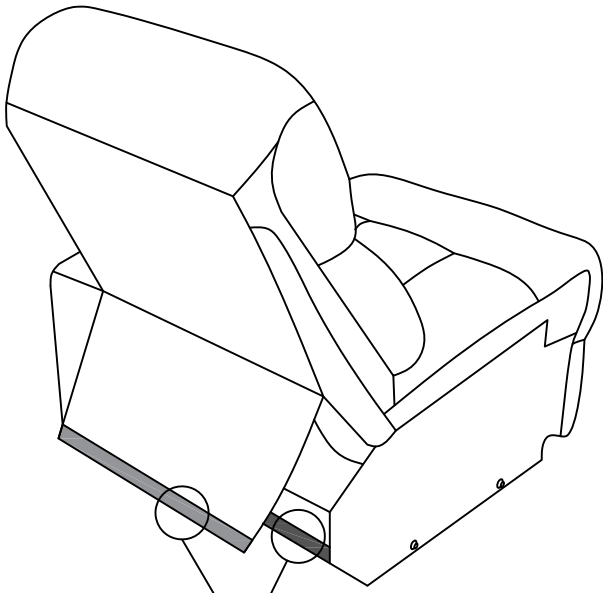
Step 4



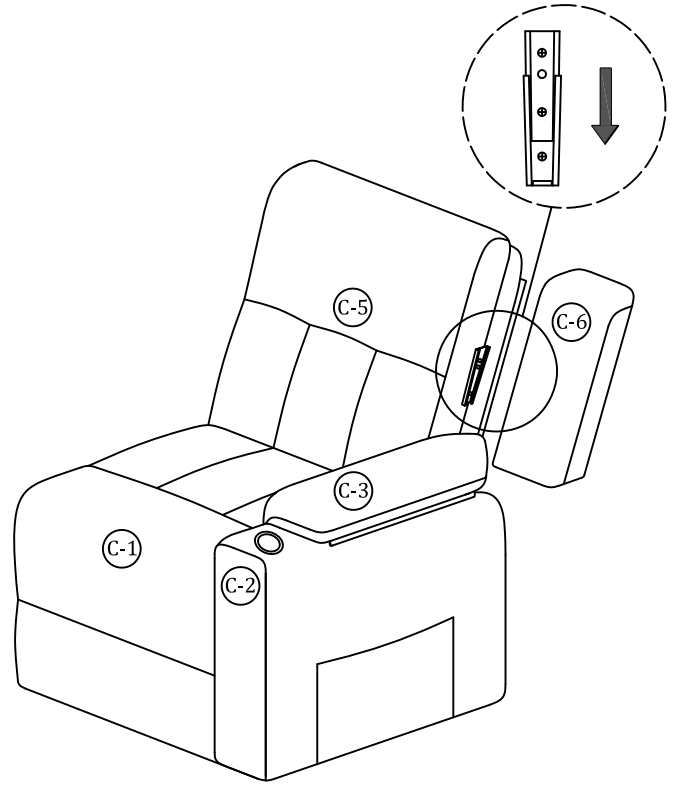
Ⓒ		x1	Ⓐ		x2
Ⓑ		x2	①		x1

Assembly Instruction of Sofa

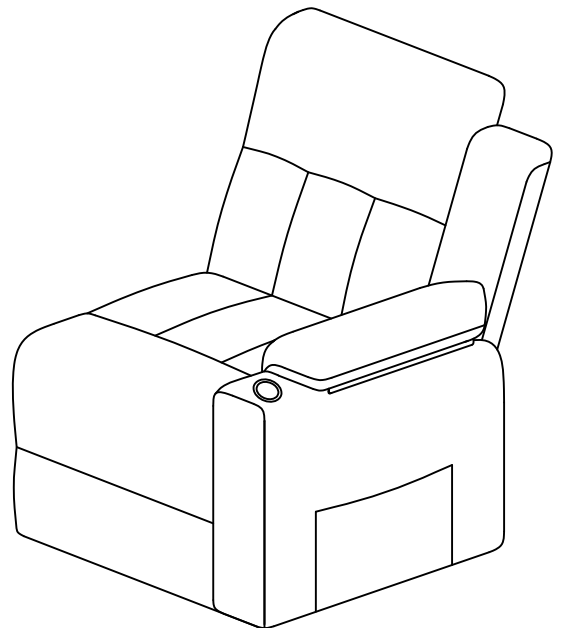
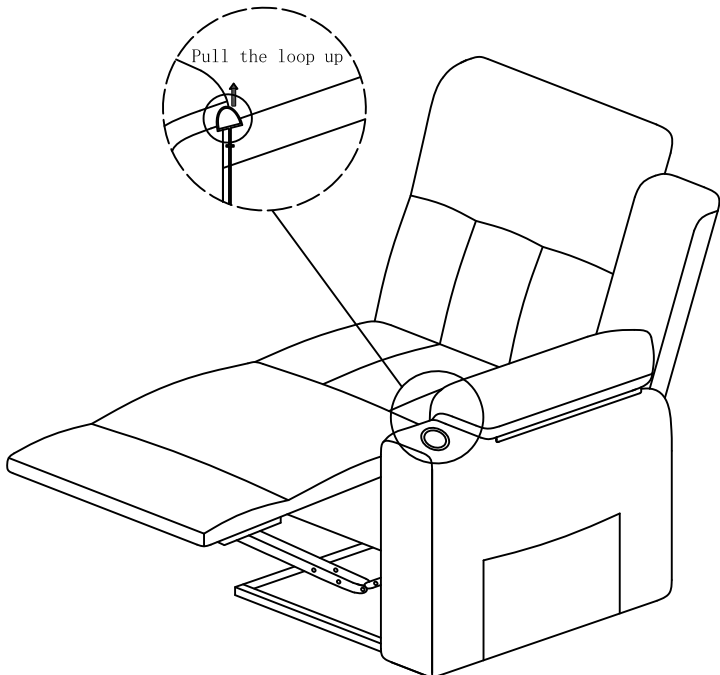
Step 5



Step 6

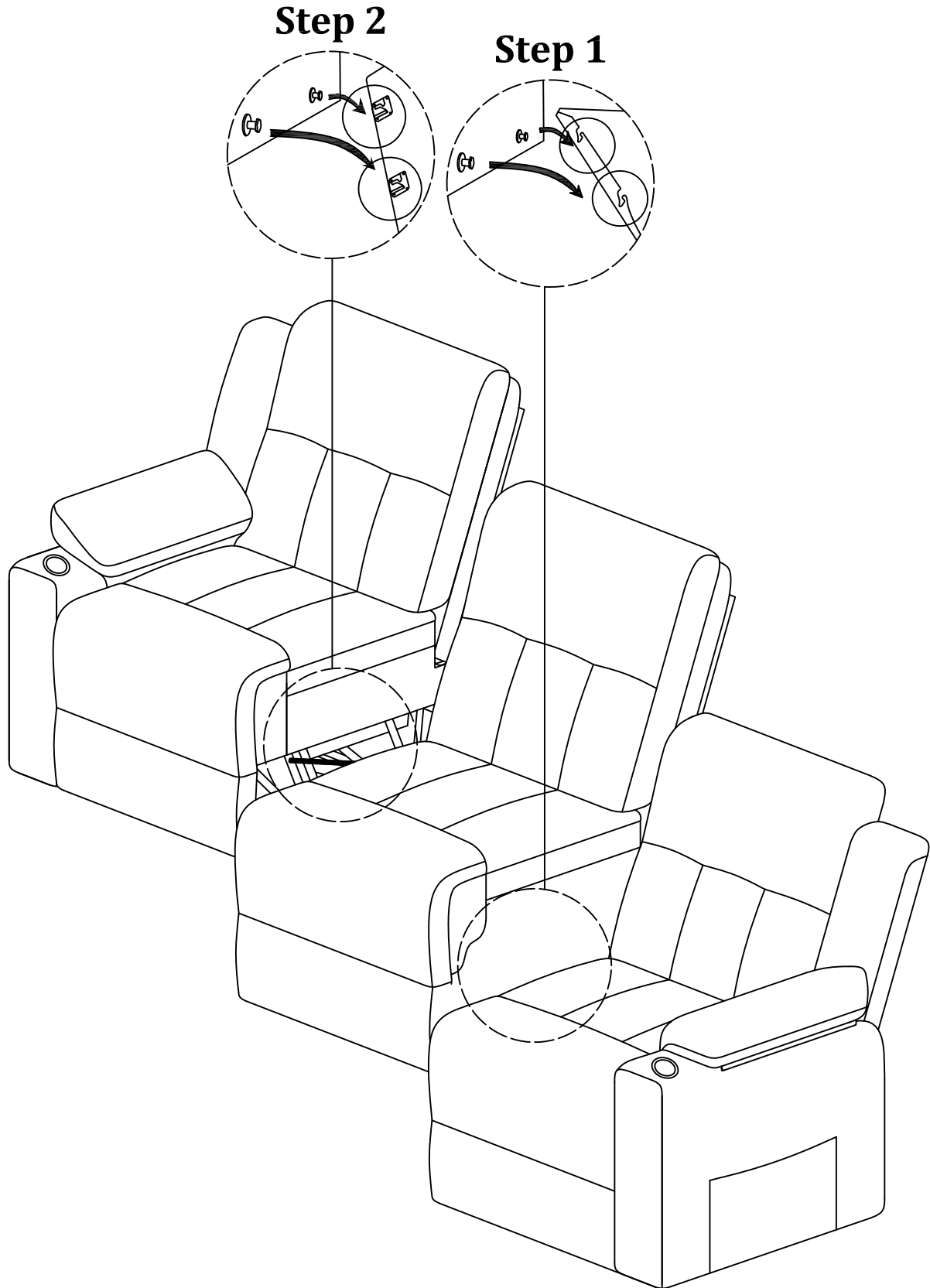


Step 7



Assembly Instruction of Sofa

Assemble from right to left.



Assembly Instruction of Sofa

