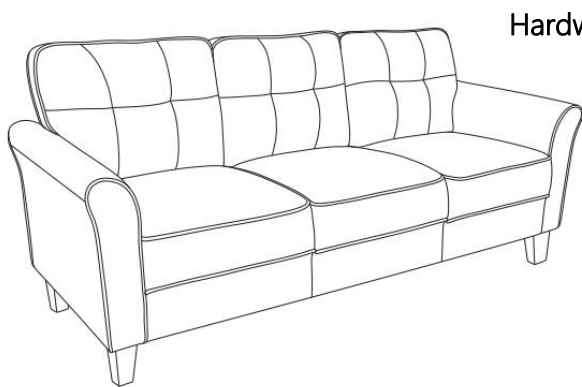


## YN-1308 SOFA

Thank you for purchasing the **MEEYAR SOFA**

Before you start, here are some helpful advice:

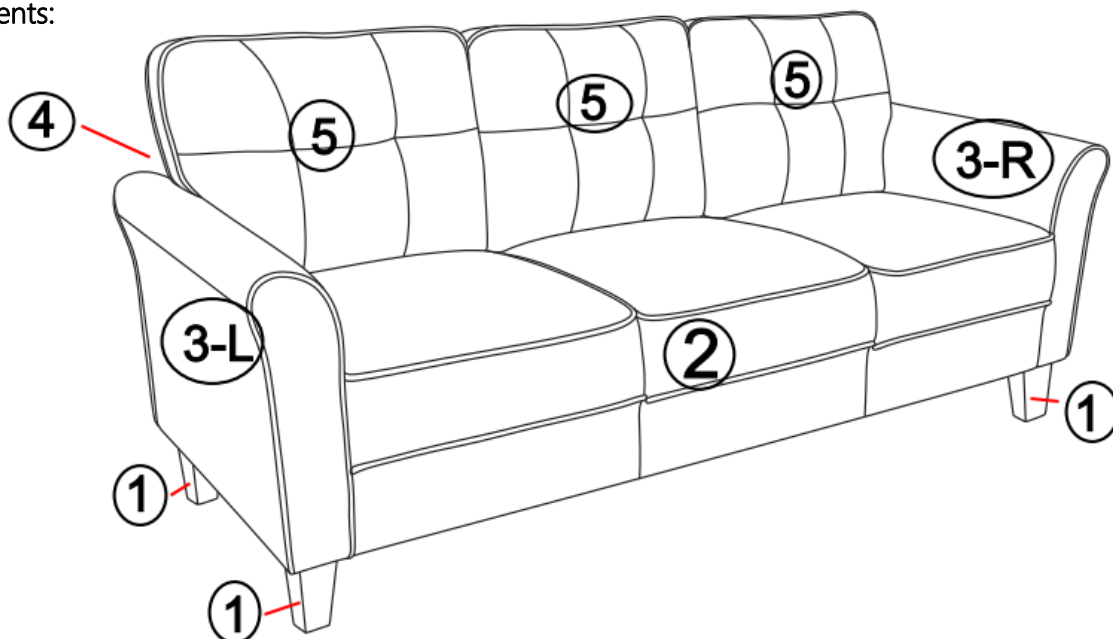
1. We suggest you spend a short time reading through this leaflet and then follow the simple step-by-step instructions.
2. Owing to the size and weight of the sofa, we recommend that it is assembled by two adults, on a carpeted or padded area, in the room that it is intended for. Approximate assembly time: 20 minutes.
3. Please do not use any tools other than those provided or recommended in these instructions.
4. Please do not throw away any of the packaging or the instruction until you have checked all the components and hardware and the furniture is fully assembled. Please ensure that the packaging is disposed of in a safe and environmentally friendly way.
5. Assemble all components loosely until advised to tighten. Depending on use, it may be necessary to tighten the components from time to time, so please save the tools that have been provided.
6. Please keep all pieces out of reach of children.
7. If you have any questions about the product: please send an email to our dedicated customer service email, and we will reply to your questions within 12 hours.



Hardware:

A.  Felt pad x4

Components:



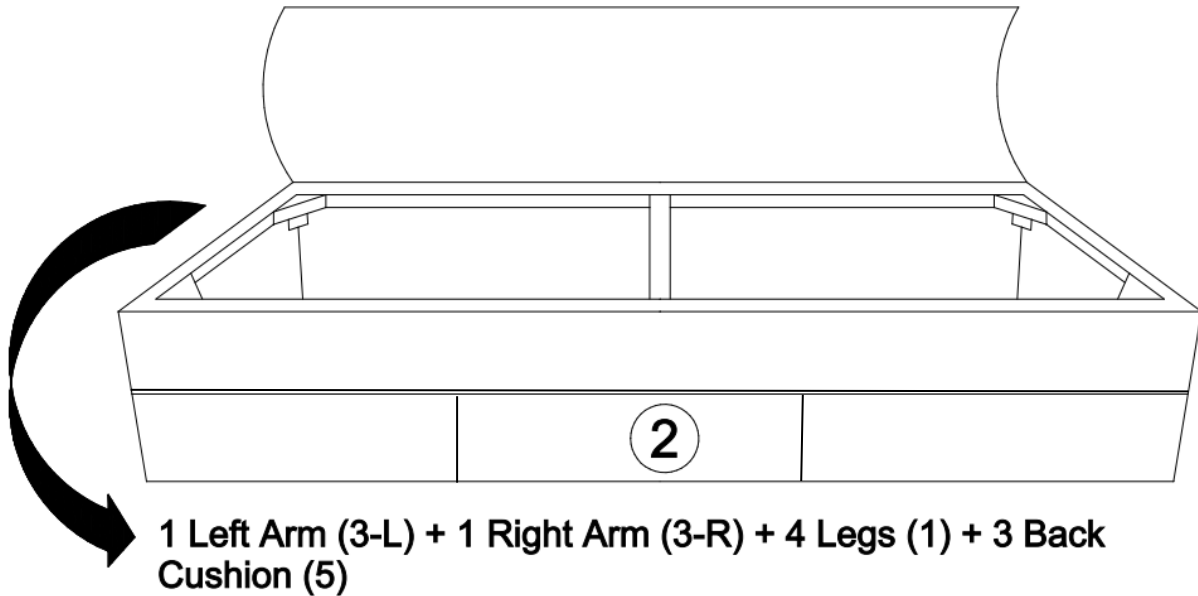
# YN-1308 SOFA

---

1. Legs x4    2. Seat Cushion x1    3-L. Left Arm x1    3-R. Right Arm x1  
4. Sofa Back x1    5. Back Cushion x3

## STEP 1:

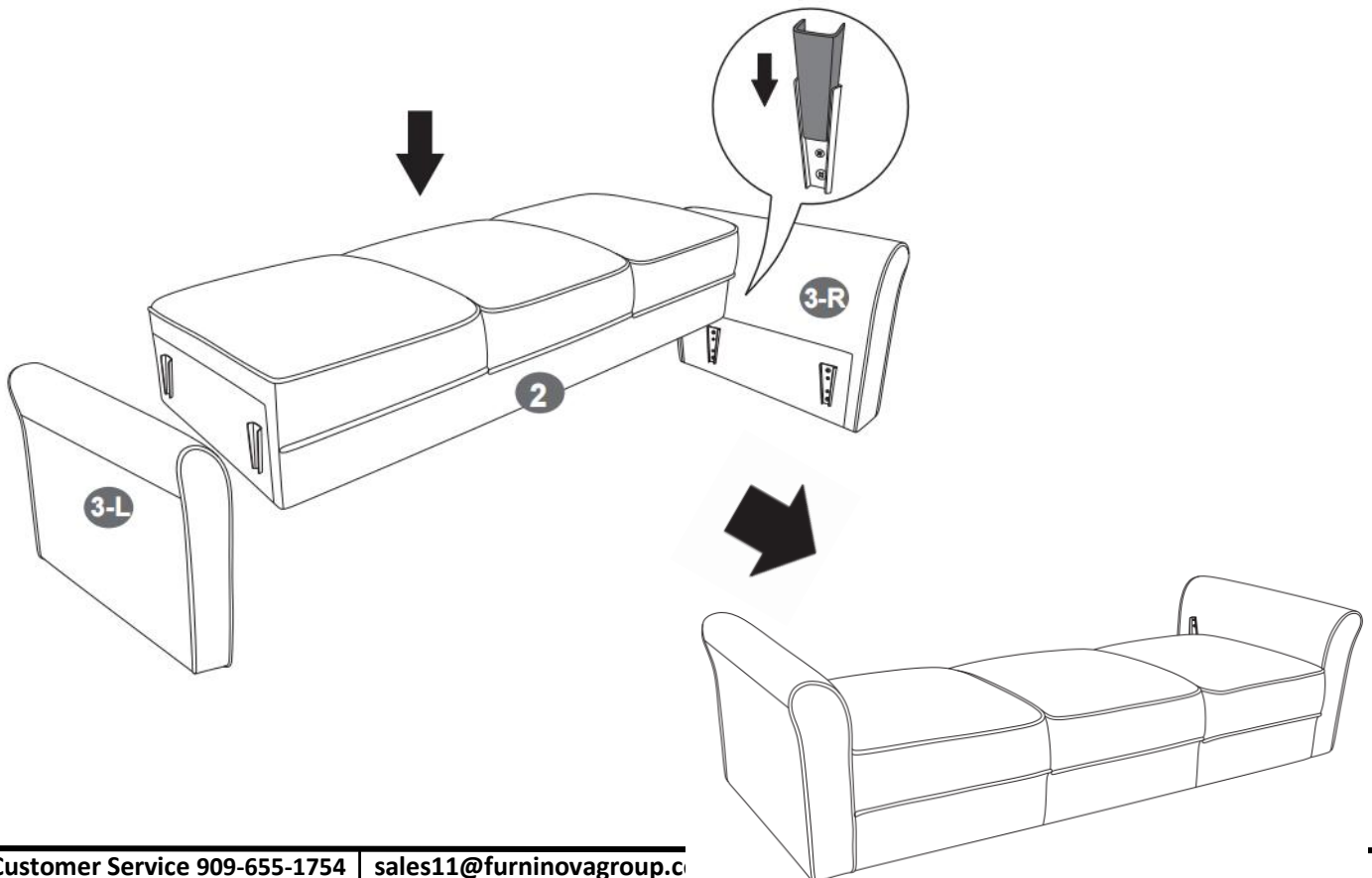
1. Please put **Sofa Seat (2)** upside down on a carpeted or padded surface.
2. Open the Velcro on the bottom of the **Sofa Seat (2)** and take out the 4 pieces of **Legs (1)**, 3 pieces of **Back Cushions (5)**, 1 pieces of **Left Arm (3-L)** and 1 pieces of **Right Arm (3-R)** .



---

## STEP 2:

1. Please carefully turn over **Sofa Seat (2)**.
2. Insert **Left Arm (3-L)** and **Right Arm (3-R)** to **Sofa Seat (2)** by using the pre-installed Clips on **Sofa Seat (2)**, **Left Arm (3-L)** and **Right Arm (3-R)** to lock each other as shown.

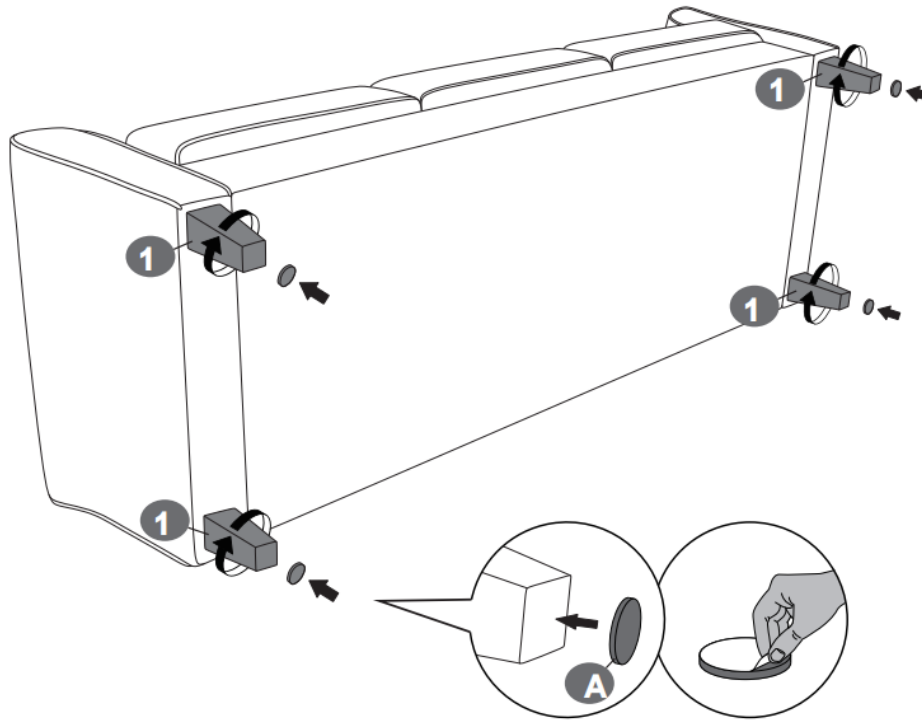


# YN-1308 SOFA

---

## STEP 3:

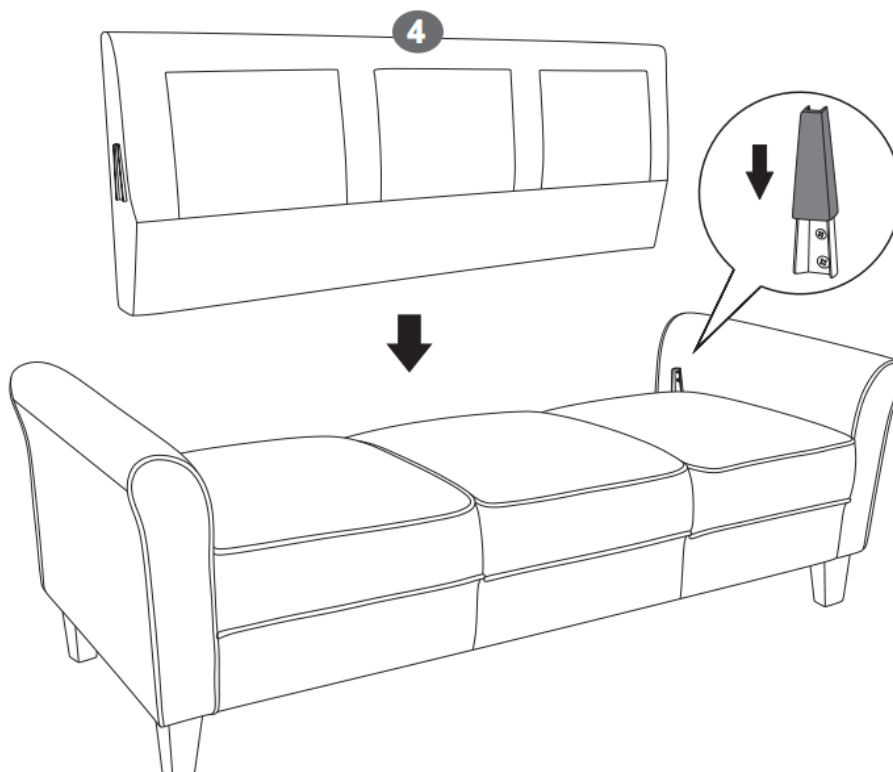
1. Tighten 4 pieces of **Legs (1)** to the front bottom of the **Sofa Seat (2)** clockwise as shown by hand..
2. Stick 4 pieces of the Felt Pads (**A**) to the bottom of the **Legs (1)**



---

## STEP 4:

1. Place **Sofa Back (4)** to the assembled **Sofa Seat (2)**, **Left Arm (3-L)** and **Right Arm (3-R)** as shown.
2. Insert **Sofa Back (4)** to **Left Arm (3-L)** and **Right Arm (3-R)** by using the pre-installed Clips on **Left Arm (3-L)**, **Right Arm (3-R)** and **Sofa Back (4)** to lock each other as shown.

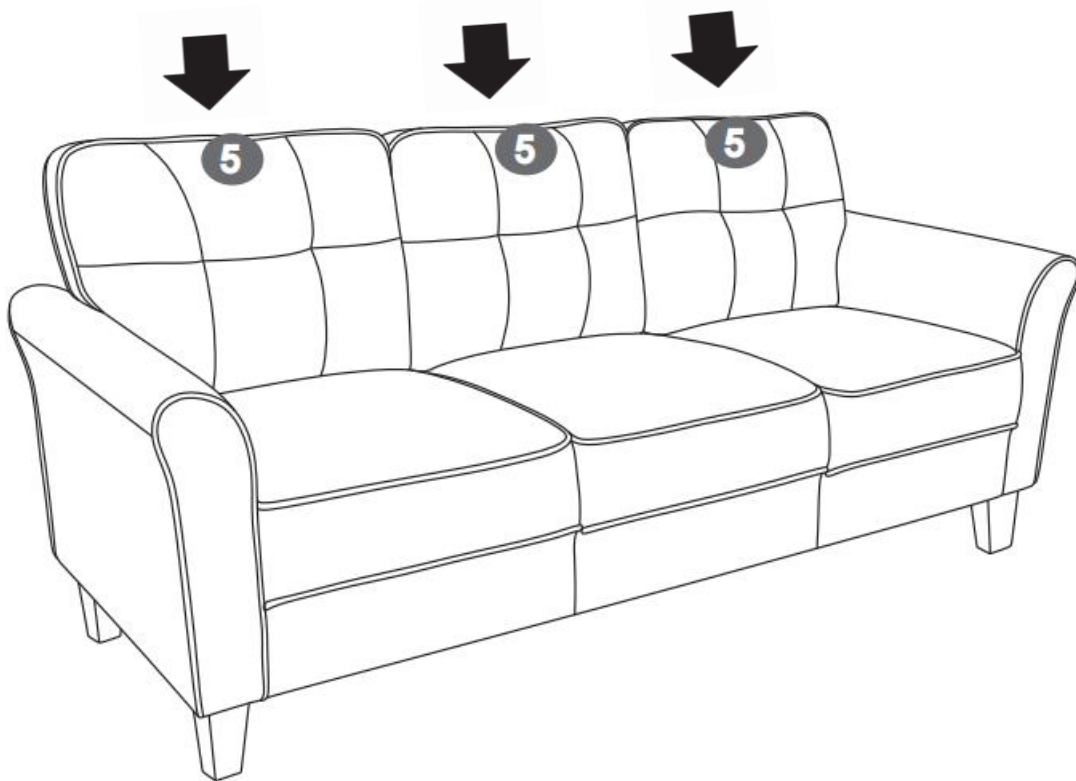


## YN-1308 SOFA

---

### STEP 5

Carefully put 3 pieces of **Back Cushion (5)** to the assembled **Sofa Seat (2)**, **Left Arm (3-L)**, **Right Arm (3-R)** and **Sofa Back (4)** as shown.



---

Thank you for the assembly. The assembly is complete. Your sofa is ready to enjoy now -- From FDL

