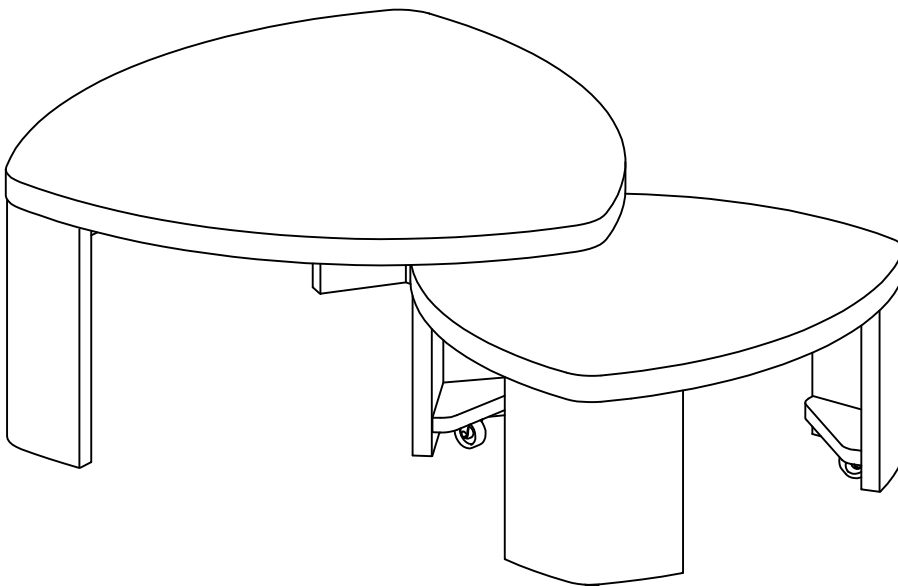


ASSEMBLY INSTRUCTIONS

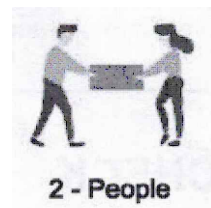
TOOLS REQUIRED



Screwdriver
(Not Included)



Allen Wrench
(Included)

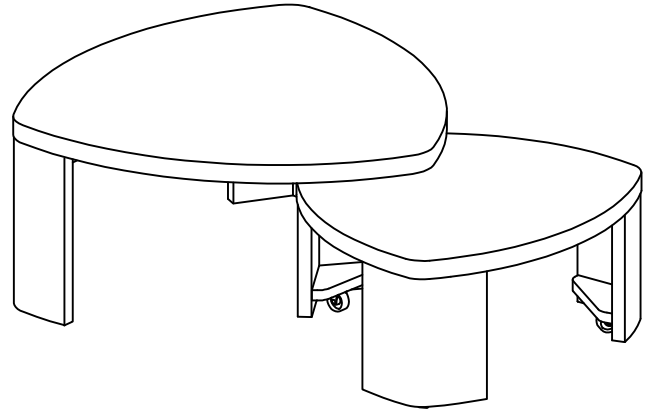


Enjoying this product? We'd love your 5-star review!

If you have any issues, our support team are happy to help.

Thank you for your purchase!

CONTACT US!



CHECK BEFORE STARTING

Are you missing anything?

Please double check all hardware and parts match the assembly guide before putting the product together. If damaged, we suggest you put the item back in the box and start your claim or return

Should we send any replacements?

If there are any manufacturer defects or missing pieces please contact us for replacements. If purchased online, please contact the website of where you purchased it from, DIRECTLY

IMPORTANT INFO before assembly:

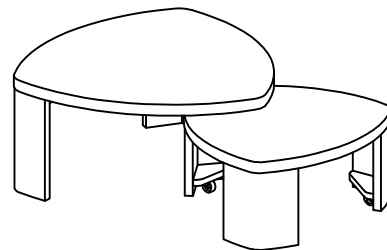
- If there's a problem with the parts do not attempt to assemble the product
- Place all parts on a clean and smooth surface such as a rug/carpet to avoid parts from being scratched
- When tightening screws to product do not overtighten until product is fully setup
- If product is too heavy for a single person to carry do not attempt and ask for assistance
- DO NOT DRAG or PUSH item to desired location. Must be carried when moving
- If item is not working as intended please review the assembly guide to see if any steps were missed or incorrectly built. If there's a problem with part please contact seller for additional assistance
- Please keep all hardware and small parts away from pets/infants
- Please wear gloves or protective gear to protect from getting cuts
- It is normal for new furniture to have an off gassing smell. Please air out furniture near a window for a few hours or a day before placing it in its desired location
- All products may have a slight color and texture variation due to different shipments, natural materials, screen-resolutions, or lighting in home. Images are rendered by different devices or websites

Stacked Cocktail Table

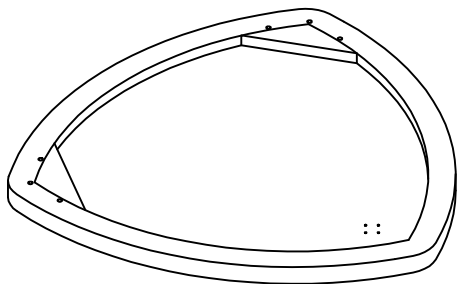
Please keep instructions for future reference

Check the quantity and irregularity of parts and hardware before you start

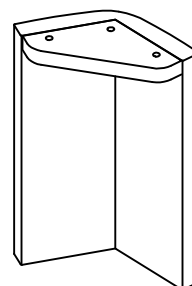
If assembly guide is misplaced, please visit our website for a copy



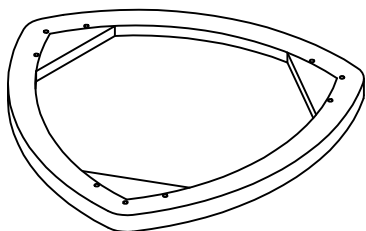
Part List



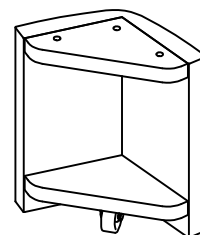
A.
Table top (large)
1pc.



B.
Long leg
2pcs.

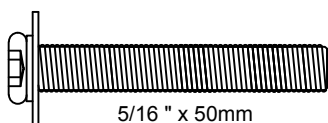


C.
Table top (small)
1pc.



D.
Short leg
3pcs.

Hard ware List



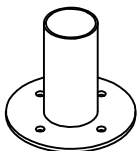
5/16 " x 50mm
Bolt
15pcs.



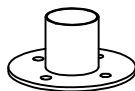
4mm
Hex Wrench
1pc.



4x15mm
Screw
8pcs.



Ø60x53mm
Male Round Tube
1pc.



Ø60x27mm
Female Round Tube
1pc.



Ø20x3mm
Felt Pad
6pcs.

If any parts/hardware listed are damaged or missing
Please contact the seller for additional assistance

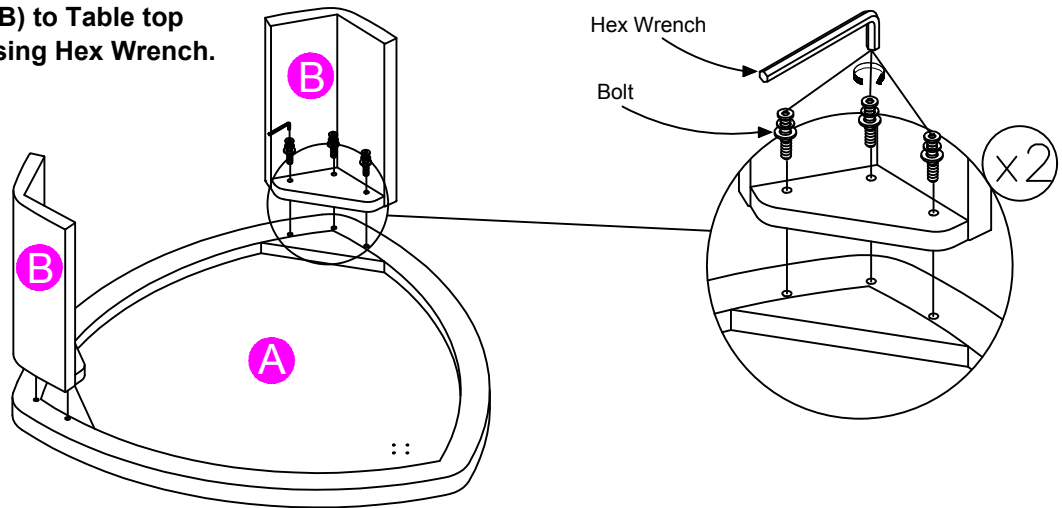
ASSEMBLY INSTRUCTIONS

IMPORTANT

- *Please keep Hex Wrench in a safe place as you may need to tighten up the Bolts in the future
- *Use a soft cloth between these parts and floor.

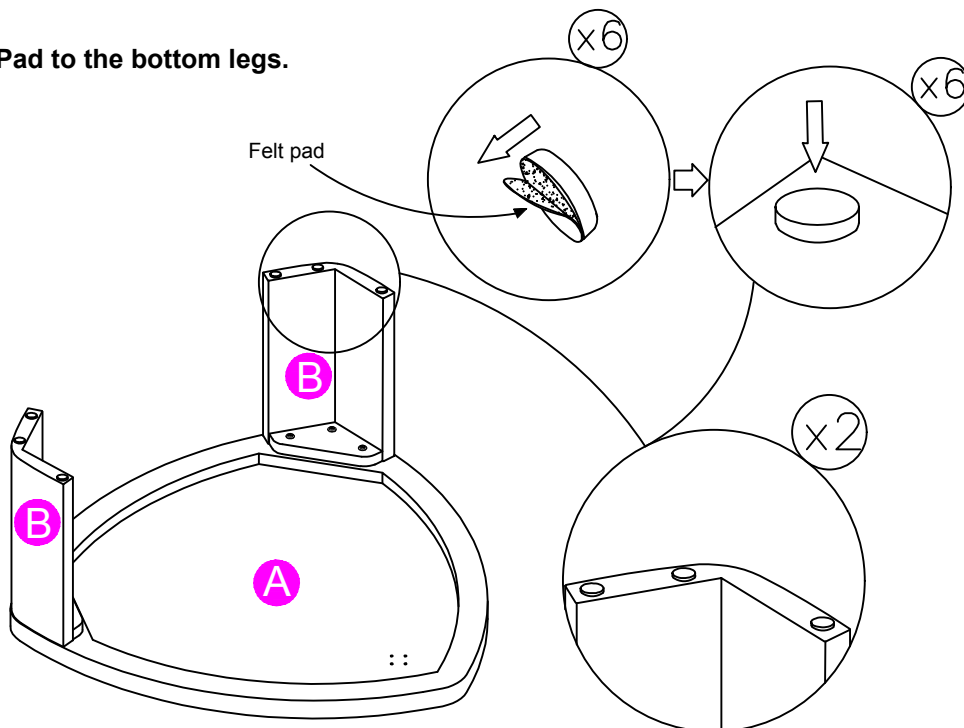
Step 1

Attach 2 Long legs (B) to Table top large (A) with Bolt using Hex Wrench.



Step 2

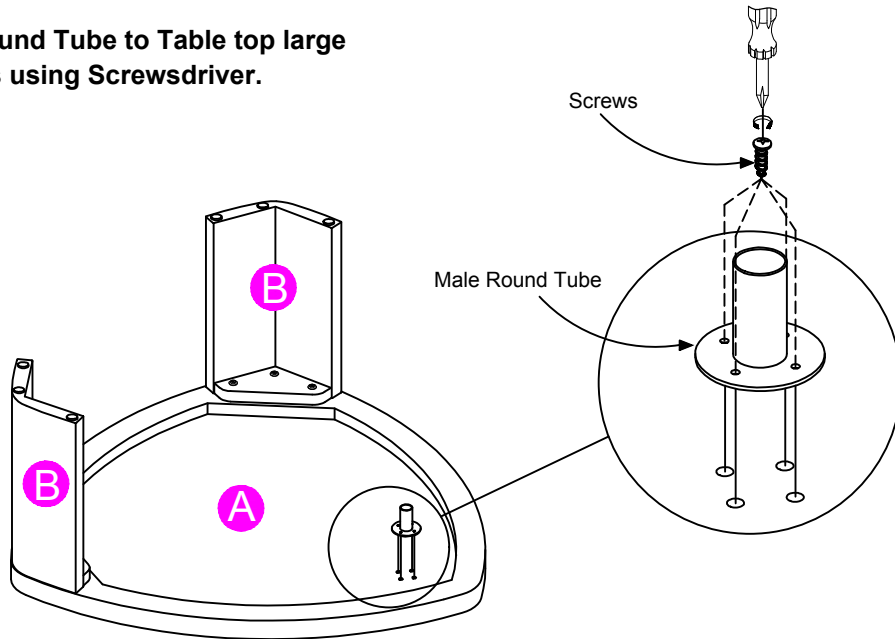
Firmly apply Felt Pad to the bottom legs.



ASSEMBLY INSTRUCTIONS

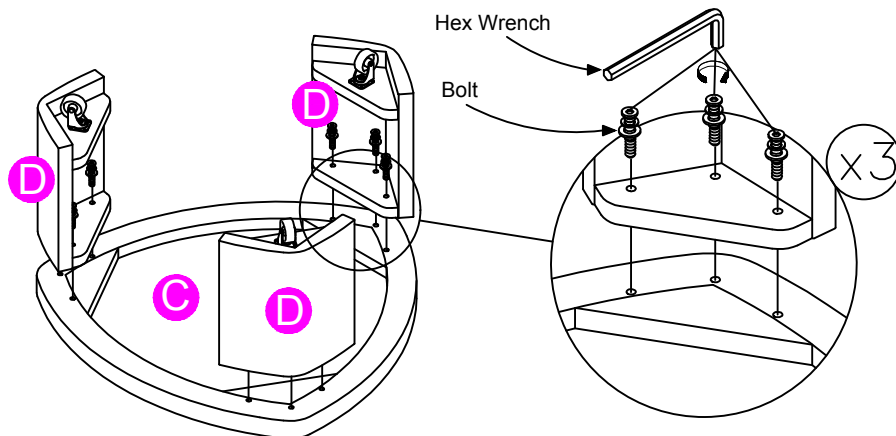
Step 3

Attach Male Round Tube to Table top large (A) with Screws using Screwsdriver.



Step 4

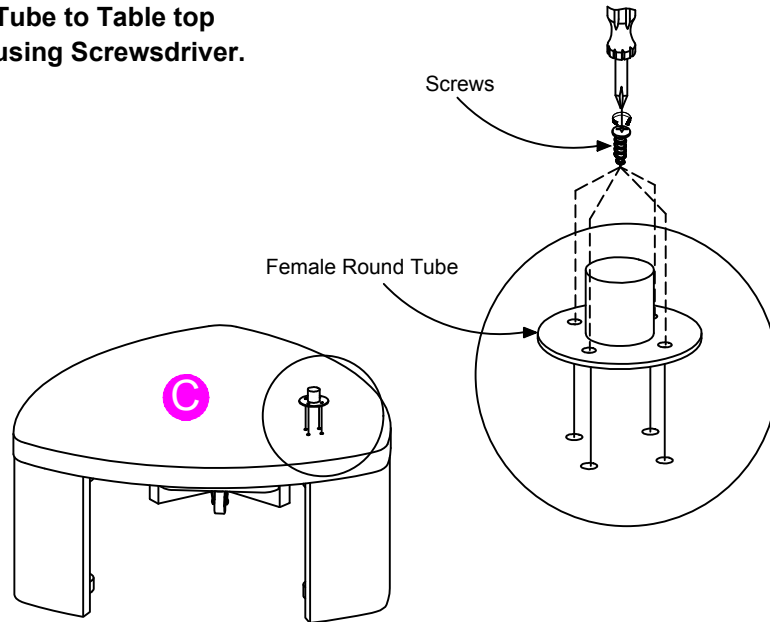
Attach 3 Short legs (D) to Table top small (C) with Bolt using Hex Wrench.



ASSEMBLY INSTRUCTIONS

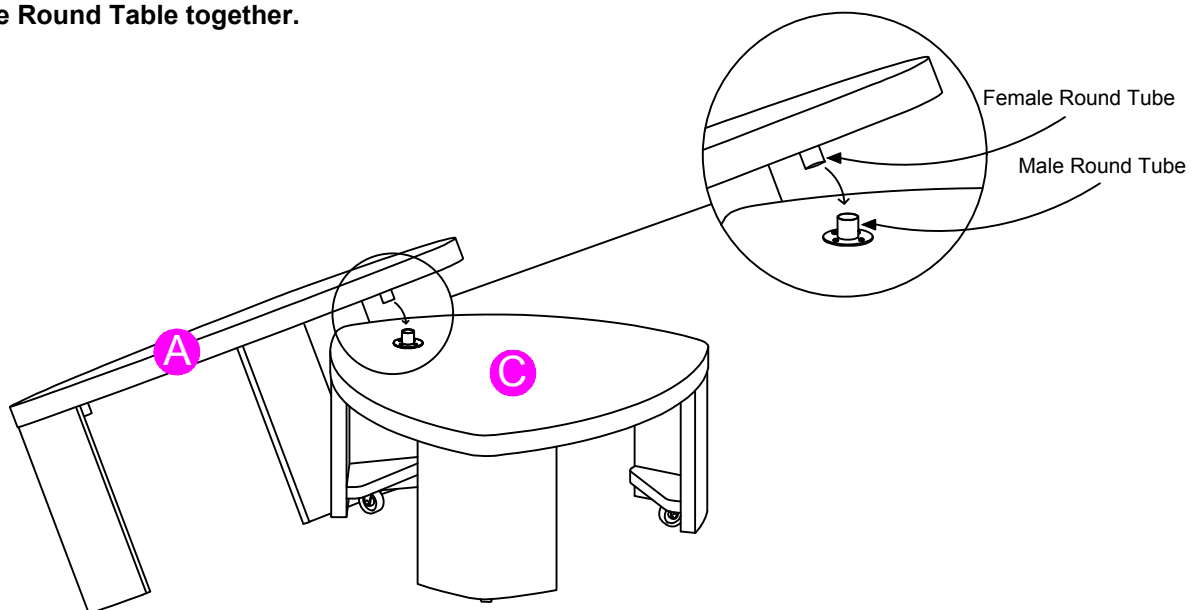
Step 5

Attach Female Round Tube to Table top small (C) with Screws using Screwsdriver.



Step 6

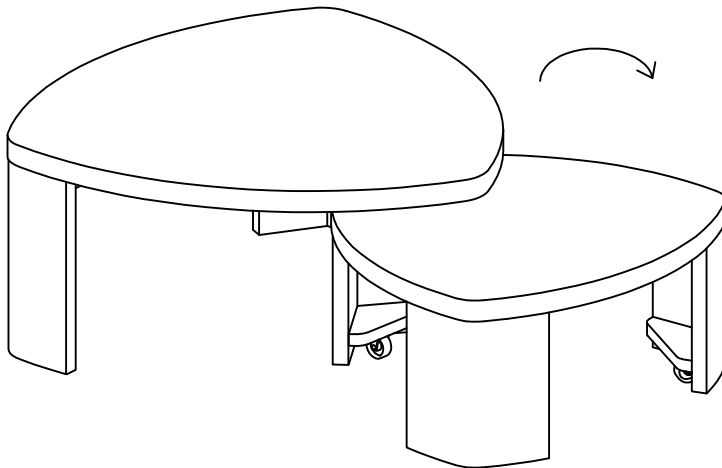
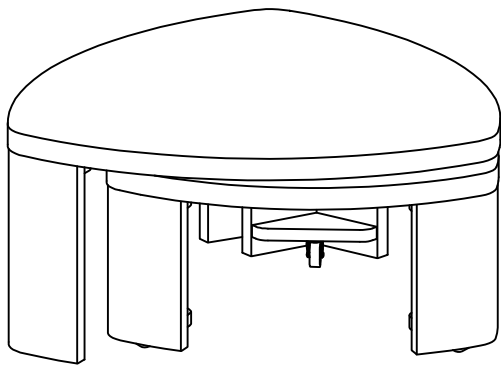
Connect Male Round Tube with Female Round Table together.



ASSEMBLY INSTRUCTIONS

Step 7

Assembly completed.



ASSEMBLY COMPLETED

Please ensure the furniture rests on an even and flat surface. If the product wobbles or feels loose, double check all bolts and/or screws are properly tightened and secured.



Keep this handy!

Please retain this instruction manual and any order-related information for future reference.



Lift, don't drag!

To avoid damage to product please always LIFT the product when transporting or adjusting the placement.

This product is intended for RESIDENTIAL USE ONLY and not for commercial use.