

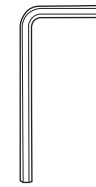
Installation Guide



Installation Guide



*8



*1



*42



*1



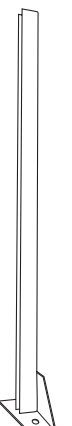
*2



*2

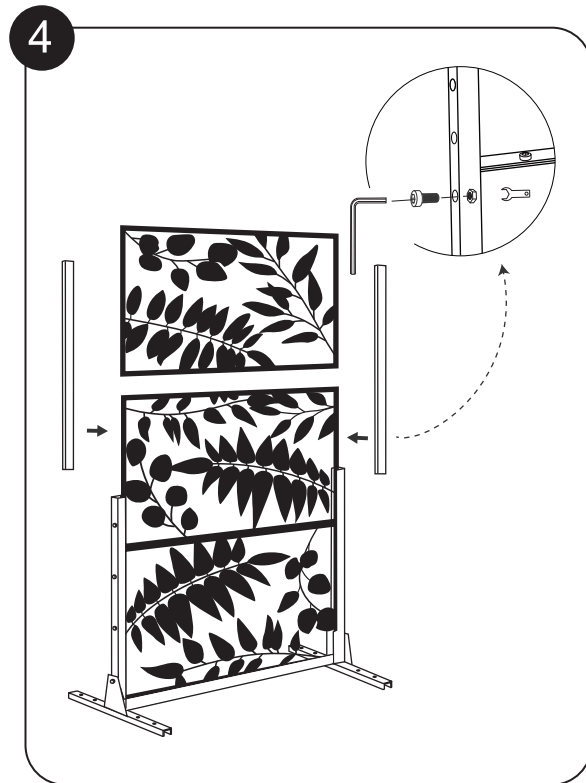
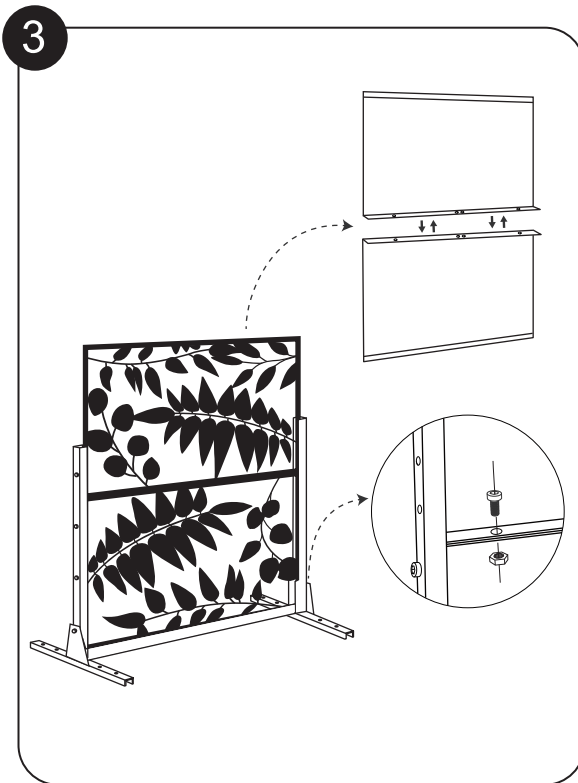
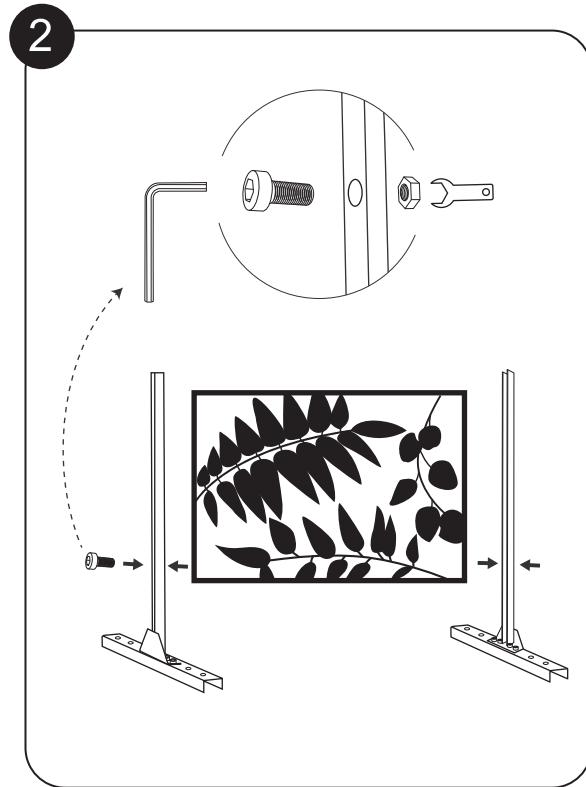
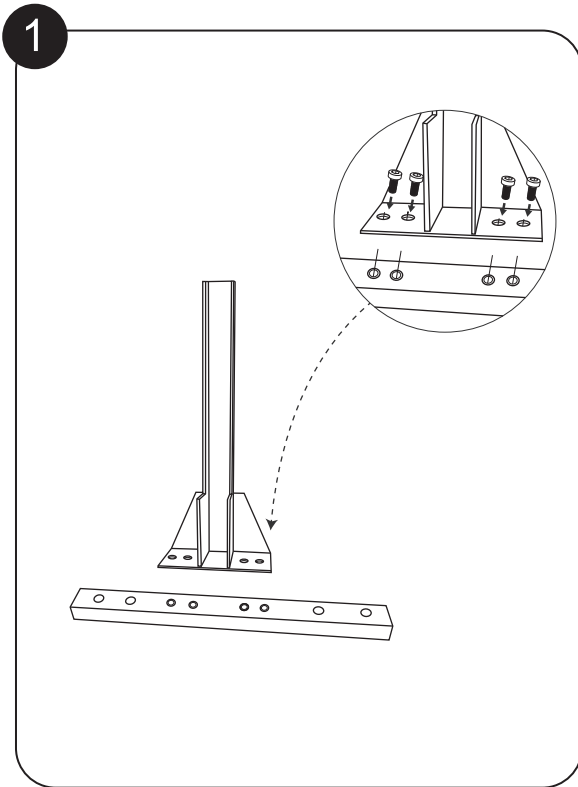


*2

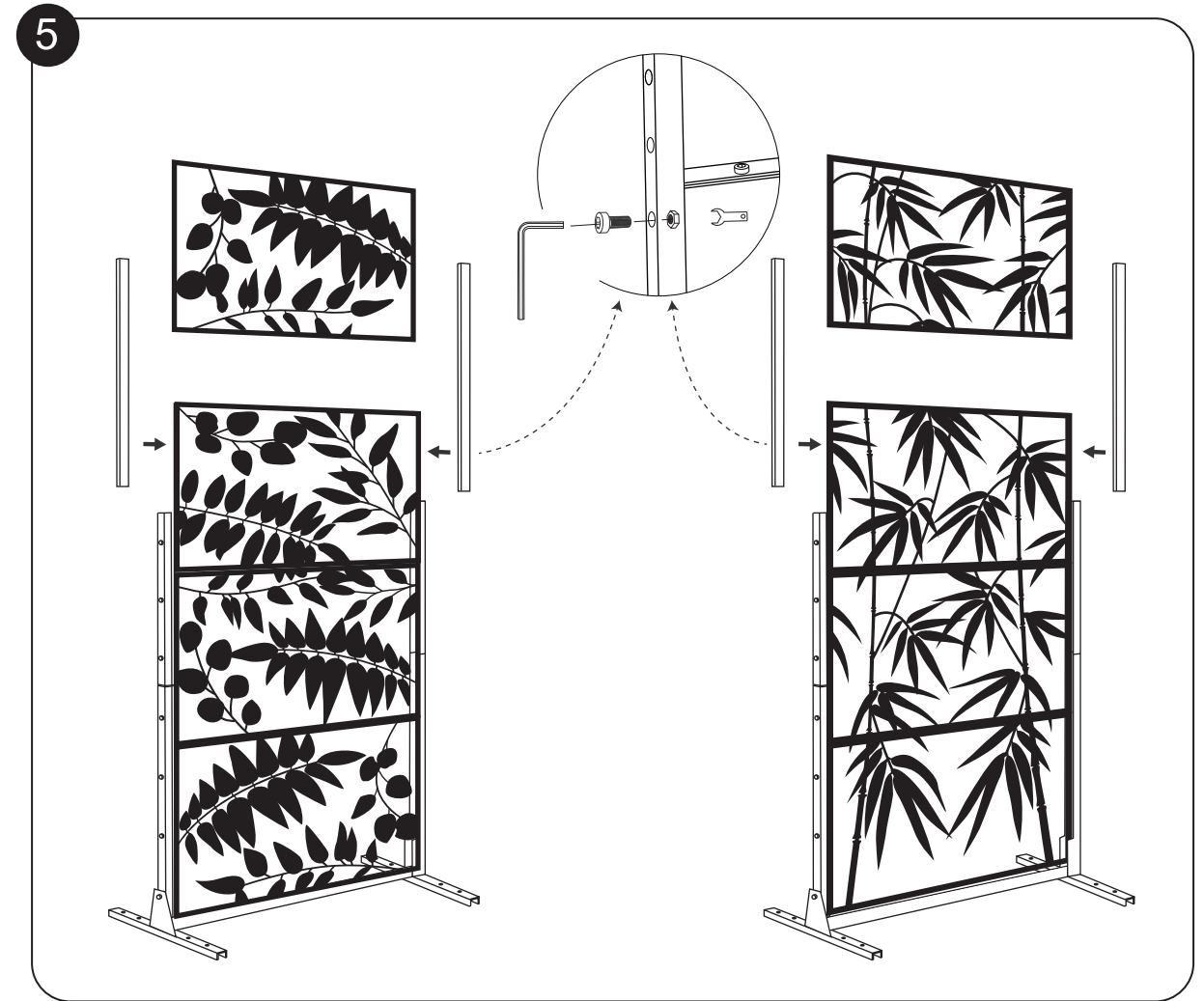


*2

Installation Guide



Installation Guide



Use Hex-Head Sleeve Anchors to fix the privacy screen on solid ground if necessary.

