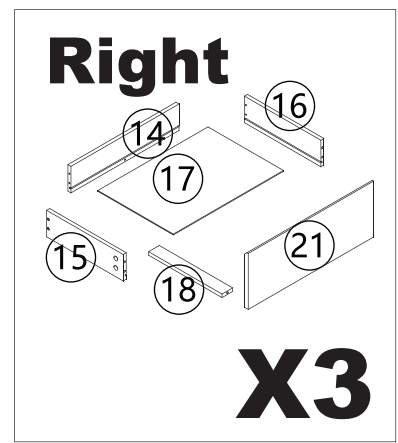
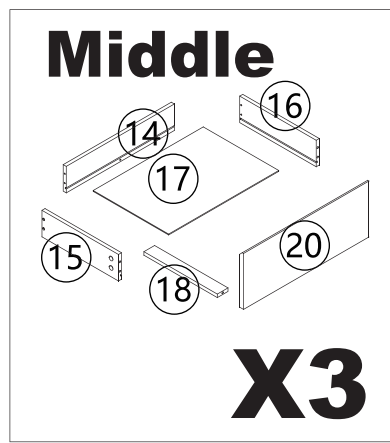
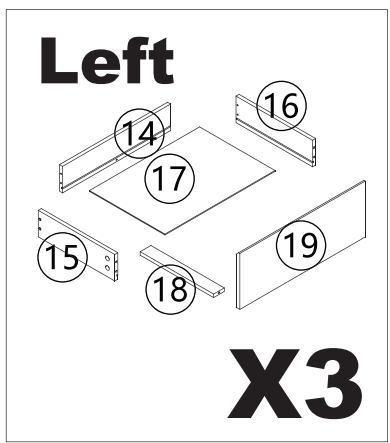
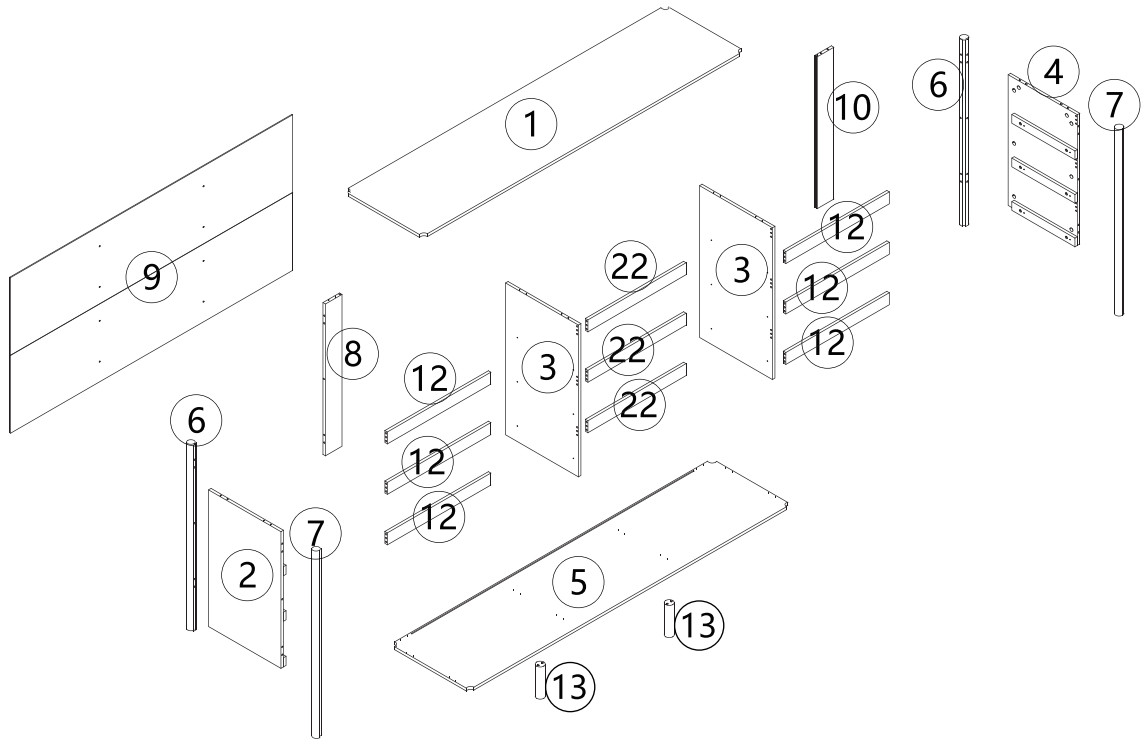
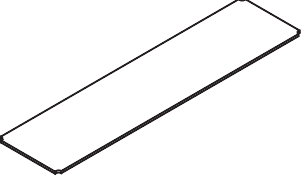
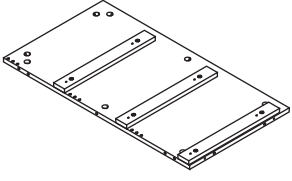

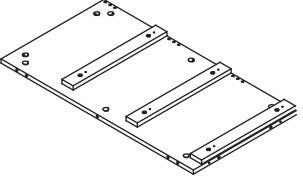
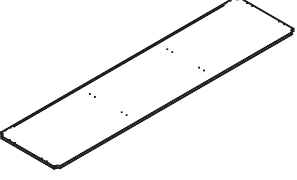
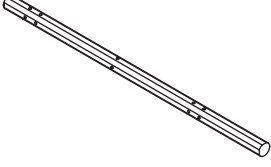
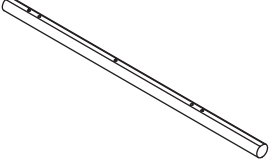
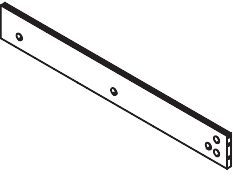
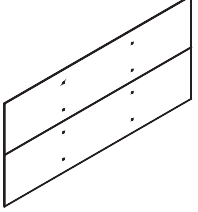
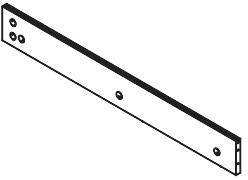
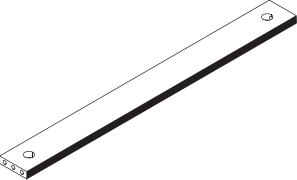

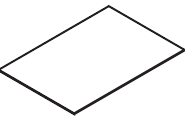
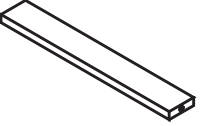
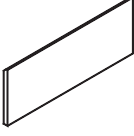
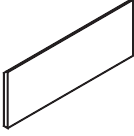
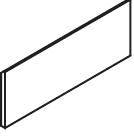
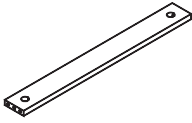
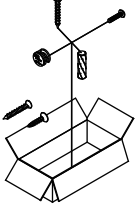
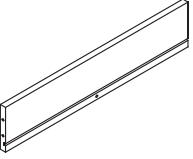
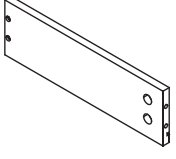
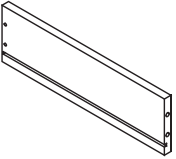



Installation instructions

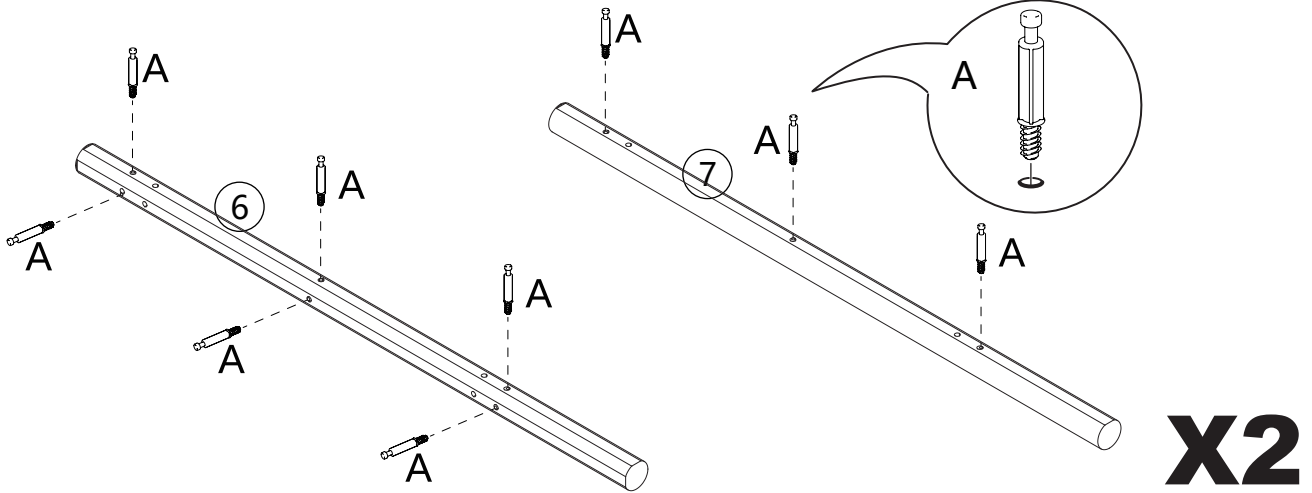


A	X 93	B	X 93	C	X 40	D	X 63	E	X 4	F	X 6	G	X 6
M6*35		φ15*10		φ8*30		M4*35		φ25*3		M3*14			
H	X 8	I	X 72	J	X 12	K	X 2	L	X 10	M	X 2	N	X 2
M4*20		M3*12		φ8*50				M4*12					
CL	X 9	CR	X 9	DL	X 9	DR	X 9						



<p>1</p>  <p>x1</p>	<p>2</p>  <p>x1</p>	<p>3</p>  <p>x2</p>	
<p>4</p>  <p>x1</p>	<p>5</p>  <p>x1</p>	<p>6</p>  <p>x2</p>	
<p>7</p>  <p>x2</p>	<p>8</p>  <p>x1</p>	<p>9</p>  <p>x1</p>	
<p>10</p>  <p>x1</p>	<p>12</p>  <p>x6</p>	<p>13</p>  <p>x2</p>	
<p>17</p>  <p>x9</p>	<p>18</p>  <p>x9</p>	<p>19</p>  <p>Left x3</p>	
<p>20</p>  <p>Middle x3</p>	<p>21</p>  <p>Right x3</p>	<p>22</p>  <p>x3</p>	<p>AccessoryCase</p>  <p>x1</p>
<p>14</p>  <p>x9</p>	<p>15</p>  <p>x9</p>	<p>16</p>  <p>x9</p>	

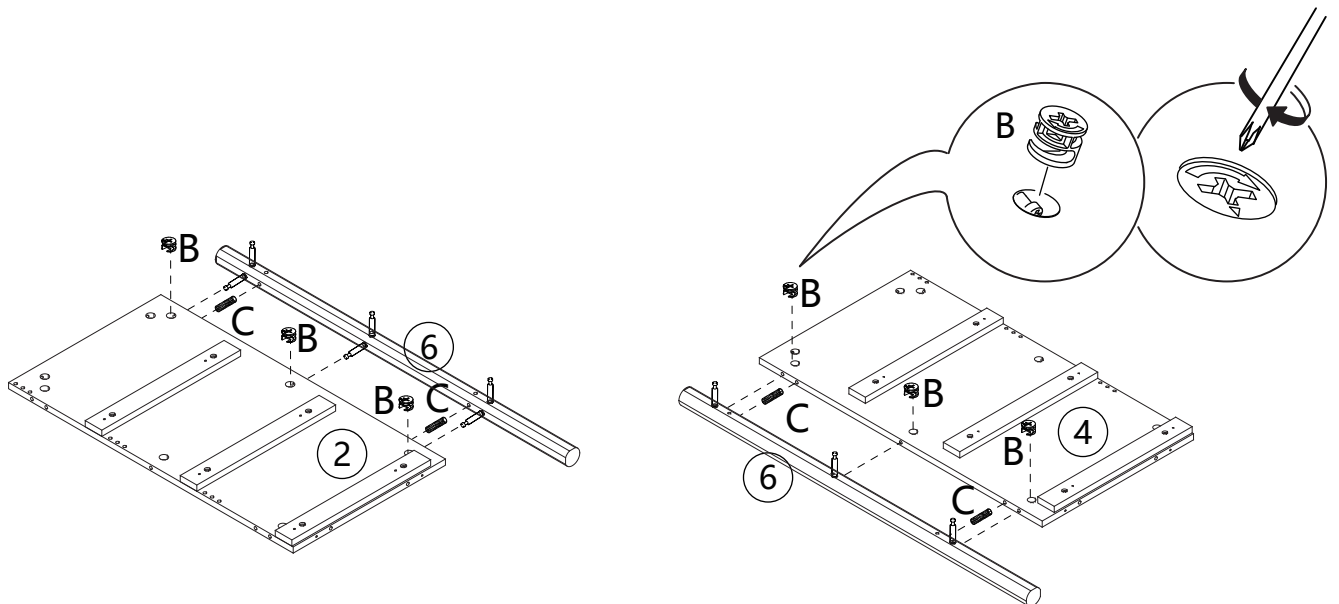
STEP1

A	X 18
	
M6*35	




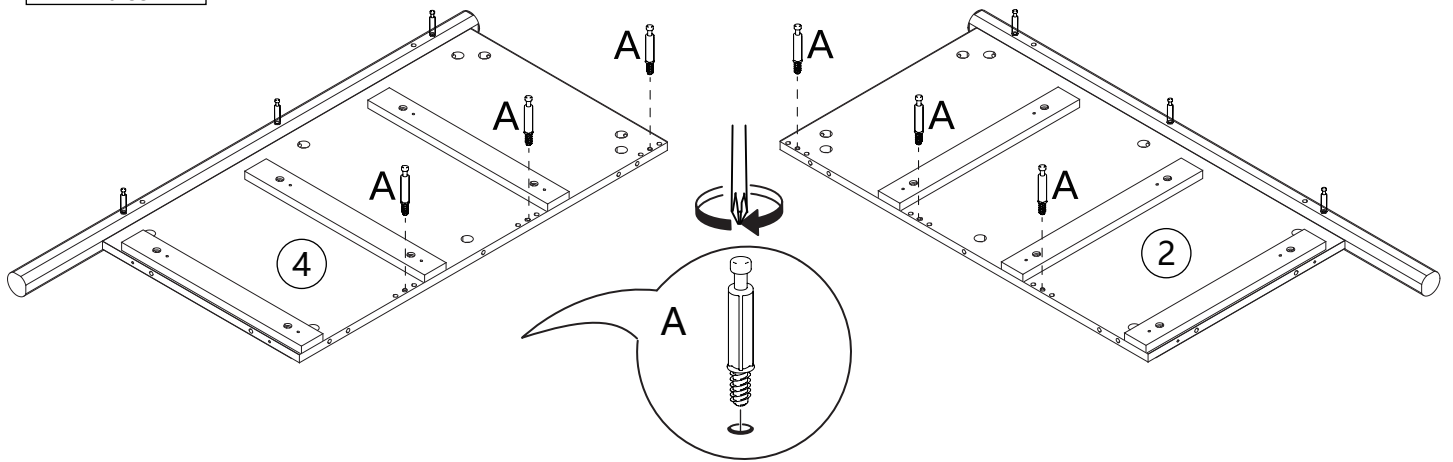
STEP2

B	X 6	C	X 4
			
$\phi 15*10$		$\phi 8*30$	







STEP3

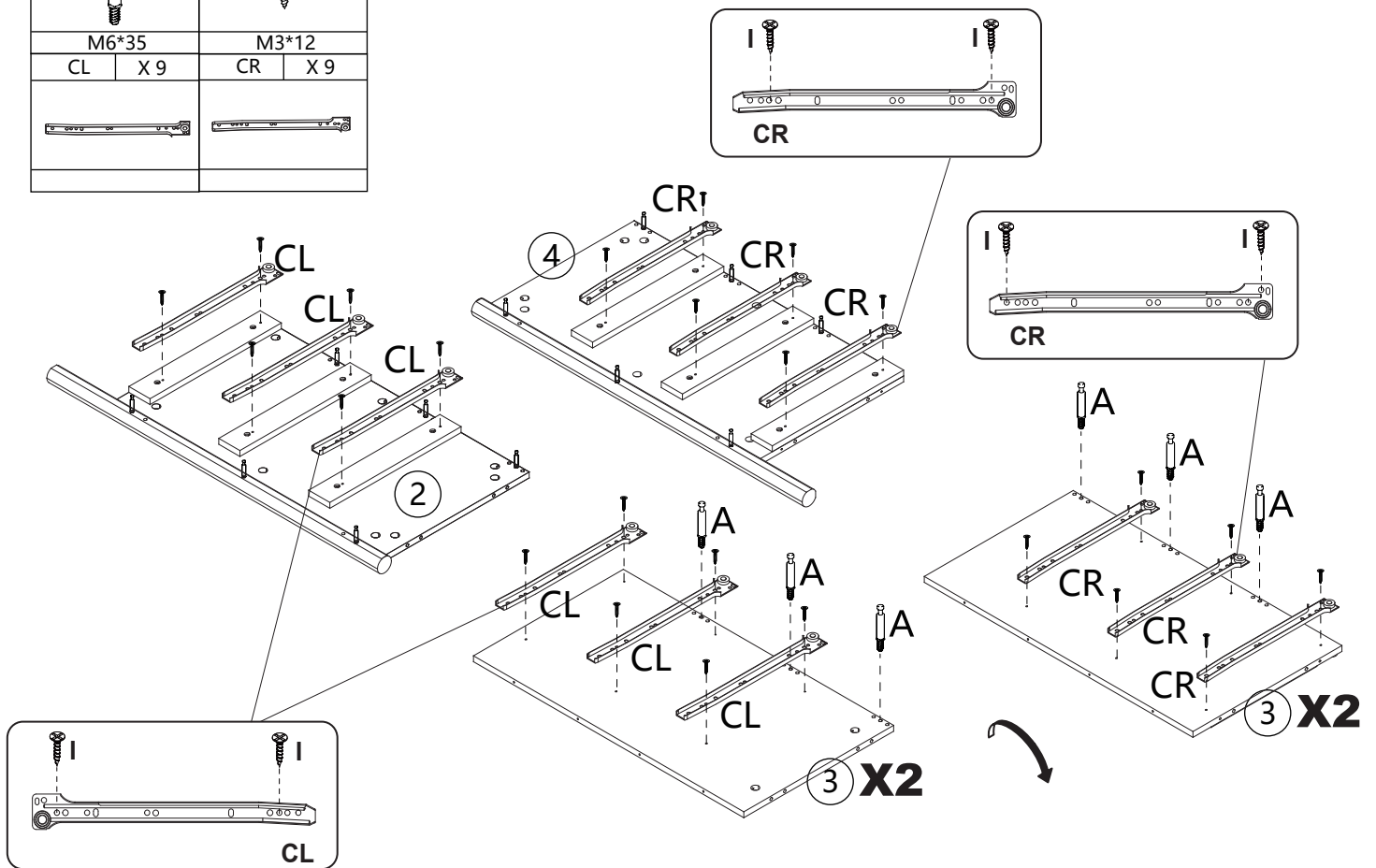
A	X 6
	
M6*35	



STEP4

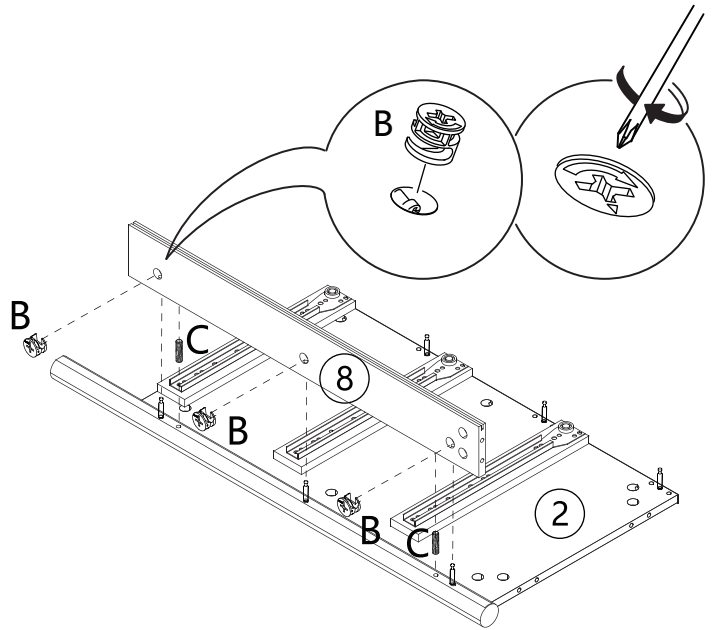
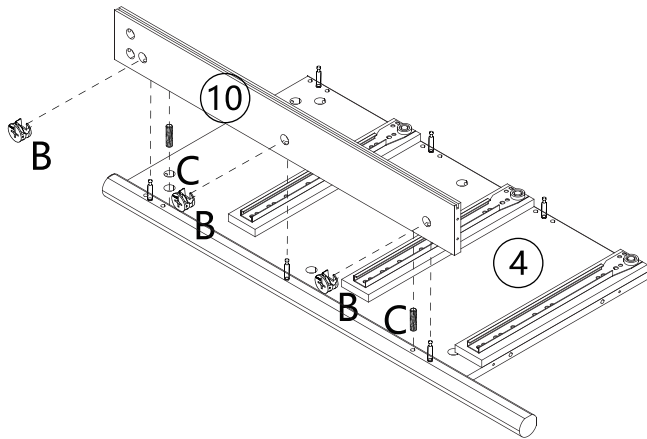
A	X 12	I	X 36
			
M6*35		M3*12	
CL	X 9	CR	X 9
			

Please note: In Step 4, Panel 3 needs to be rotated 180° as shown. This product includes two #3 panels.



STEP5

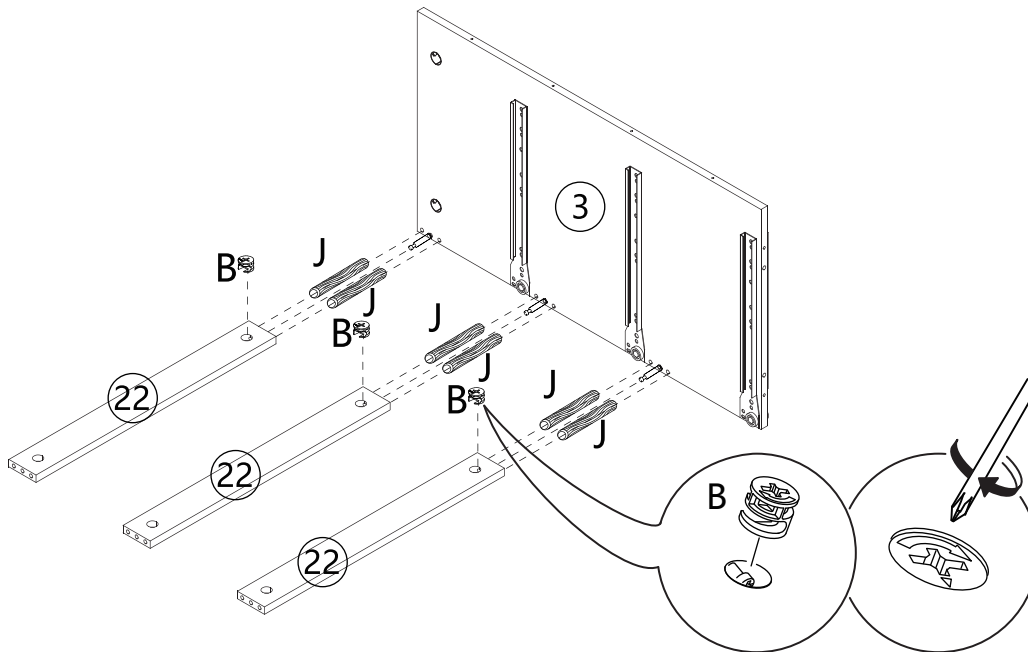
B	X 6	C	X 4
$\phi 15 \times 10$		$\phi 8 \times 30$	





STEP6

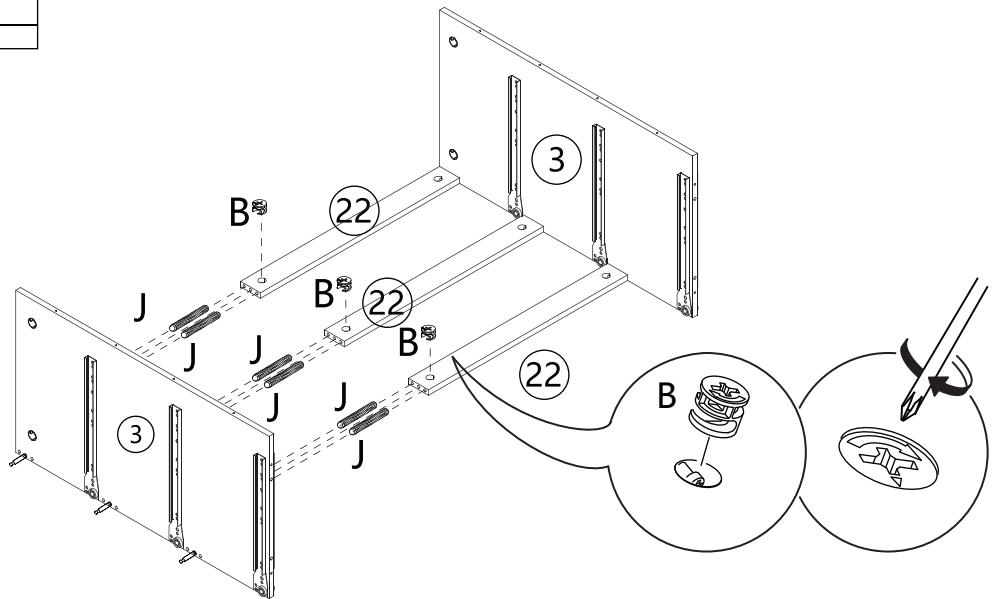
B	X 3	J	X 6
$\phi 15 \times 10$		$\phi 8 \times 50$	

For part #3, insert the J piece into the middle position of the hole, ensuring it is visible.




STEP7

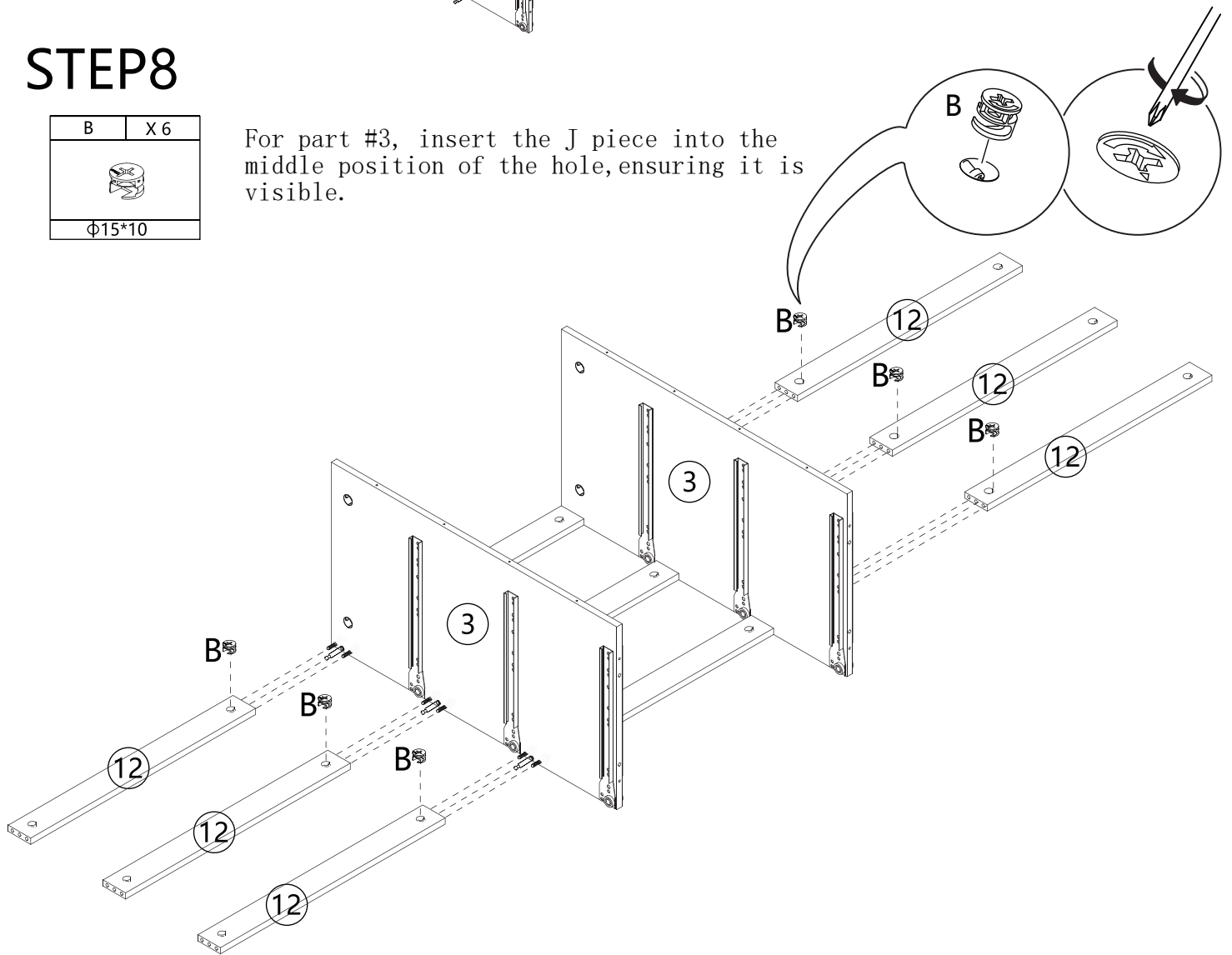
B	X 3	J	X 6
			
Φ15*10		Φ8*50	





STEP8

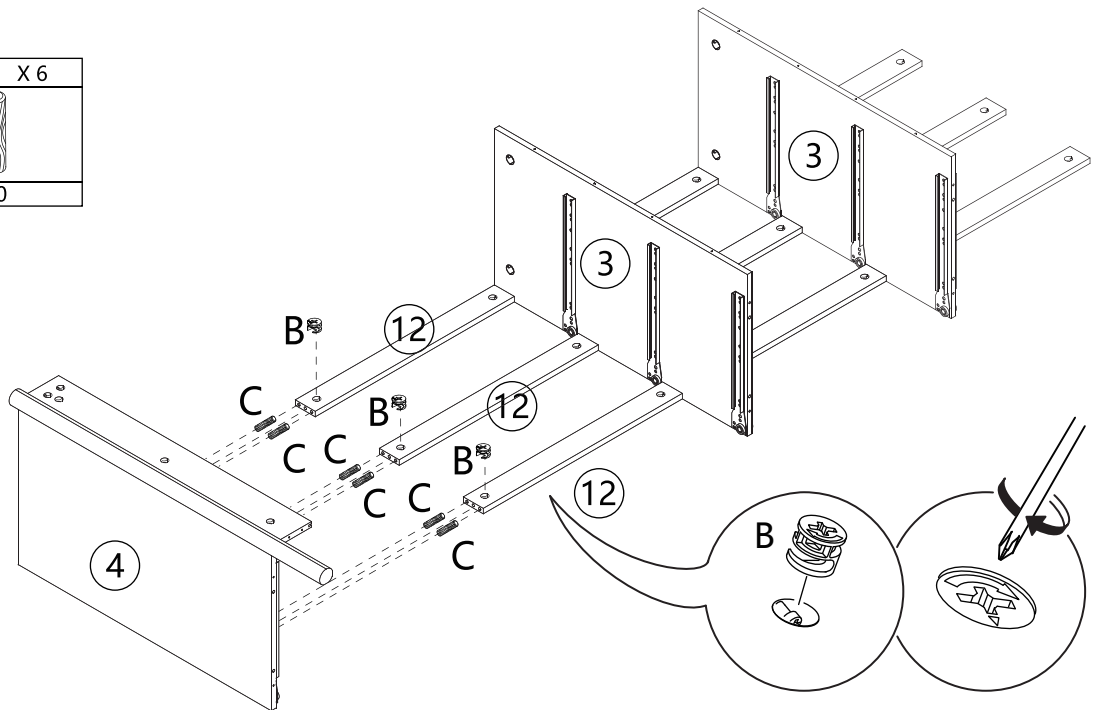
B	X 6
	
Φ15*10	

For part #3, insert the J piece into the middle position of the hole, ensuring it is visible.





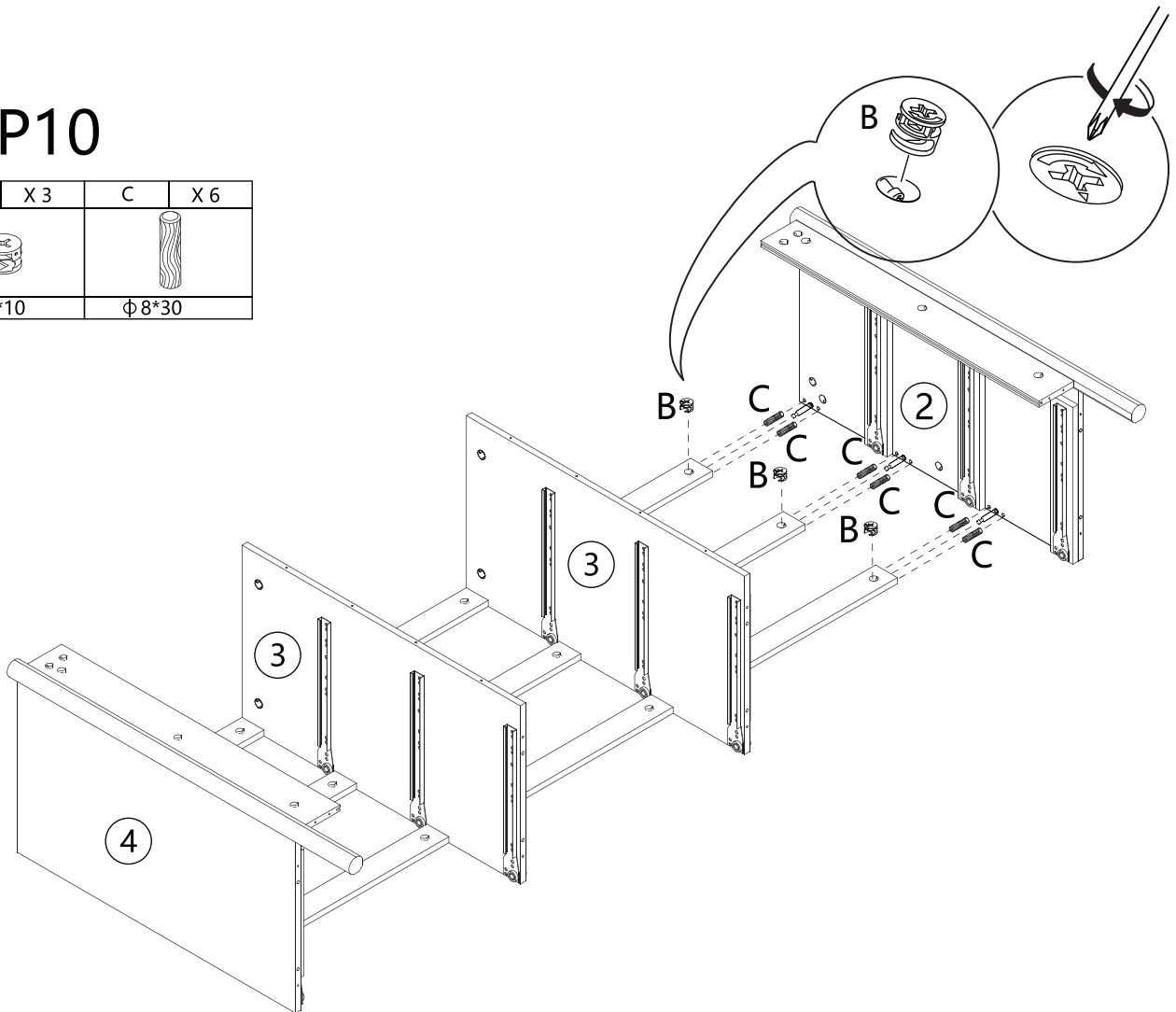
STEP 9

B	X 3	C	X 6
			
$\phi 15 \times 10$		$\phi 8 \times 30$	




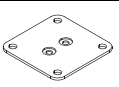


STEP 10

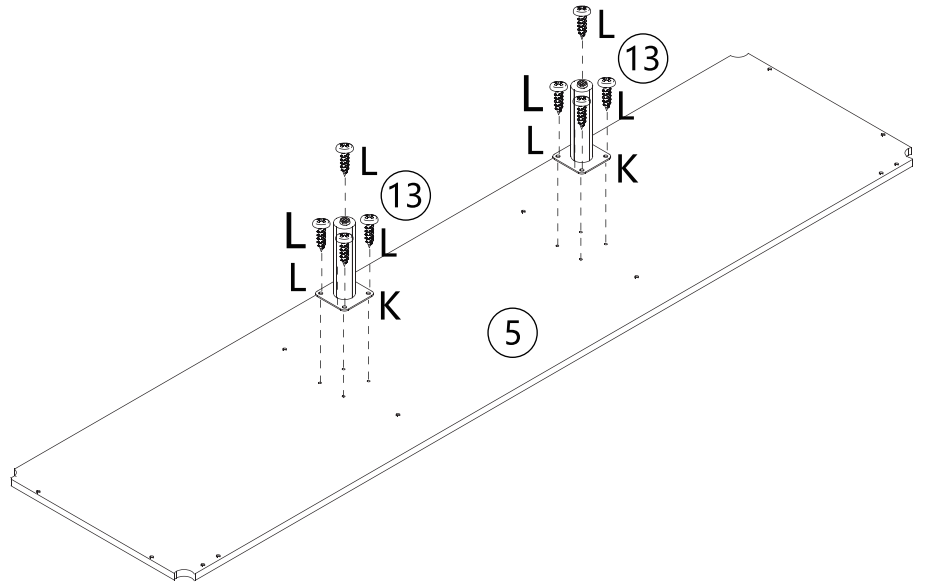
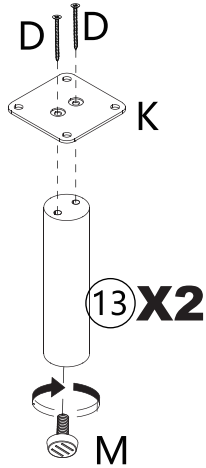
B	X 3	C	X 6
			
$\phi 15 \times 10$		$\phi 8 \times 30$	





STEP 11

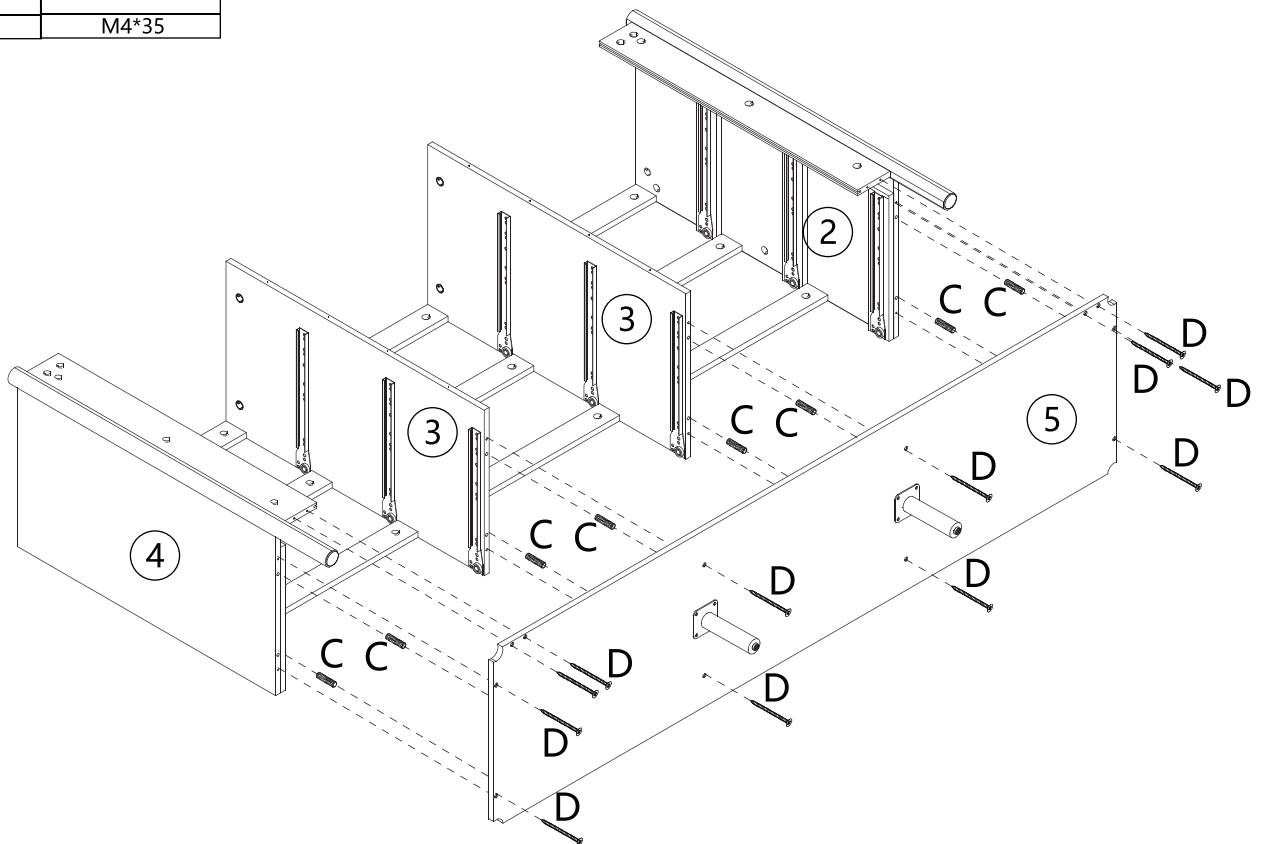
First, install leg #13 according to the steps. Then, turn leg #13 upward and secure the bottom plate K with screw L.

D	X 4	K	X 2
			
M4*35			
L	X 8	M	X 2
			
M4*12			

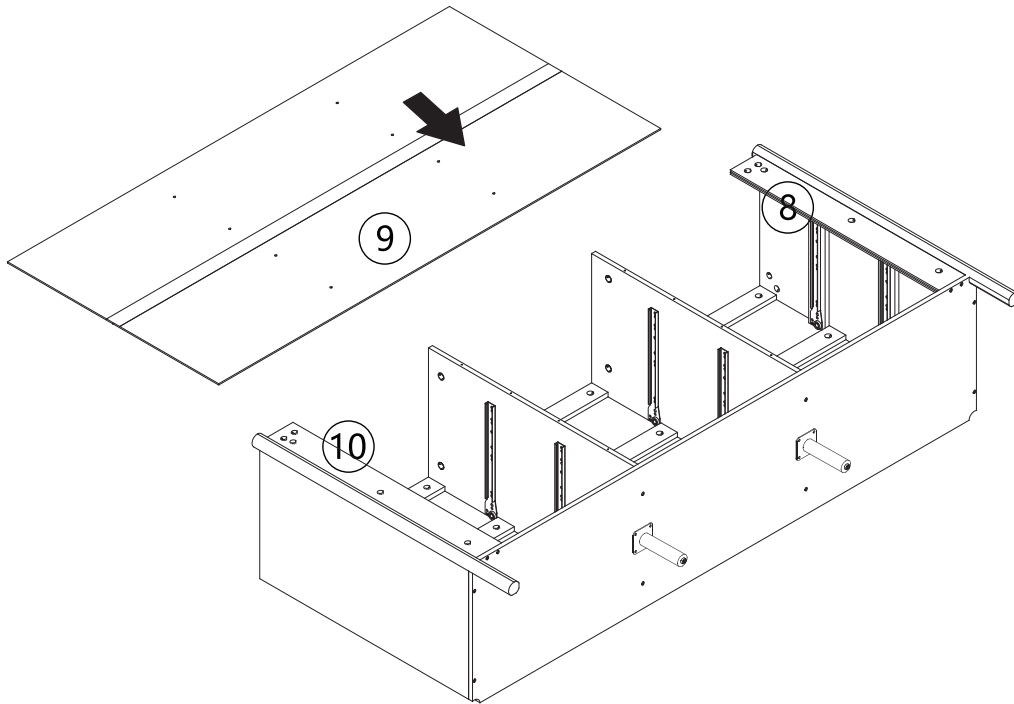


STEP 12

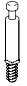
C	X 8	D	X 12
			
Φ 8*30		M4*35	

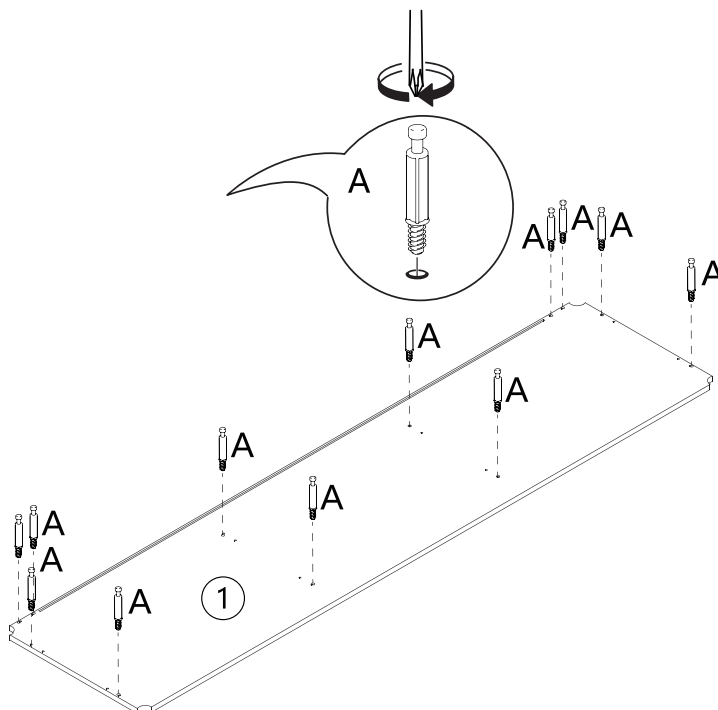


STEP13





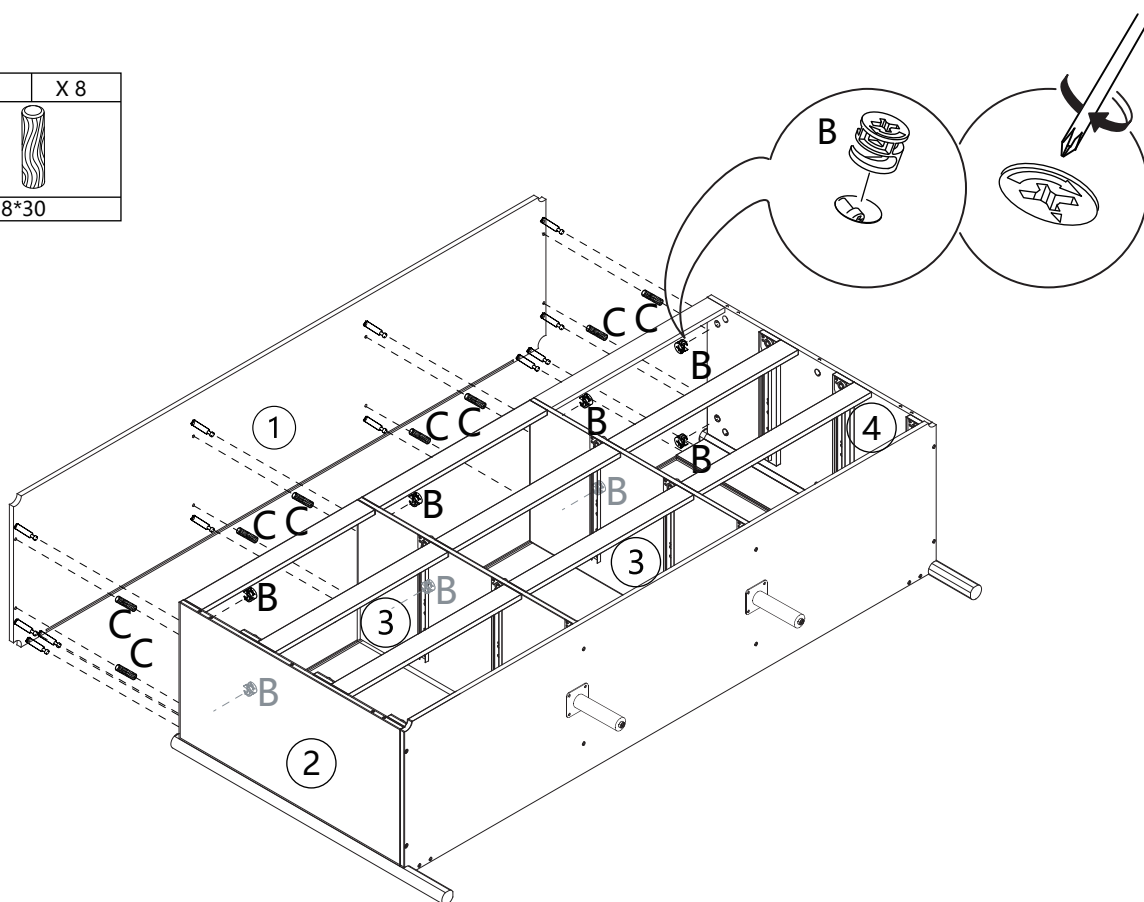
STEP14

A	X 12
	
M6*35	






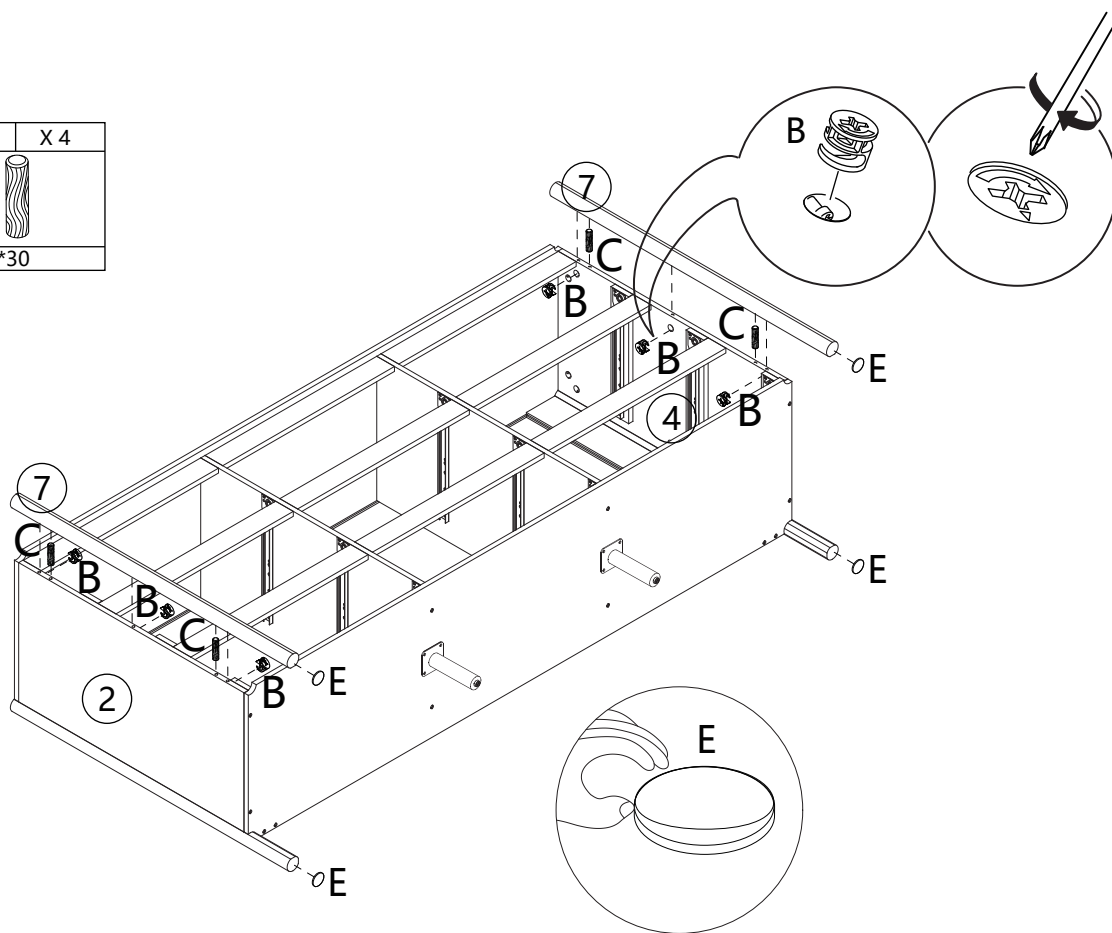
STEP15

B	X 8	C	X 8
			
$\Phi 15 \times 10$		$\Phi 8 \times 30$	




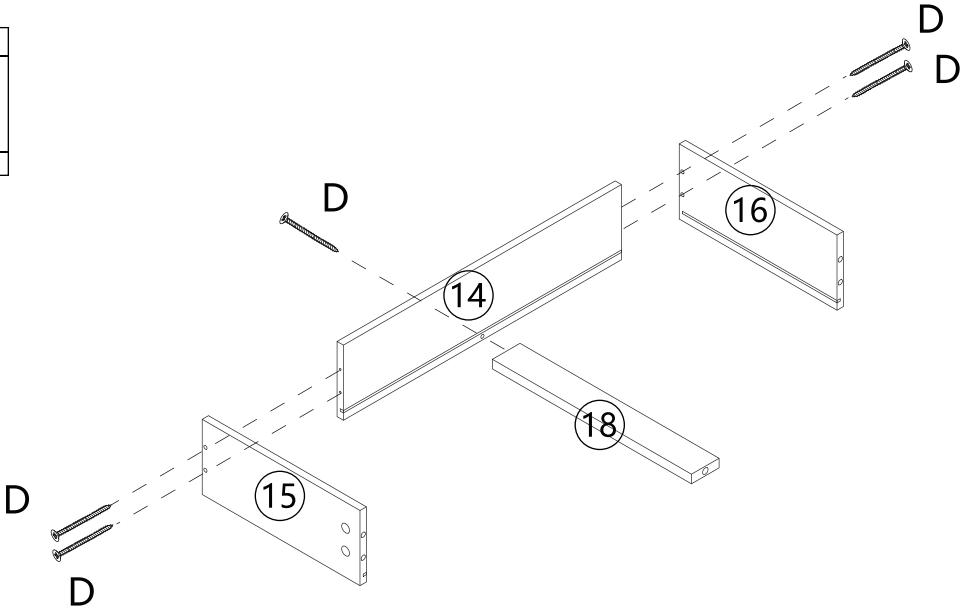
STEP16

B	X 6	C	X 4
			
$\Phi 15 \times 10$		$\Phi 8 \times 30$	
E	X 4		
			
$\Phi 25 \times 3$			



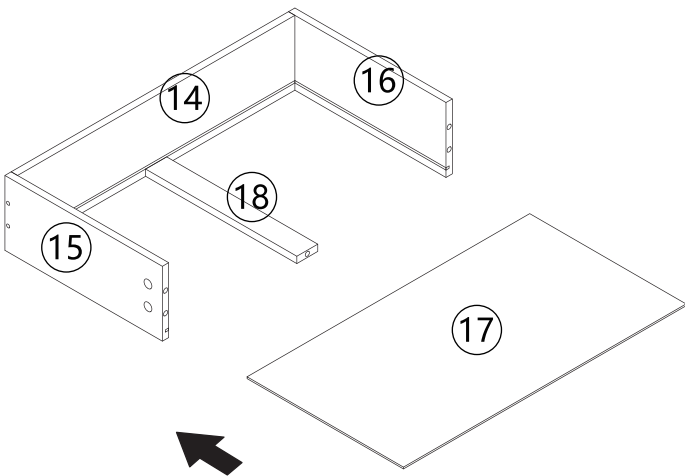
STEP17

D	X 45
	
M4*35	




X9

STEP18

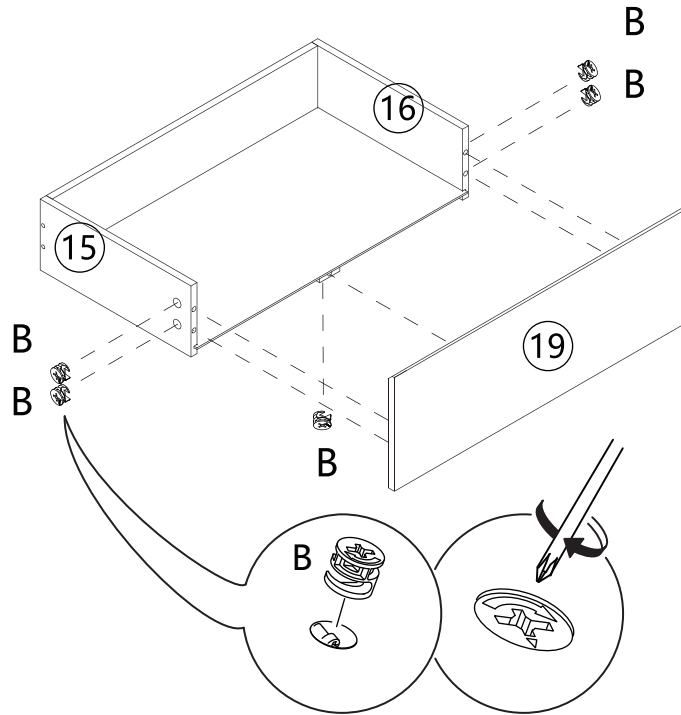
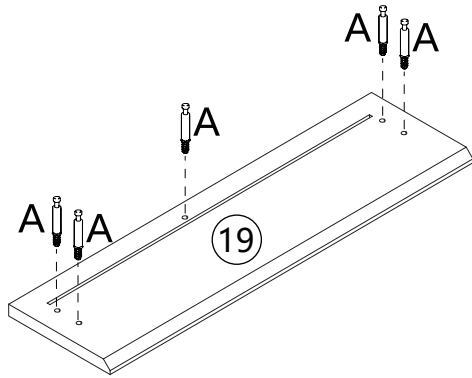


X9

STEP19



A	X 15	B	X 15
			
M6*35		Φ15*10	

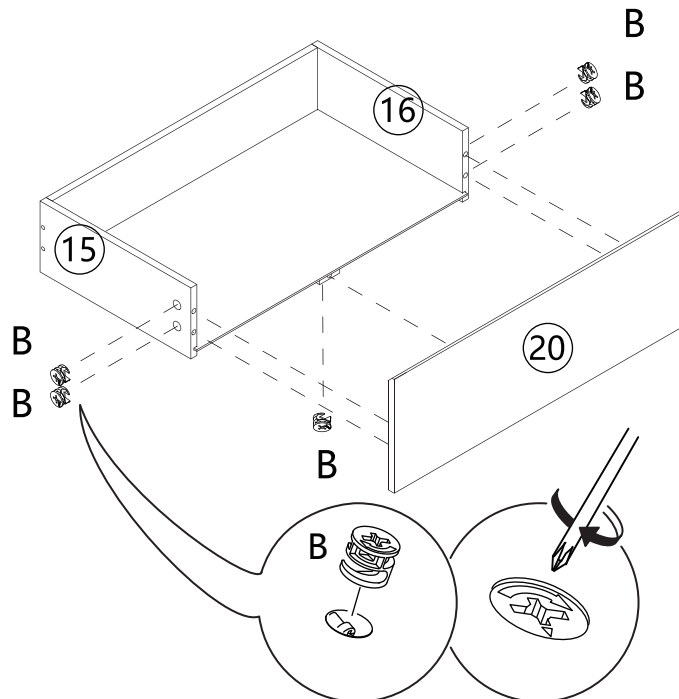
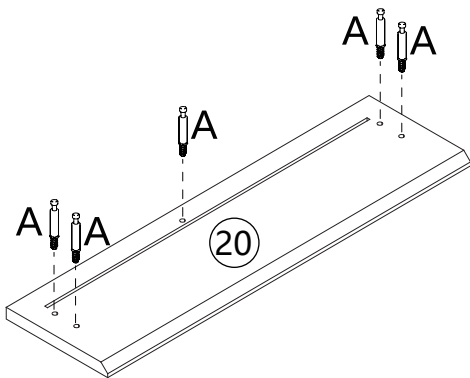
First, install screw A into the back holes of part # 19, #20 and# 21. Then, align and part #19,#20 #21 into the corresponding drawer holes.



**Left
X3**



STEP20

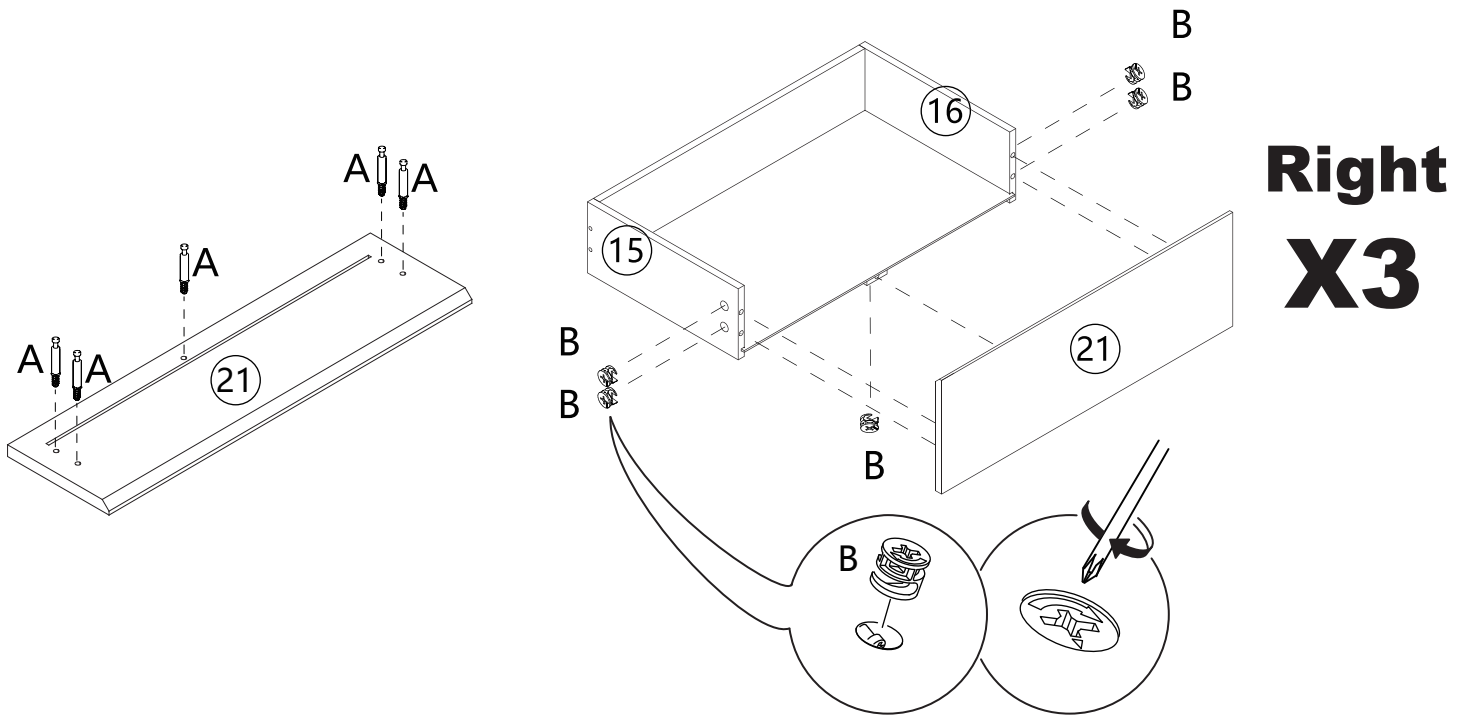
A	X 15	B	X 15
			
M6*35		Φ15*10	





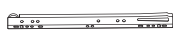
**Middle
X3**

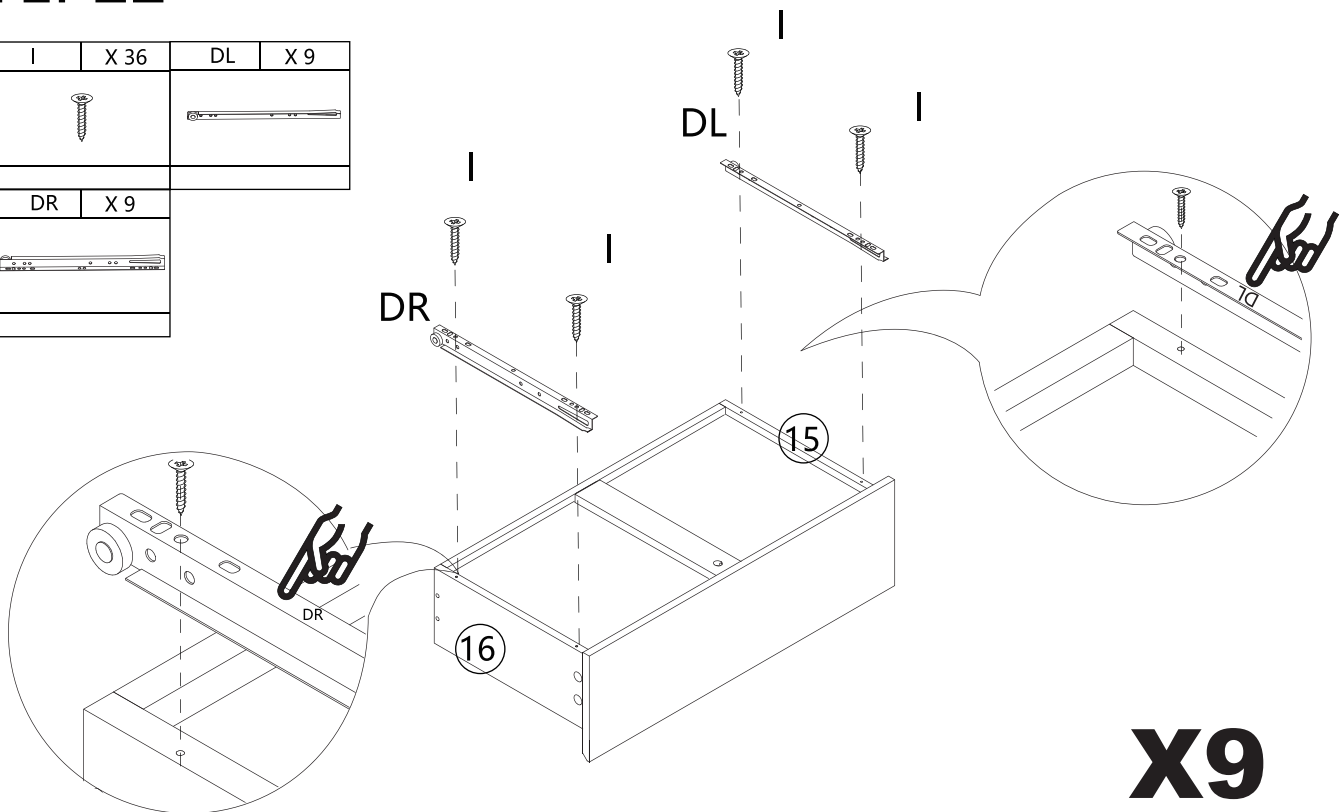
STEP21

A	X 15	B	X15
			
M6*35		Φ15*10	



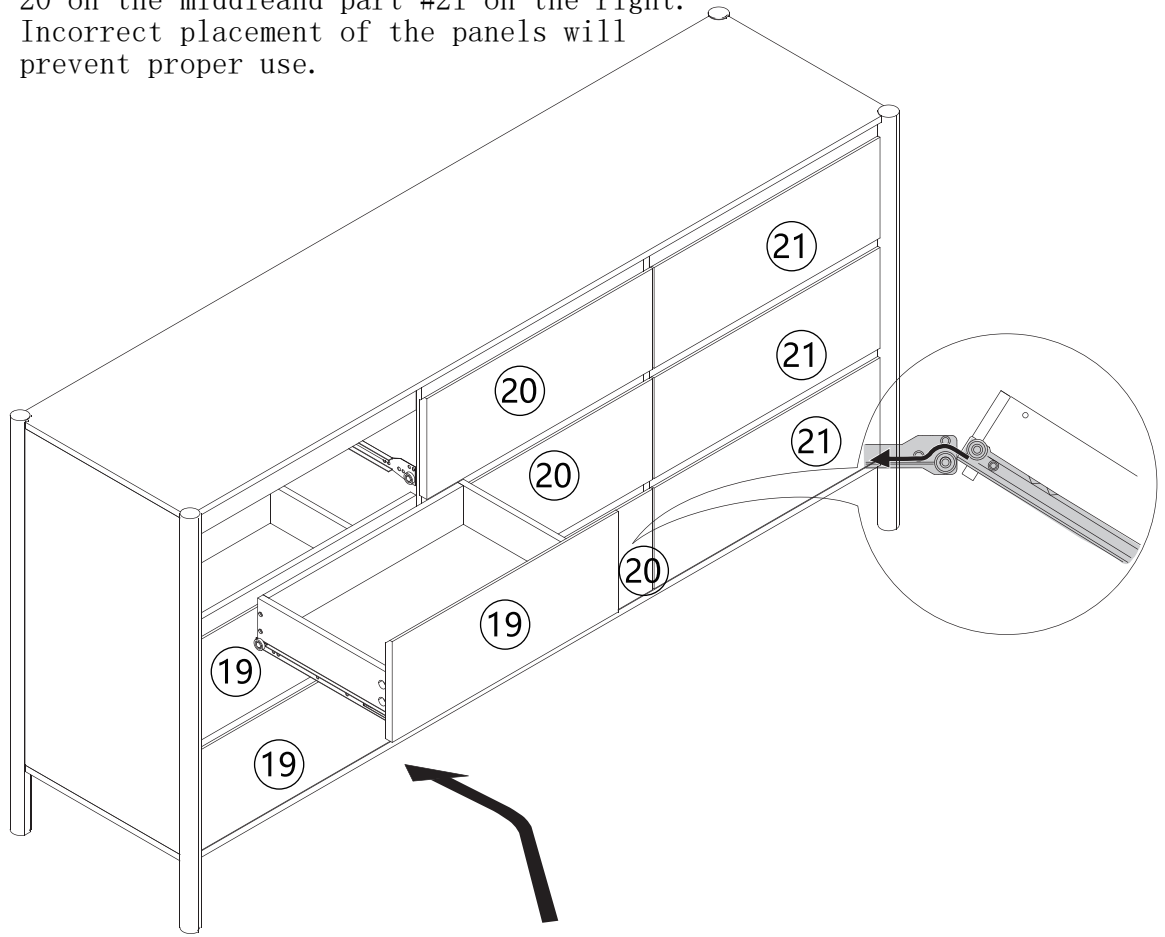
STEP22

I	X 36	DL	X 9
			
DR	X 9		
			







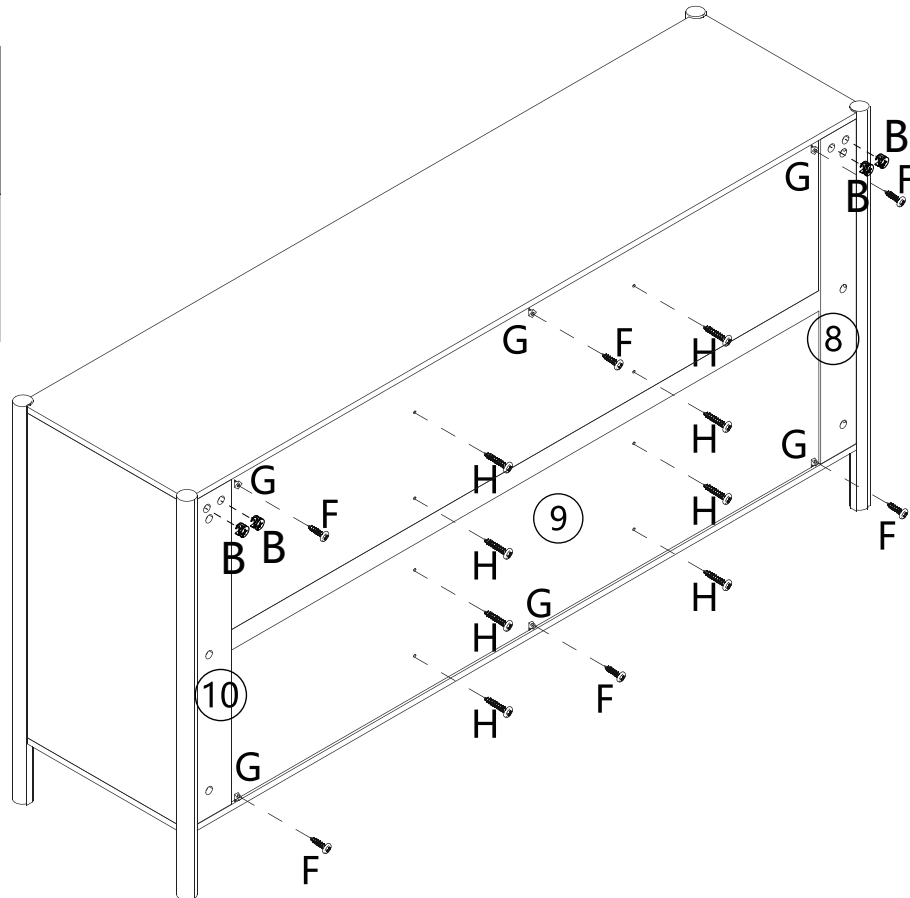
STEP23

Please Note: part #19 on the left and part # 20 on the middle and part #21 on the right. Incorrect placement of the panels will prevent proper use.






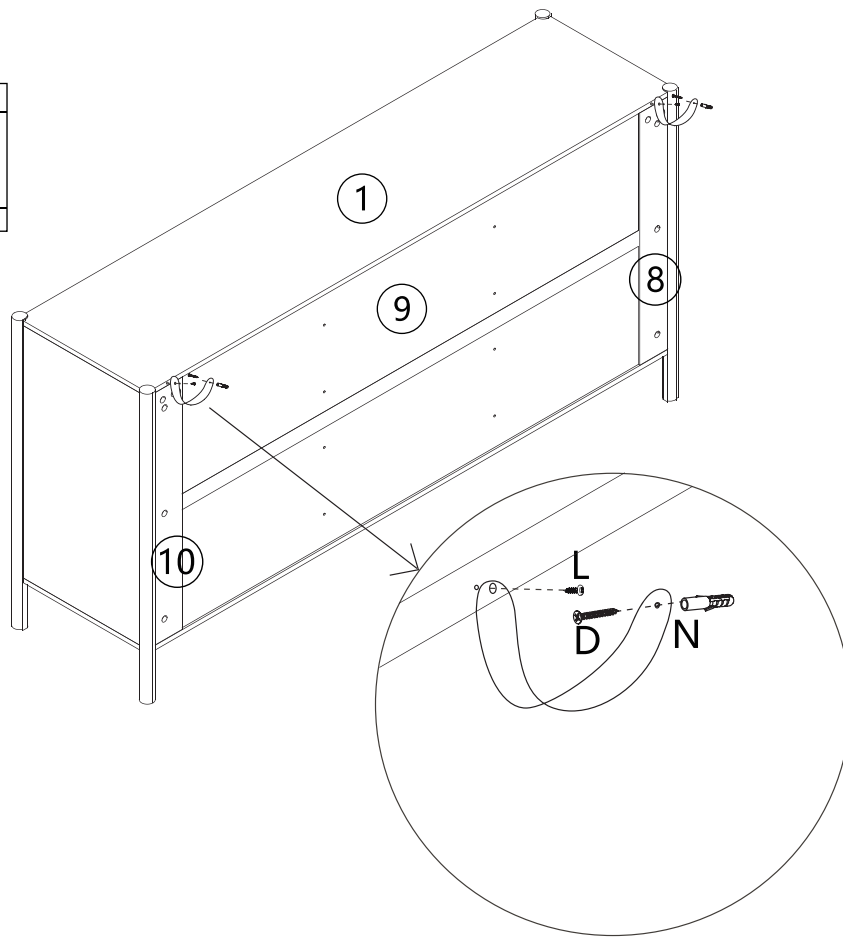
STEP24

B	X 4	F	X 6
			
$\phi 15 \times 10$		M3*14	
G	X 6	H	X 8
			
		M4*20	



STEP25

D	X 2	L	X 2
			
M4*35		M4*12	
N	X 2		
			



STEP26

