

INSTALLATION GUIDE

WARNINGS AND CAUTIONS

Released Date:2025-12

READ AND SAVE THESE INSTRUCTIONS

Please read and understand this entire manual before attempting to assemble, install or operate the product.

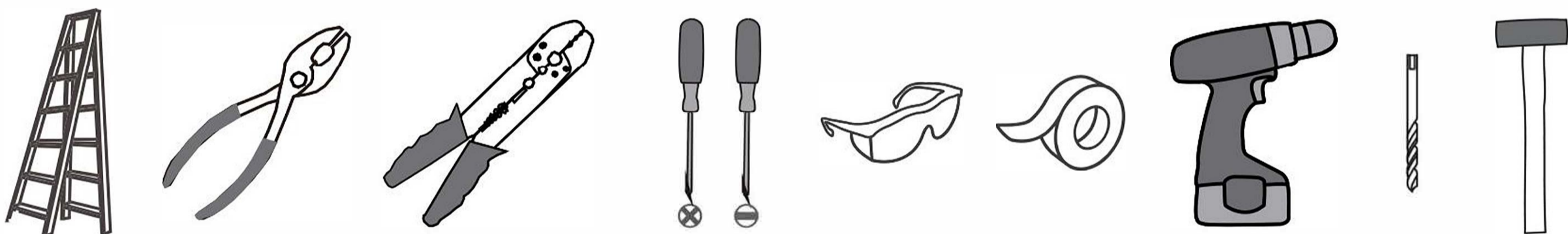
WARNING

- RISK OF ELECTRIC SHOCK - Before beginning installation, turn off electricity at the circuit breaker box or the main fuse box.
- RISK OF FIRE - Use bulbs specified by the markings and/or labels on the fixture.
- RISK OF PERSONAL INJURY - DO NOT bend the blades when installing the fan, or cleaning the fan. Do not insert foreign objects in between rotating fan blades.
- RISK OF FIRE, ELECTRIC SHOCK, OR PERSONAL INJURY - mount to outlet box marked and use mounting screws provided with the outlet box.
- All set screws must be checked, and re-tightened where necessary, before installation.
- After making the wire connections, the wires should be spread apart with the grounded conductor and the equipment-grounding conductor on one side of the outlet box and the ungrounded conductor on the other side of the outlet box.

CAUTION

- For your safety, read instructions completely before beginning installation.
- If in doubt about electrical installation, consult a licensed electrician.
- Disconnect fixture from the power source before replacing bulbs or cleaning. Make sure the bulbs are given sufficient time to cool before removing.

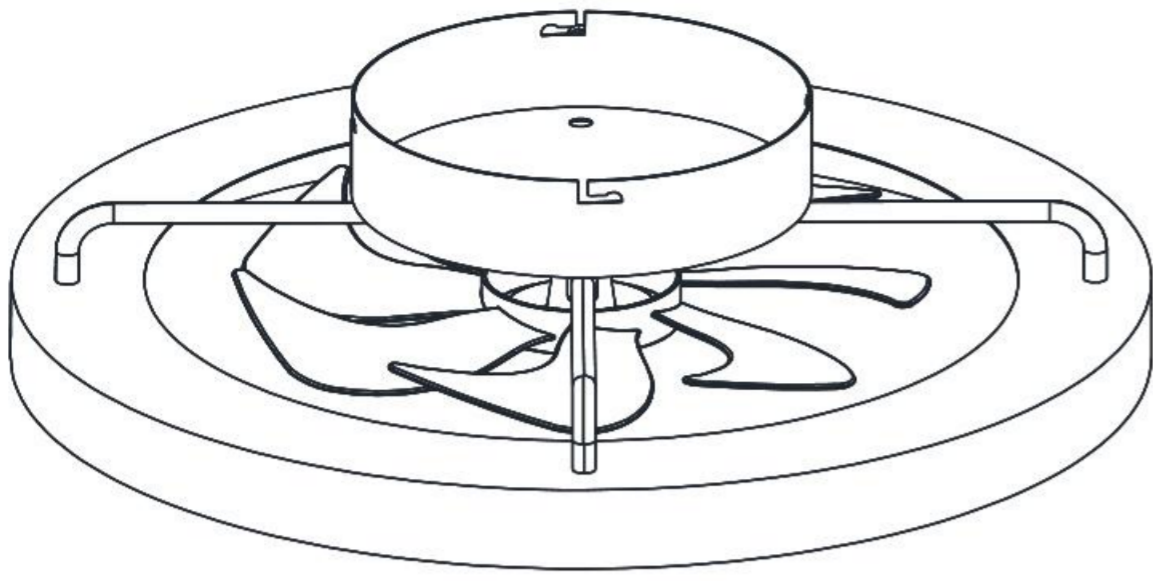
TOOLS REQUIRED



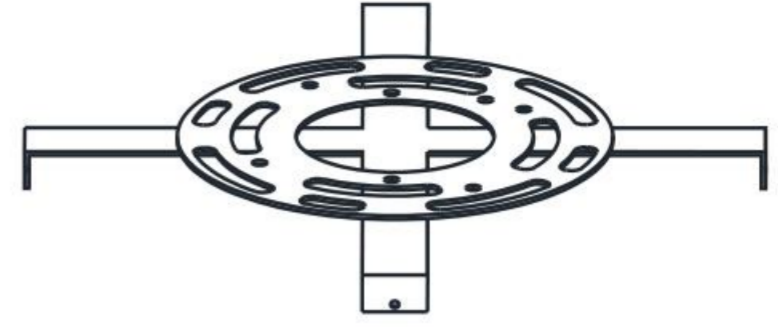
CARE AND MAINTENANCE

- Wipe clean using soft, dry cloth or static duster. Always avoid using harsh chemicals and abrasives to clean fixture as they may damage the finish.

PACKAGE CONTENTS



A Fixture body
x 1

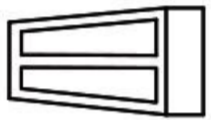


B Mounting Bracket
x 1

PACKAGE CONTENTS (PARTS BAG 1)



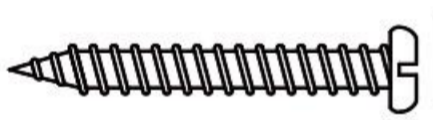
NOTE: Hardware not shown to actual size.



AA Wire Connector
x 4



DD Anchor Bolt
x 2



BB Screw
x 4



EE Mechanical Screw
x 2

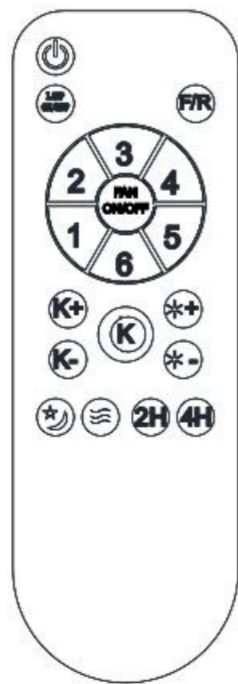


CC Wall Anchor
x 4

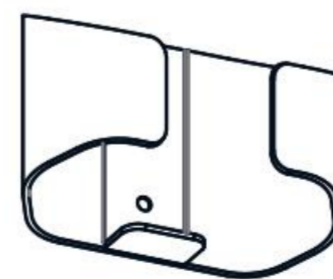


FF Glove
x 2

PACKAGE CONTENTS (PARTS BAG 2)



MM Remote Control
x 1



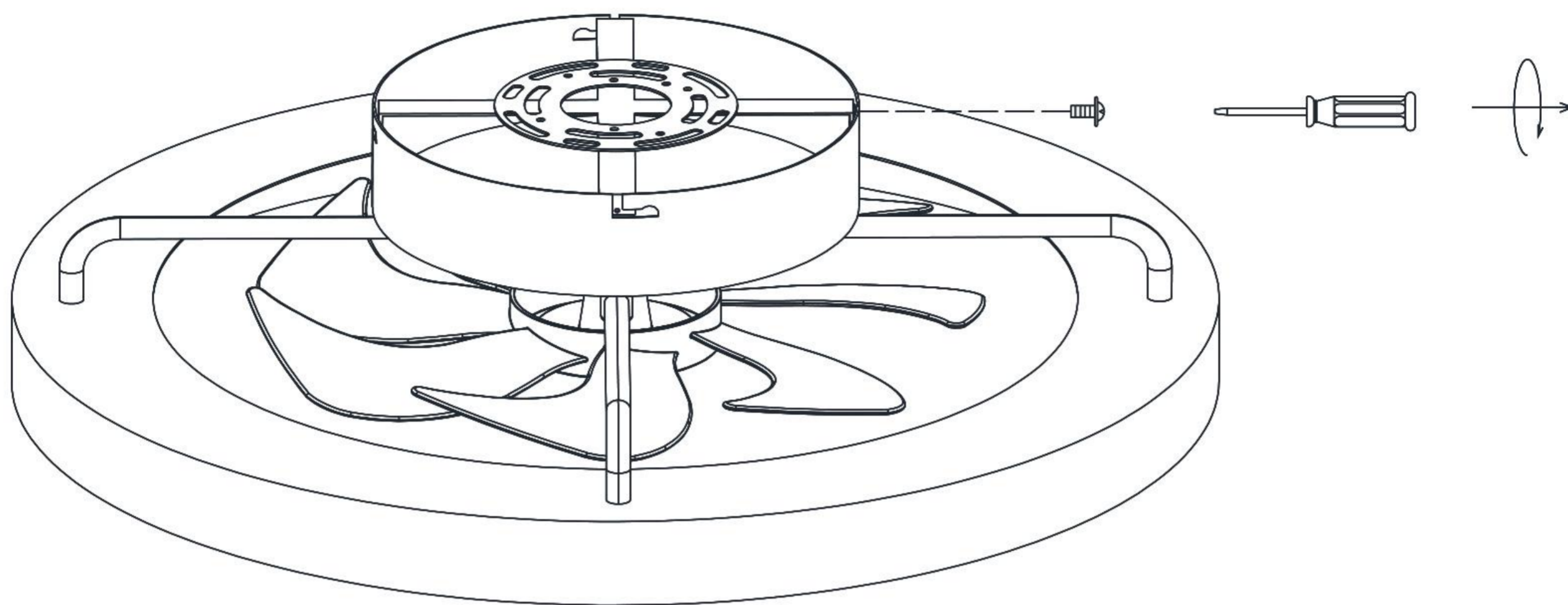
OO Wall Bracket
x 1



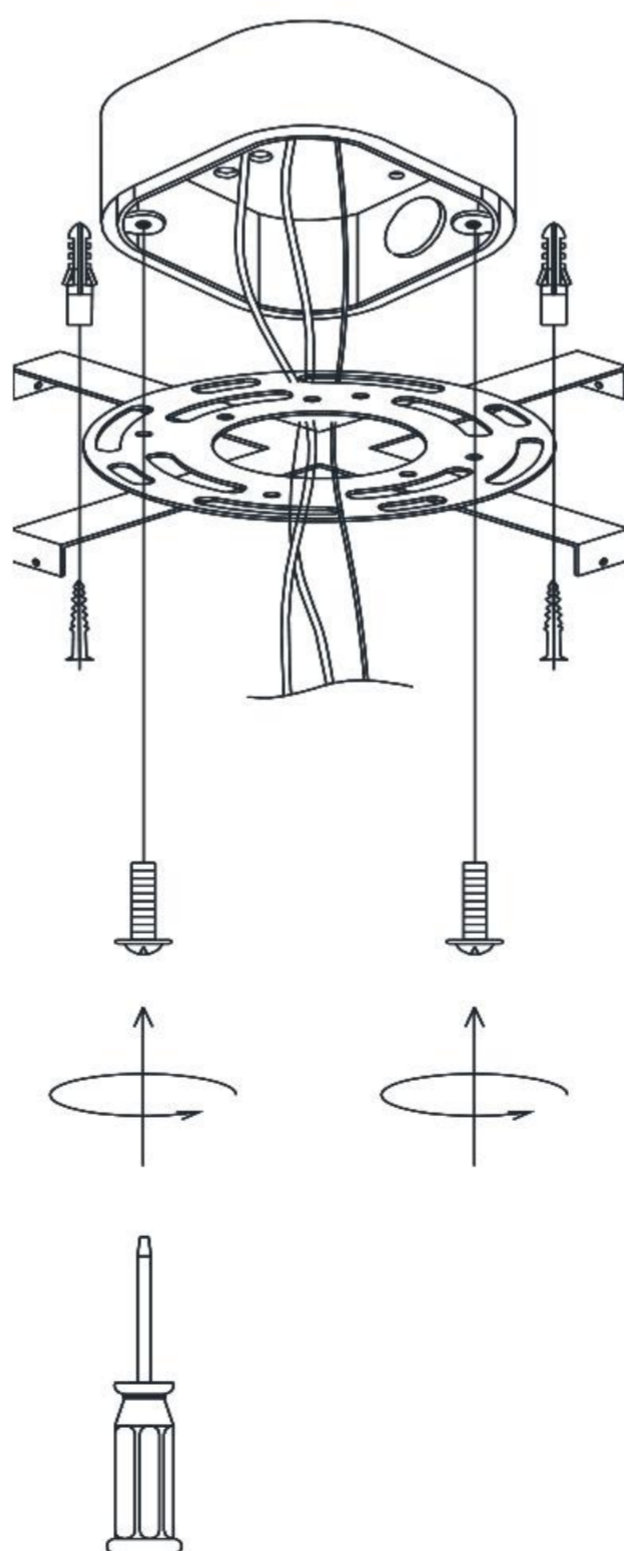
PP Screw
x 2

INSTALLATION

1 Remove the mounting bracket

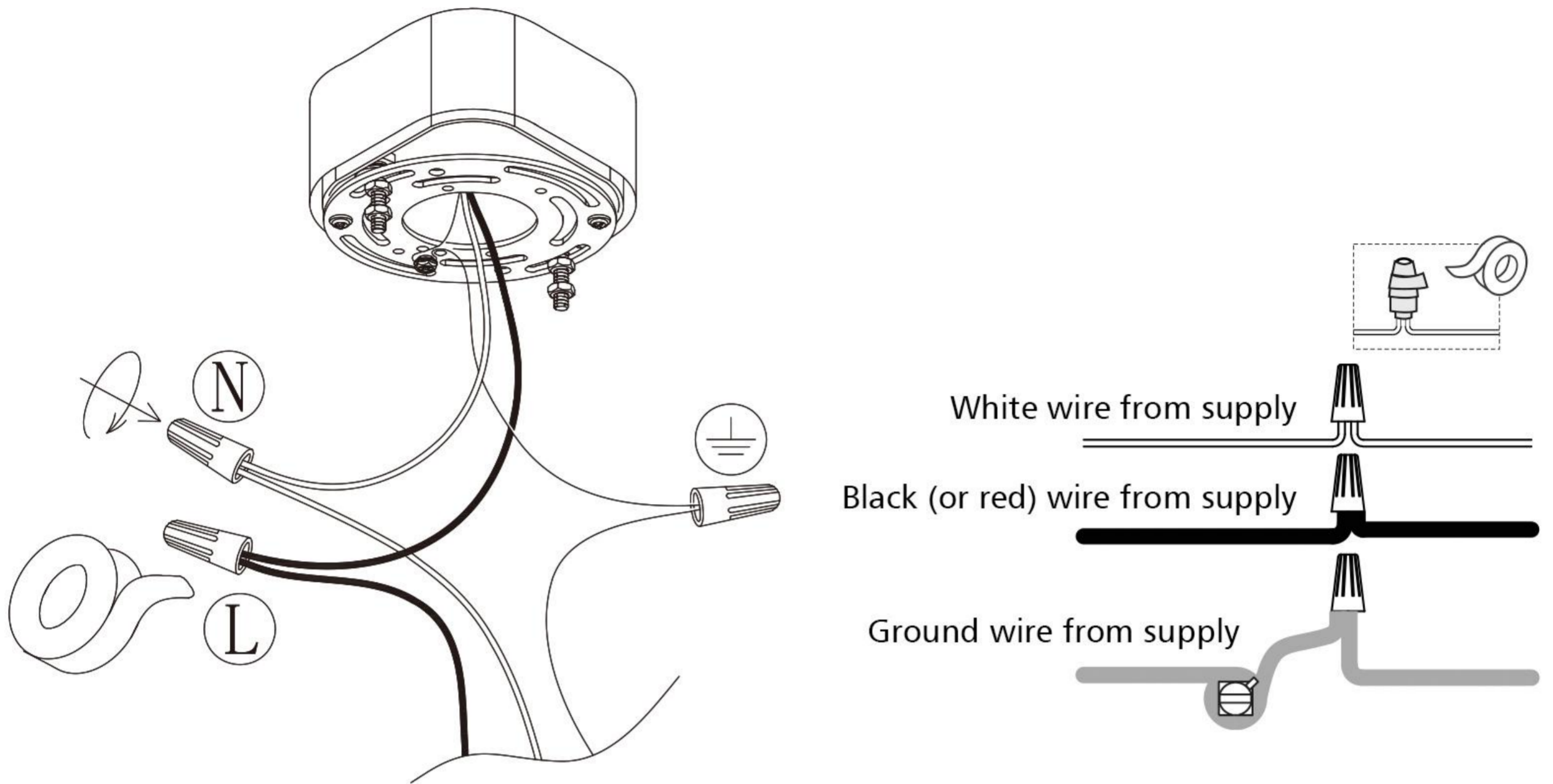


2 Install the mounting bracket



INSTALLATION

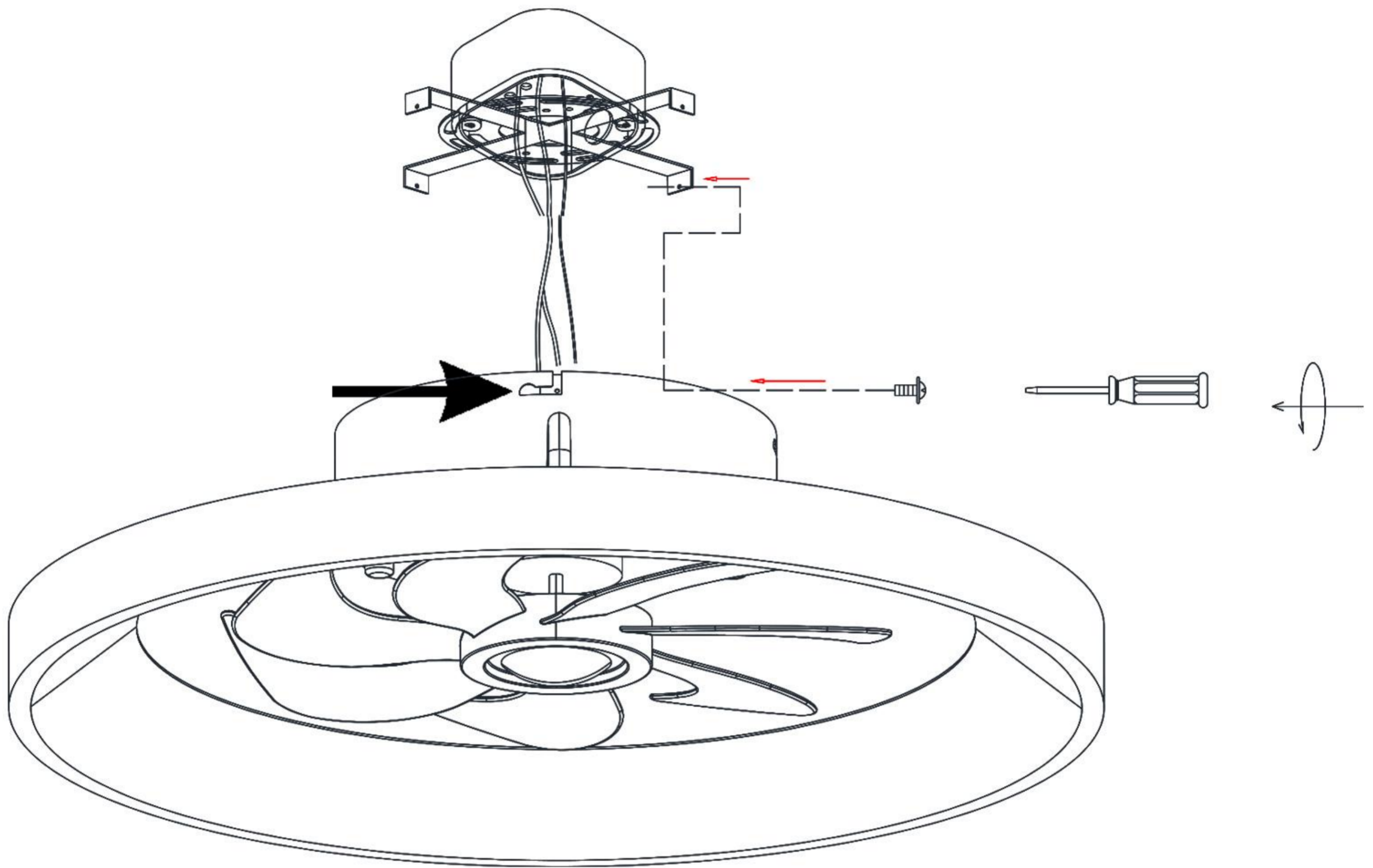
3 Wiring



- Step 1:** Connect the wires from the fixture to the house supply wires nuts, ground wire (green, green/yellow, or bare) to ground wire, neutral wire(white)to neutral wire, and hot wire (black) to hot wire. Wrap the connection with electrical tape.
- Step 2:** Spread apart the wires so that the hot wires are on one side of the outer box and the neutral wires are on the other side.

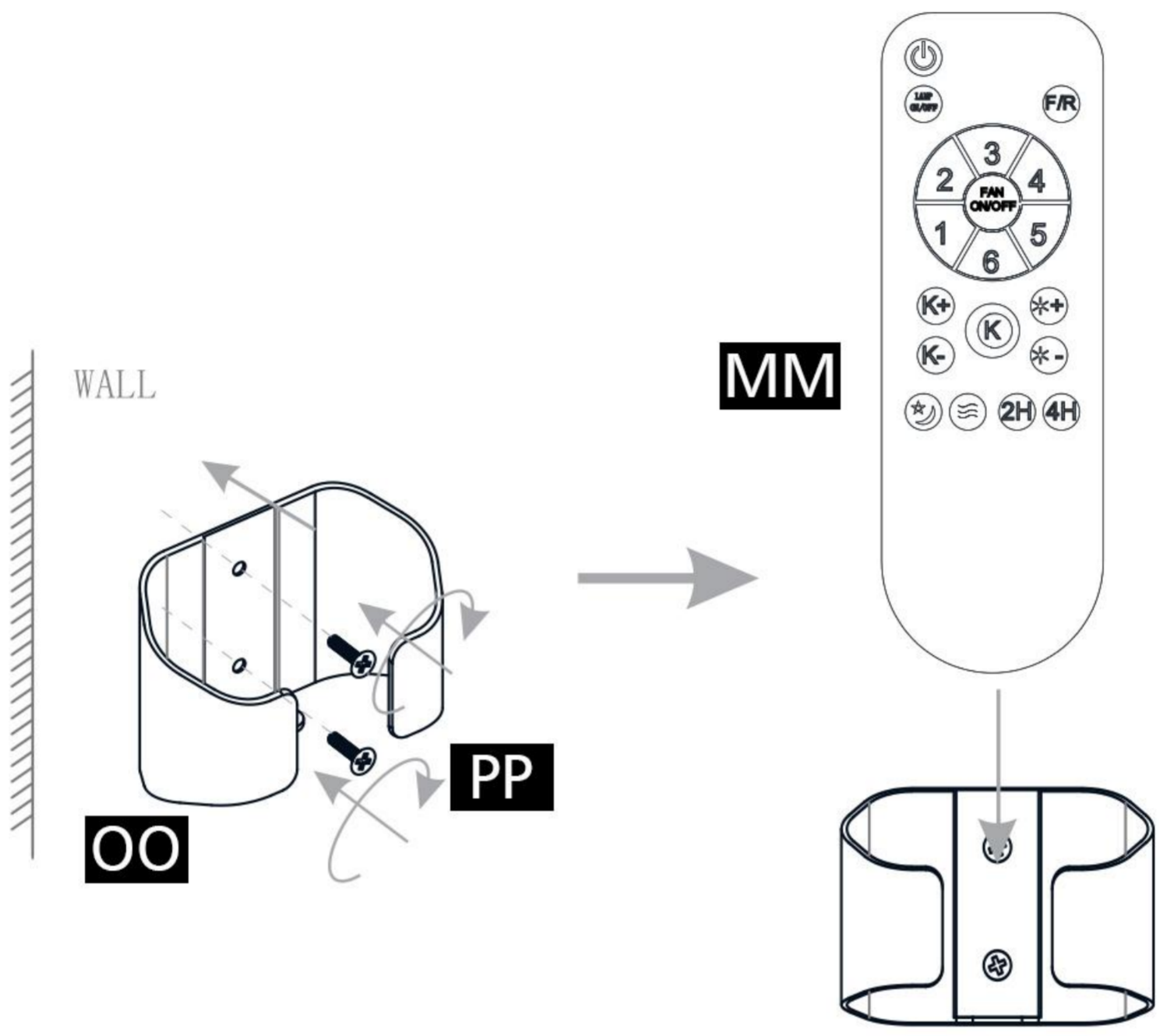
INSTALLATION

4 Install light fixture



Attention: Install the 4 mounting bracket screws into the 4 positions indicated by the arrows.

5 Install Wall Bracket

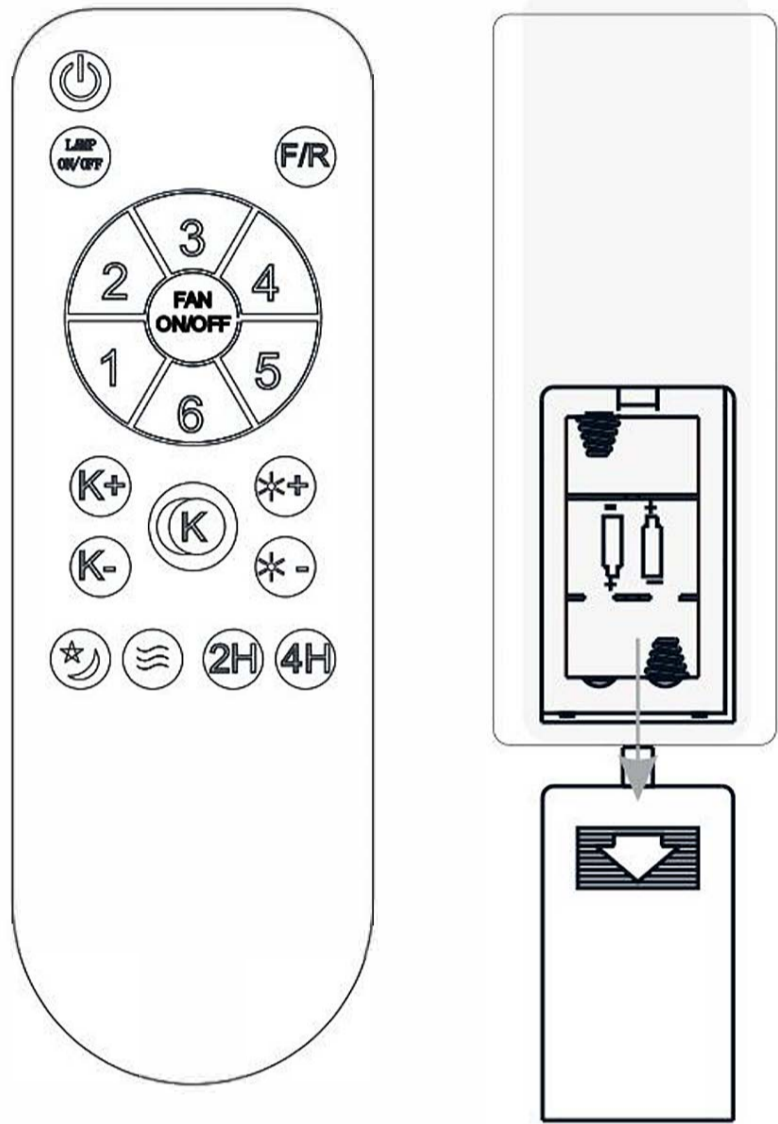


INSTALLATION

6 Remote Control Instructions

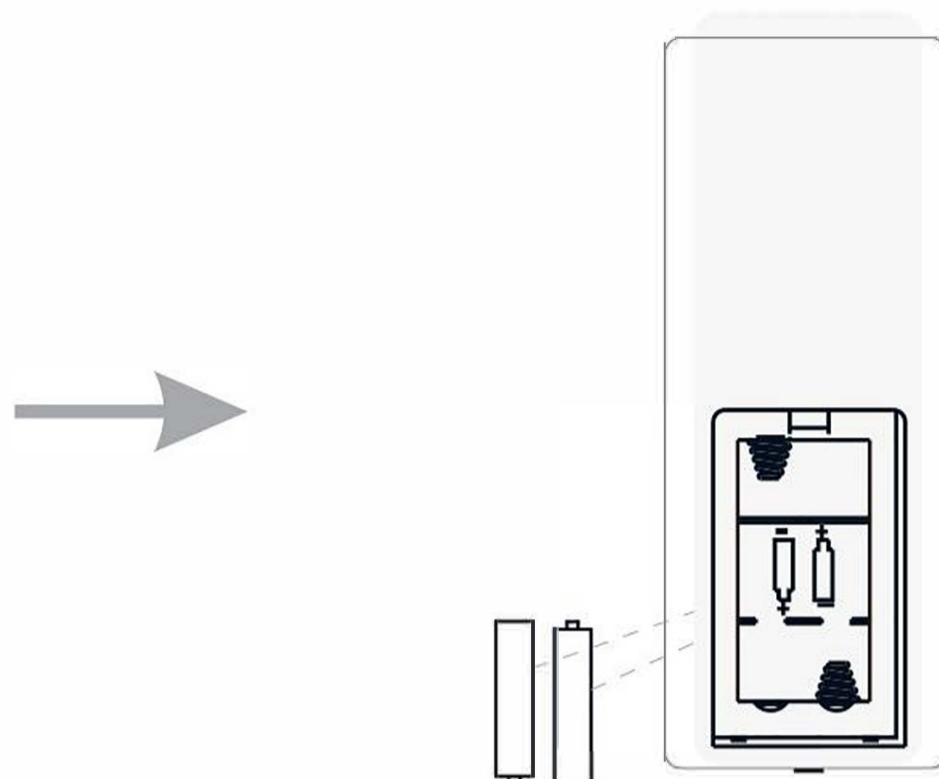
1

Remove the back cover



2

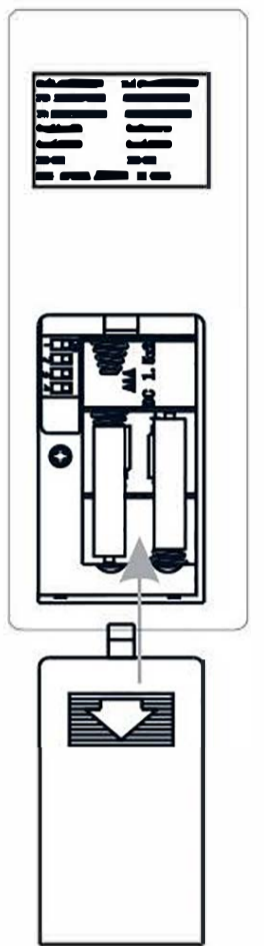
Installing the battery



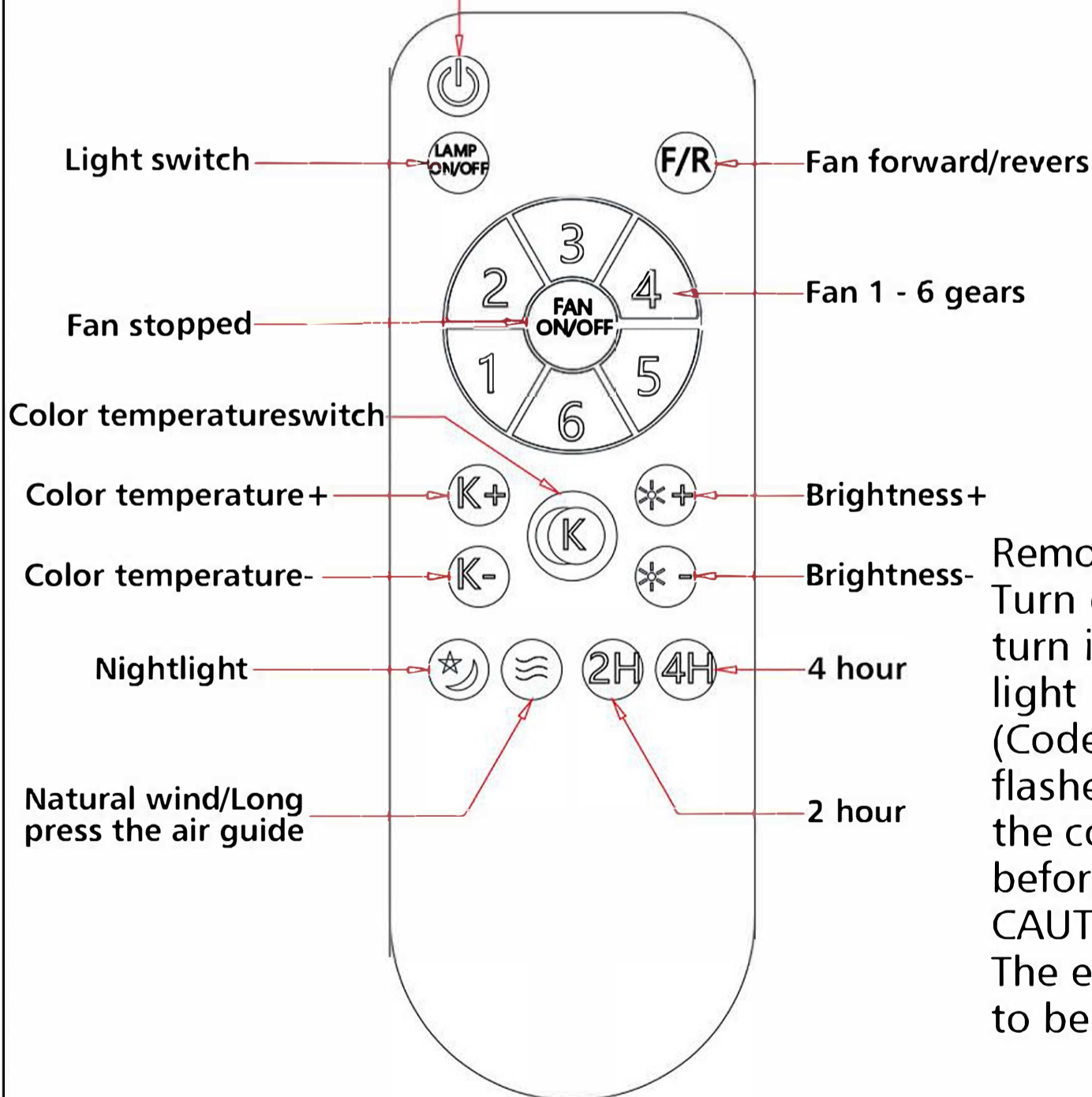
AAA Batteries
be careful: Battery not included

3

Close the back cover



General off



Remote control pairing:

Turn on the wall switch first. If the wall switch is already on, turn it off and then turn it on again. Press and hold the light pairing button within 5 seconds of the general off (Code building: ⏻), When you hear a beep or a light flashes, the code match is successful. If you need to match the code a second time, you need to wait 30 seconds before turning on the power and repeat the above operation.

CAUTION:

The electronic switch is not an isolated product and needs to be operated by professional personnel during installation

Your installation is now complete. Save this sheet for future