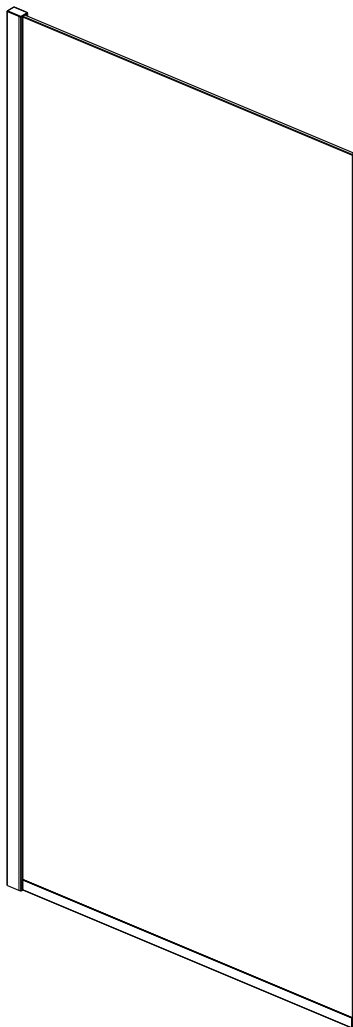
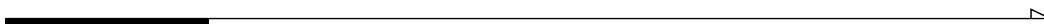


INSTALLATION INSTRUCTIONS



NAR6310A



◆ General Information

Please inspect the product immediately upon receipt for transit damage, missing packs/parts or manufacturing fault. Damage reported later cannot be accepted. Please handle the product with care avoiding knocks and shock loading to all sides and edges of the glass.

Notes: Safety glass can not be re-worked.

Please read these instructions carefully before start of installation.

Special care should be taken when drilling walls to avoid hidden pipes or electrical cables.

Note: This product is heavy and may require two people to install.

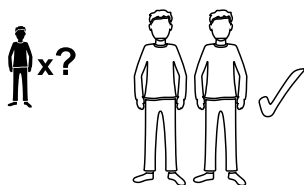
Aftercare instructions

After use, your shower should be cleaned with soap and water. This is particularly important in hard water districts where insoluble lime salts may be deposited and allowed to build up. Cleaners of a gritty or abrasive nature should not be used. Care should be taken to avoid contact with strong chemicals such as organic solvents and strippers.

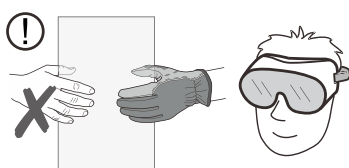
Glass cleaners can be used but with caution, if in doubt contact the manufacturer of the cleaner in question.

Please keep these instructions for aftercare and customer service details.

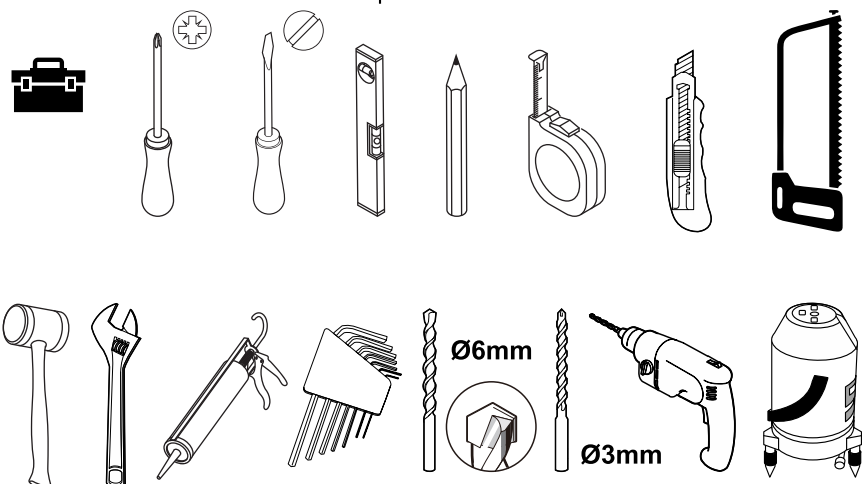
It is recommended that at least two people install it.



Wear gloves and goggles for your safety.

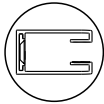


Required Tools

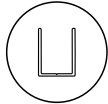




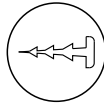
What's in the box



[01] x1



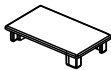
[02] x1



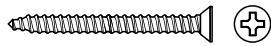
[03] x1



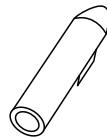
[04] x1



[05] x1



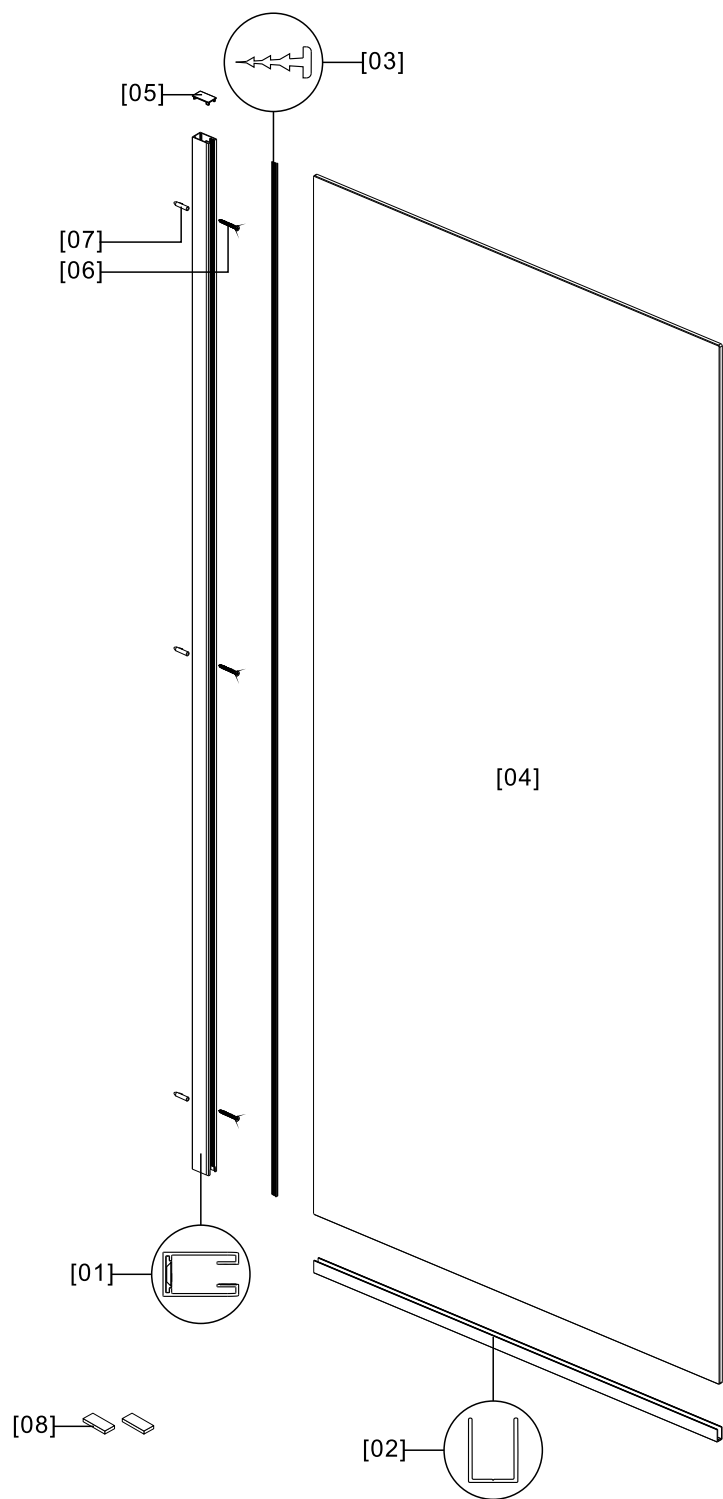
[06] x3 (ST4x45)



[07] x3

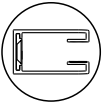


[08] x2 (1mm)

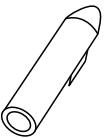




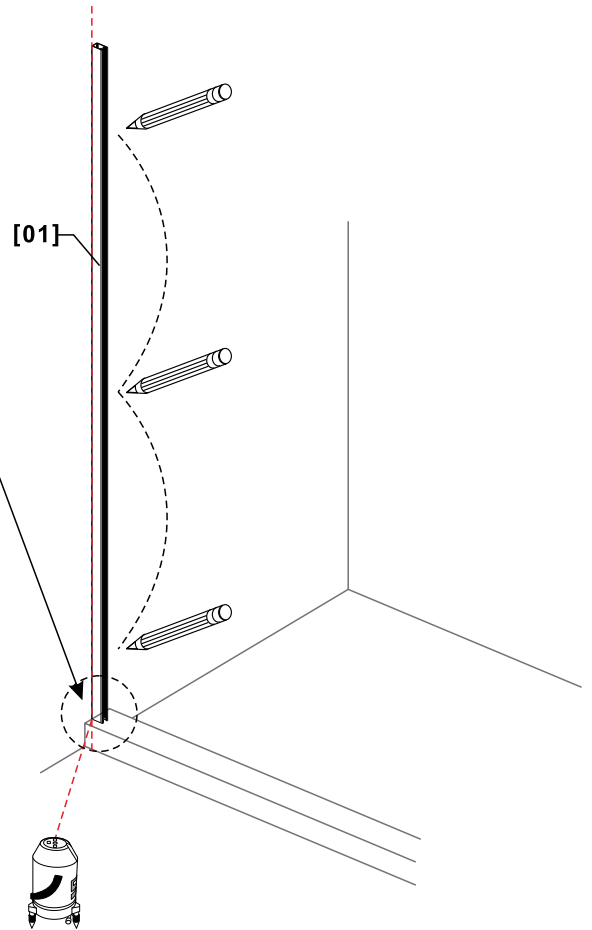
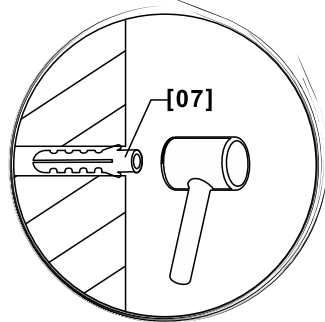
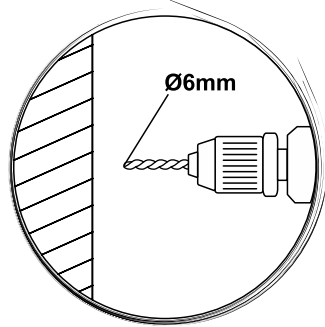
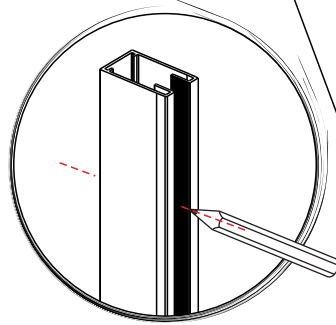
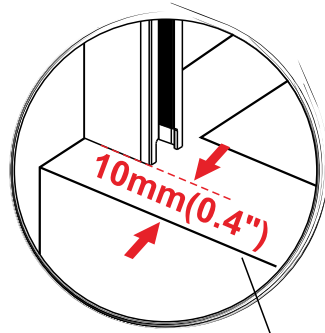
01



[01] x1

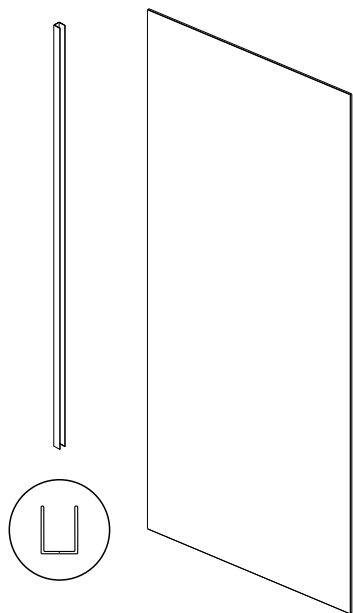


[07] x3



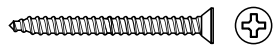
1. Ensure that the wall profile [01] are 0.4" (10mm) away from the edge and perpendicular to the ground. The side with holes should be closely attached to the wall.
2. Make marks on the wall through the holes on the inside of the wall profile [01].
3. Temporarily remove the wall profile [01] and drill screw holes with a diameter of 6mm at the marked positions.
4. Insert wall anchor [07]. Use a hammer to make the wall anchor [07] sink into the wall until the opening is flush with the wall. Please note that the positions on the wall corresponding to all holes on wall profile [01] need to be drilled.

02



[02] x1

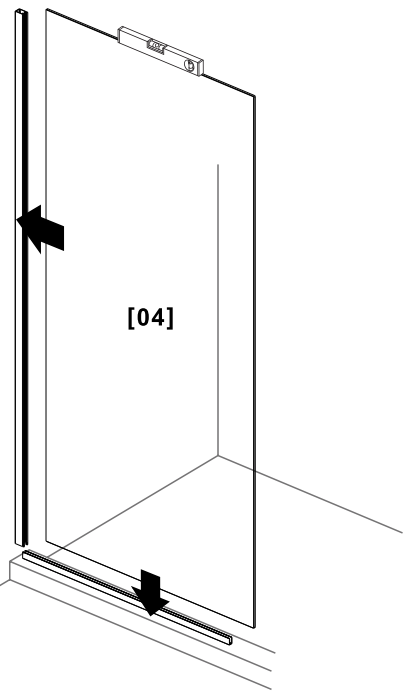
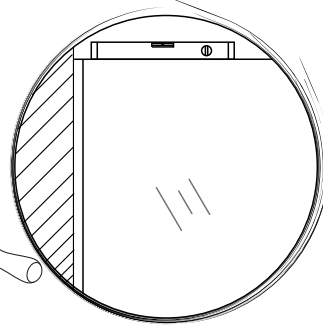
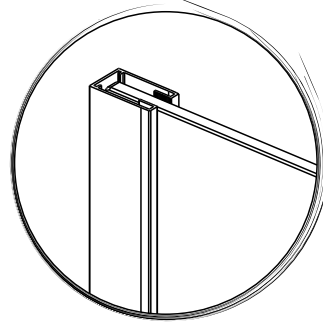
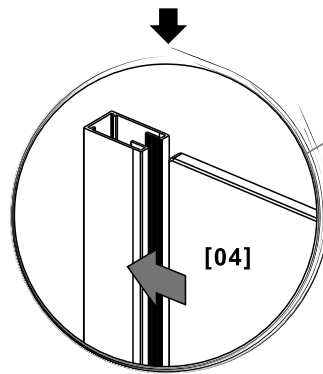
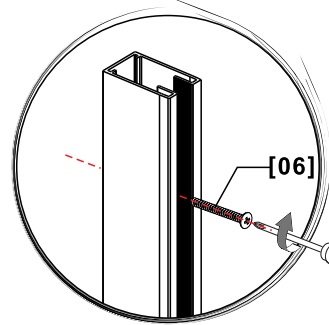
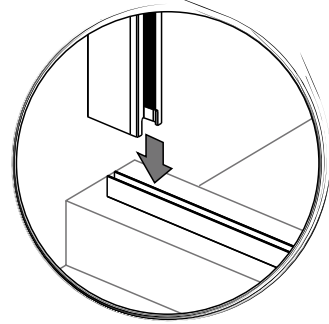
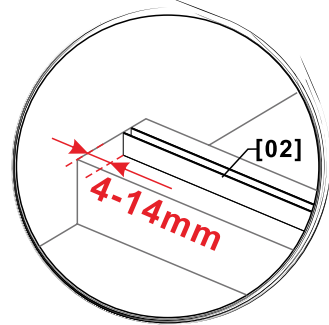
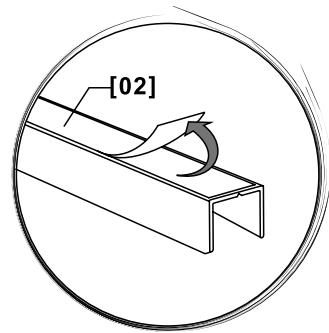
[04] x1



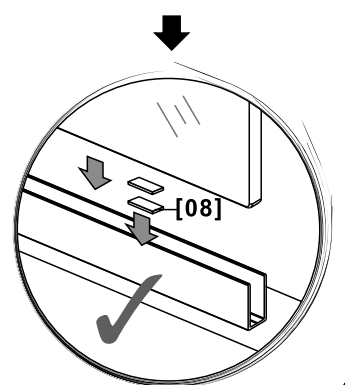
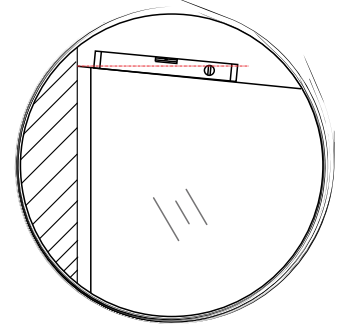
[06] x3 (ST4x45)



[08] x2 (1mm)

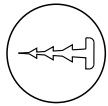


OR

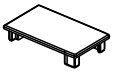


1. Peel off the adhesive backing from the bottom guide rail [02].
2. Align the bottom guide rail [02] along a straight line perpendicular to the wall surface. Maintain a 4-14mm gap from the wall (a minimum of 4mm is required to allow insertion of the wall profile [01]).
3. Press the wall profile [01] firmly against the wall and insert it into the bottom rail until fully seated.
4. Secure the wall profile [01] by tightening the screws [06].
5. Snap the glass panel [04] into the bottom guide rail [02]. Place a level on top of the glass panel [04] to verify it is vertically aligned (perpendicular to the ground).
6. Slide the glass panel [04] fully into the wall profile [01], ensuring it sits tightly against the bottom edge of the wall.
7. If the panel is not vertical, carefully remove it and place adjustment shims [08] under the bottom guide rail [02]. Reinstall and check alignment repeatedly until the glass panel [04] is perfectly vertical.

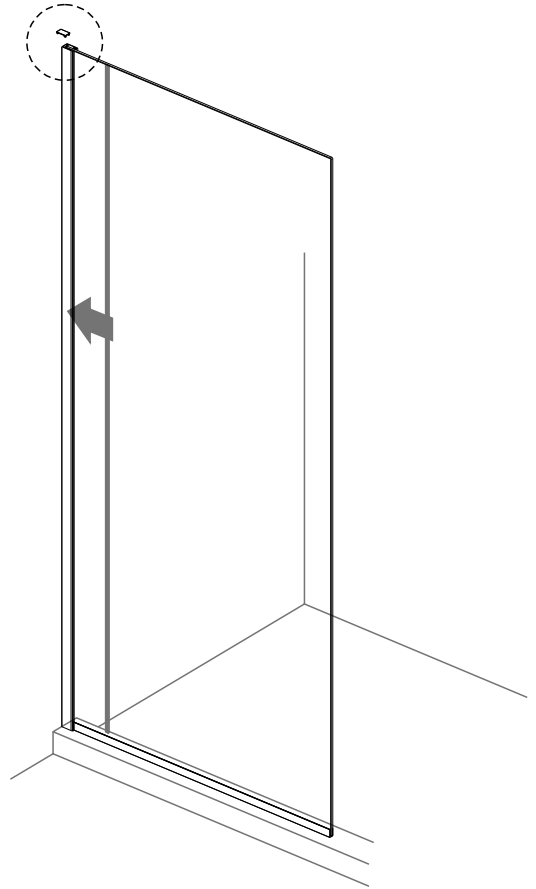
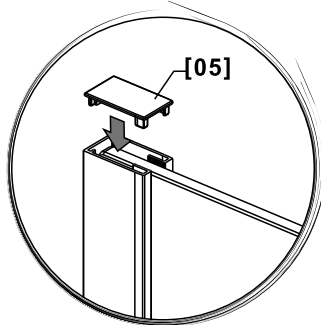
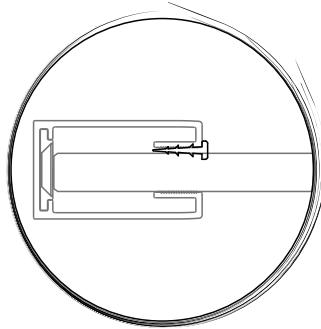
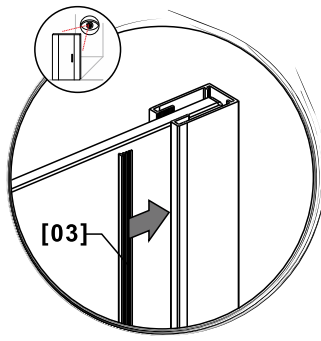
03



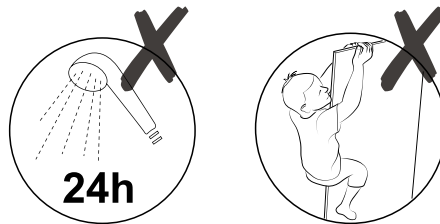
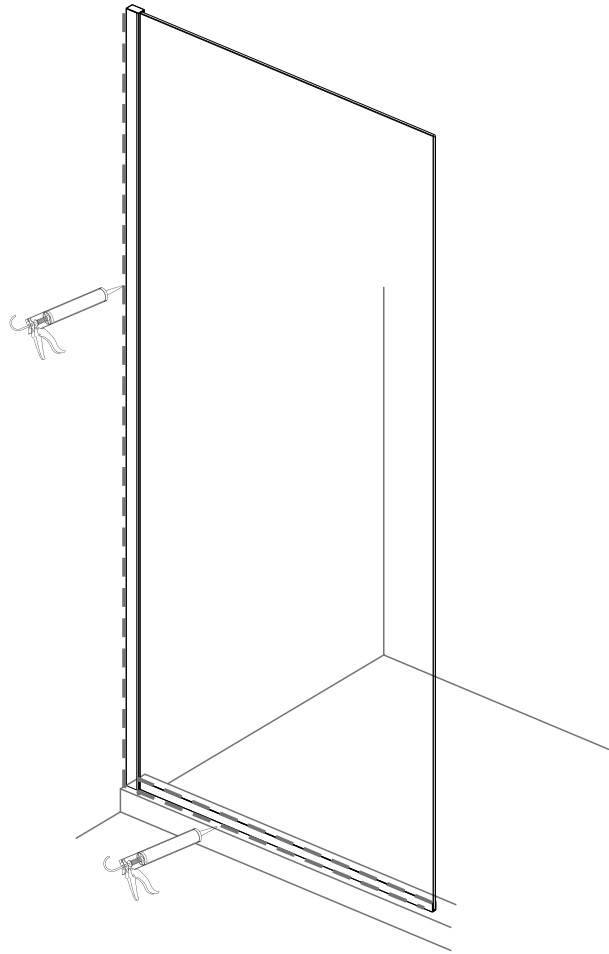
[03] x1



[05] x1



1. Insert the elongated glass spacer pin [03] as illustrated to secure the glass panel [04], ensuring it is firmly locked in place and free from movement.
2. Snap the dust cover [05] onto the top edge of the wall profile [01] to complete the installation.



After ensuring proper installation, apply silicone sealant at the locations as shown in the figure, namely between the wall profile and the wall and between the bottom guide rail and the ground for sealing and waterproofing.

Notes: Do not use for a long time (more than 24 hours) and climb on the glass door.