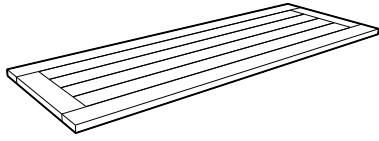
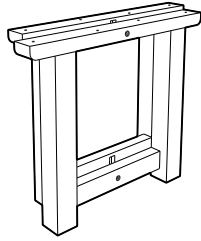


# ASSEMBLY INSTRUCTIONS

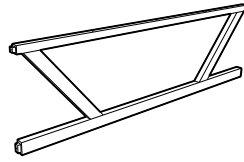
## OUTDOOR DINING TABLE 118"



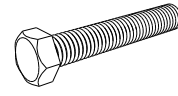
A = 1 Pc



B = 2 Pcs



C = 1 Pcs



HEXA BOLT  
M8 X 70 MM  
D = 19 Pcs

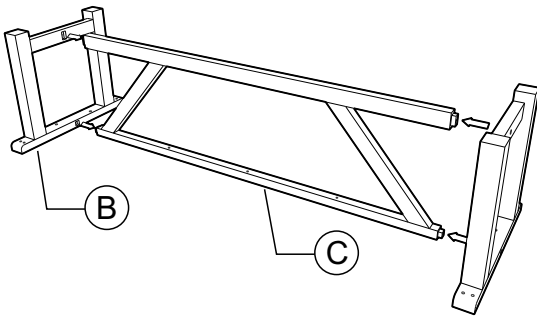


RING  
E = 19 Pcs

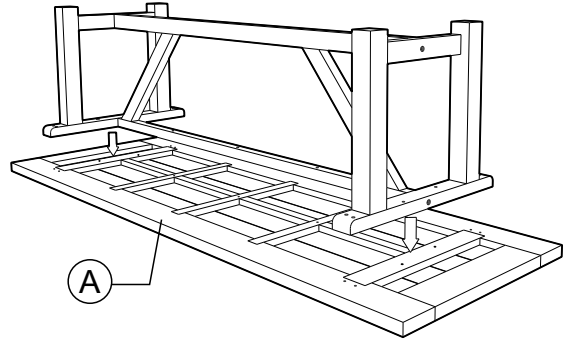


WRENCH  
F = 1 Pcs

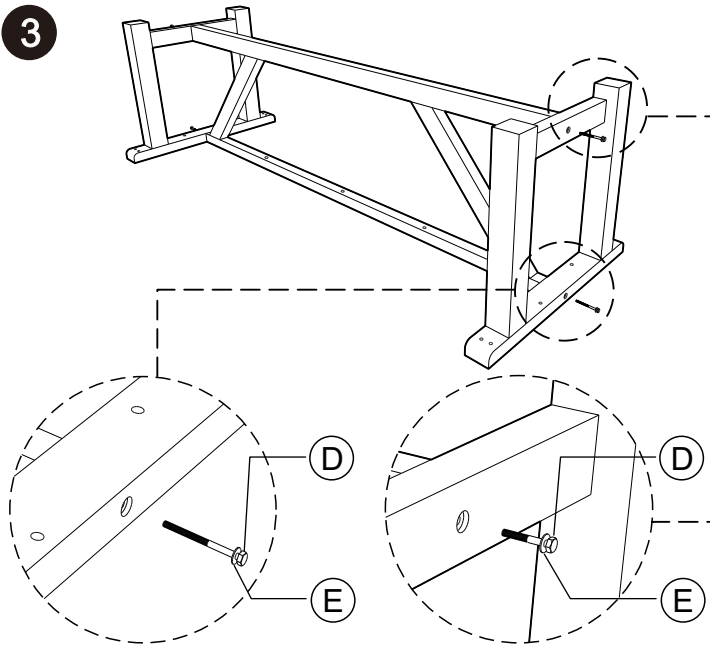
1



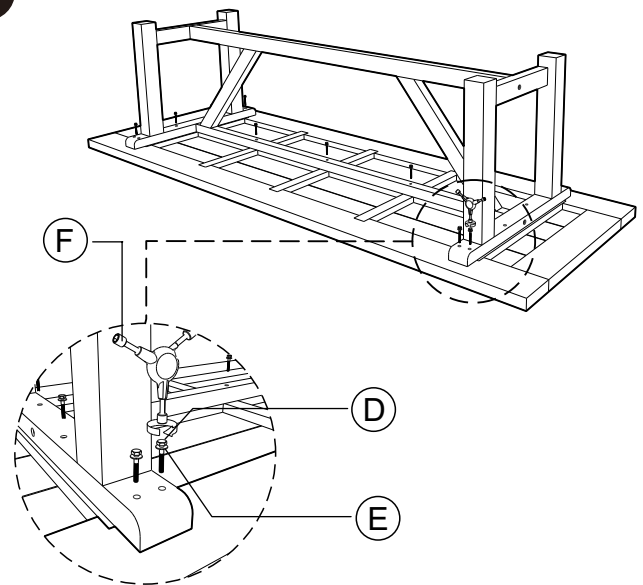
2



3



4



5

