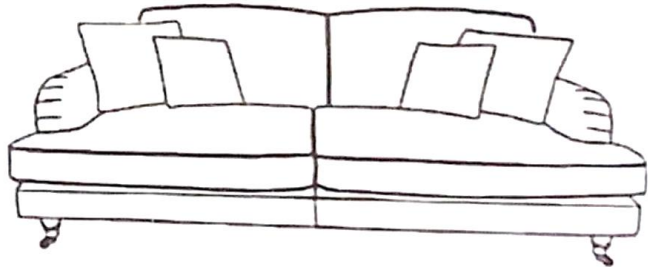
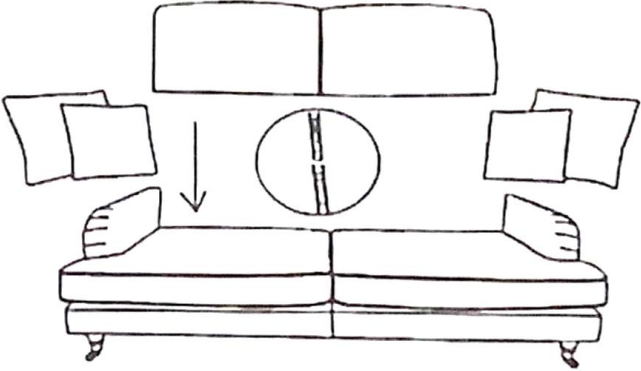
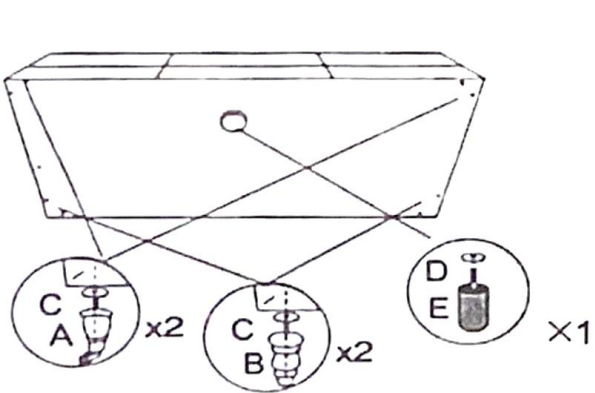
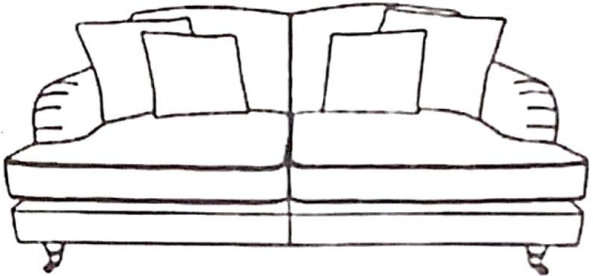
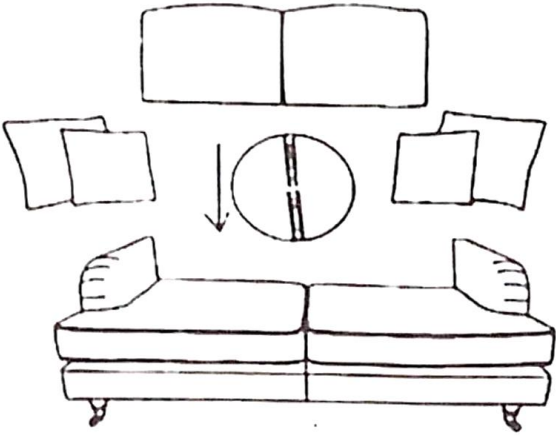
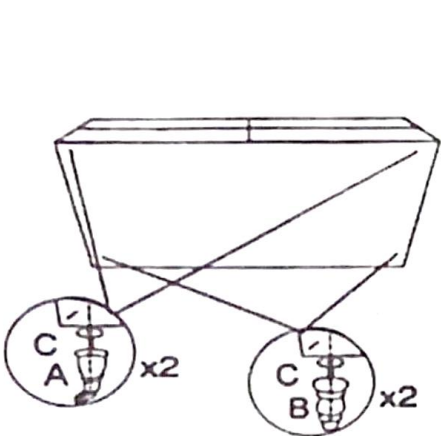


Ashton Assemble Instruction

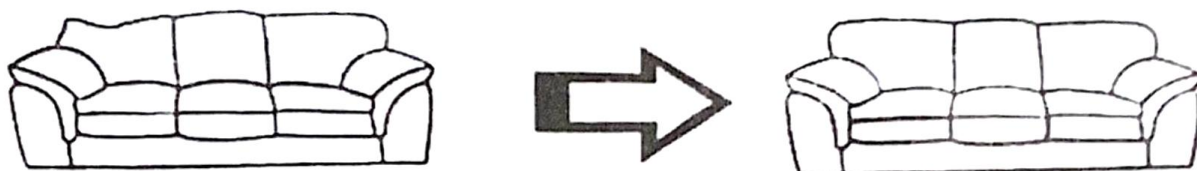


D and E for 3seater only.



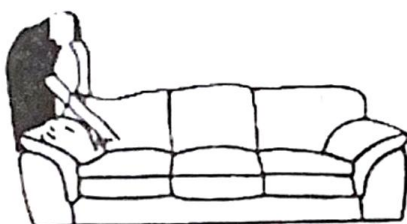
WARNING

①



1. This product made a long journey to reach you. Before using, Please reshape the cushions to restore to its original beauty.

②



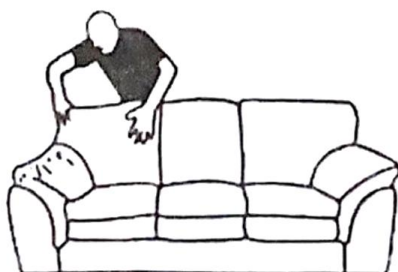
2. Adjust the back cushions with both hands, starting from the lower and moving to the top as in the picture.

③



3. Next, adjust the back cushions with one hand and supporting the back with the other hand.

④



4. Next, use one hand to pull the outside end of the back cushions then adjust it with the other towards the outside end as in the picture.

⑤



5. Next, move to the armrests, adjust them evenly from the center towards the outside