



# PREMIER COPPER PRODUCTS

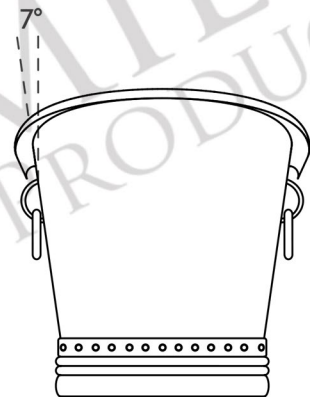
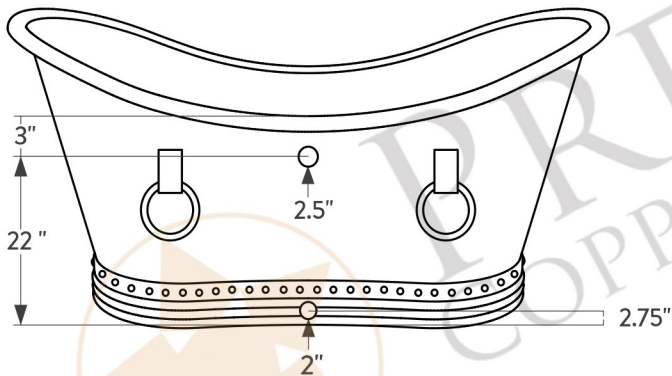
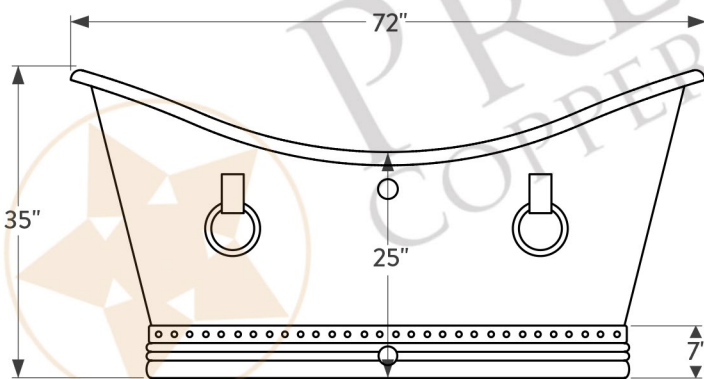
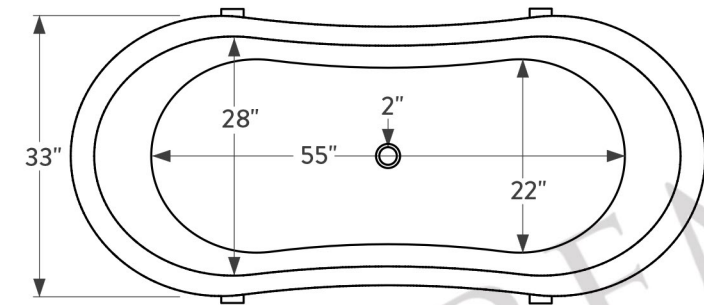
## MODEL NUMBER: BTDR72DBOF

CODE/STANDARD COMPLIANCE

\* IAPMO/UPC LISTED



- \* Description: 72" Hammered Copper Double Slipper Bathtub with Rings - Overflow Drain Compatible
- \* Outer Dimension: 72" x 33" x 35"
- \* Center Tub Height: 25"
- \* Drain Opening: 2" Center
- \* Finish: Oil Rubbed Bronze
- \* Hole Sizes: 2.5" (Top) 2" (Bottom)
- \* Hole Locations: 22" from ground to center of hole (Top)  
2.75" from ground to center of hole (Bottom)



THIS PRODUCT IS HAND CRAFTED, SMALL VARIANCES IN COLOR AND SIZE MAY OCCUR.  
DO NOT MAKE ANY INSTALLATION CUTS UNTIL YOU RECEIVE YOUR ITEM(S).