

User Manual



INTRODUCTION

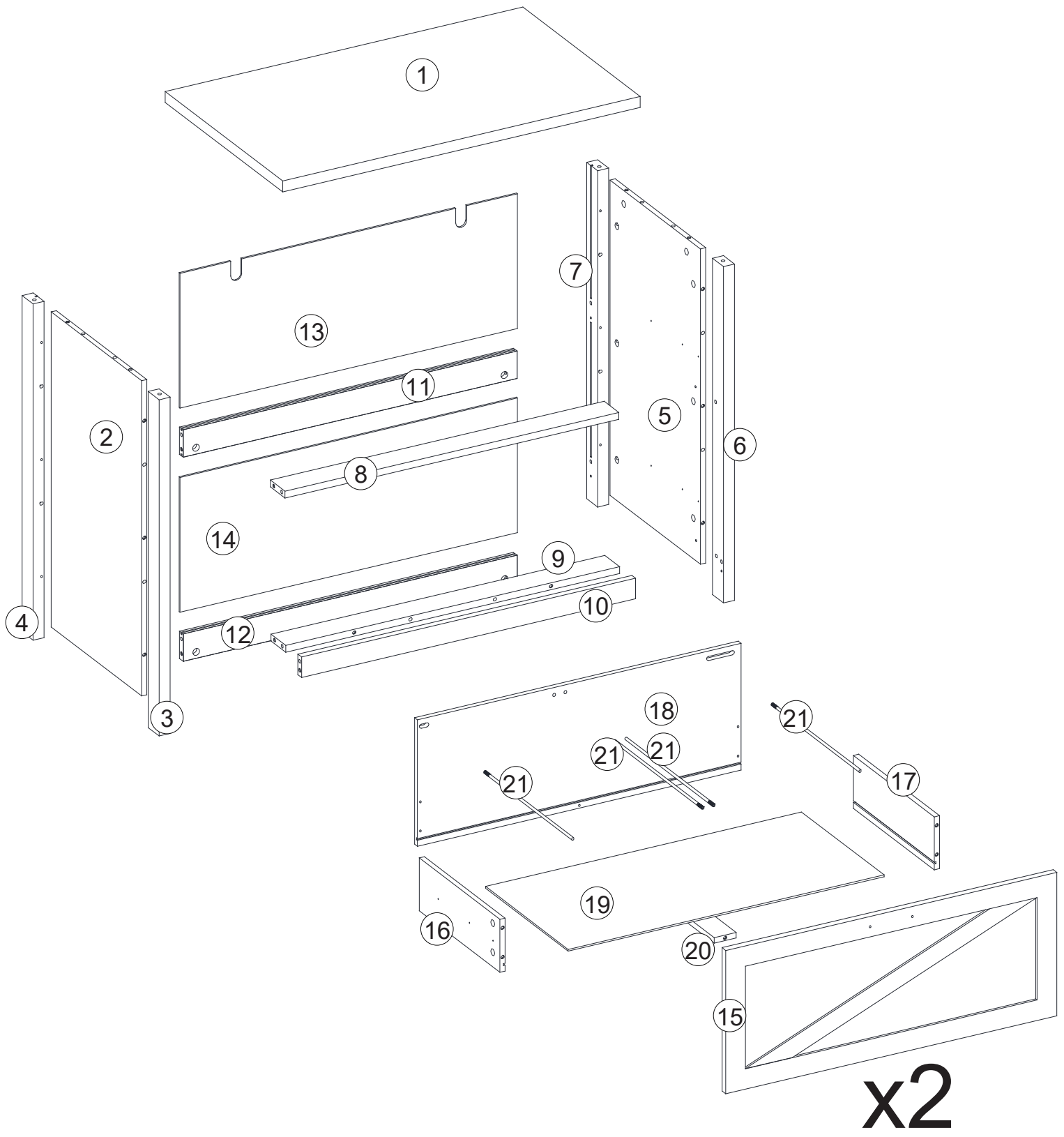
Thank you for purchasing our products. Committed to providing customers with the best quality products and service has always been our lifelong goal. Before using the product, please read this instruction manual carefully to ensure correct use. Keep the instruction manual in a place where the user can find it at any time.

PRECAUTIONS

1. There are many components and accessories in the package. Each component and accessory is labeled with a letter or a number, check carefully before using any of them. Keep them away from children to prevent accidents.
Please install the product on a clean and soft underlay (such as carpet or cardboard) to avoid scratching or damaging the surface of the product.
2. prevent accidents.
3. The main components of the product is relatively heavy. Please pay attention to safety during installation.
4. The product is not stable during installation. Please do not move it randomly before it is completely installed.
5. If you have any questions during installation, please contact the customer service in time.

*PLEASE BE SURE TO FOLLOW THE INSTALLATION STEPS IN THE MANUAL TO AVOID UNNECESSARY LOSSES CAUSED BY IMPROPER INSTALLATION.

*IF YOU NEED FURTHER ASSISTANCE, PLEASE CONTACT THE CUSTOMER SERVICE ONLINE.

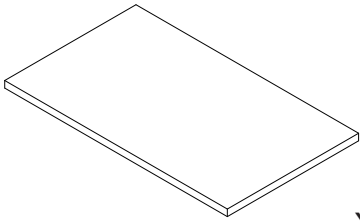


x2

PARTS LIST

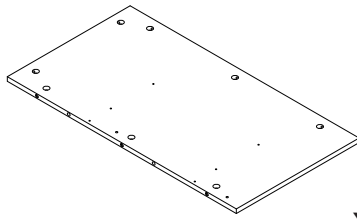
Unit(mm)

① 814x480x24



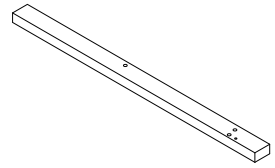
x1

② 690x370x12



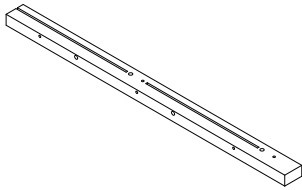
x1

③ 736x45x25



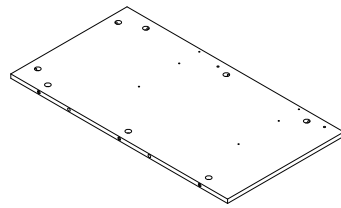
x1

④ 736x45x25



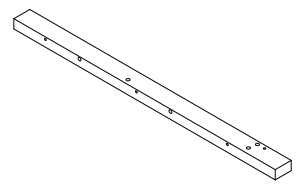
x1

⑤ 690x370x12



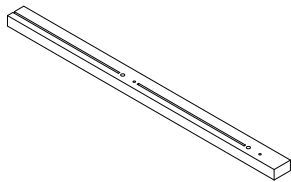
x1

⑥ 736x45x25



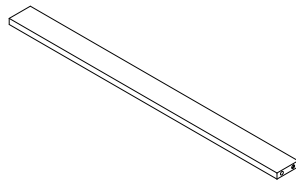
x1

⑦ 736x45x25



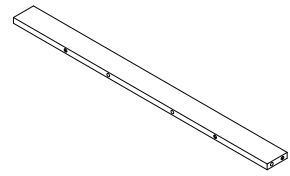
x1

⑧ 760x60x15



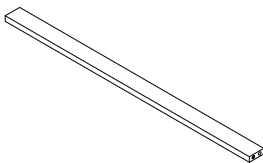
x1

⑨ 760x60x15



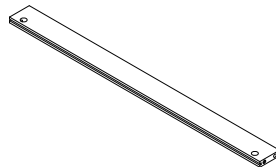
x1

⑩ 760x45x15



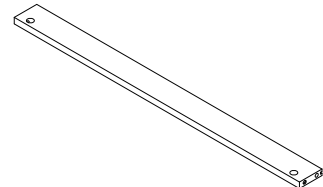
x1

⑪ 760x60x15



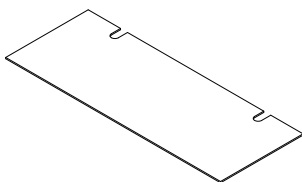
x1

⑫ 760x60x15



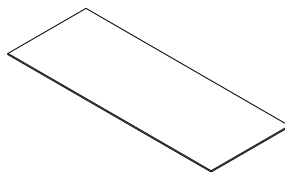
x1

⑬ 768x295x6



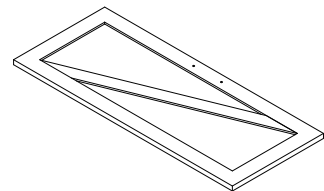
x1

⑭ 768x295x3



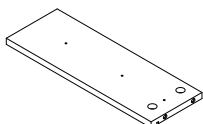
x1

⑮ 754x314x15



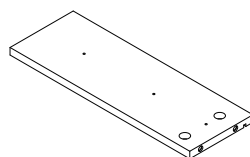
x2

⑯ 330x116x12



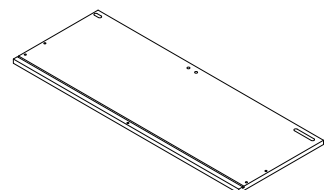
x2

⑰ 330x116x12



x2

⑱ 735x277x12

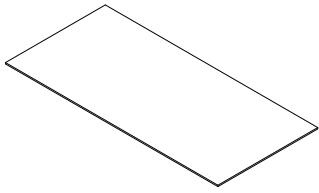


x2

PARTS LIST

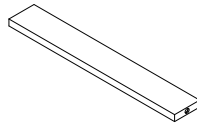
Unit(mm)

①9 719x338x3



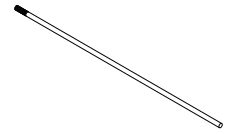
x2

②0 330x50x12



x2

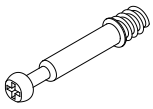
②1 Ø6x360



x8

HARDWARES LIST

A Ø6x35mm



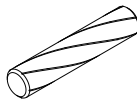
x38pcs(+2)

B Ø15x9mm



x38pcs(+2)

C Ø6x30mm



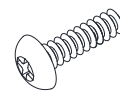
x28pcs(+2)

D



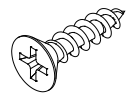
x2pcs

E M4x16mm



x4pcs

F Ø3.5x12mm



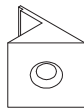
x24pcs(+2)

G Ø6x11mm



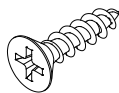
x4pcs

H



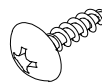
x12pcs(+1)

I Ø3x12mm



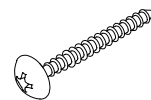
x12pcs(+1)

J Ø4x12mm



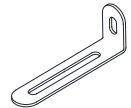
x2pcs

K Ø4x35mm



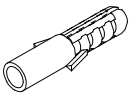
x12pcs(+2)

L



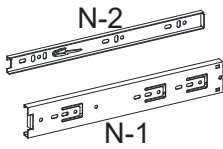
x2pcs

M



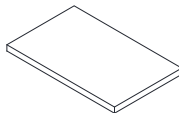
x2pcs

N

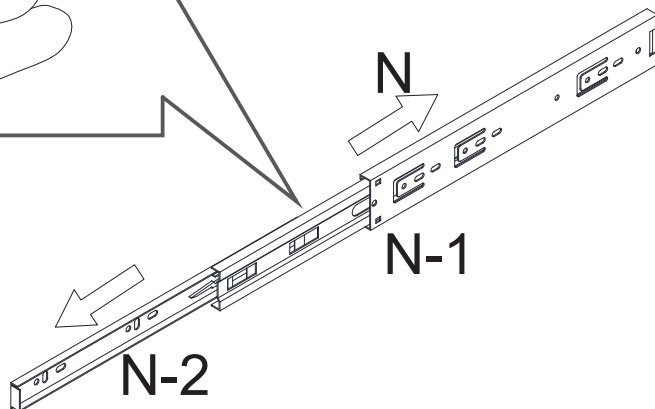
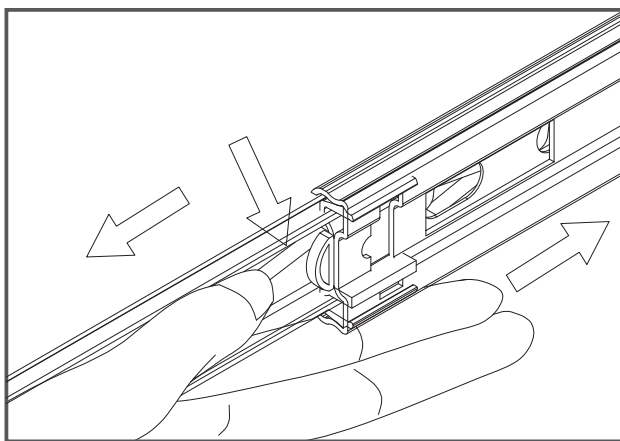


x4pcs

O 43x23mm



x4pcs

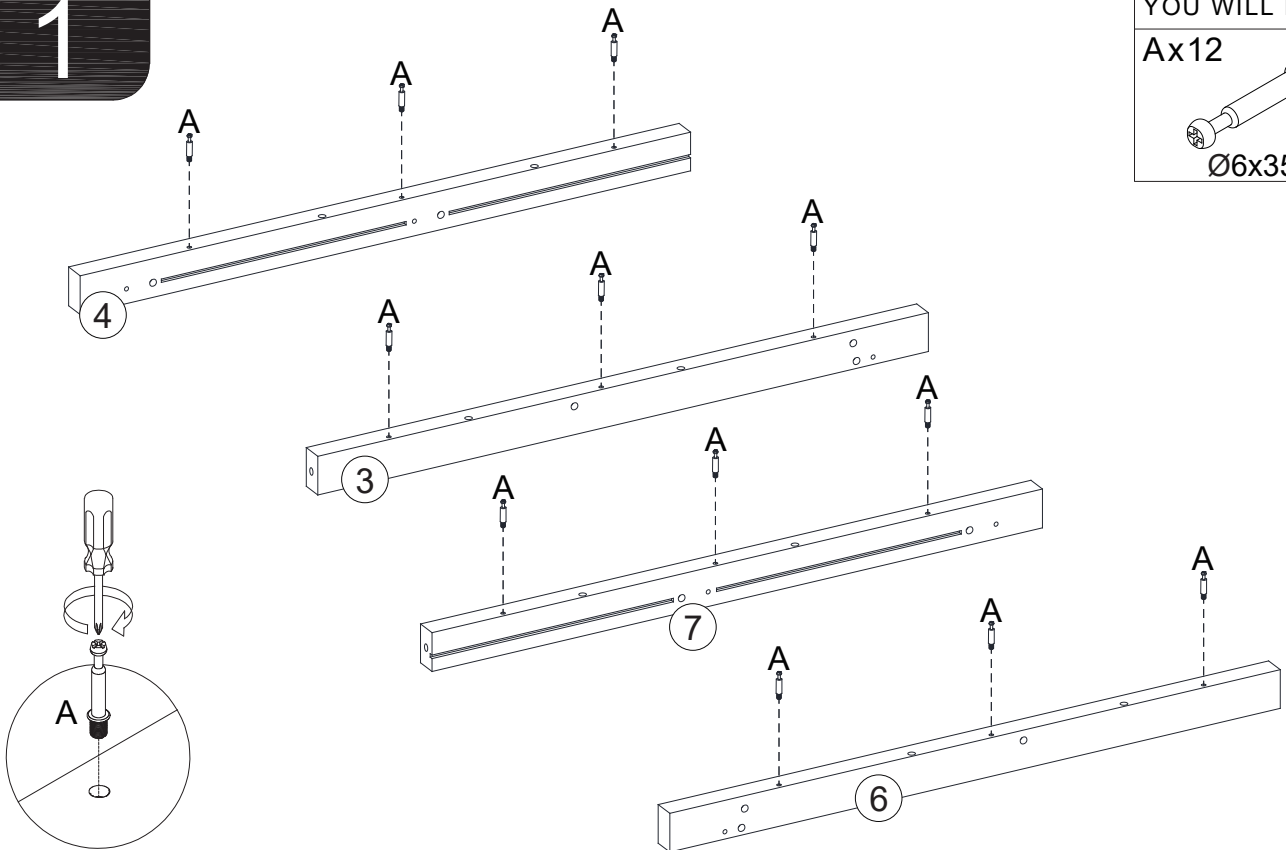
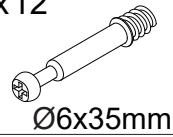


INSTALLATION STEPS

1

YOU WILL NEED

Ax12



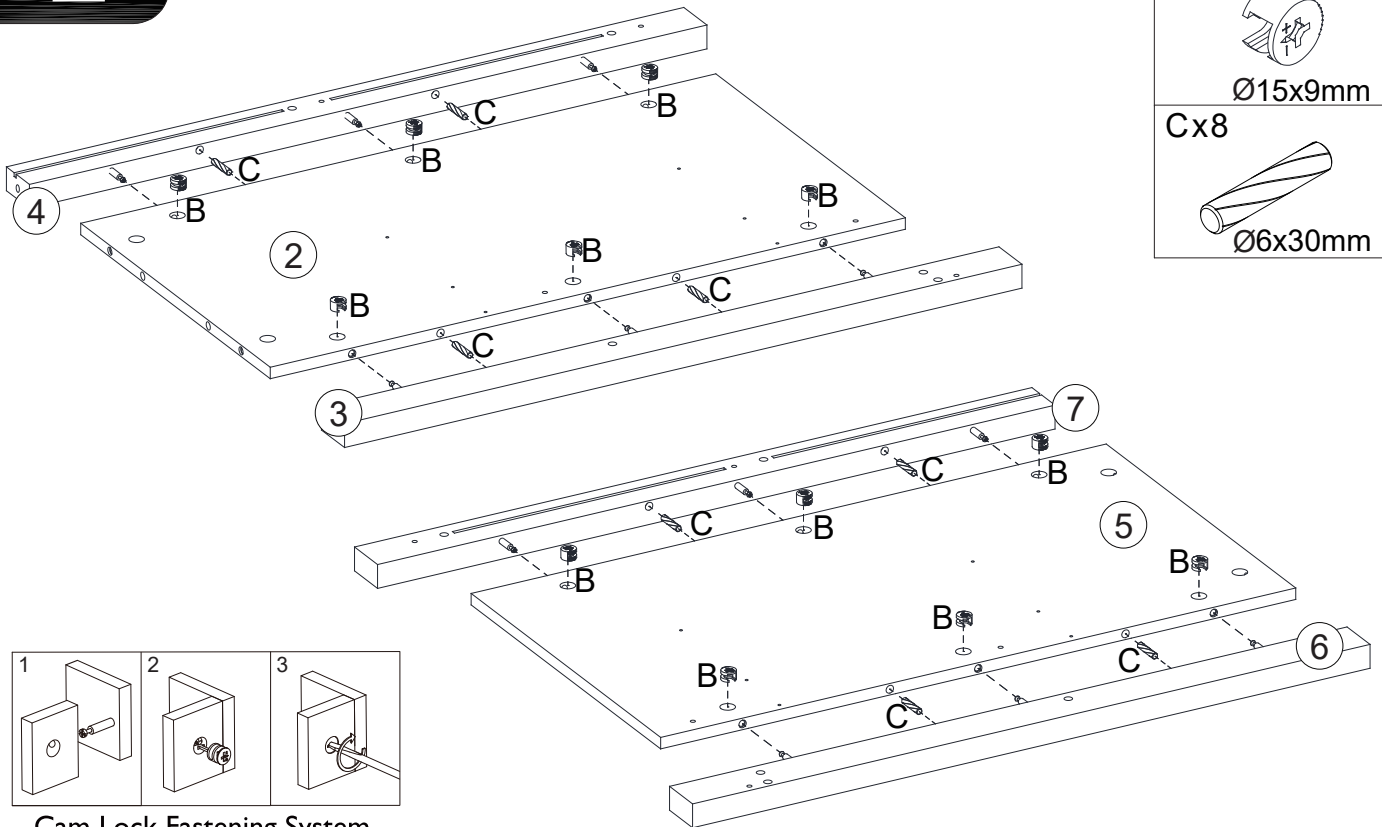
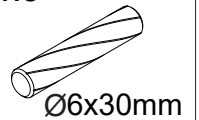
2

YOU WILL NEED

Bx12



Cx8



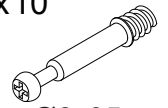
Cam Lock Fastening System

INSTALLATION STEPS

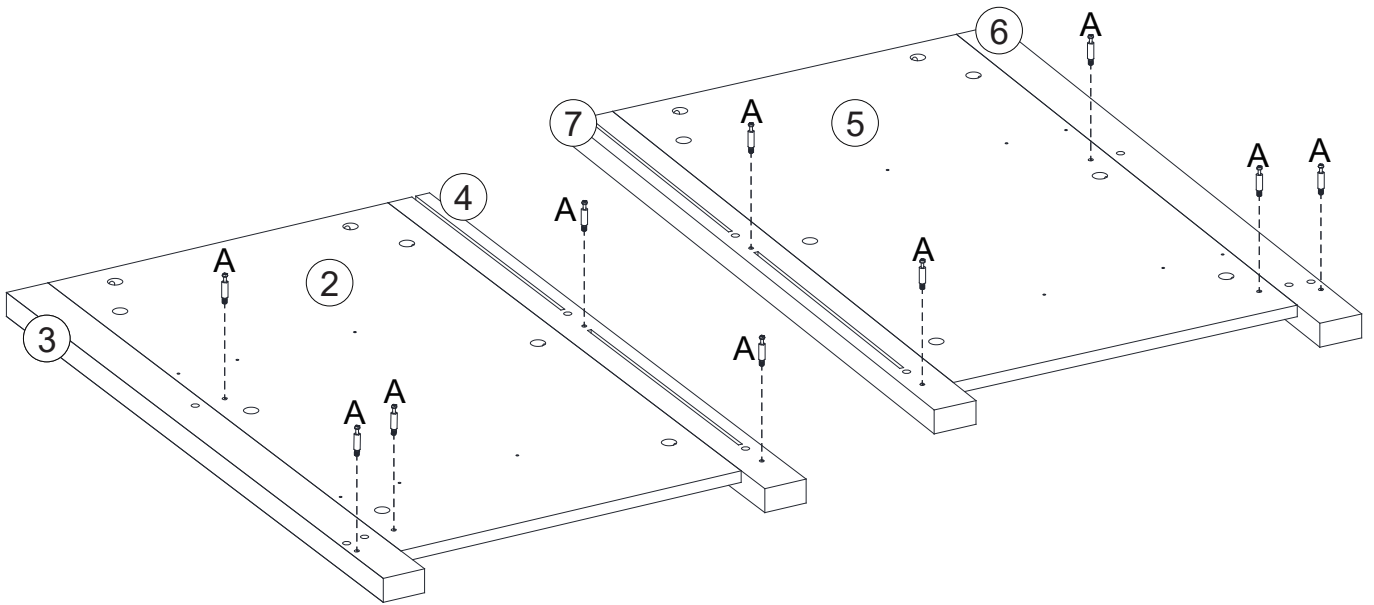
3

YOU WILL NEED

Ax10



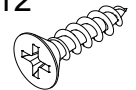
Ø6x35mm



4

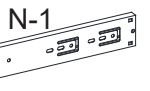
YOU WILL NEED

Fx12



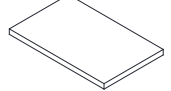
Ø3.5x12mm

Nx4

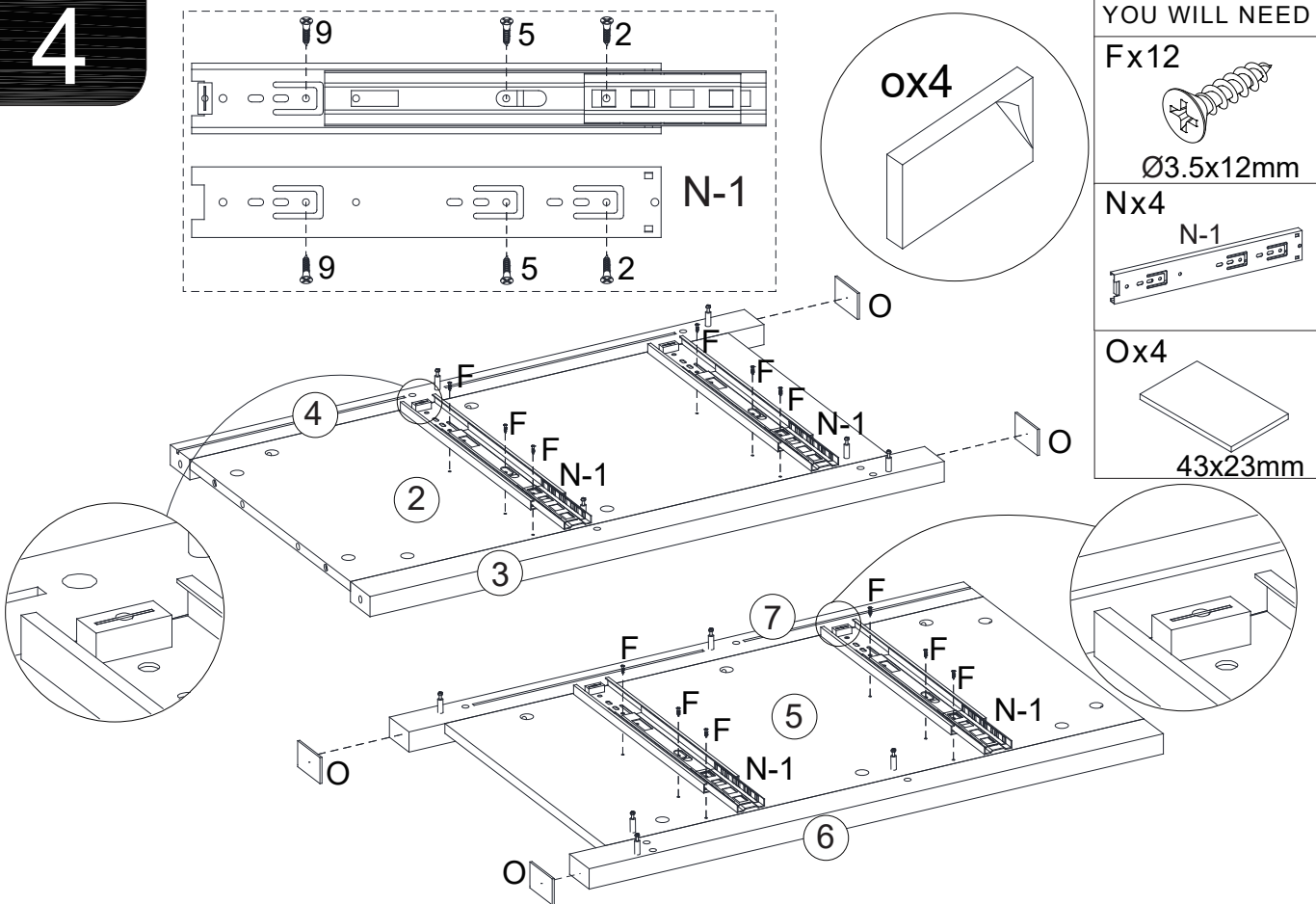


N-1

Ox4

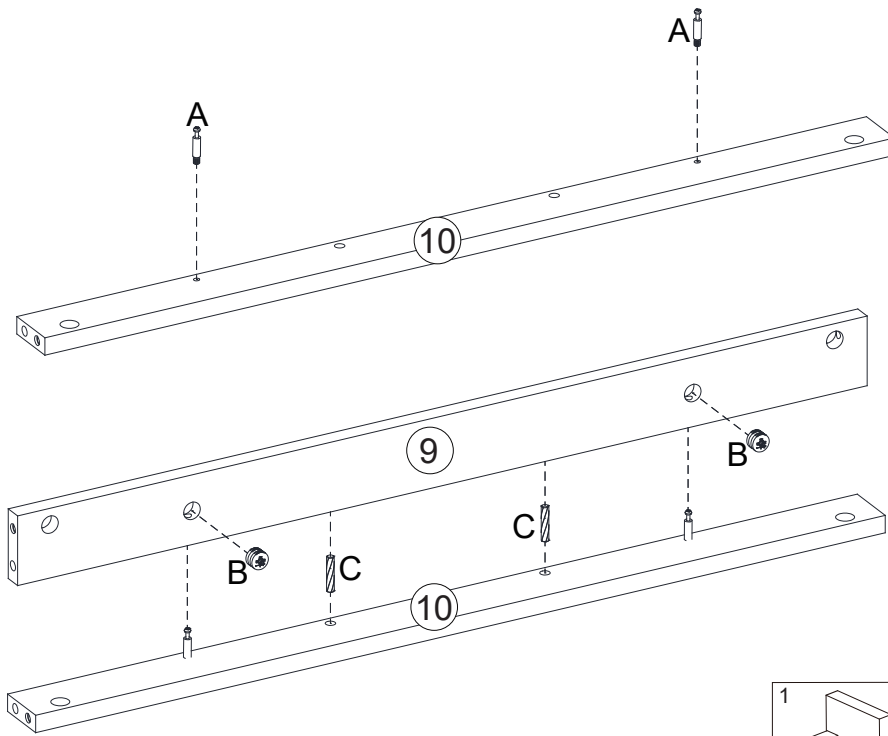
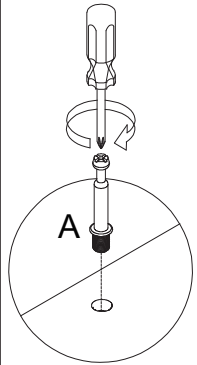


43x23mm



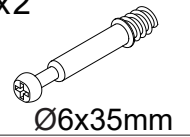
INSTALLATION STEPS

5



YOU WILL NEED

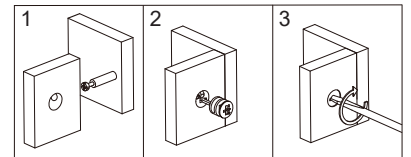
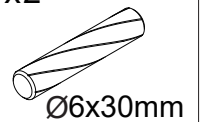
Ax2



Bx2

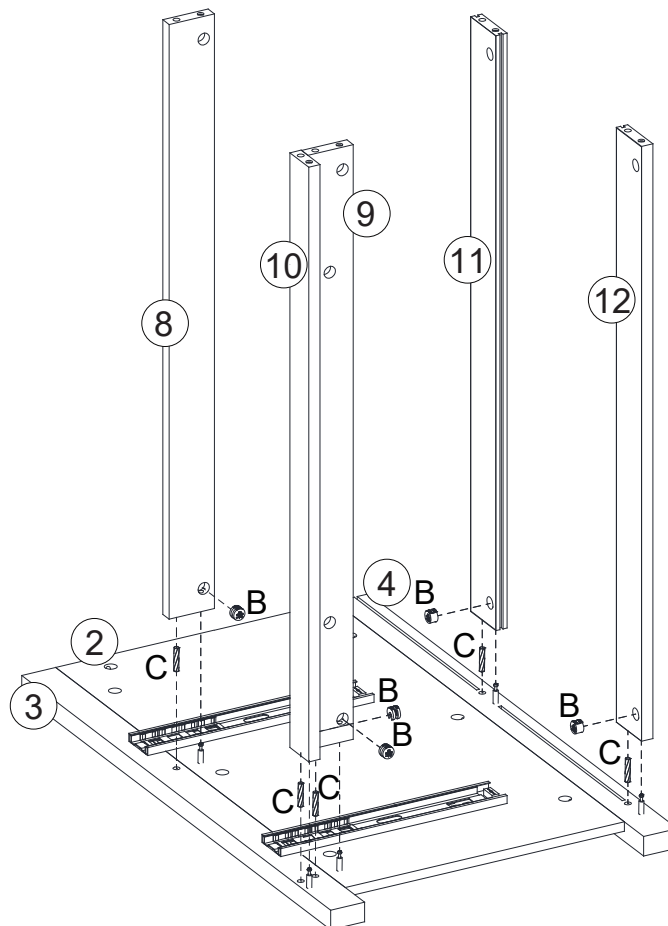


Cx2



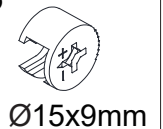
Cam Lock Fastening System

6

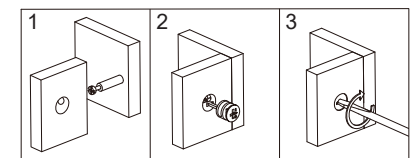


YOU WILL NEED

Bx5



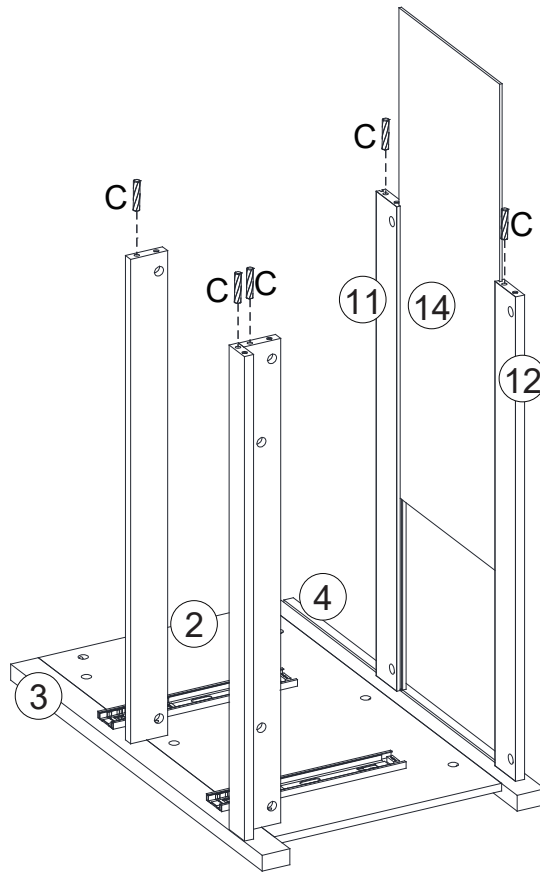
Cx5



Cam Lock Fastening System

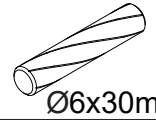
INSTALLATION STEPS

7

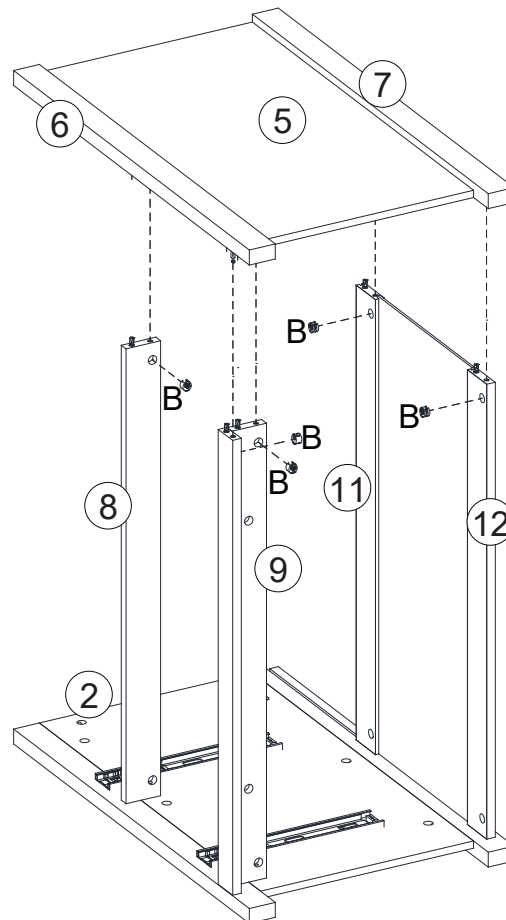


YOU WILL NEED

Cx5

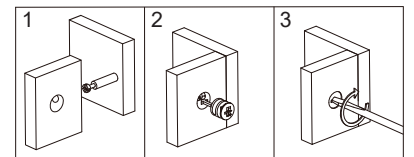


8



YOU WILL NEED

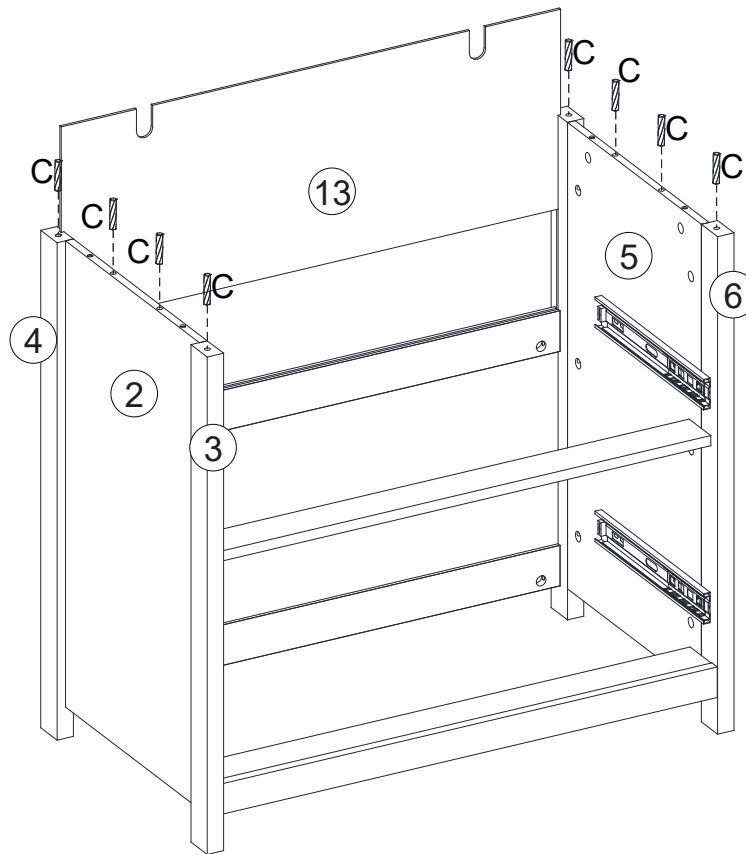
Bx5



Cam Lock Fastening System

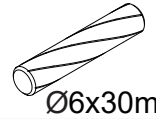
INSTALLATION STEPS

9



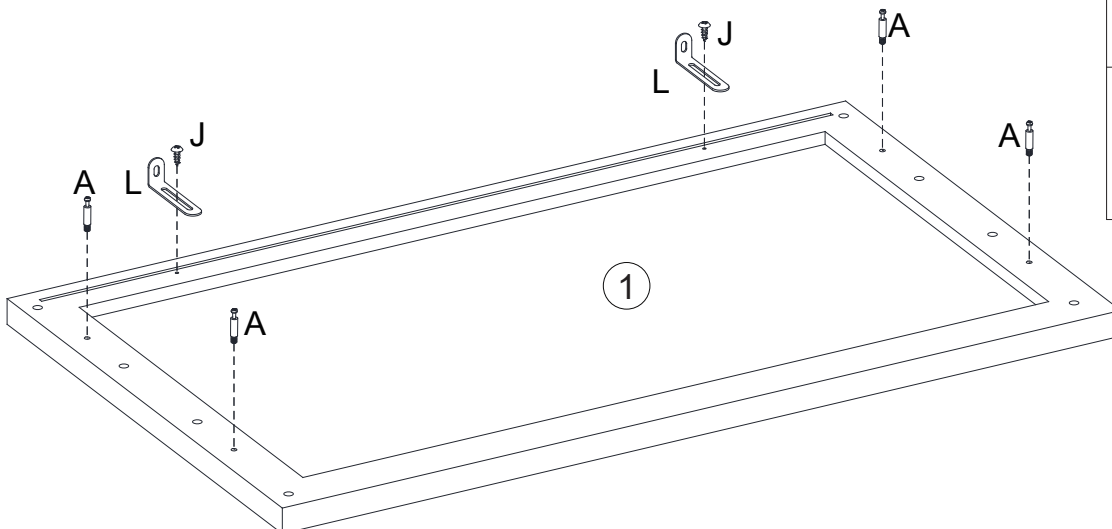
YOU WILL NEED

Cx8



Ø6x30mm

10



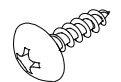
YOU WILL NEED

Ax4



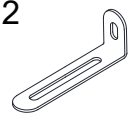
Ø6x35mm

Jx2



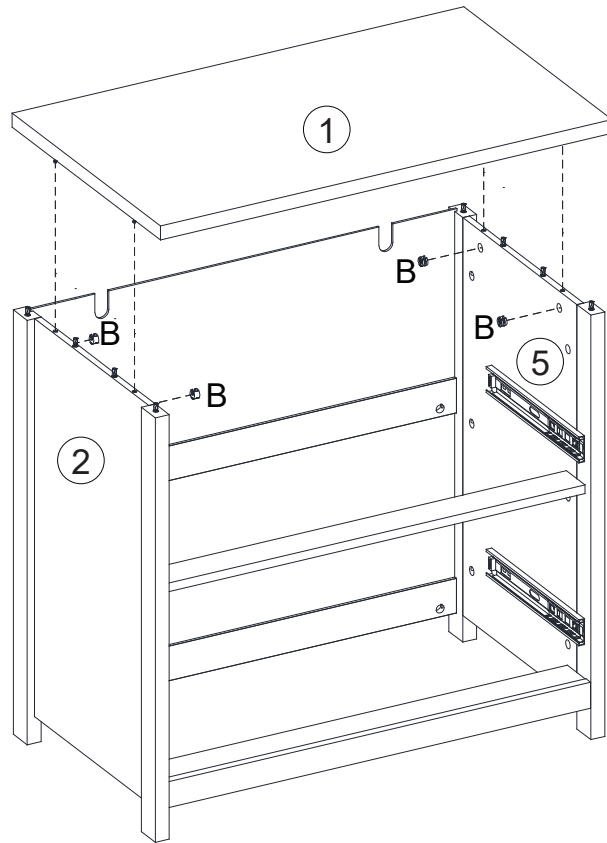
Ø4x12mm

Lx2



INSTALLATION STEPS

11



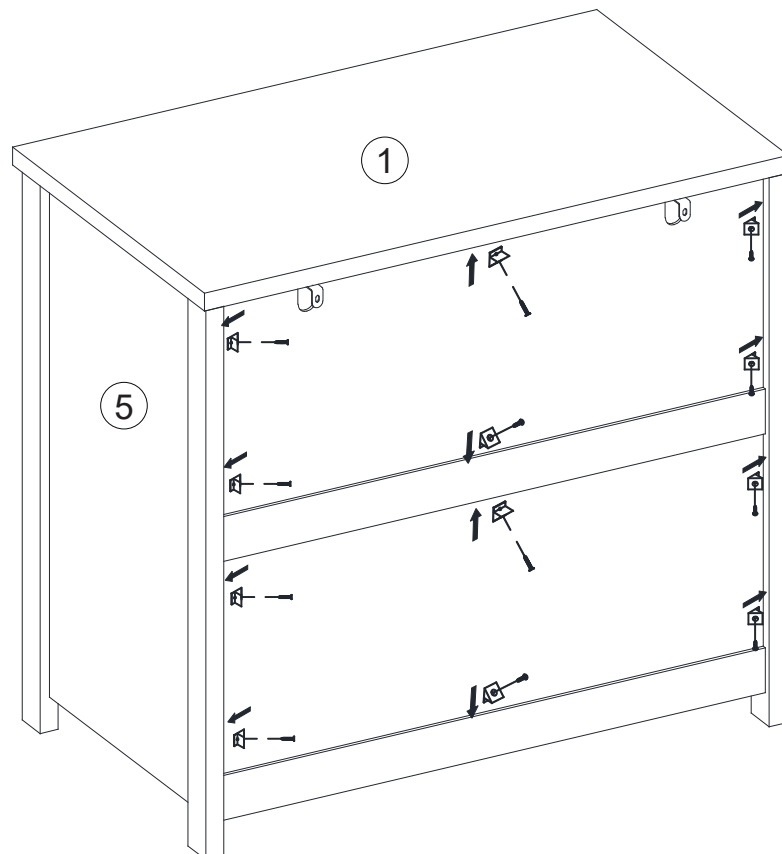
YOU WILL NEED

Bx4



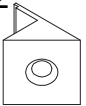
Ø15x9mm

12

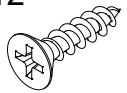


YOU WILL NEED

Hx12



Ix12



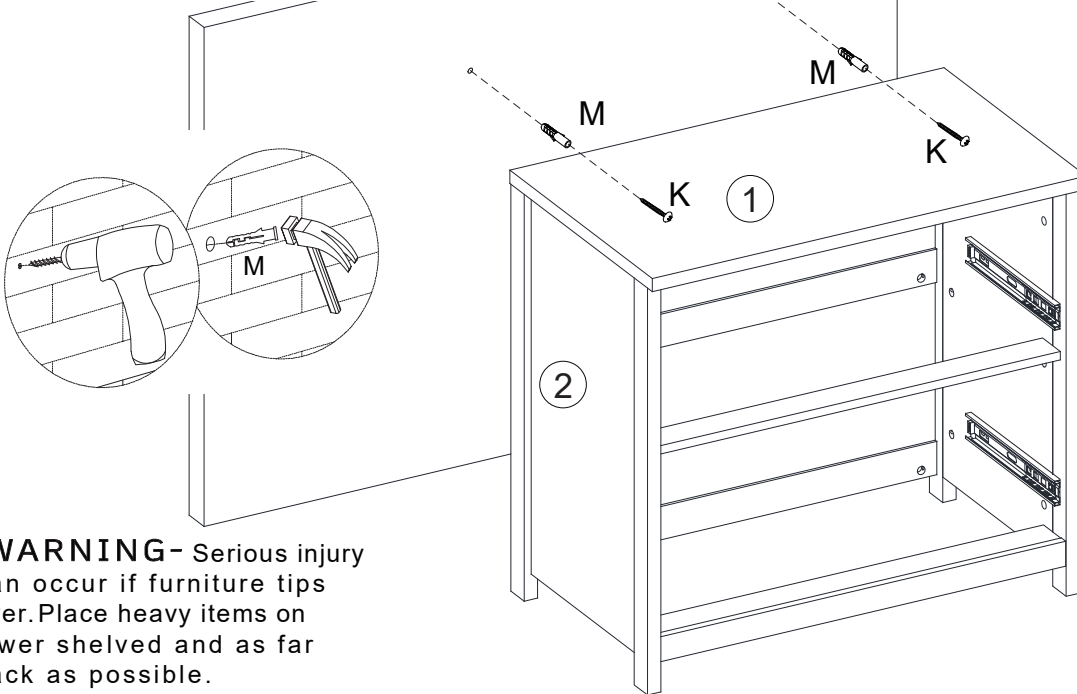
Ø3x12mm

INSTALLATION STEPS

13

IMPORTANT!

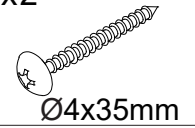
For safety reasons, we recommend that you install the anti-tip accessory by following the instructions below. If installed correctly, this accessory may prevent the unit from accidentally tipping over.



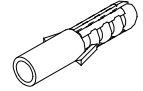
-WARNING- Serious injury can occur if furniture tips over. Place heavy items on lower shelved and as far back as possible.

YOU WILL NEED

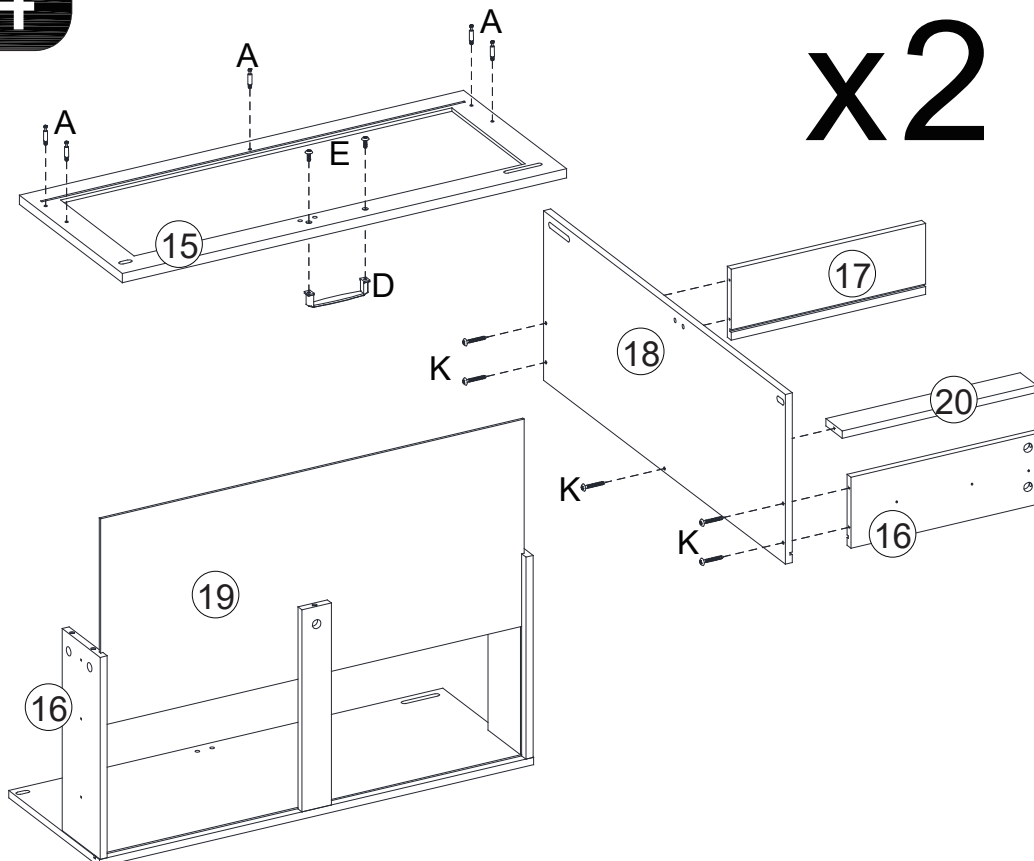
Kx2



Mx2

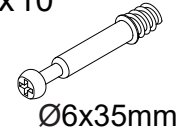


14



YOU WILL NEED

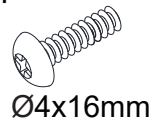
Ax10



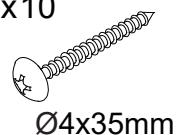
Dx2



Ex4

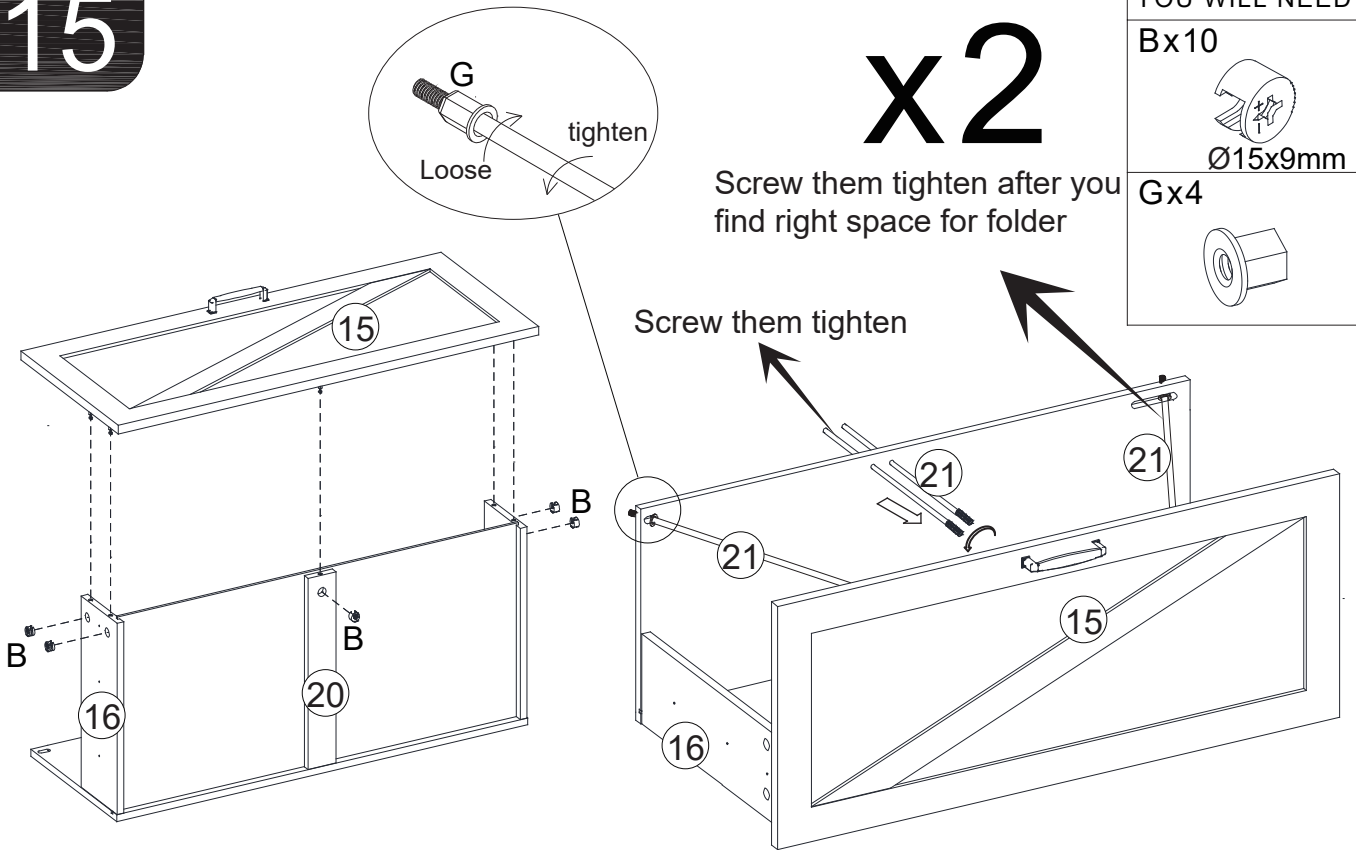


Kx10

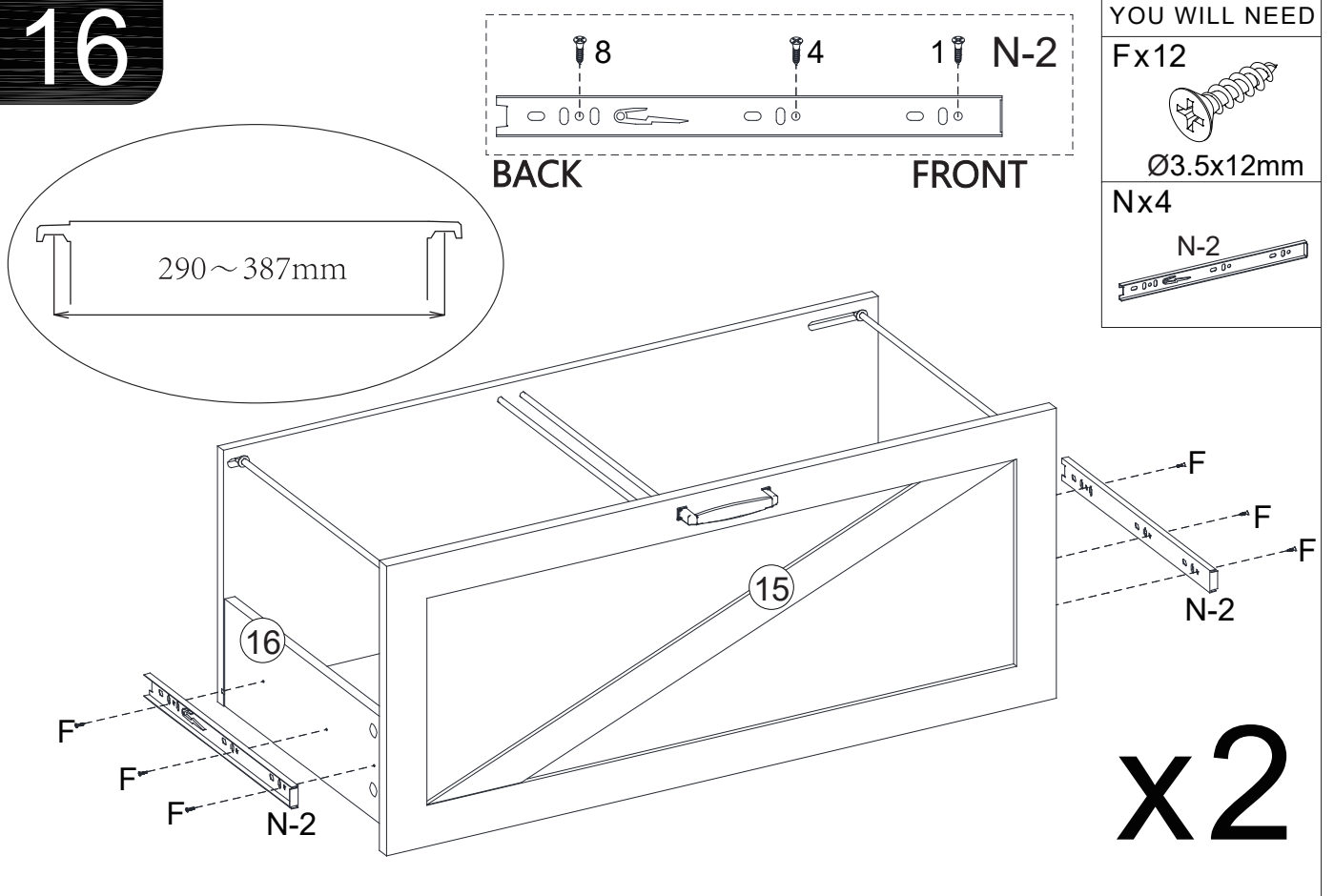


INSTALLATION STEPS

15

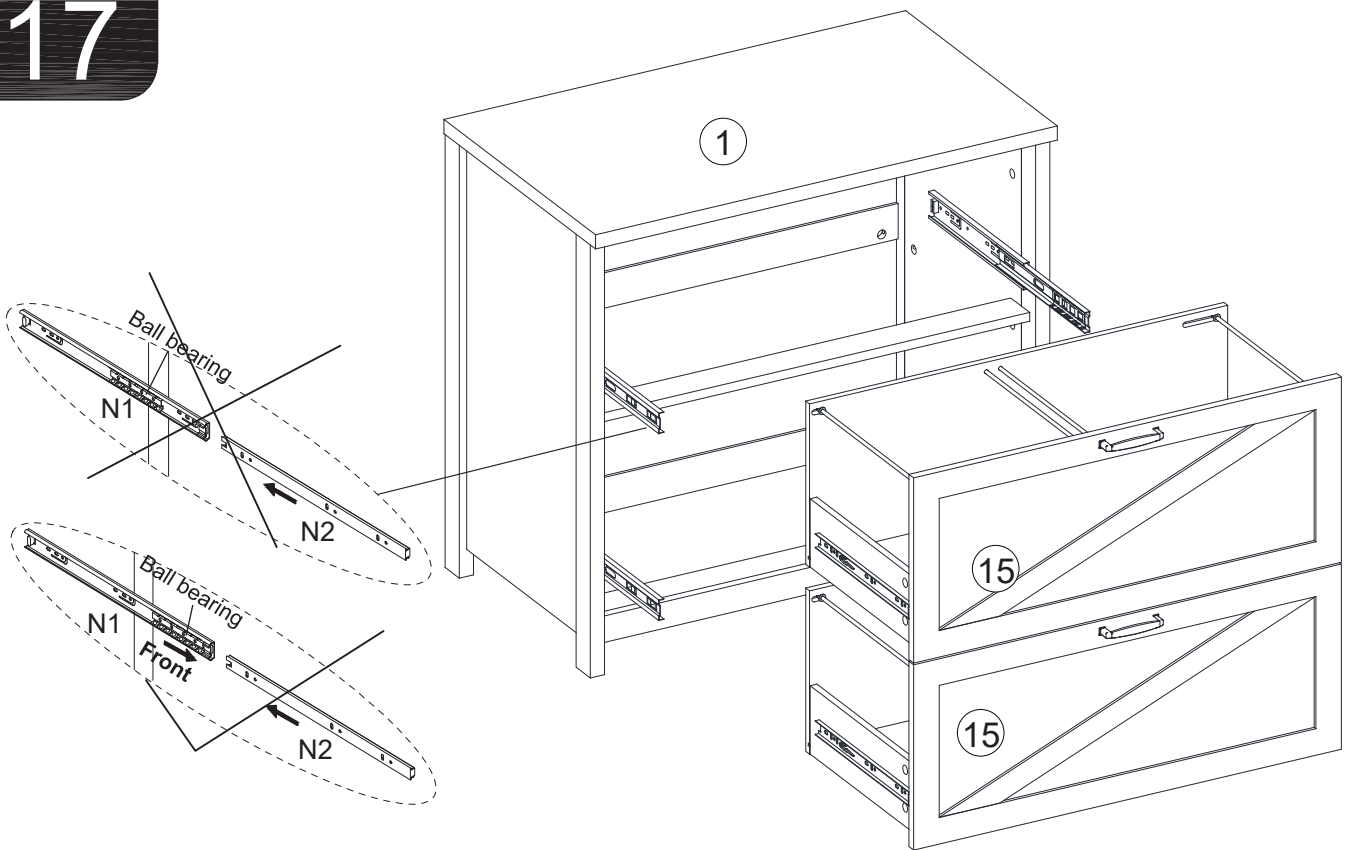


16



INSTALLATION STEPS

17



18

